



US00D357844S

United States Patent [19] Ho

[11] Patent Number: **Des. 357,844**

[45] Date of Patent: **** May 2, 1995**

[54] **CONTAINER FOR DISKETTE**
[75] Inventor: **Patrick T. Ho, Kwai Chung, Hong Kong**
[73] Assignee: **STD Electronic International Ltd., Hong Kong, Hong Kong**

D. 287,425 12/1986 Kirchner D19/76
D. 308,914 7/1990 Chow D6/634
D. 313,500 1/1991 Chow D6/634
D. 338,331 8/1993 Kin-Man Tse D19/76 X
D. 343,641 1/1994 Hafendehl et al. D19/76 X
D. 346,691 5/1994 Tse D6/634
4,117,931 10/1978 Berkman 206/387

[**] Term: **14 Years**
[21] Appl. No.: **5,084**
[22] Filed: **Feb. 22, 1993**

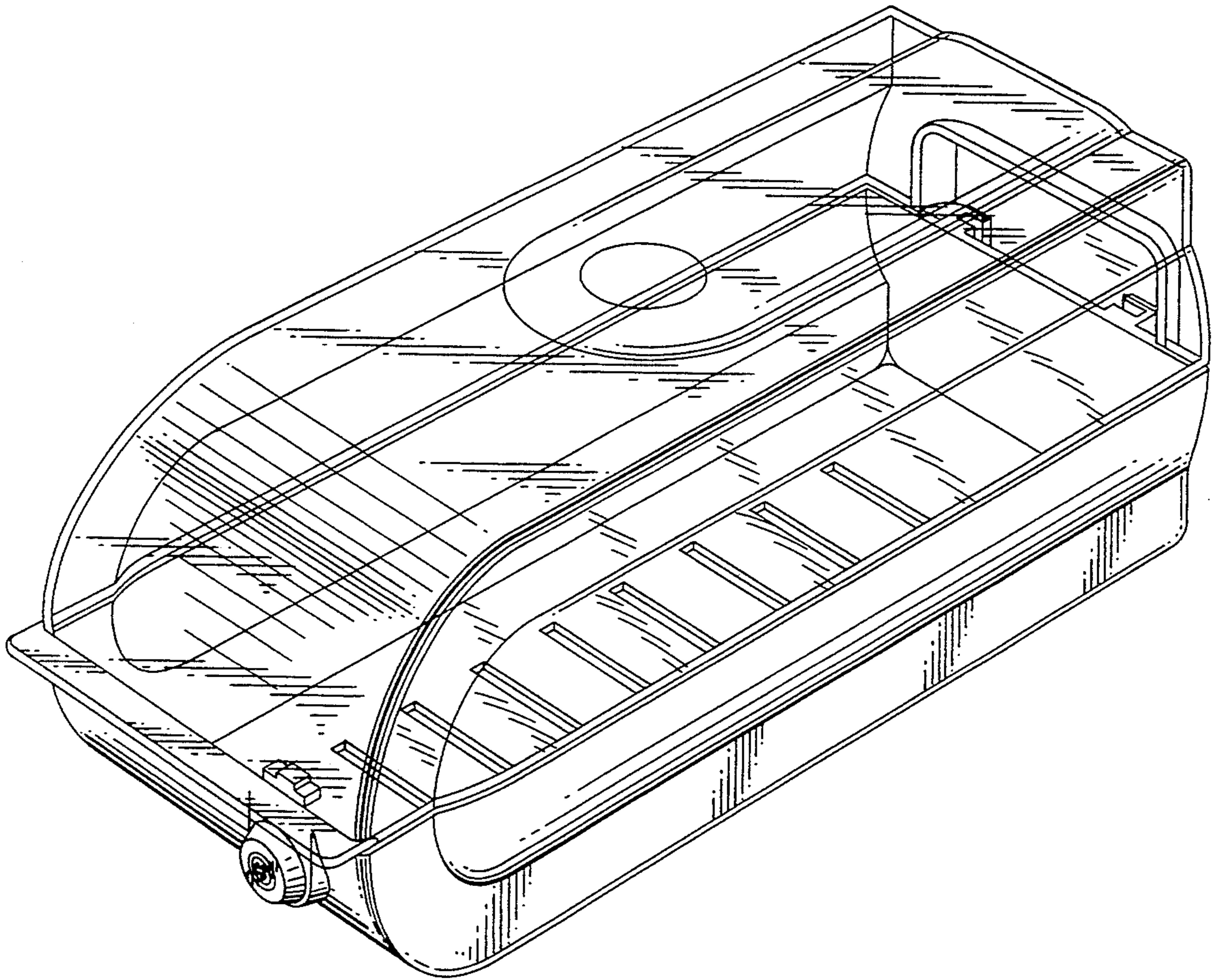
Primary Examiner—Martie Thompson
Attorney, Agent, or Firm—Burns, Doane, Swecker & Mathis

[30] **Foreign Application Priority Data**
Aug. 24, 1992 [GB] United Kingdom 2025209
[52] U.S. Cl. **D6/634; D19/75; D19/76**
[58] **Field of Search** D6/407, 634; D19/65, D19/75, 76, 78, 86, 90, 91, 95, 99, 100; 206/387, 561, 564, 425; 211/40

[57] **CLAIM**
The ornamental design for container for diskette, as shown and described.

[56] **References Cited**
U.S. PATENT DOCUMENTS
D. 266,526 10/1982 Raine D19/76
D. 284,204 6/1986 Kirchner D19/90 X

DESCRIPTION
FIG. 1 is a front elevational view of a container for diskettes showing my new design;
FIG. 2 is a rear elevational view thereof;
FIG. 3 is a left side view thereof;
FIG. 4 is a right side view thereof;
FIG. 5 is a top plan view thereof;
FIG. 6 is a bottom plan view thereof; and,
FIG. 7 is a top, front perspective view thereof.



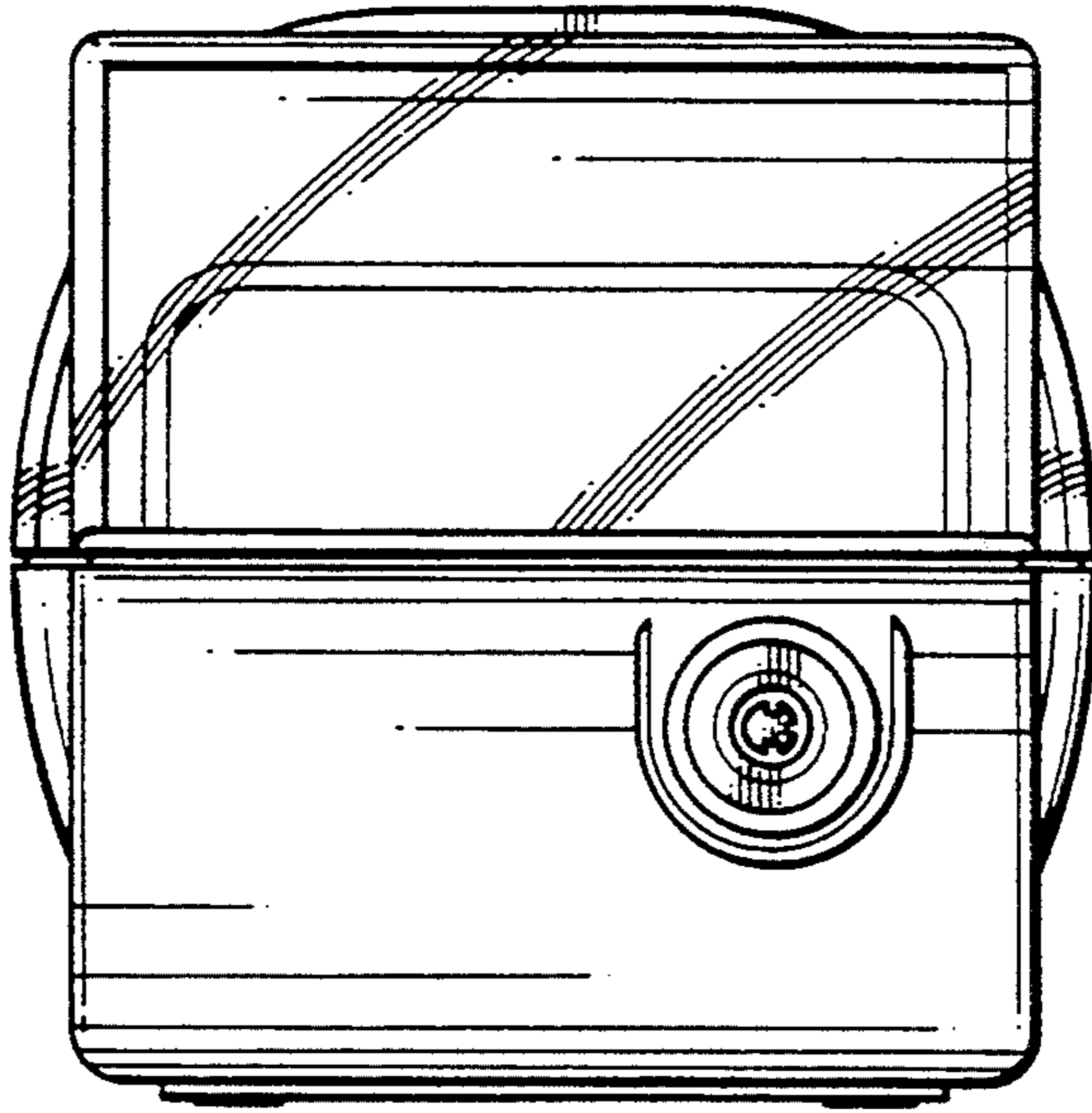


FIG. 1

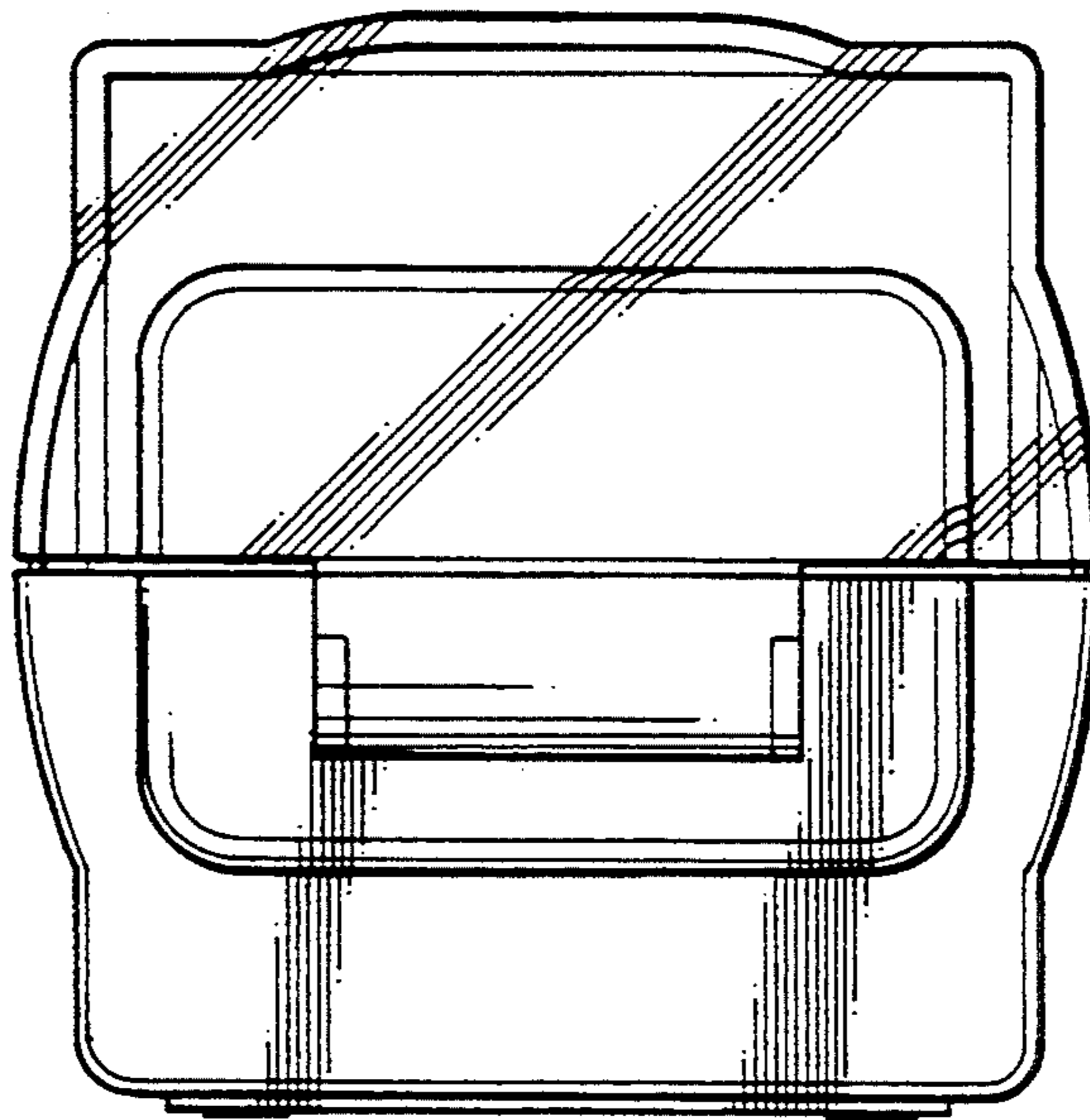


FIG. 2

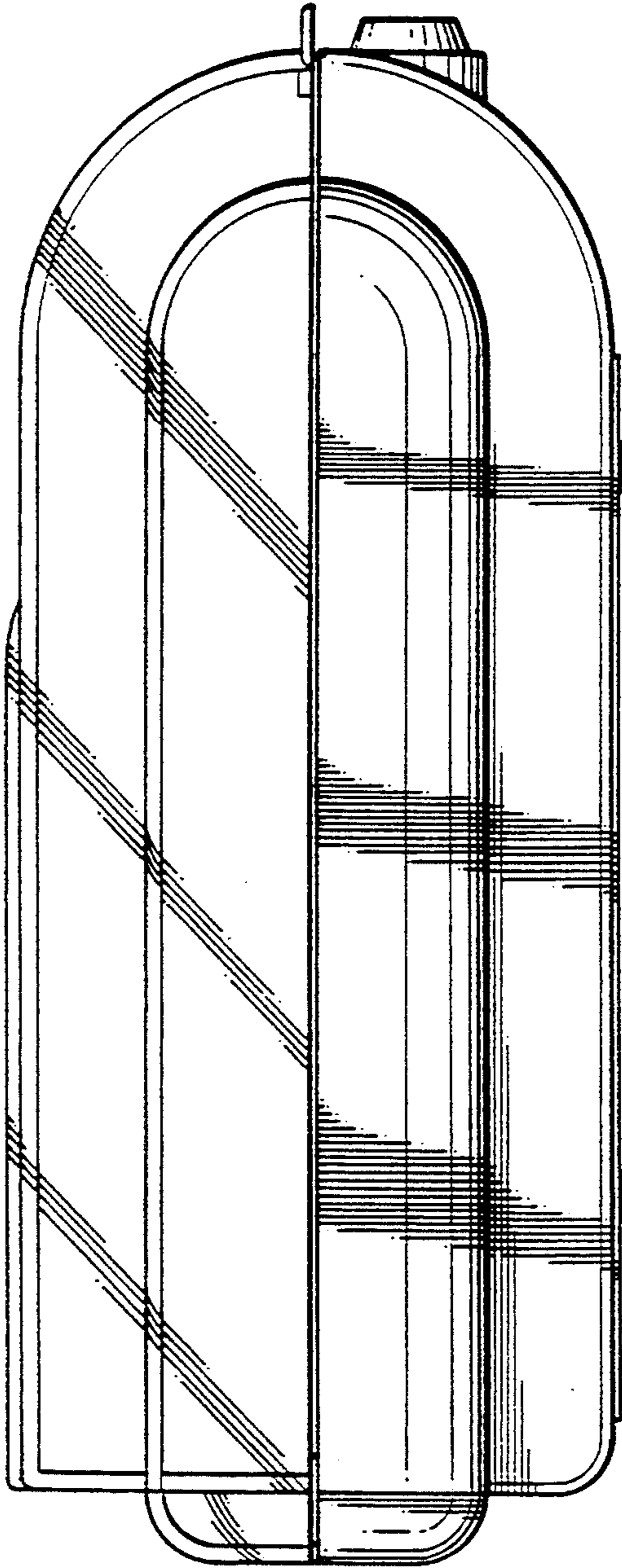


FIG. 3

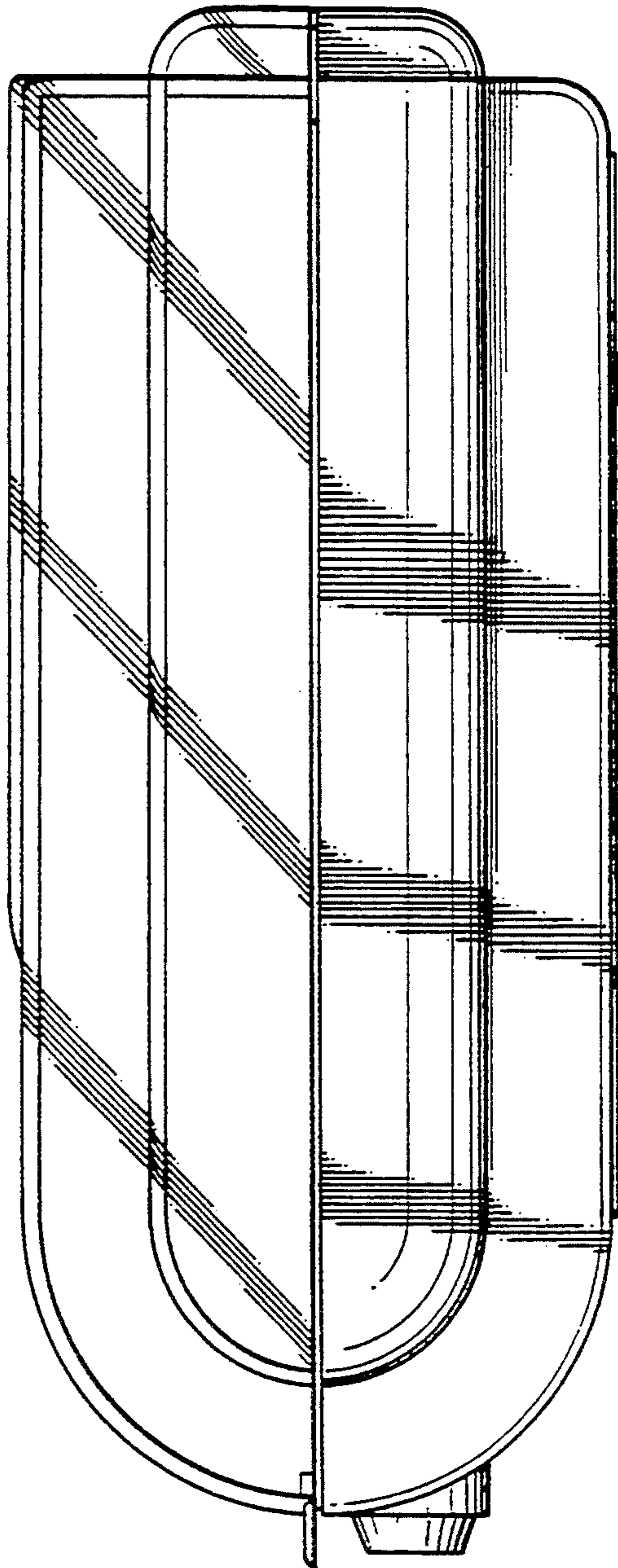


FIG. 4

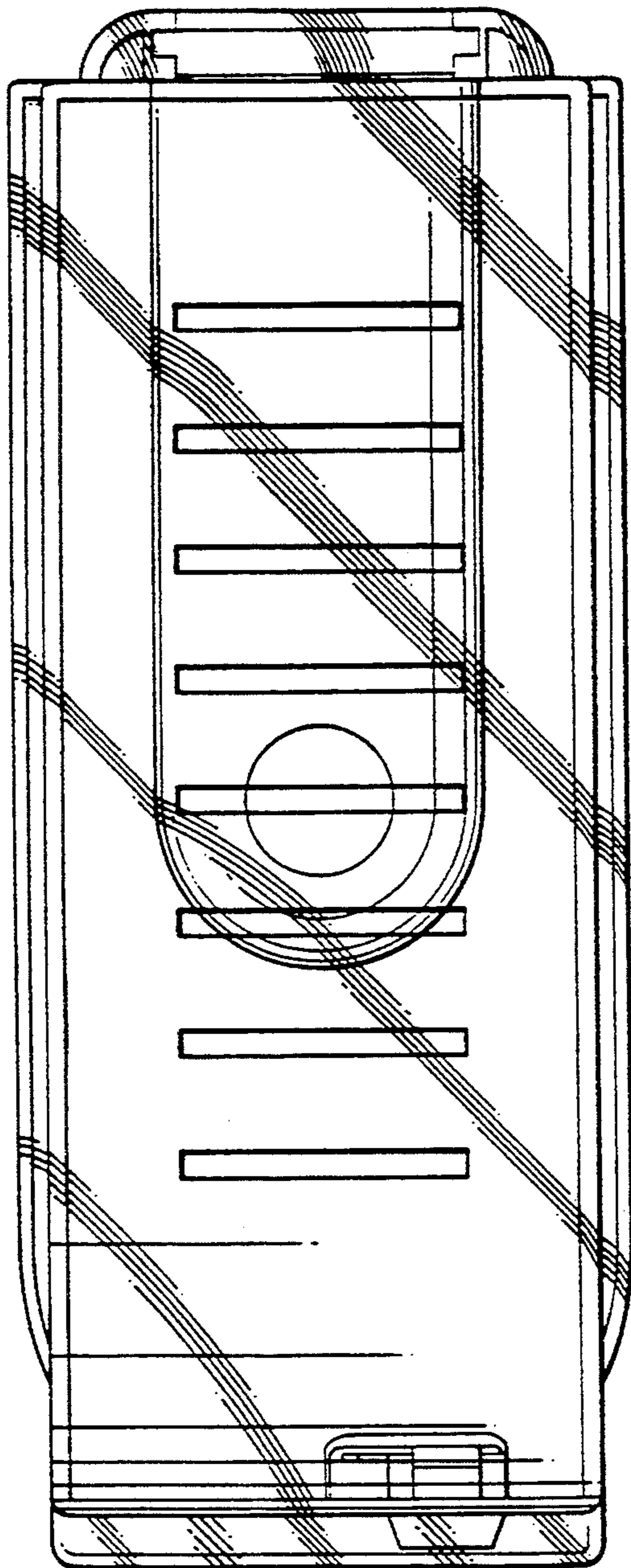


FIG. 5

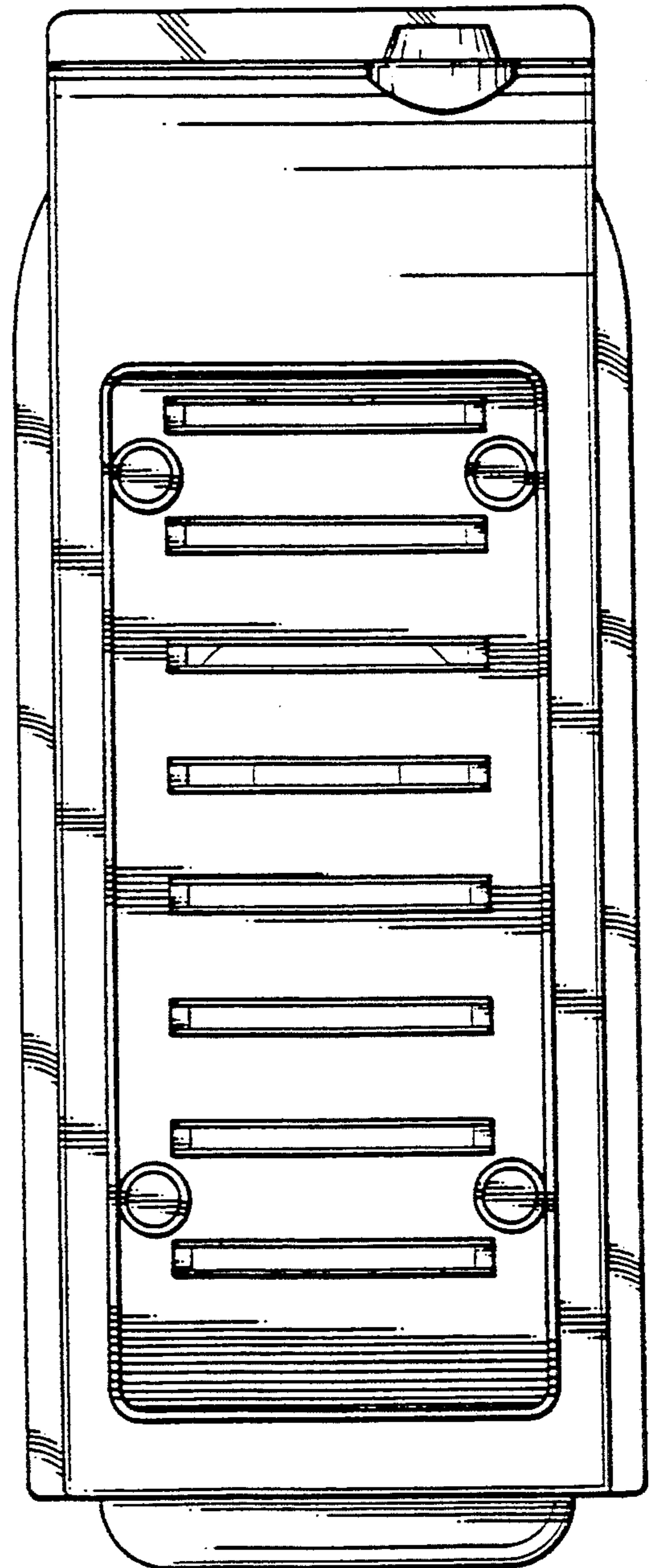


FIG. 6

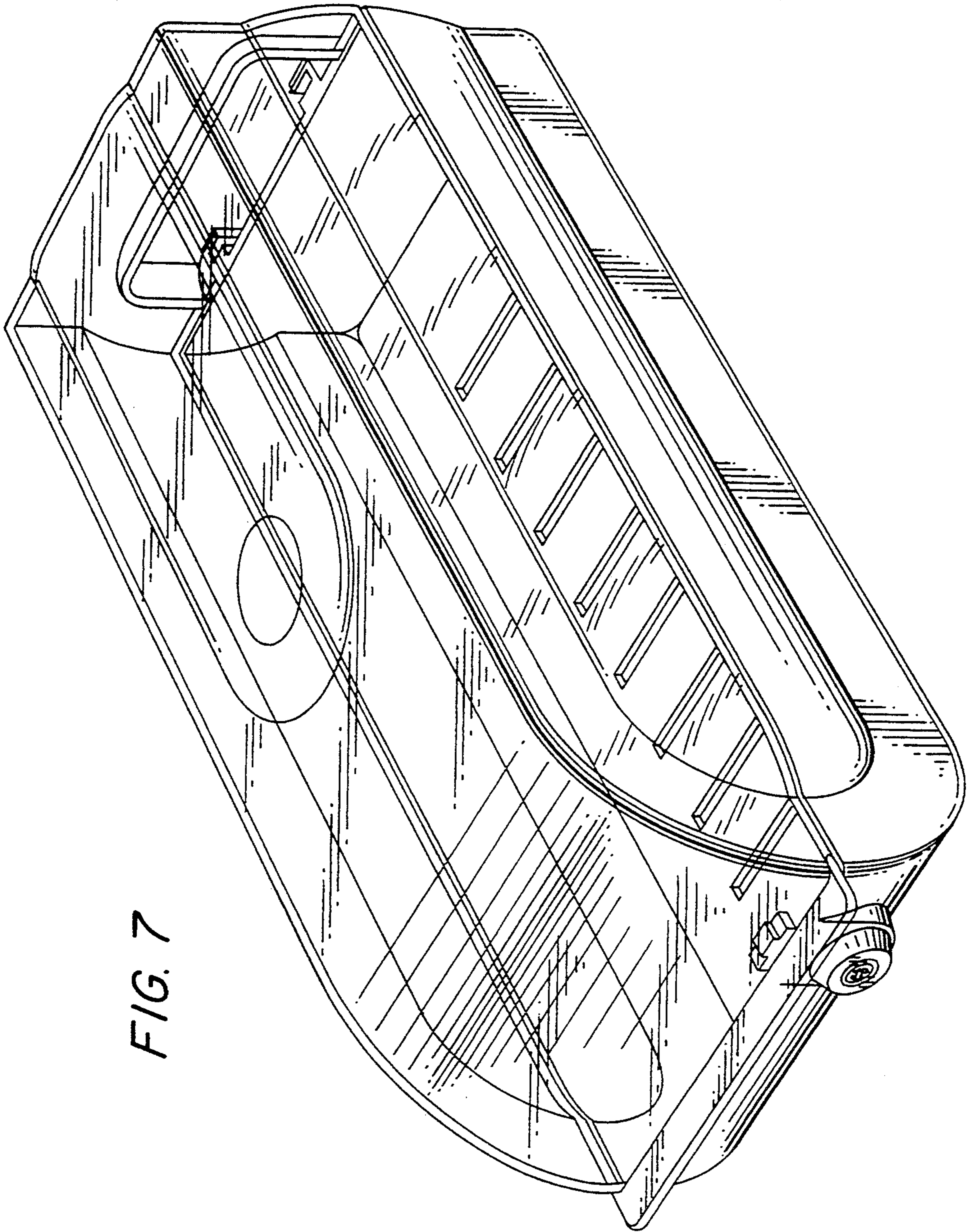


FIG. 7