



US00D357840S

# United States Patent [19]

[11] Patent Number: **Des. 357,840**

Lehn et al.

[45] Date of Patent: **\*\* May 2, 1995**

[54] **TOWEL BAR**

[75] Inventors: **John S. Lehn**, Reading; **Leslie A. Meck**, Blandon; **Julie A. Pirsch**, Wayne, all of Pa.

[73] Assignee: **Baldwin Hardware Corporation**, Reading, Pa.

[\*\*] Term: **14 Years**

[21] Appl. No.: **14,377**

[22] Filed: **Oct. 20, 1993**

[52] U.S. Cl. .... **D6/549**

[58] Field of Search ..... **D6/546-550;**  
211/16, 86-87, 123

[56] **References Cited**

**U.S. PATENT DOCUMENTS**

D. 286,963	12/1986	Waghorn .....	D6/549
D. 296,637	7/1988	Fayerman et al. .	
D. 299,096	12/1988	Fayerman et al. .	
D. 299,099	12/1988	Gresens et al. ....	D6/550
D. 329,559	9/1992	Paul .....	D6/546
D. 348,509	7/1994	Bollenbacher .....	D6/550 X
D. 349,208	8/1994	Bollenbacher .....	D6/550

**OTHER PUBLICATIONS**

Baldwin Bath "Epic Accessories" Catalogue, Georgetown Style fixtures, p. 3.  
Gatco Bathroom Accessories.  
Hamilton Collection Solid Brass.  
Cleopatra.  
Harrington Traditional.  
Brighton.  
Classica Collection—Melard Corp.

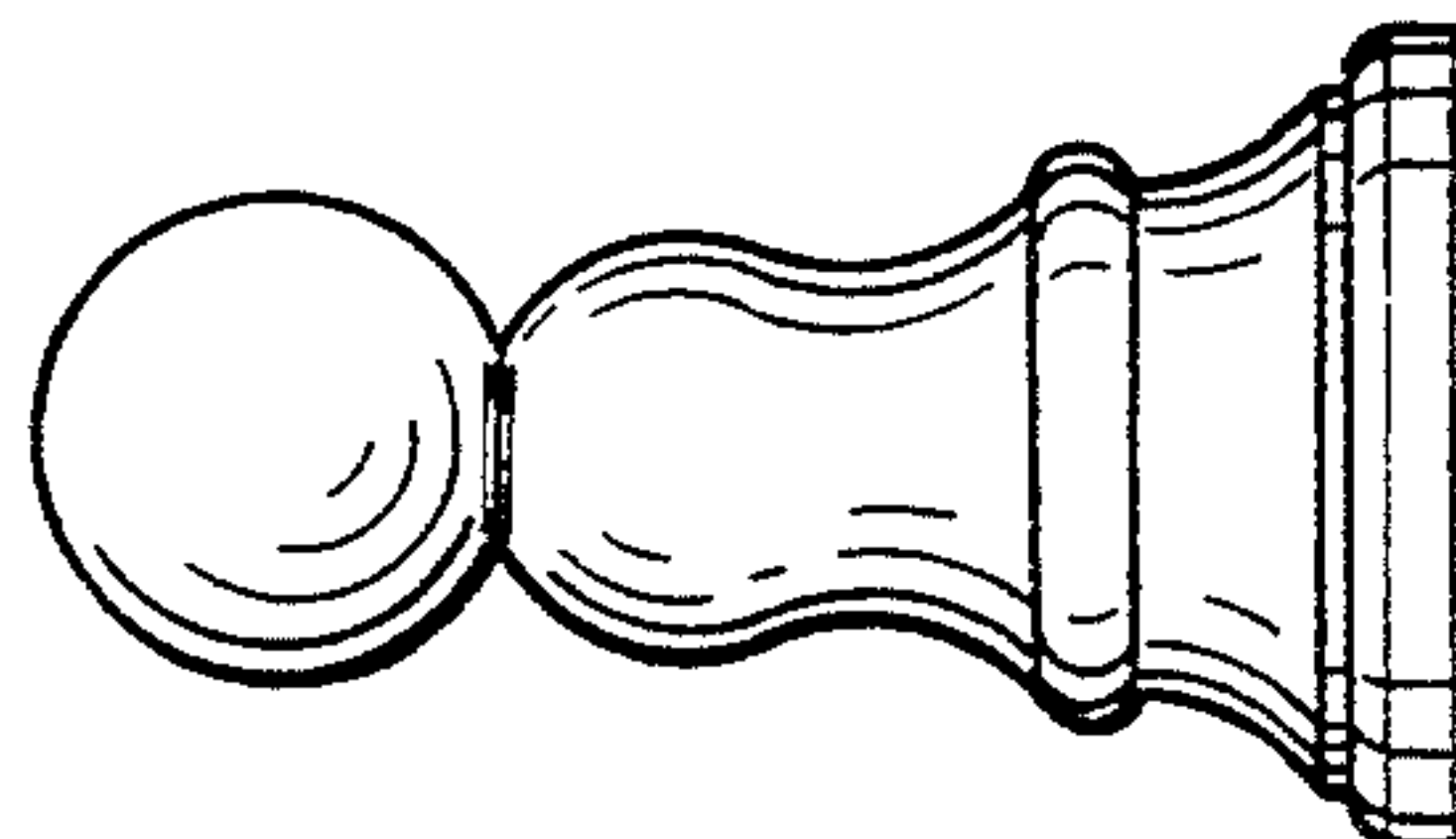
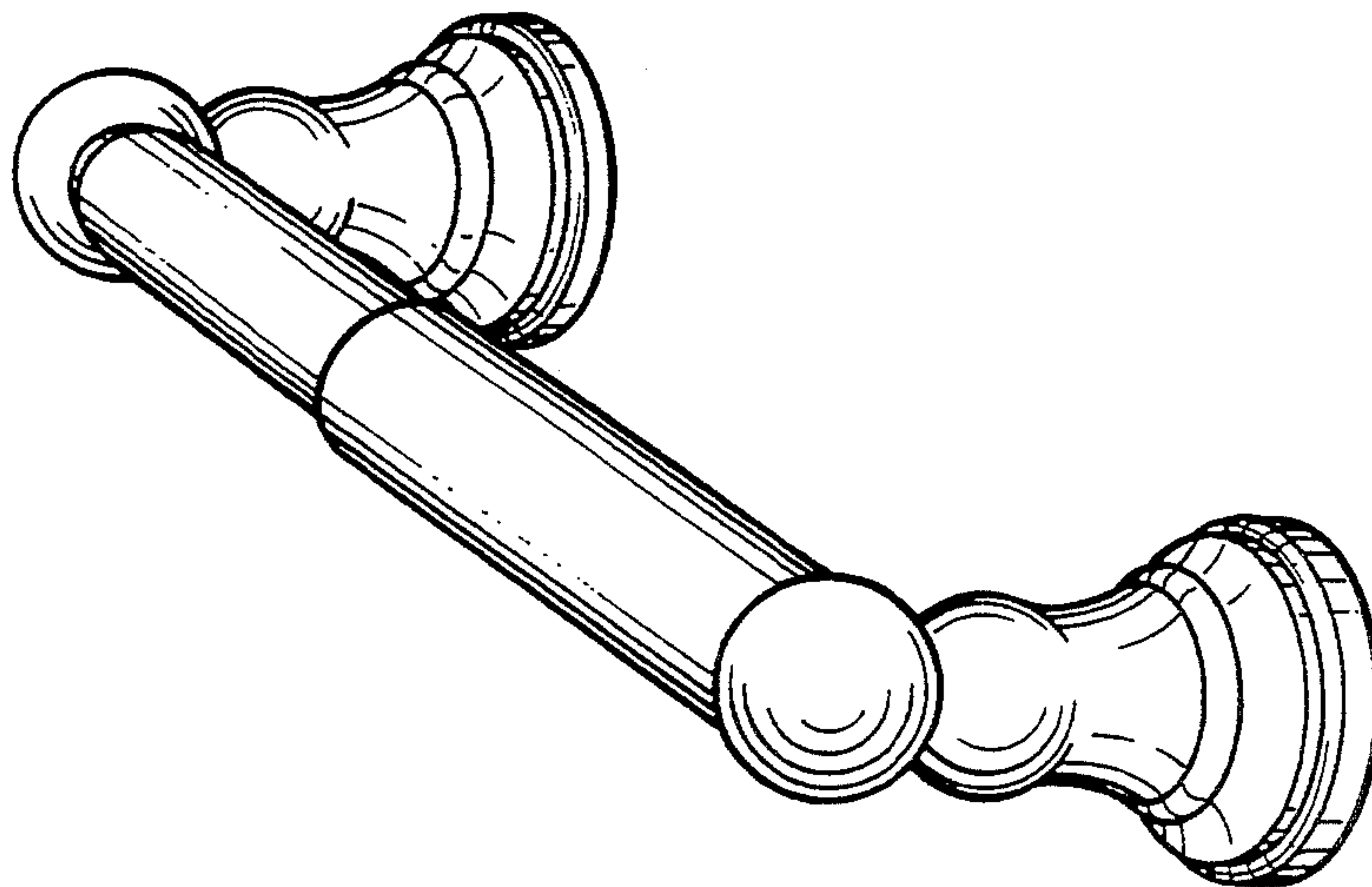
*Primary Examiner*—Brian N. Vinson  
*Attorney, Agent, or Firm*—Myron B. Kapustij; Malcolm L. Sutherland

[57] **CLAIM**

The ornamental design for a towel bar, as shown and described.

**DESCRIPTION**

FIG. 1 is a top perspective view of a towel bar showing our new design;  
FIG. 2 is a front elevational view thereof;  
FIG. 3 is a top plan view thereof;  
FIG. 4 is a left side elevational view thereof;  
FIG. 5 is a right side elevational view thereof; and,  
FIG. 6 is a rear elevational view thereof.



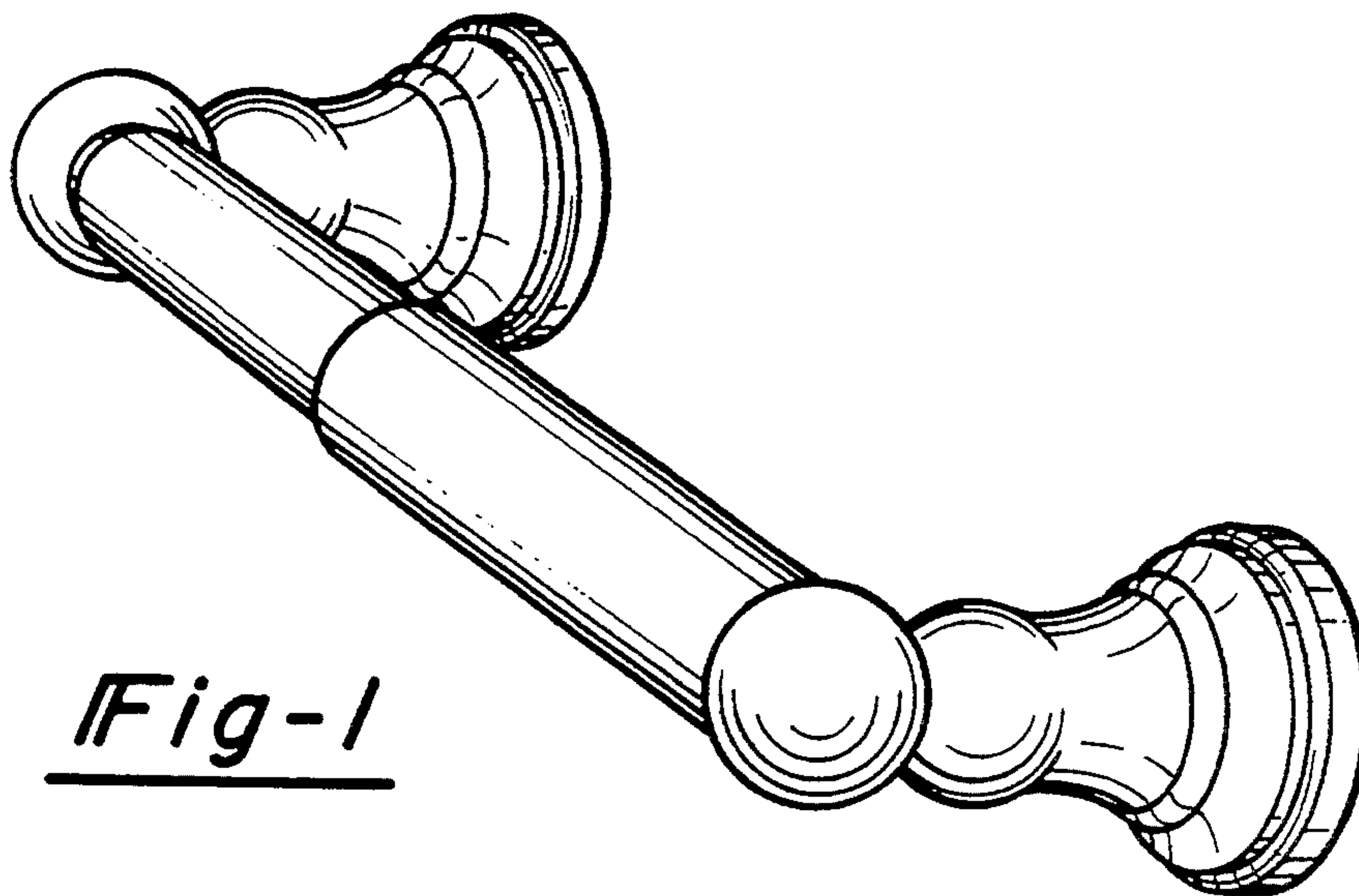


Fig-1

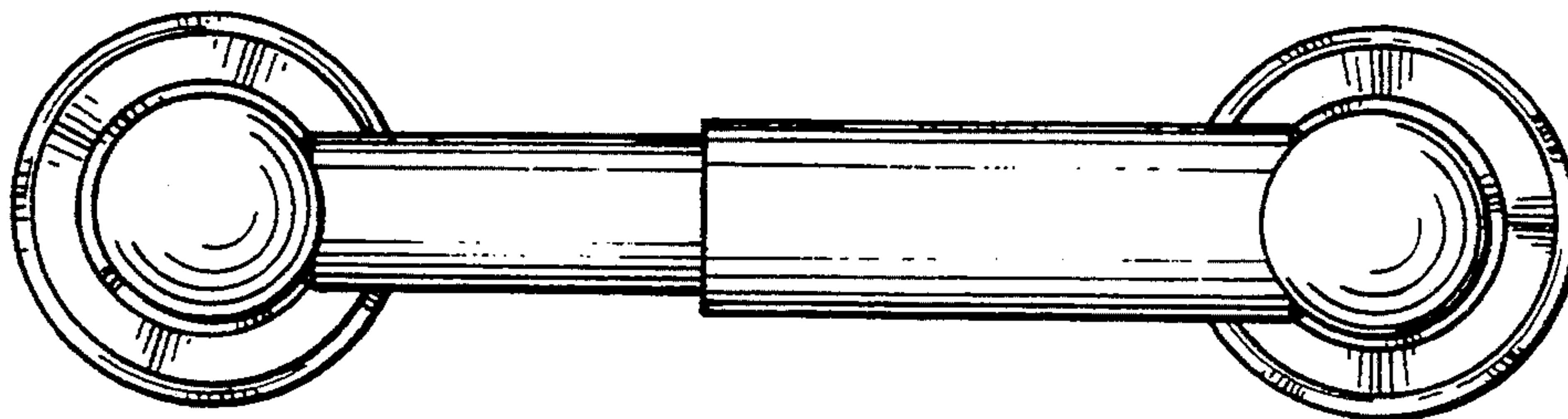


Fig-2

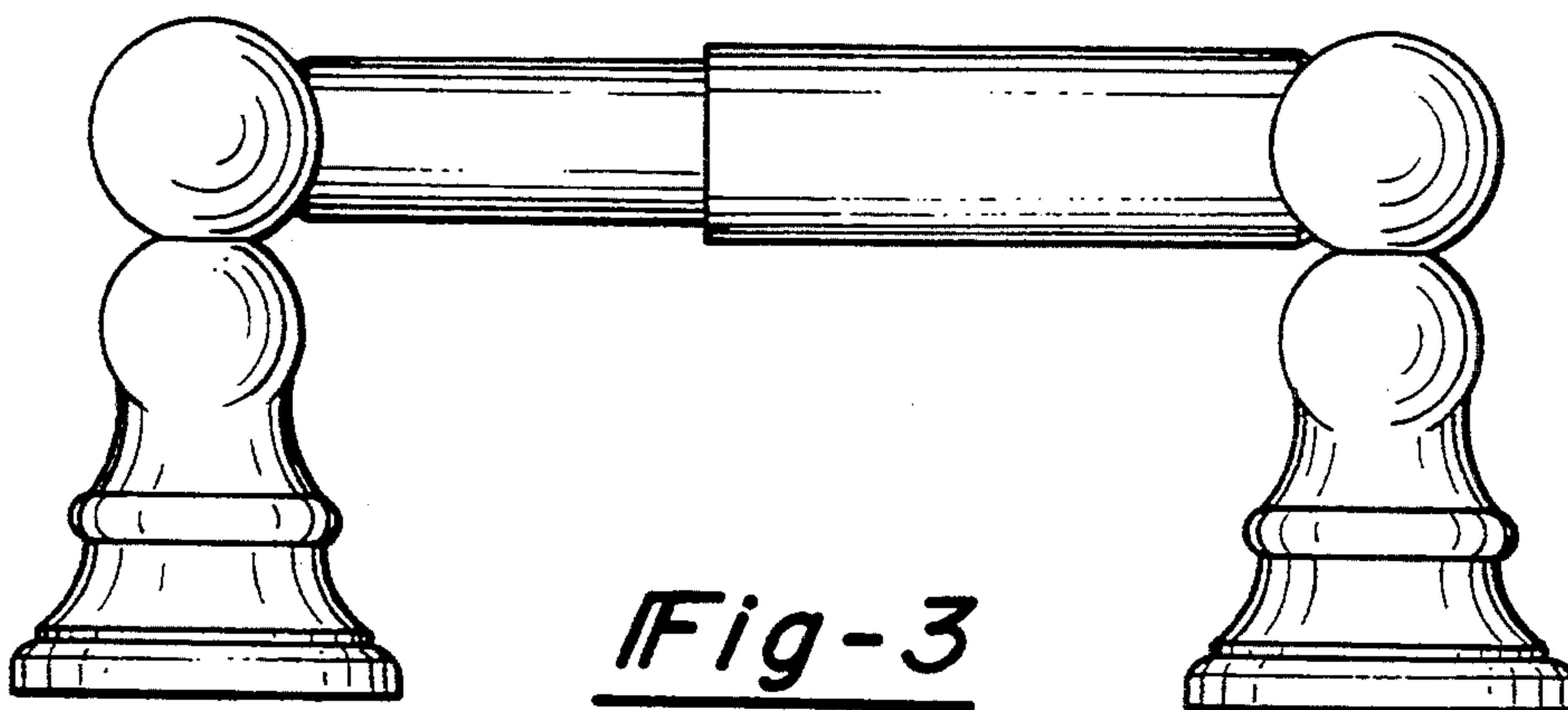


Fig-3

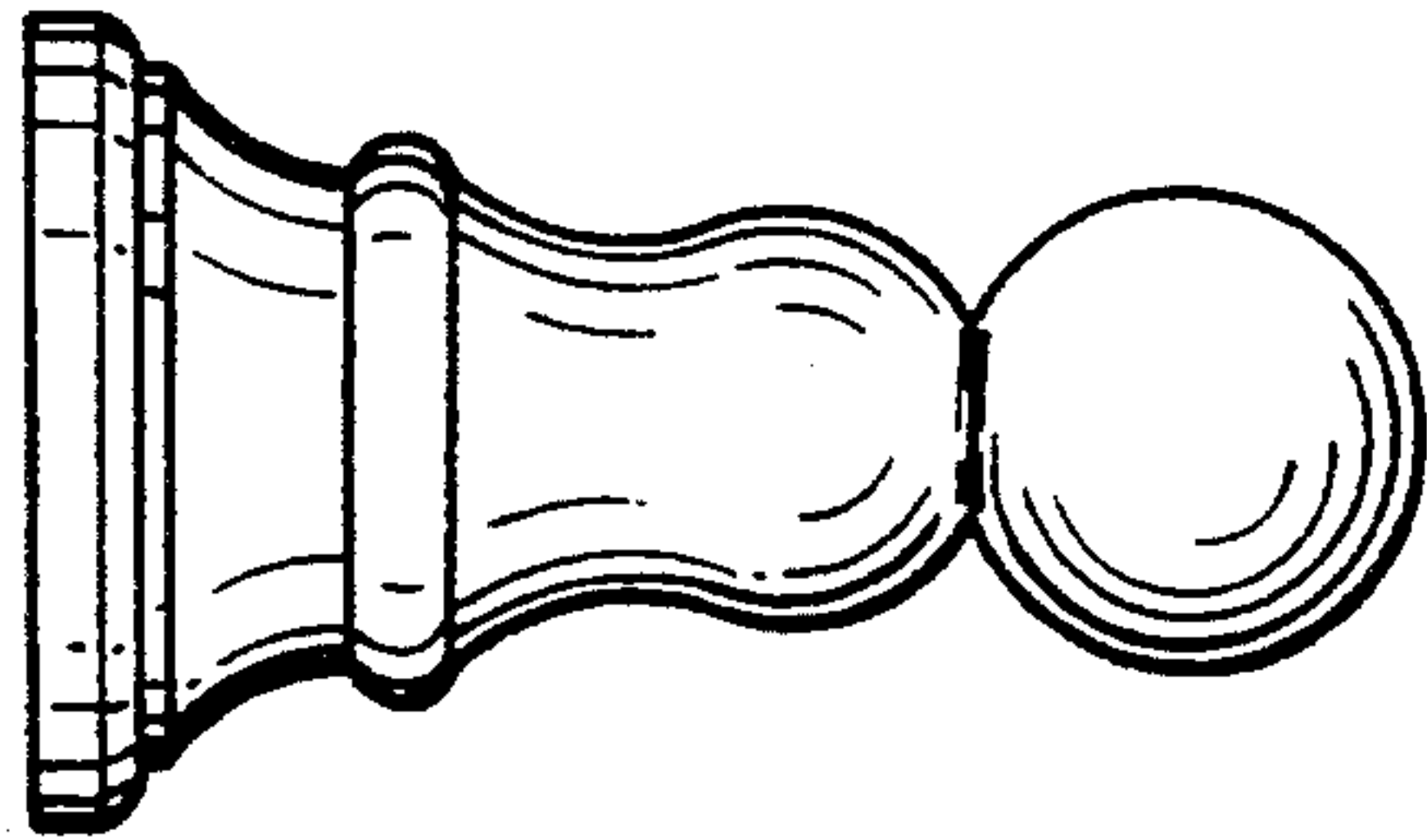


Fig-4

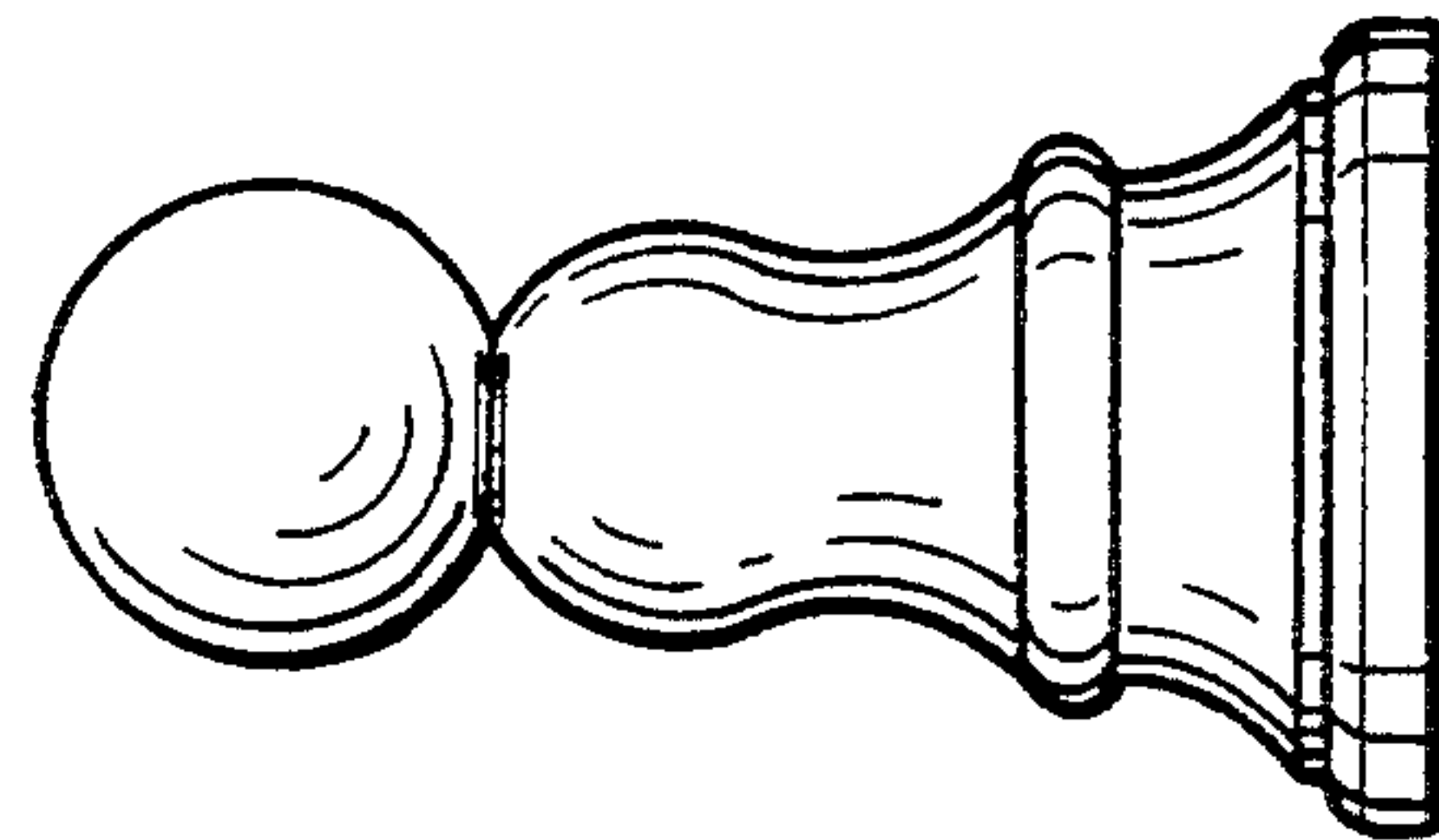


Fig-5

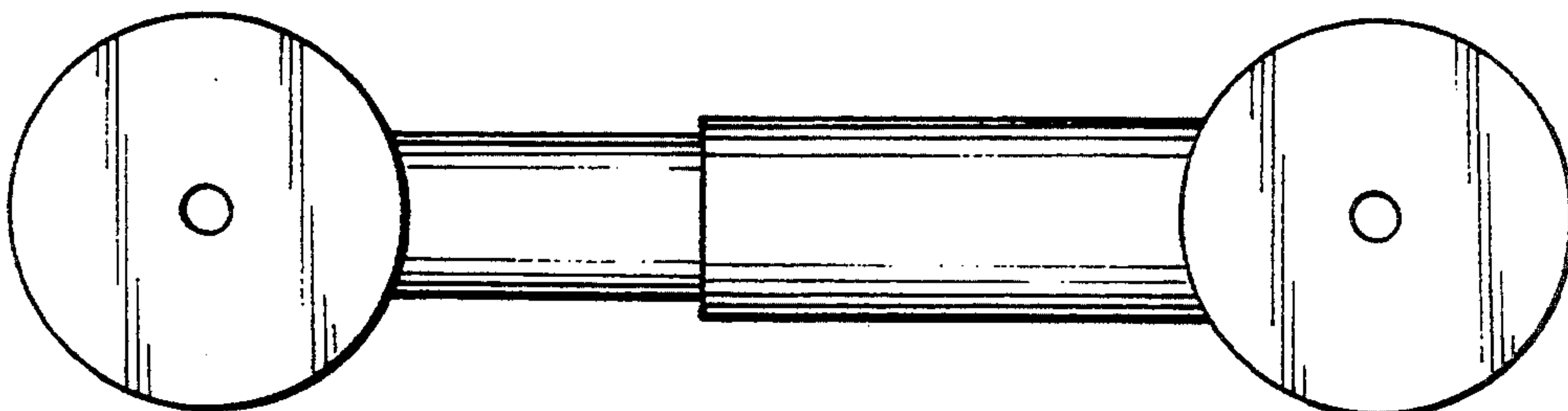


Fig-6