



US00D357837S

United States Patent [19]

Kea

[11] Patent Number: **Des. 357,837**

[45] Date of Patent: **** May 2, 1995**

[54] **TWO TIER SOAP HOLDER**

[76] Inventor: **Arthur R. Kea, 867 Lovers La., Akron, Ohio 44306**

[**] Term: **14 Years**

[21] Appl. No.: **21,405**

[22] Filed: **Apr. 15, 1994**

D. 335,600 5/1993 Ritchie D6/540
4,993,546 2/1991 Southard 206/77.1

Primary Examiner—Brian N. Vinson
Attorney, Agent, or Firm—Oldham, Oldham & Wilson Co.

[57] CLAIM

The ornamental design for a two tier soap holder, as shown and described.

DESCRIPTION

FIG. 1 is a top, front, and right side perspective view of a two tier soap holder showing my new design; FIG. 2 is an enlarged front elevational view thereof; FIG. 3 is an enlarged right side elevational view thereof, the left side being a mirror image of that shown; FIG. 4 is an enlarged top plan view thereof; FIG. 5 is a top, front, and right side perspective view of an alternate embodiment of a two tier soap holder showing my new design; FIG. 6 is an enlarged right side elevational view thereof, the left side being a mirror image of that shown; and, FIG. 7 is an enlarged top plan view thereof.

Related U.S. Application Data

[62] Division of Ser. No. 892,505, Jun. 1, 1992, Pat. No. Des. 347,957.

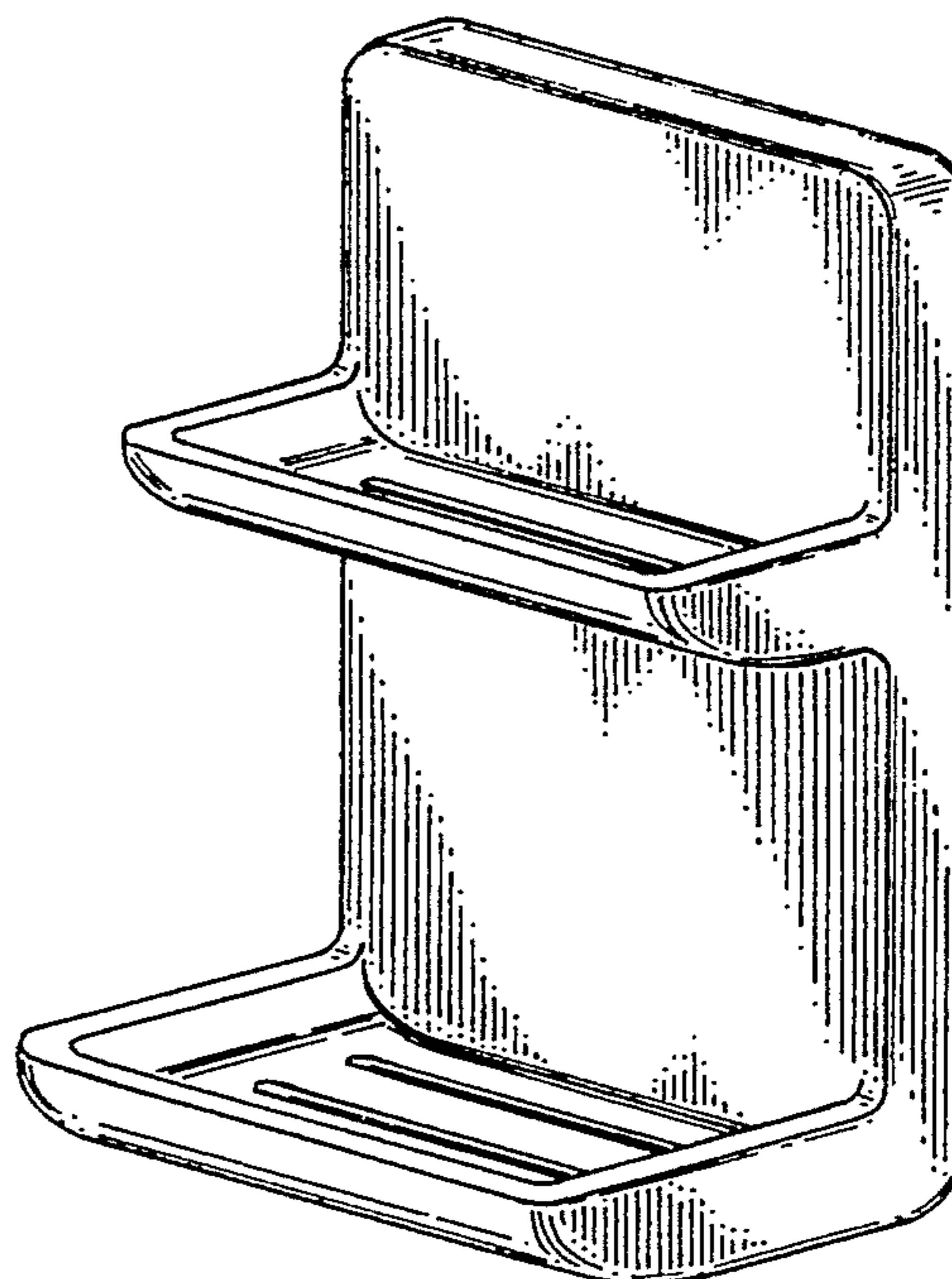
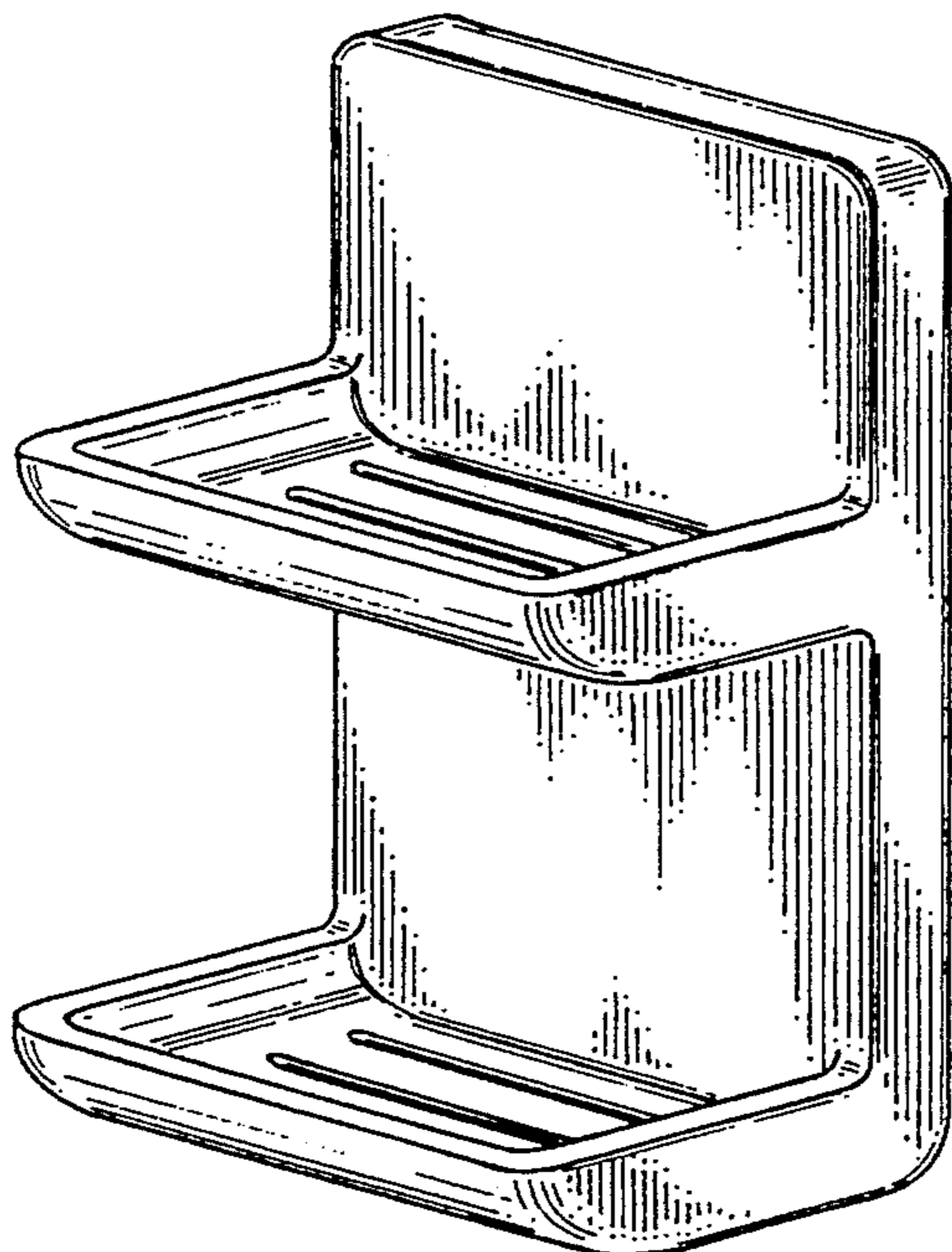
[52] U.S. Cl. **D6/540**

[58] Field of Search **D6/536-540;**
206/77.1; 211/13, 60.1, 65, 75, 87-88;
248/309.1, 312, 311.2

[56] References Cited

U.S. PATENT DOCUMENTS

D. 128,779 8/1941 Hallenscheid D6/540
D. 277,146 1/1985 Boroch D6/540
D. 329,560 9/1992 Levien D6/540



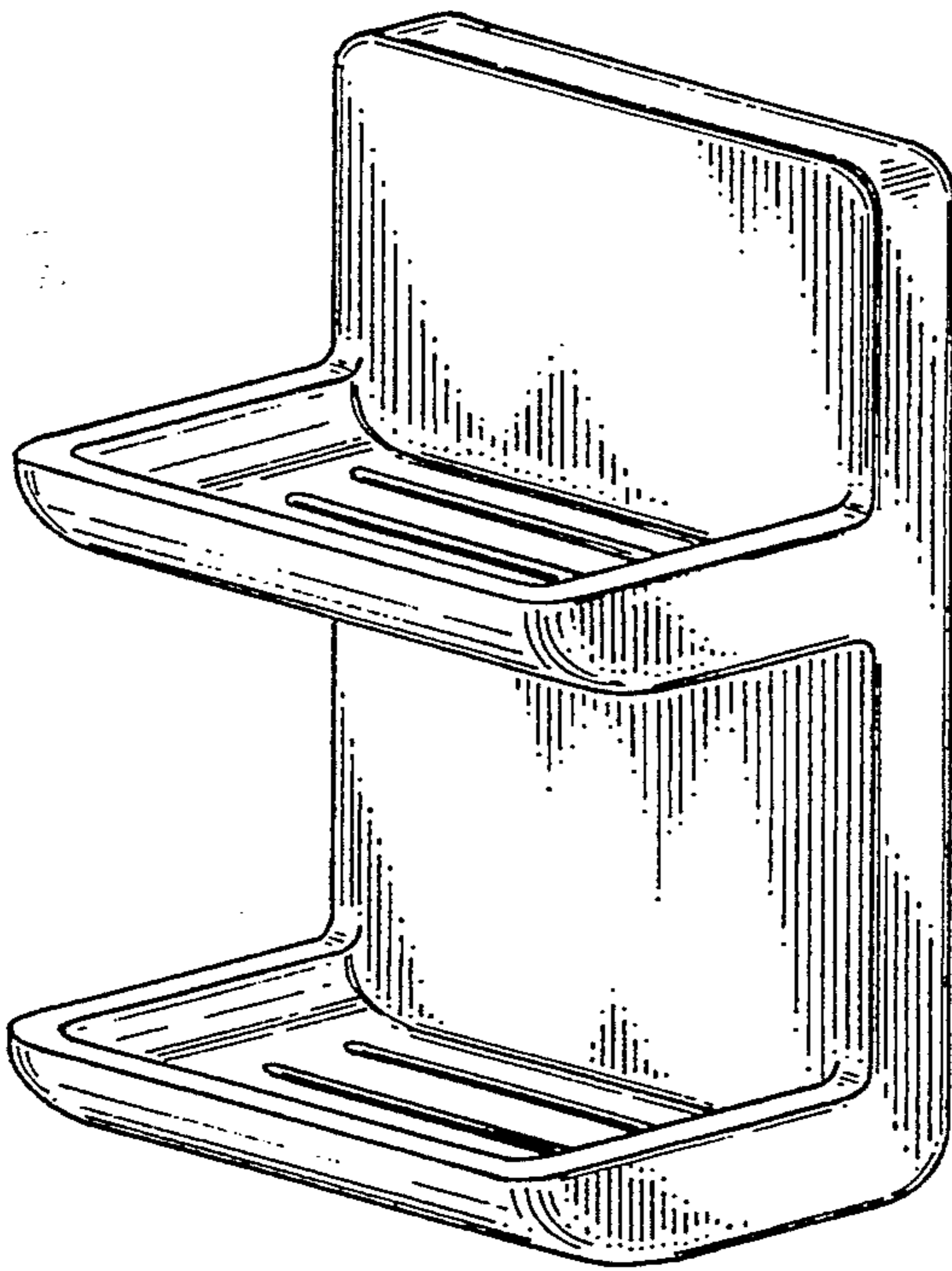


FIG. -1

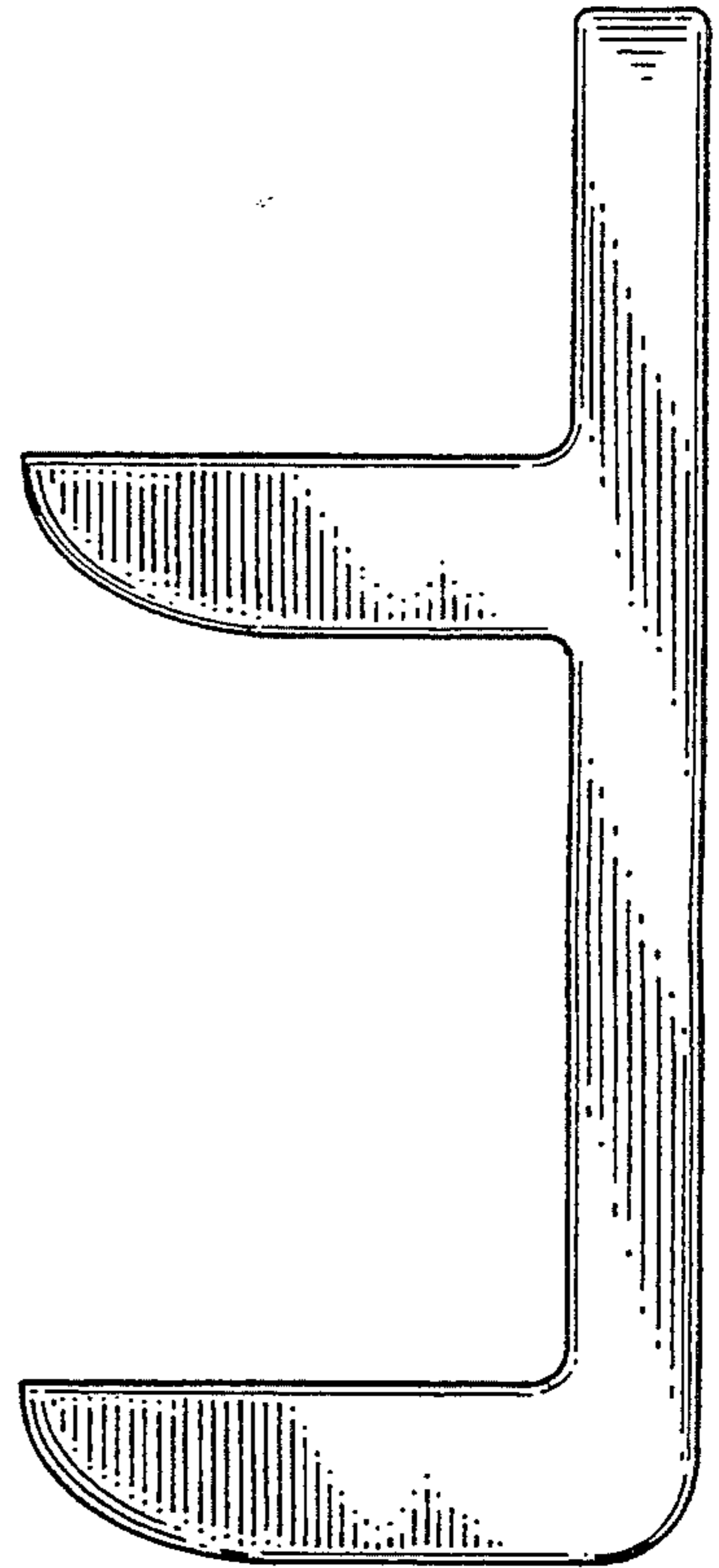


FIG. -3

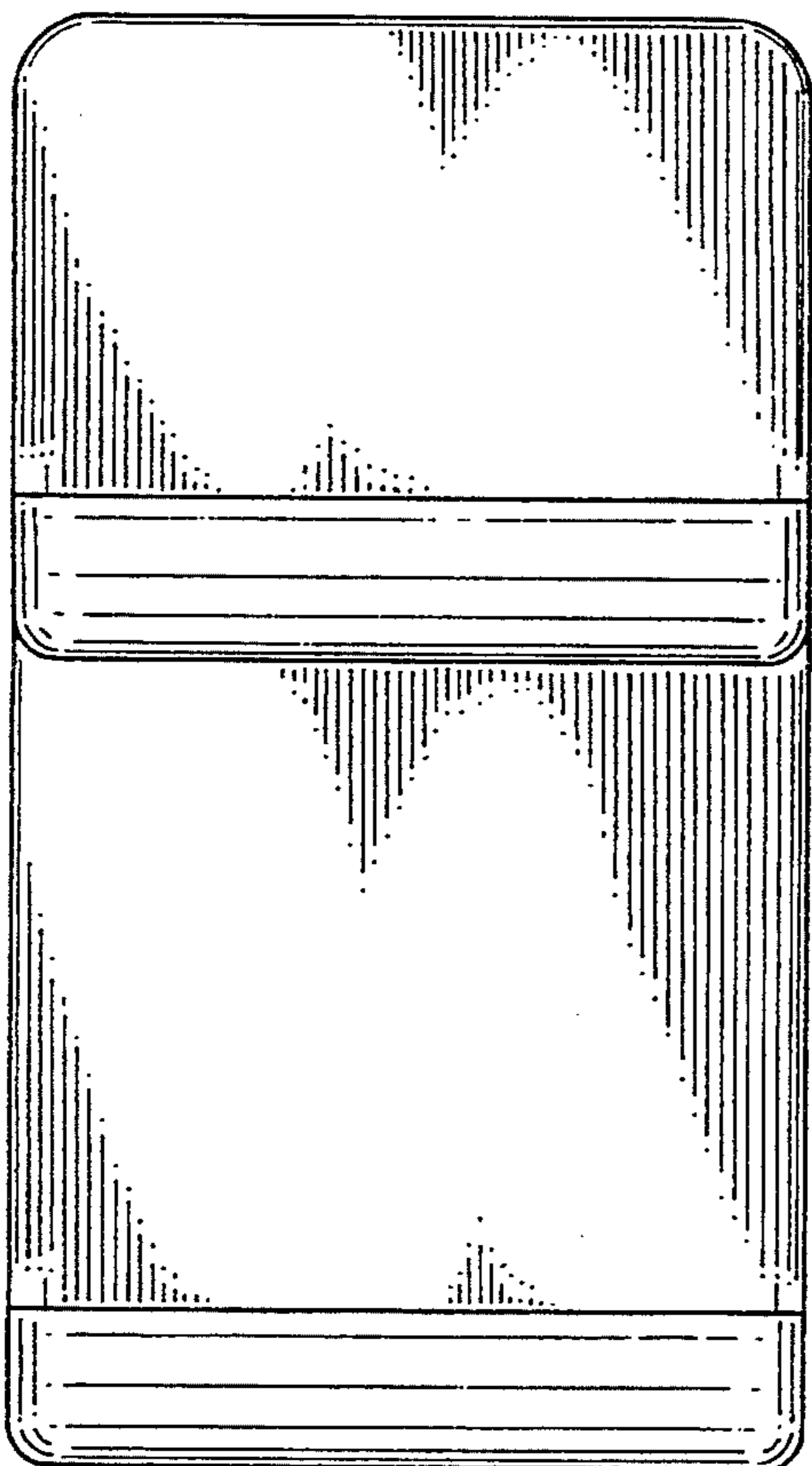


FIG. -2

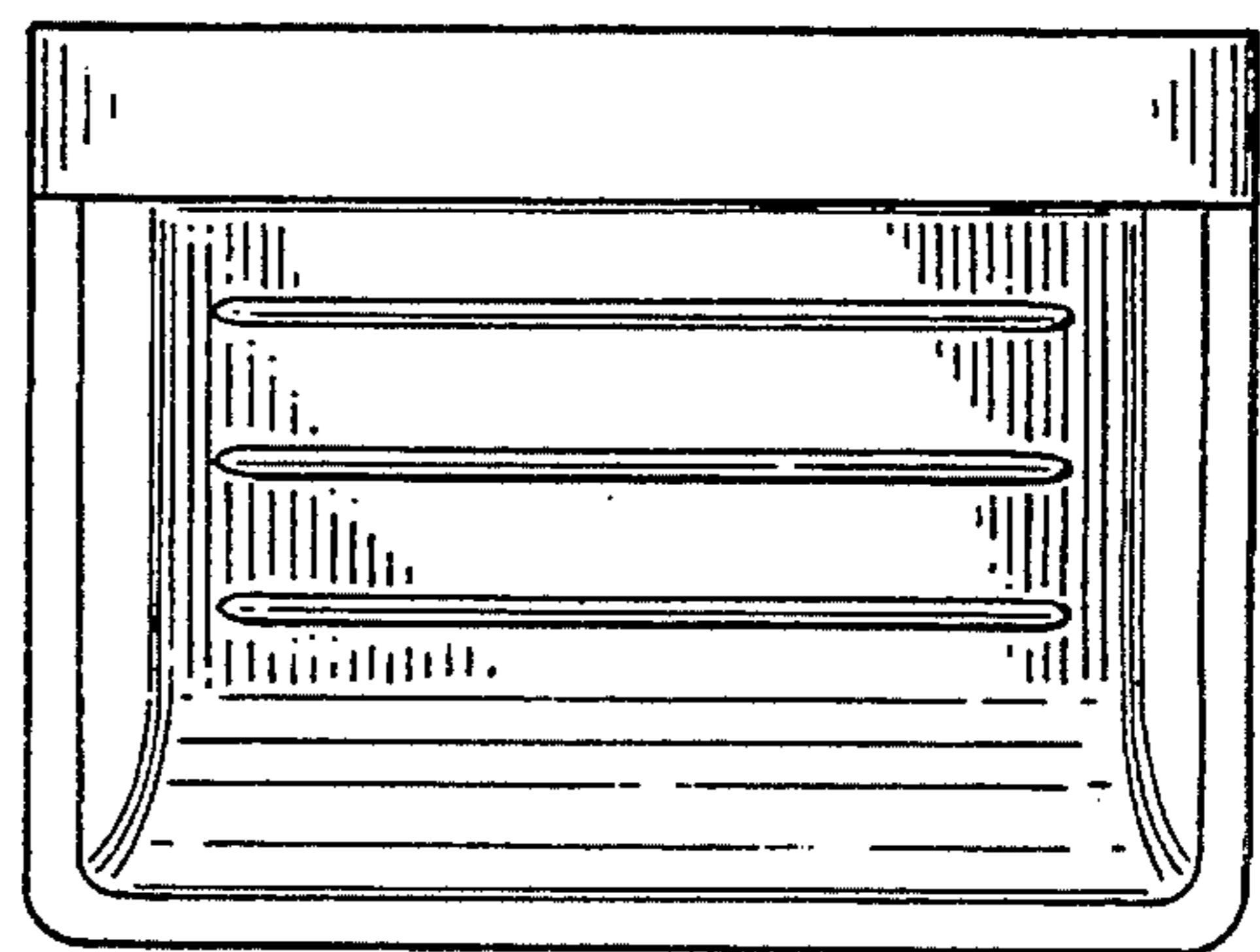


FIG. -4

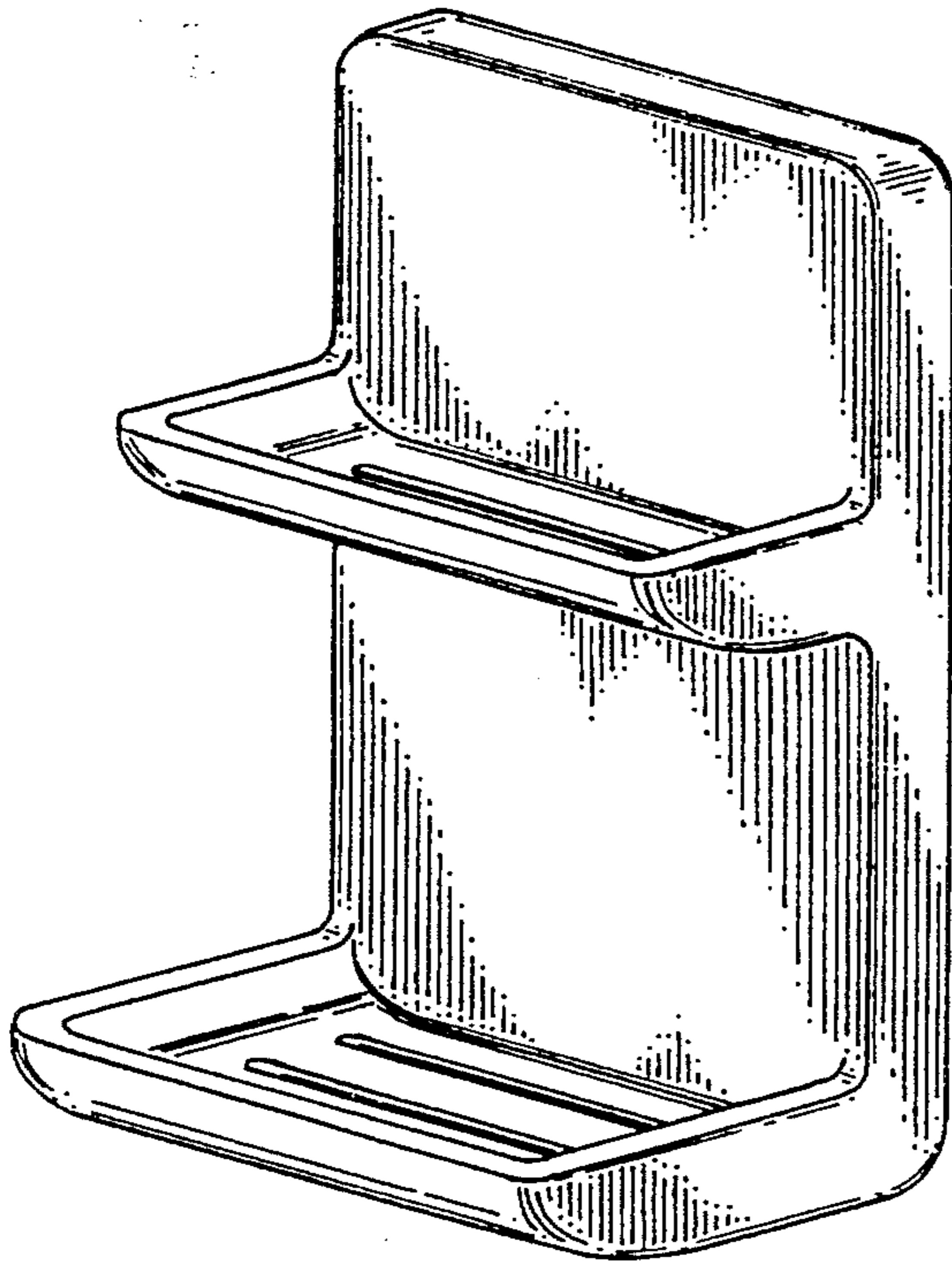


FIG. - 5

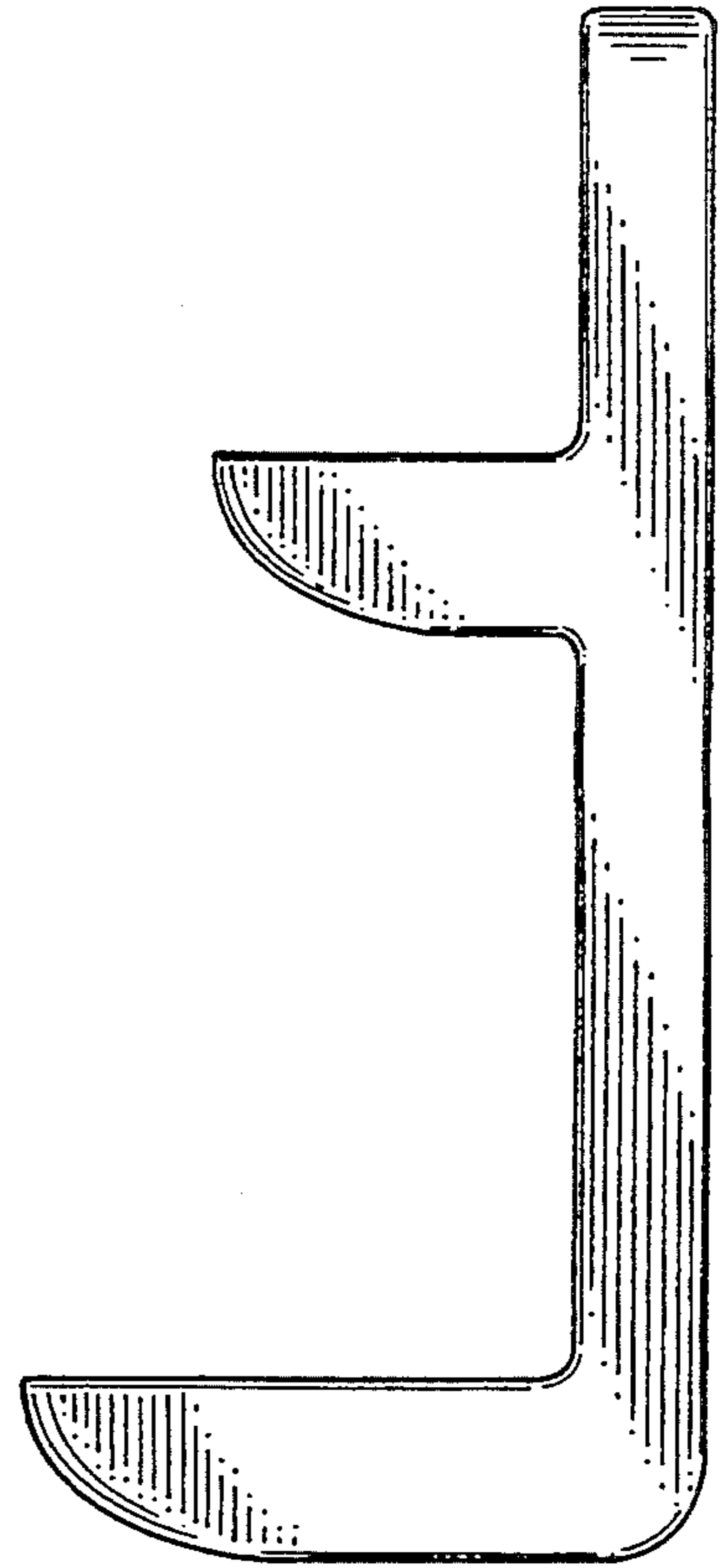


FIG. - 6

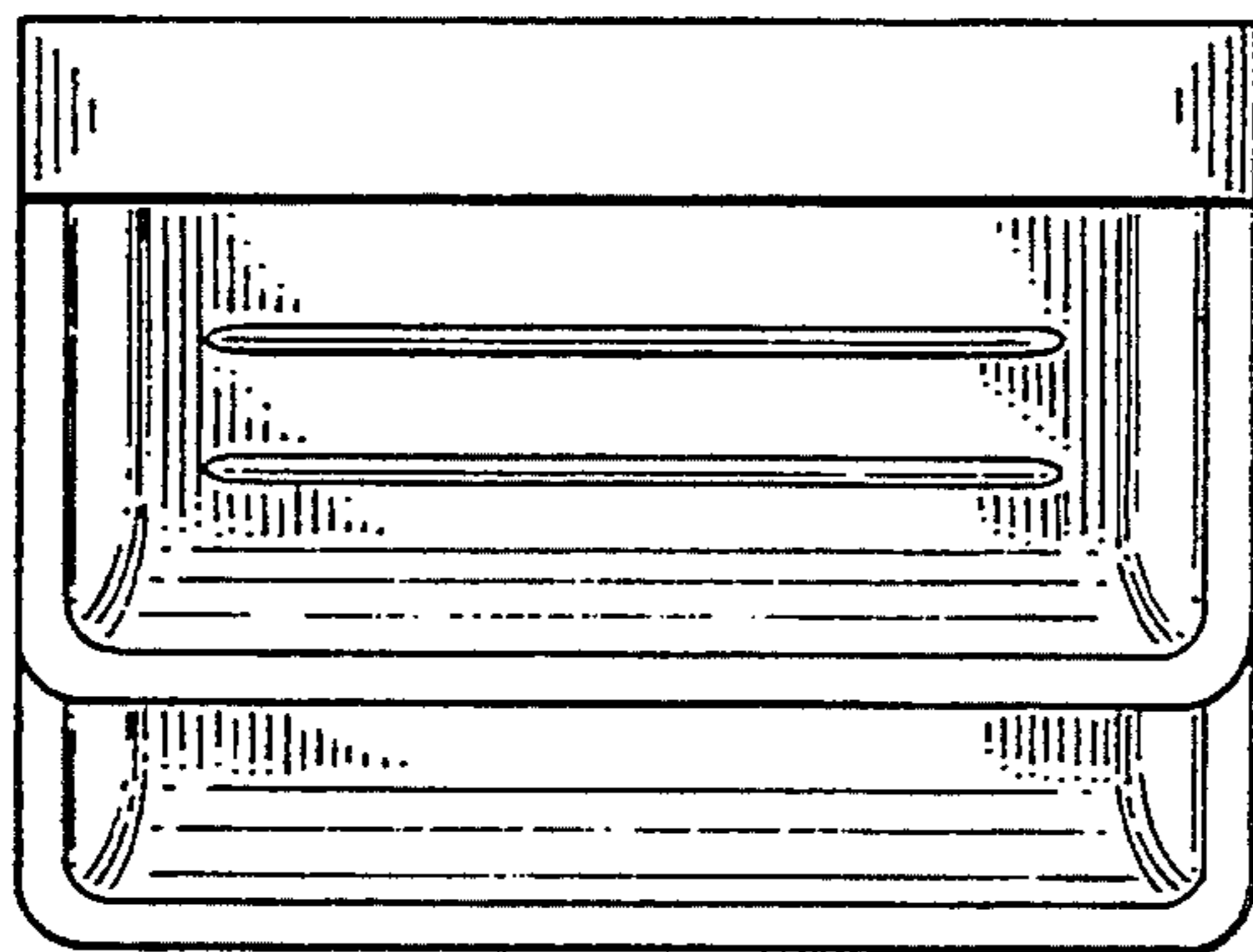


FIG. - 7