



US00D357834S

United States Patent [19]

[11] Patent Number: **Des. 357,834**

Nordstrom et al.

[45] Date of Patent: **** May 2, 1995**

[54] **HEADREST**

[75] Inventors: **Carl G. Nordstrom**, Lake Oswego;
Shawn R. Irwin, Newberg, both of
Oreg.

[73] Assignee: **A-Dec, Inc.**, Newberg, Oreg.

[**] Term: **14 Years**

[21] Appl. No.: **9,394**

[22] Filed: **Jun. 10, 1993**

Related U.S. Application Data

[63] Continuation of Ser. No. 929,116, Aug. 13, 1992, abandoned.

[52] U.S. Cl. **D6/501; D6/503**

[58] Field of Search **D6/501; 297/396, 397,
297/408**

References Cited

U.S. PATENT DOCUMENTS

D. 333,736	3/1993	Nordstrom .	
477,197	6/1892	Barker	297/408 X
3,719,388	3/1973	Fortnam .	
3,877,751	4/1975	Rasmussen	297/408 X
4,097,086	6/1978	Hudson	297/397 X
4,113,309	9/1978	Brockway	297/408
4,312,538	1/1982	Kennedy et al. .	
4,527,976	7/1985	Behringer et al. .	
4,541,671	9/1985	Broadhead et al. .	
4,878,709	11/1989	Okamoto .	
4,929,023	5/1990	Rasmussen .	
4,966,413	10/1990	Palarski .	
5,190,349	3/1993	Austin, Jr. et al. .	

FOREIGN PATENT DOCUMENTS

2326255	3/1974	Germany	297/408
3021122	12/1981	Germany	297/408

OTHER PUBLICATIONS

KaVo brochure, "Estetica ® 1042," 16 pages (in German). Milan Jan. 1988.

Belmont Dental brochure, 3 pages (in Japanese). Circa Jan. 1992.

Fimet OY brochure, "F1 State of the Art," Monnikylä, Finland, 6 pages Circa Jan. 1992.

Deckers Dental information sheet, "Flex Integral," D. D. C. Priquet, Denmark (in French). Circa Jan. 1992.
A-Dec brochure, "A-Dec's New Decade 1015 Chair," A-Dec, Inc., 8 pages Jan. 1990.

(List continued on next page.)

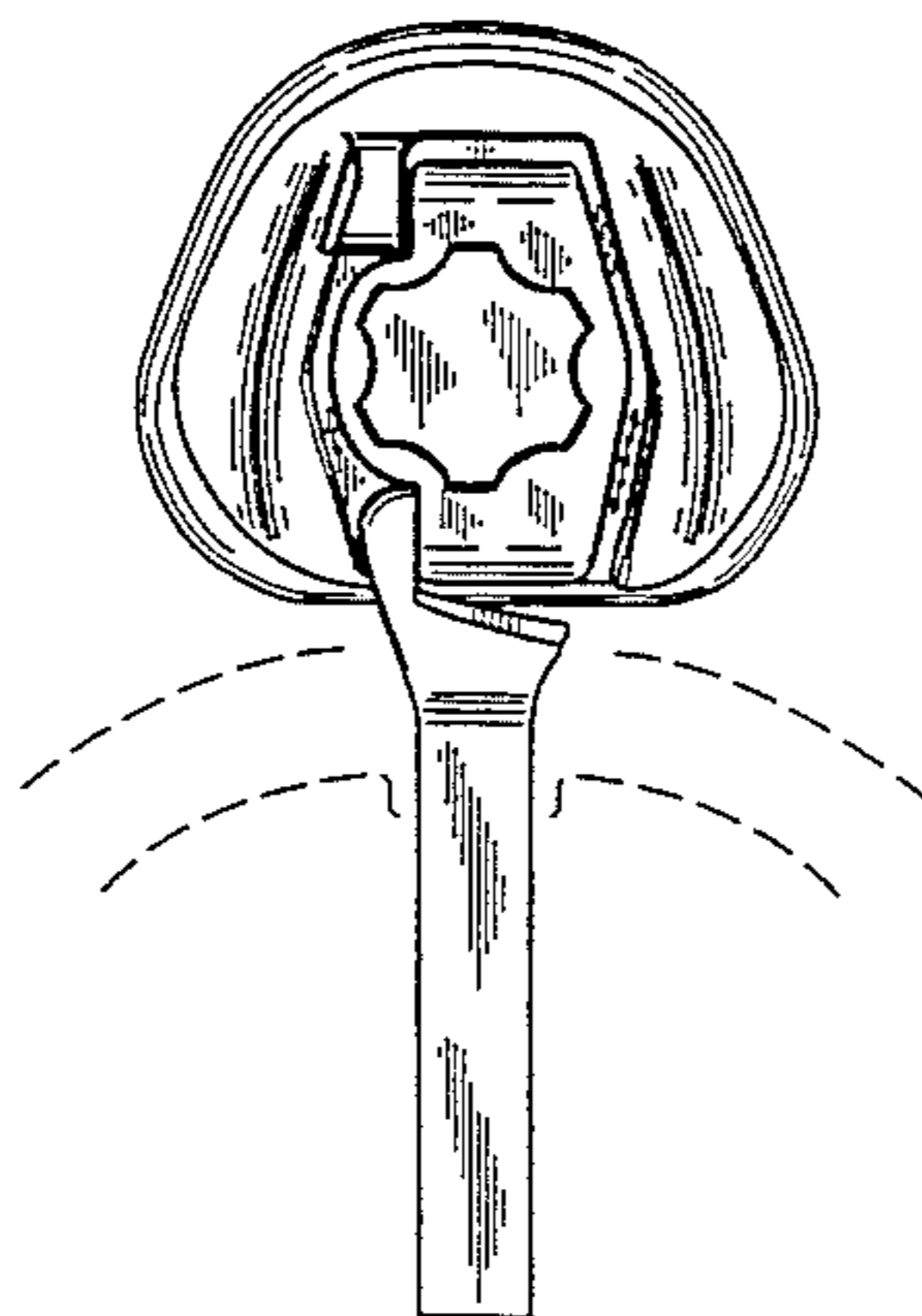
Primary Examiner—Louis S. Zarfes
Assistant Examiner—Monica A. Hannon
Attorney, Agent, or Firm—Klarquist Sparkman
Campbell Leigh & Whinston

[57] CLAIM

The ornamental design for a headrest, as shown and described.

DESCRIPTION

FIG. 1 is a perspective view of the headrest showing our design;
 FIG. 2 is a right side elevation view of the headrest of FIG. 1;
 FIG. 3 is a front elevation view of the headrest of FIG. 1;
 FIG. 4 is a back elevation view of the headrest of FIG. 1;
 FIG. 5 is a top plan view of the headrest of FIG. 1;
 FIG. 6 is a left elevation view of the headrest of FIG. 1;
 FIG. 7 is a bottom elevation view of the headrest of FIG. 1;
 FIG. 8 is a perspective view of a headrest showing our design with a portion of the headrest rotated into a raised position;
 FIG. 9 is a right side elevation view of the headrest of FIG. 8;
 FIG. 10 is a front elevation view of the headrest of FIG. 8;
 FIG. 11 is a back elevation view of the headrest of FIG. 8;
 FIG. 12 is a top plan view of the headrest of FIG. 8;
 FIG. 13 is a left side elevation view of the headrest of FIG. 8; and,
 FIG. 14 is a bottom plan view of the headrest of FIG. 8.
 The broken line disclosure of the seat back in FIGS. 1, 2, 3, 4, 6, 8, 9, 10, 11, and 13 is for illustrative purposes only and forms no part of the claimed design.



OTHER PUBLICATIONS

KaVo brochure, "KaVo Systematica ® 1060," KaVo France, 4 pages (in French). Jan. 1988.

Technodent brochure, "2009, Prima ed Unica," Bologna, Italy, 2 pages, 1986 (in Italian).

A-Dec ® Equipment Catalog, 4 pages, A-Dec, Inc., Sep. 1991.

A-Dec ® brochure, "The A-Dec Priority Chair: Beauty Goes to Work," A-Dec, Inc., 10 pages (1989).

Siemens brochure, "High Technology and Service to Dentistry," Siemens Aktiengesellschaft Medical Engineering Group, Federal Republic of Germany, 6 pages (1991).

Planmeca Inc. brochure, "PM 2002 CC," Planmeca Inc., Wood Dale, Illinois, 8 pages (1990).

A-Dec "Preference" six-page brochure circa Sep. 1982.

A-Dec "Century" one-page advertisement circa Jan. 1977.

A-Dec "Century" two-page brochure circa Jan. 1978.
Dentech 32-page catalog, cover and pp. 2-4, circa Jan. 1991.

Ampco Dental Products four-page brochure circa Jan. 1991.

Signo "Grand" 18-page Japanese language brochure, cover and pp. 1-12, circa Jan. 1991.

Takara Belmont 50-page Japanese language dental equipment catalog, cover and pp. 26-29, circa Jan. 1991.

A-Dec "J-Dec" two-page Japanese language brochure circa Jan. 1991.

FIG. 1

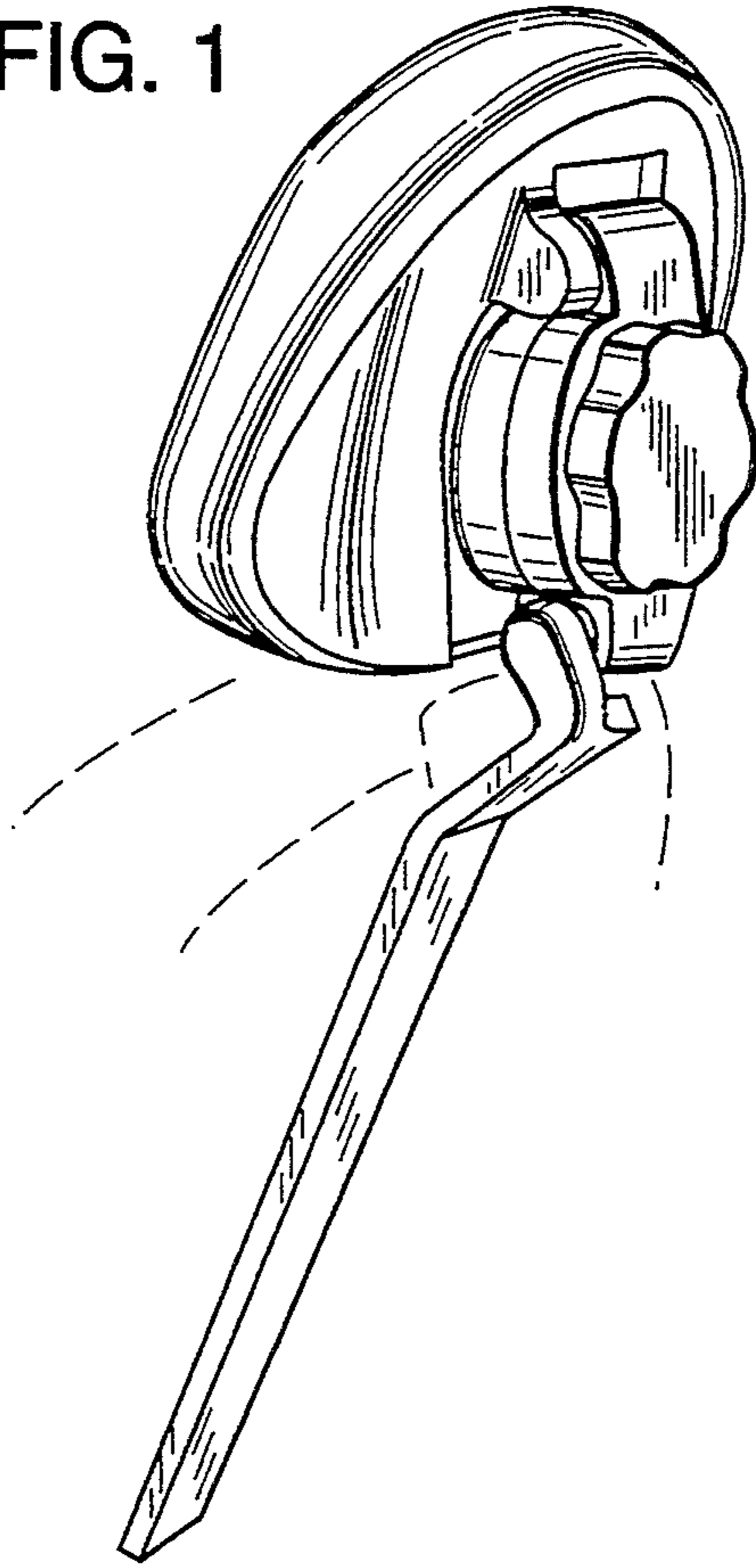


FIG. 2

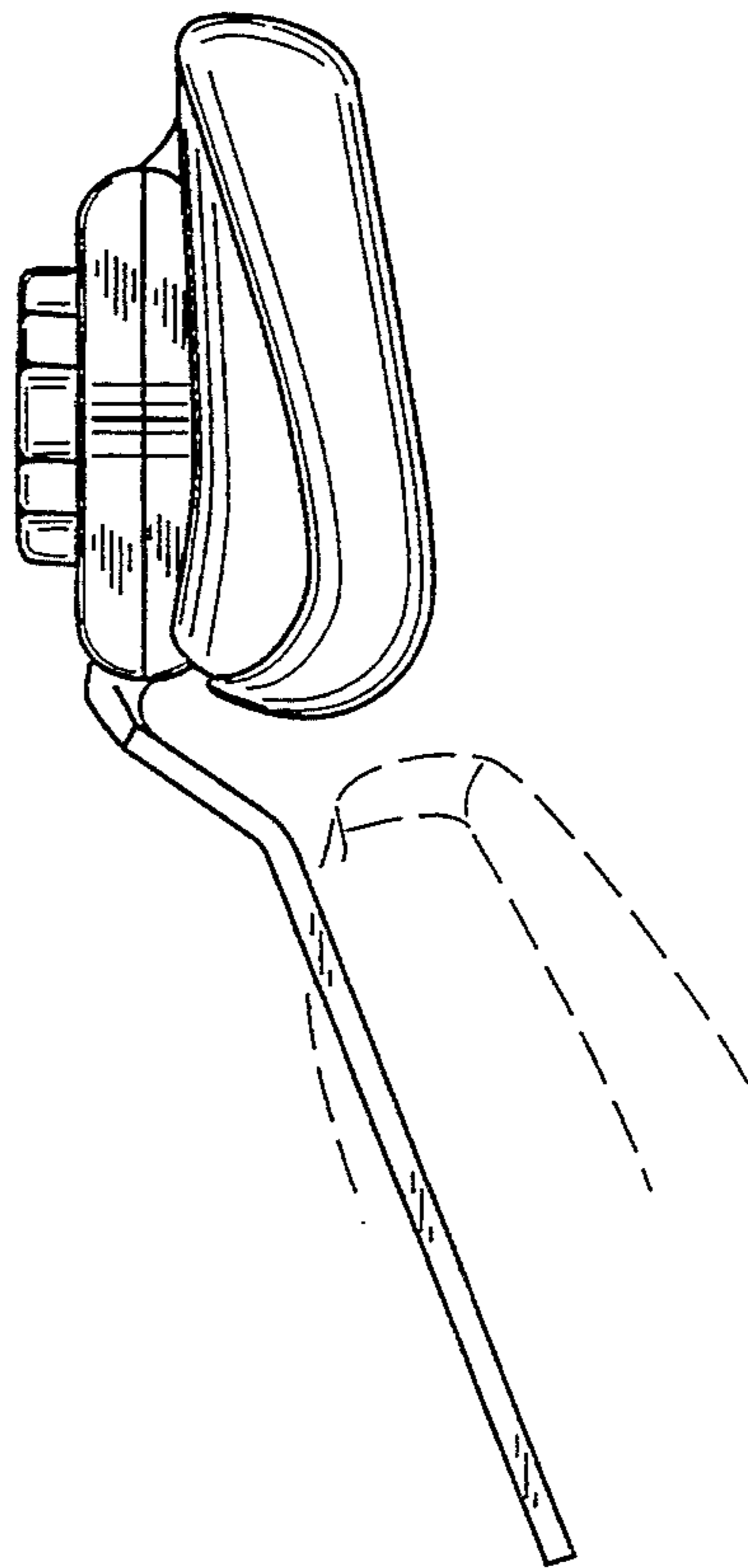


FIG. 3

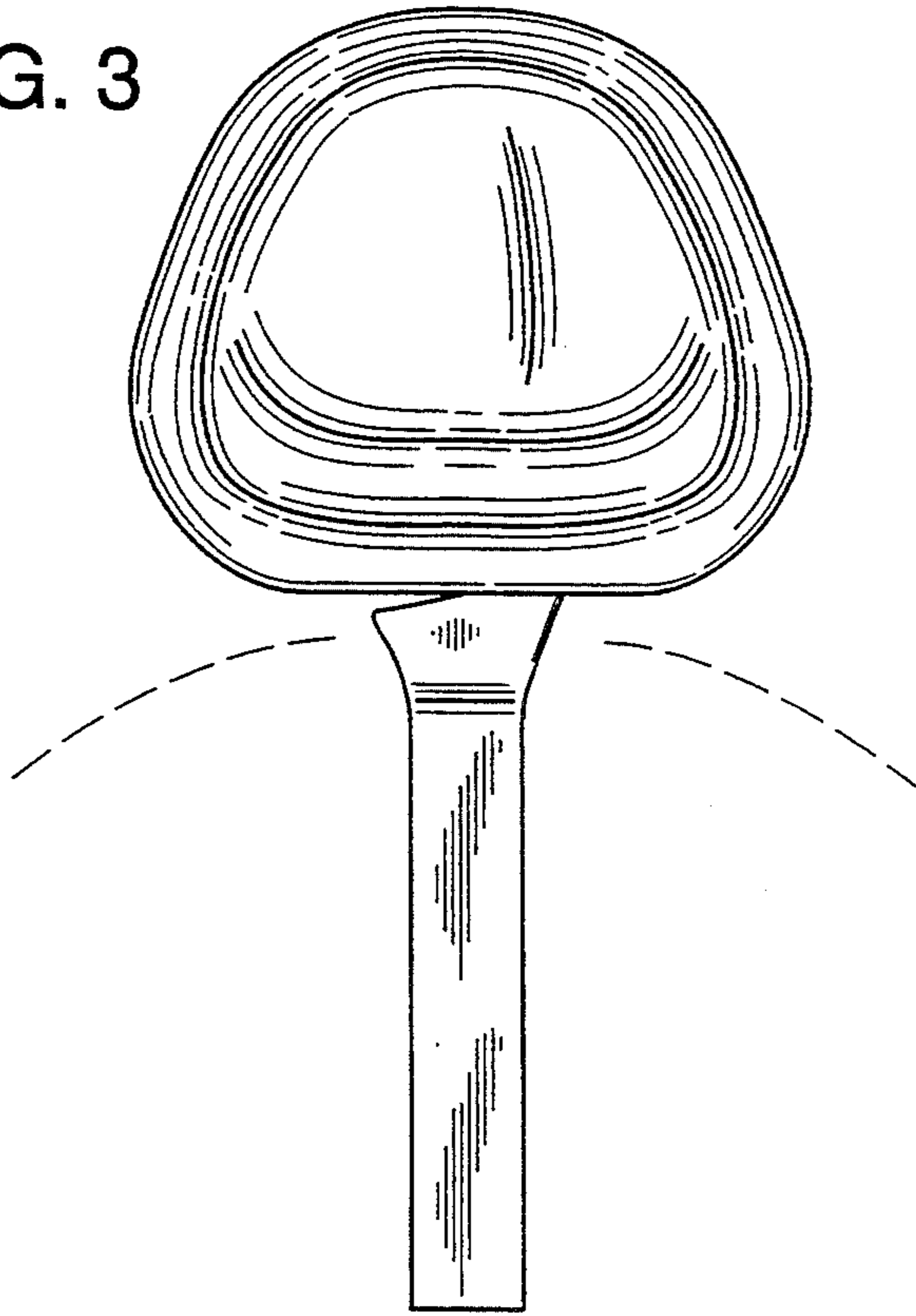


FIG. 4

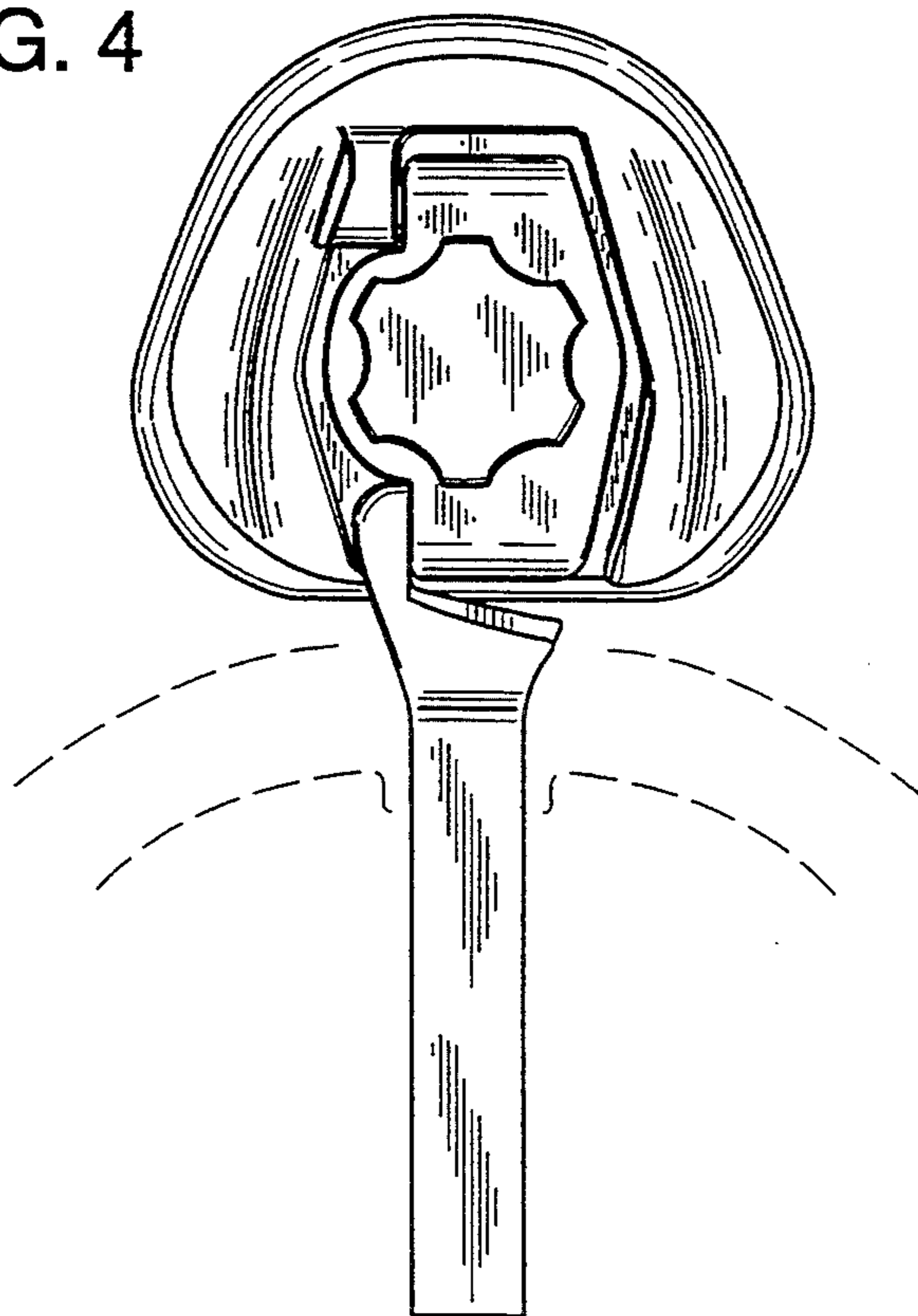


FIG. 5

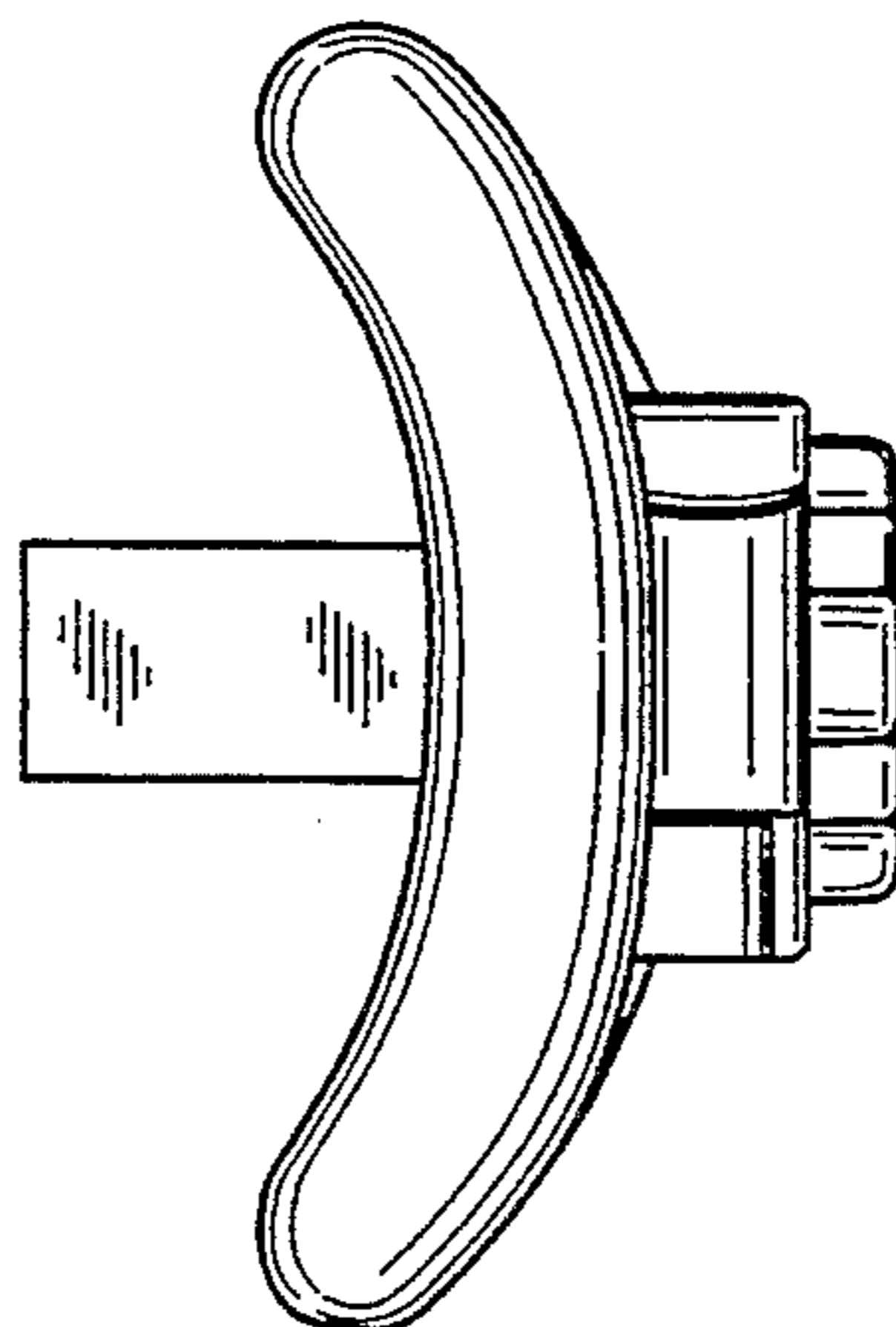


FIG. 6

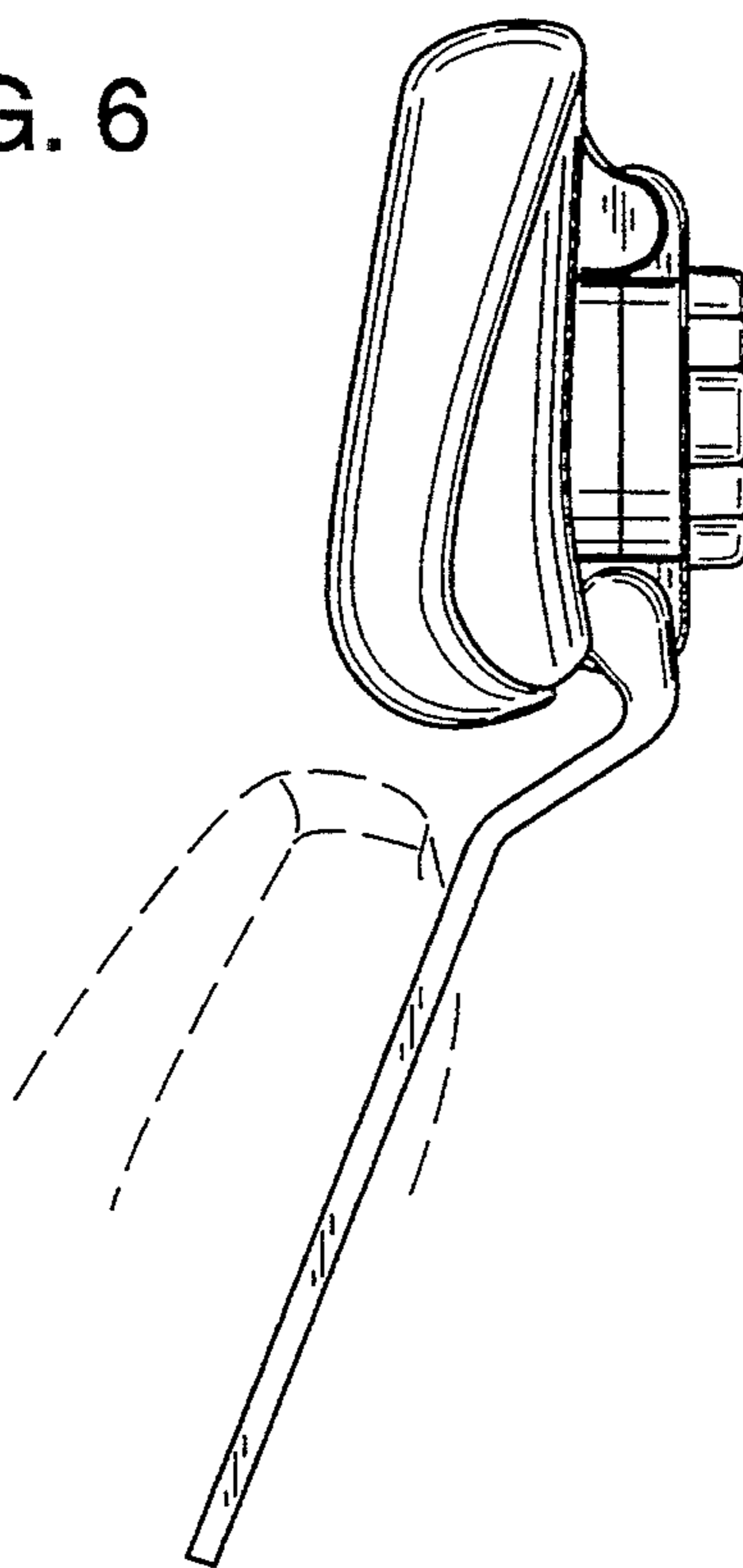


FIG. 7

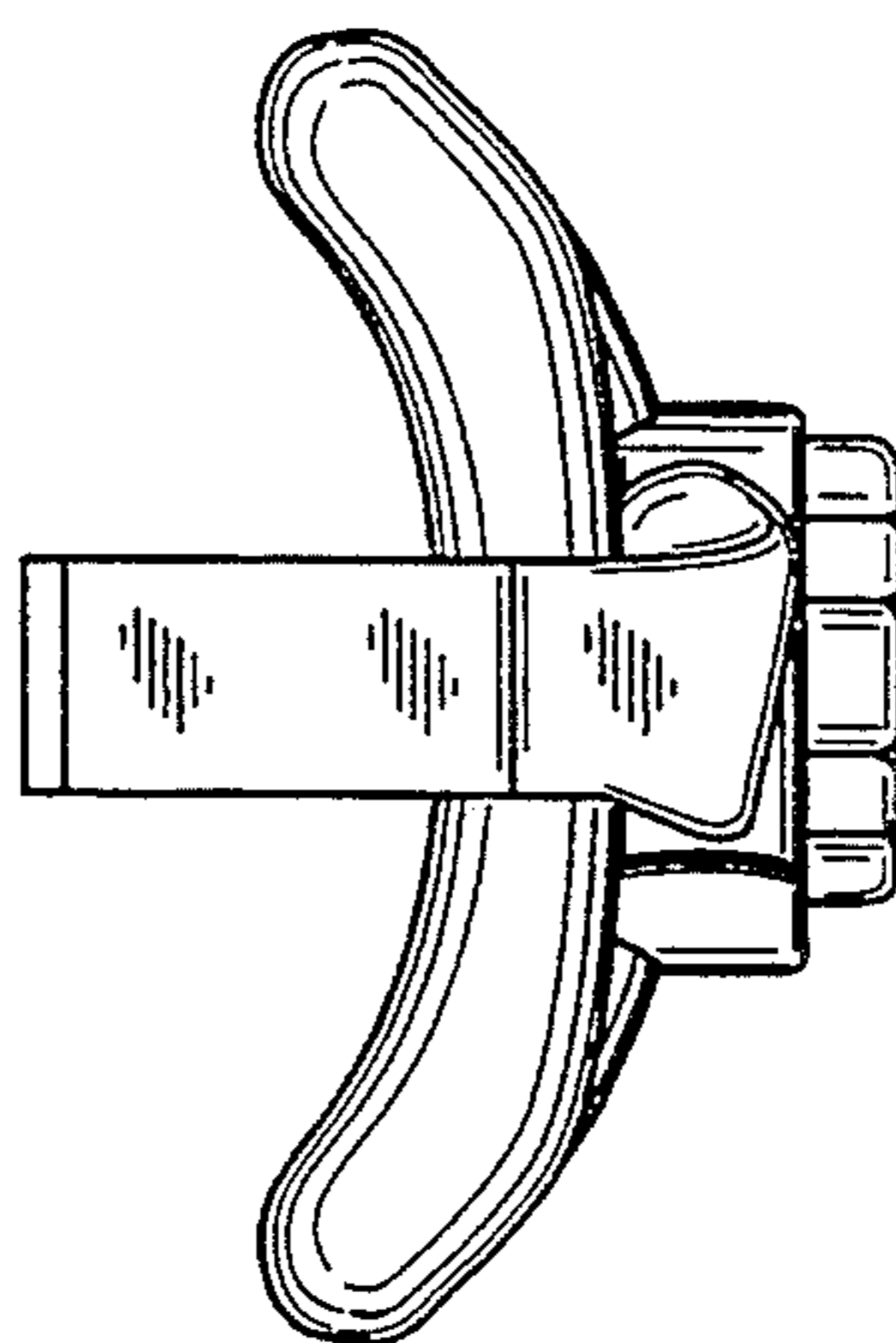


FIG. 8

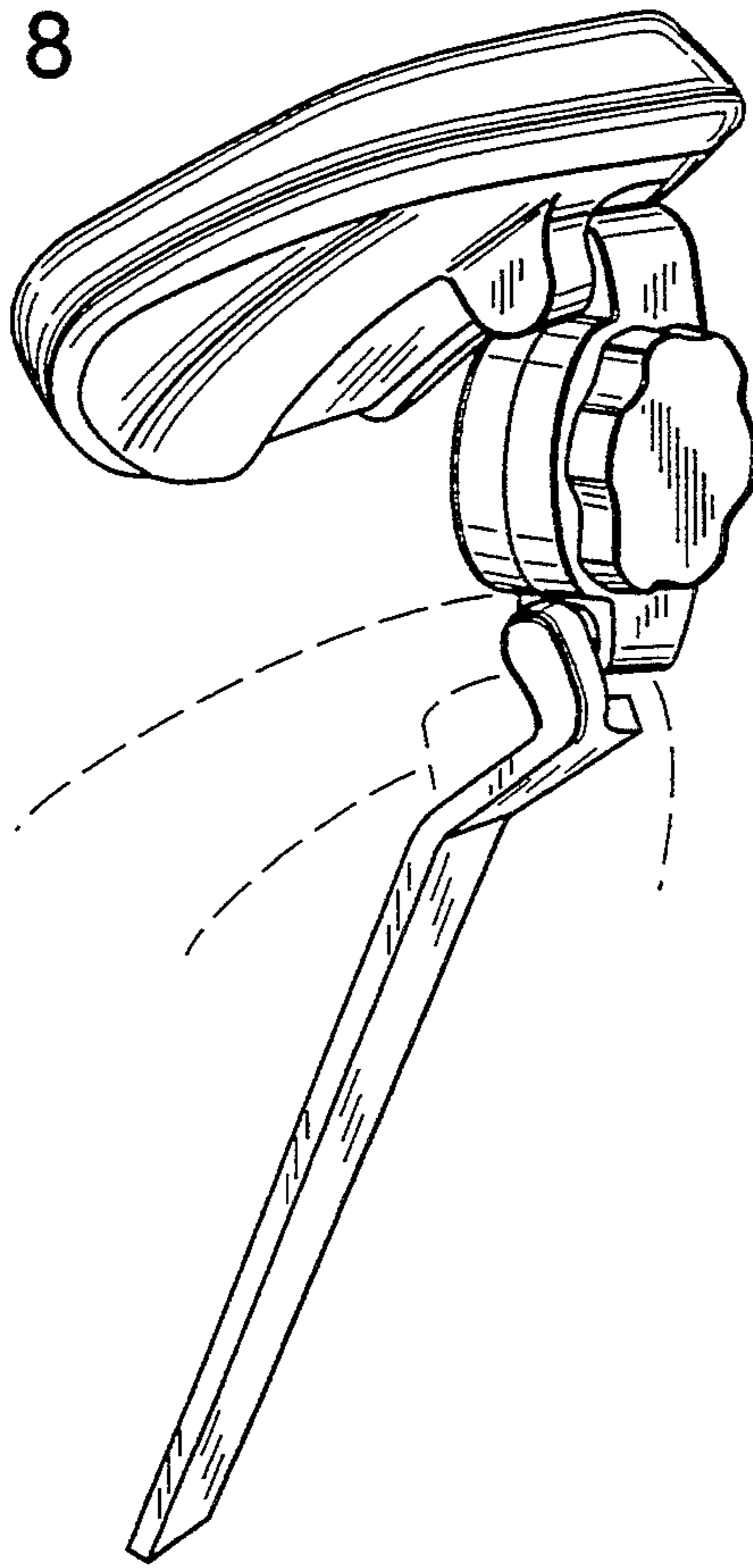


FIG. 9

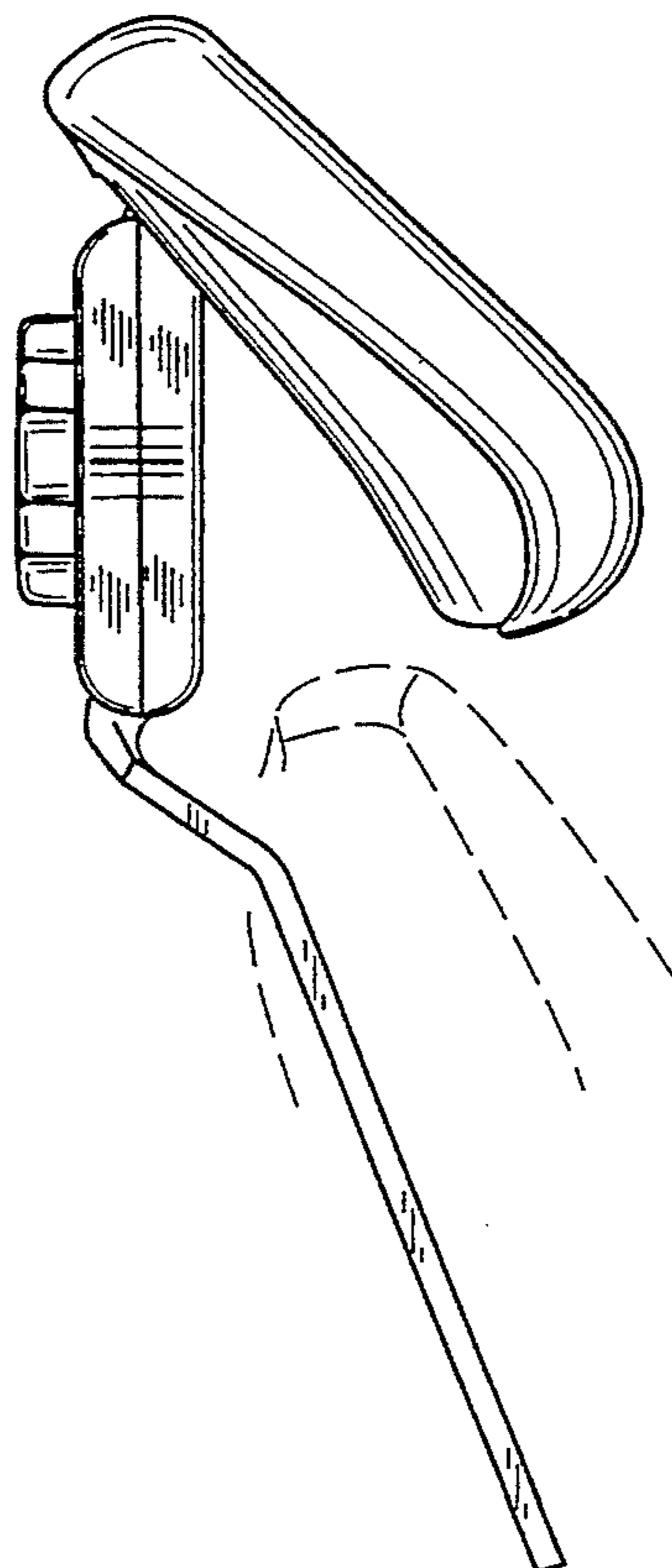


FIG. 10

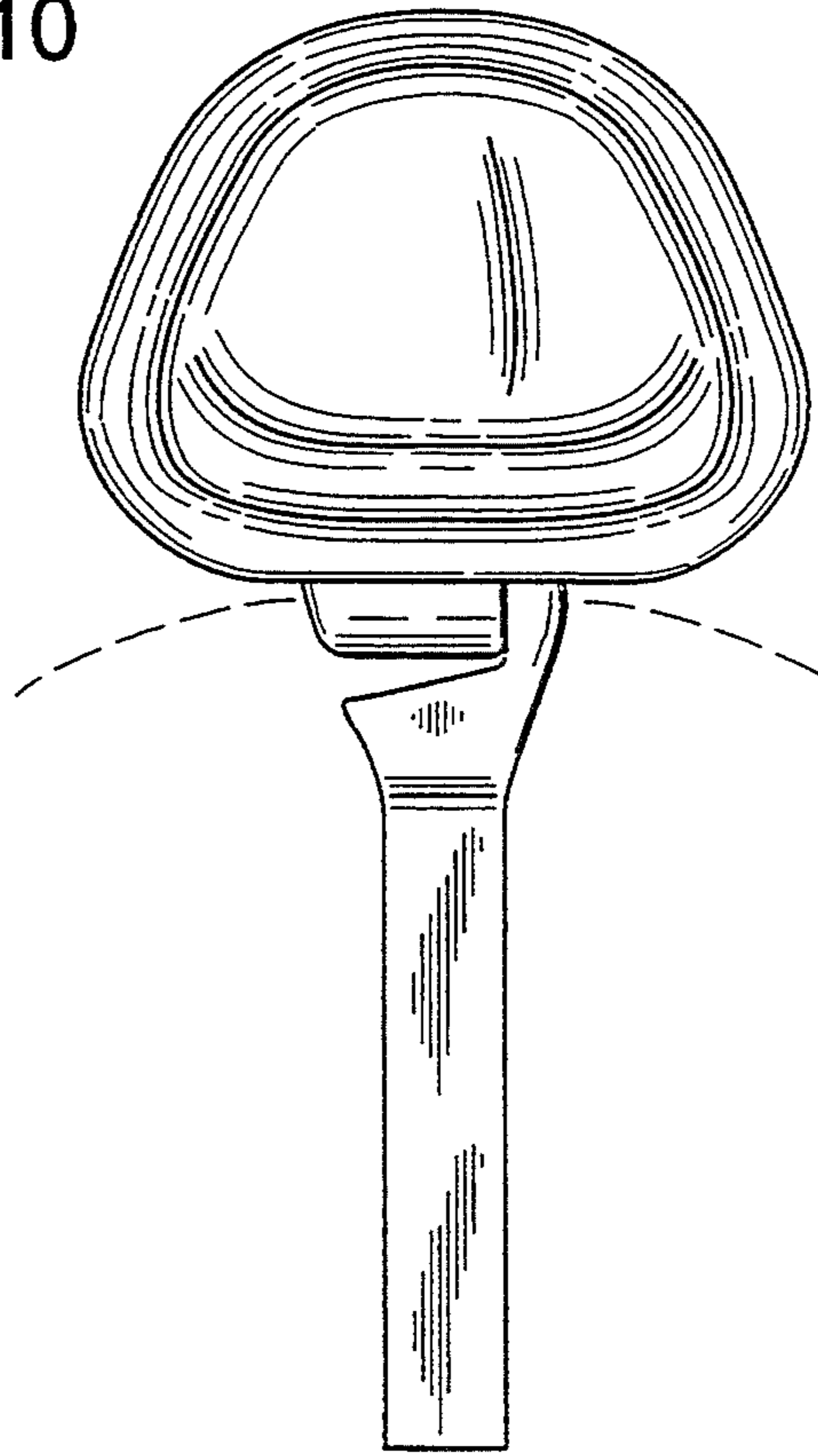


FIG. 11

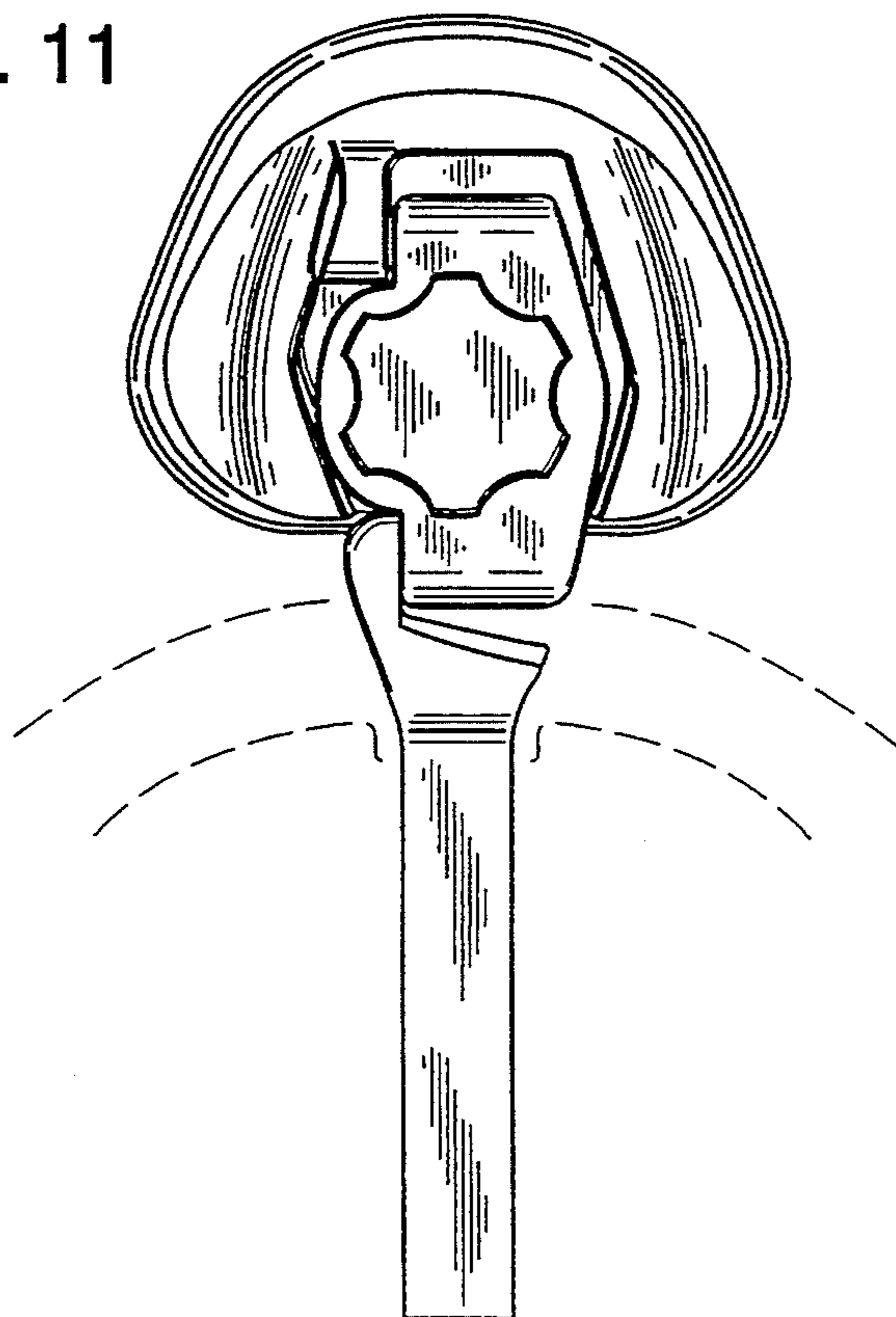


FIG. 12

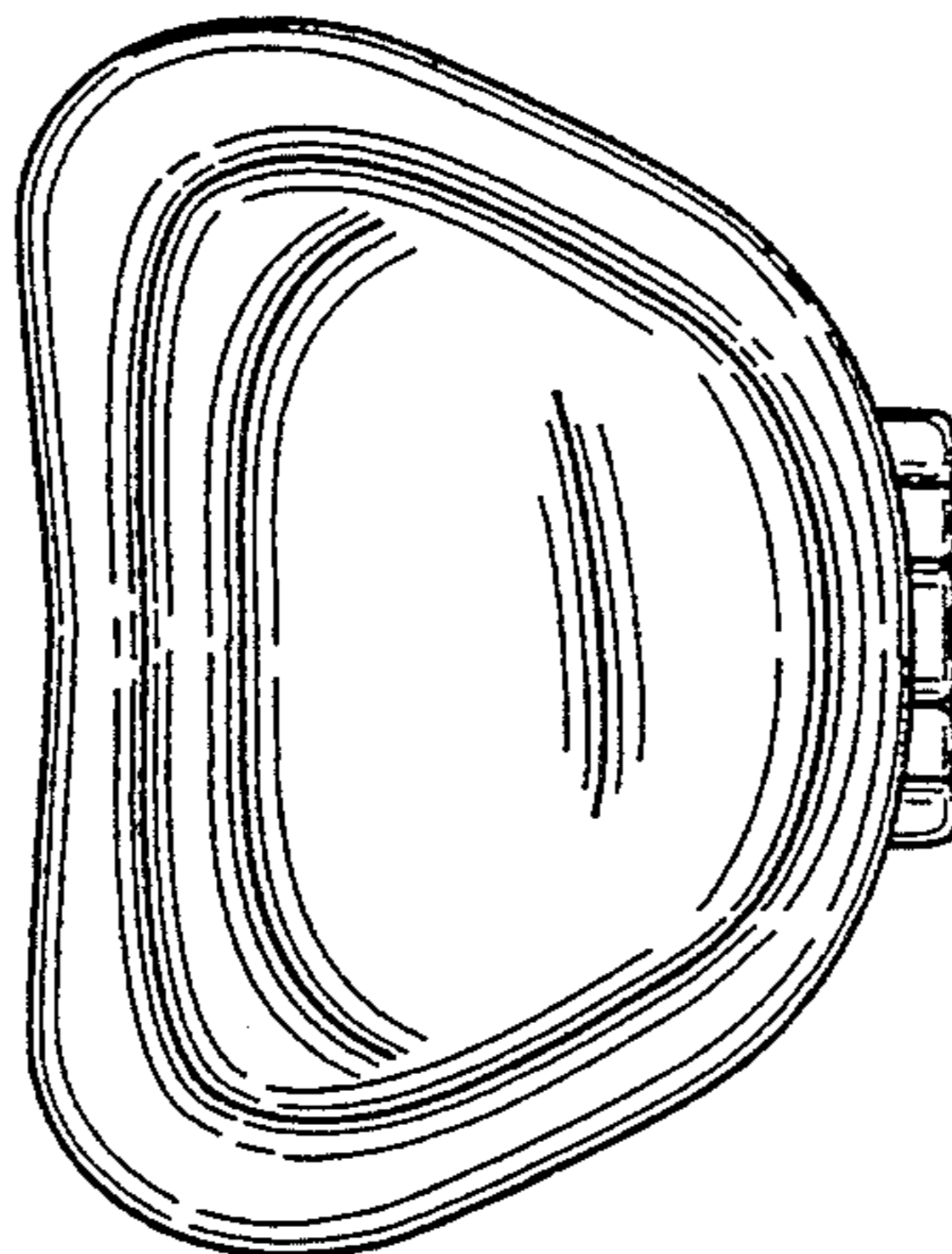


FIG. 13

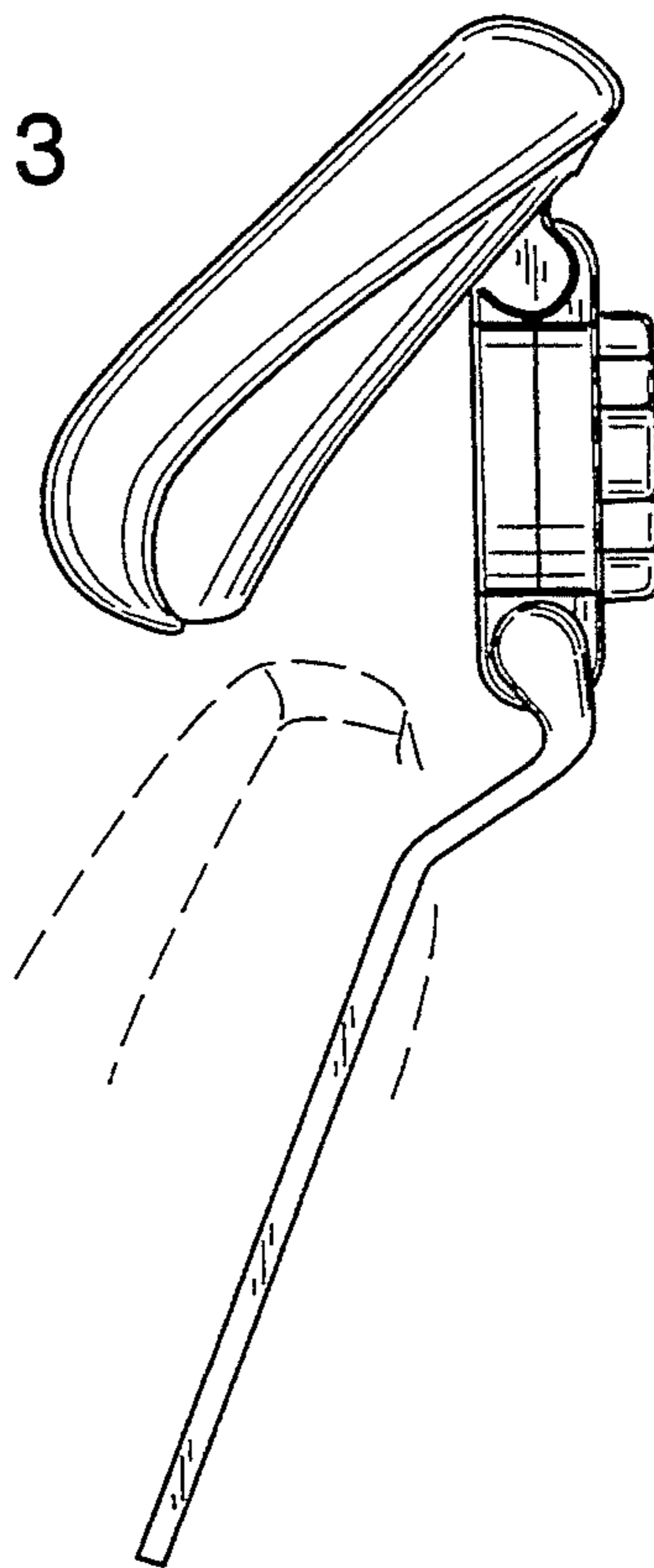


FIG. 14

