



US00D357833S

United States Patent [19]

[11] Patent Number: **Des. 357,833**

Newhouse

[45] Date of Patent: **** May 2, 1995**

- [54] **CABINET PANEL AND HANDLE**
- [75] Inventor: **Thomas J. Newhouse**, Grand Rapids, Mich.
- [73] Assignee: **Meridian, Inc.**, Spring Lake, Mich.
- [**] Term: **14 Years**
- [21] Appl. No.: **900,958**
- [22] Filed: **Jun. 18, 1992**
- [52] U.S. Cl. **D6/494**
- [58] Field of Search **D8/300, 313, 314; 16/110 R, 124; D6/446, 448, 492, 494; 312/348.4, 348.6**

Attorney, Agent, or Firm—Willian Brinks Hofer Gilson & Lione

[57] **CLAIM**

The ornamental design for a cabinet panel and handle, as shown and described.

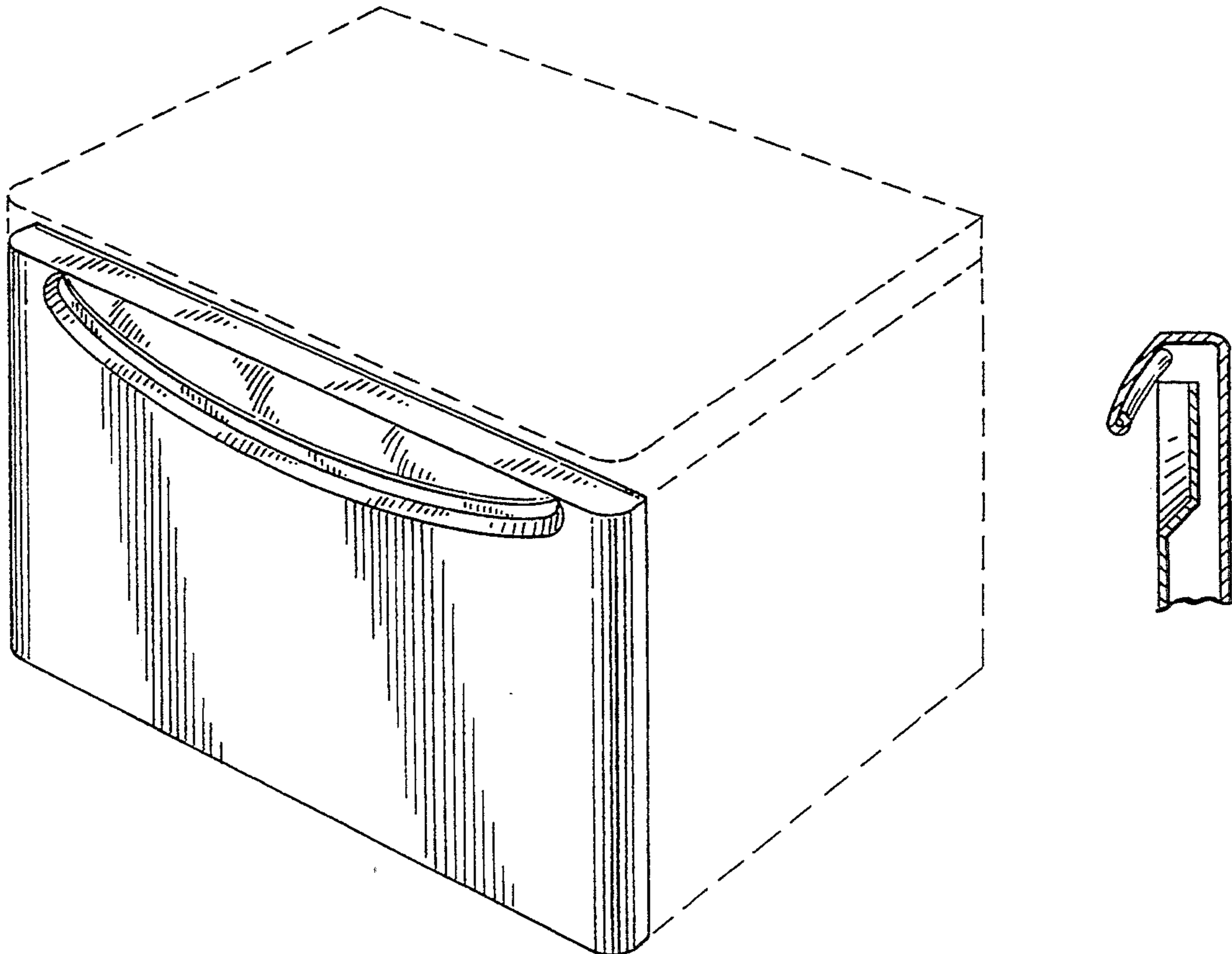
DESCRIPTION

FIG. 1 is a top front perspective view of a cabinet panel and handle showing my new design; FIG. 2 is a reduced front elevational view thereof; FIG. 3 is a reduced top plan view thereof; FIG. 4 is a reduced left side elevational view thereof, the right side being a mirror image of the left side; FIG. 5 is an enlarged fragmentary sectional view taken in the direction of the arrows on line 5—5 of FIG. 2; FIG. 6 is an enlarged fragmentary sectional view taken in the direction of the arrows on line 6—6 of FIG. 2; FIG. 7 is a reduced bottom plan view thereof; and FIG. 8 is a reduced rear elevational view thereof. The fragmentary broken line representation of a cabinet top and housing in FIGS. 1-4 and 7-8 is for purposes of illustration only and forms no part of the claimed design.

[56] **References Cited**
U.S. PATENT DOCUMENTS

| | | | | |
|------------|---------|------------|-------|--------|
| D. 159,488 | 8/1950 | Jiranek | | D6/446 |
| D. 212,686 | 11/1968 | Fowler | | D8/313 |
| D. 247,663 | 4/1978 | Spellier | | D8/313 |
| D. 248,624 | 7/1978 | Spellier | | D8/313 |
| 2,793,386 | 5/1957 | Muhlhauser | | D8/313 |

Primary Examiner—B. J. Bullock



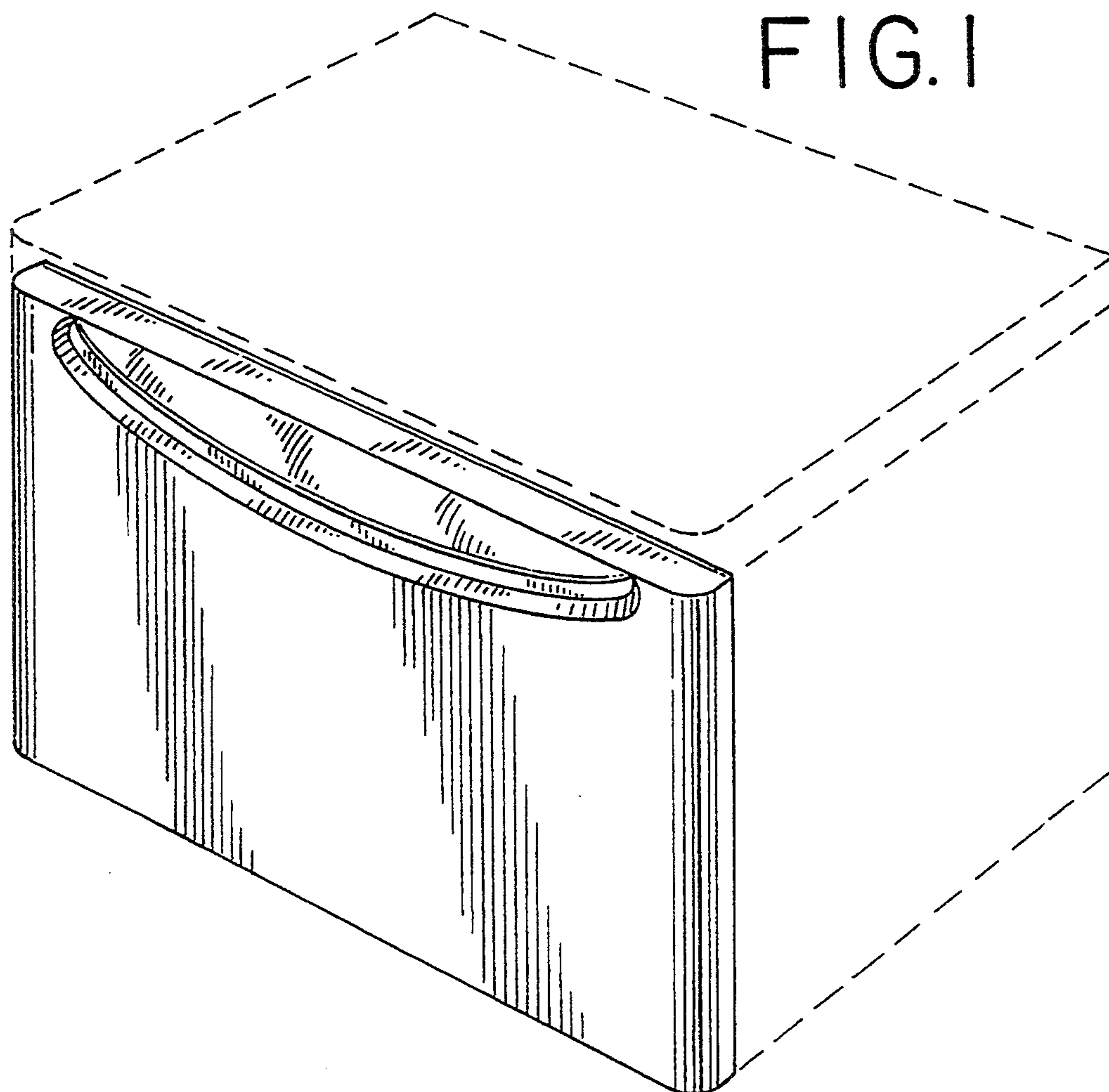


FIG. 2

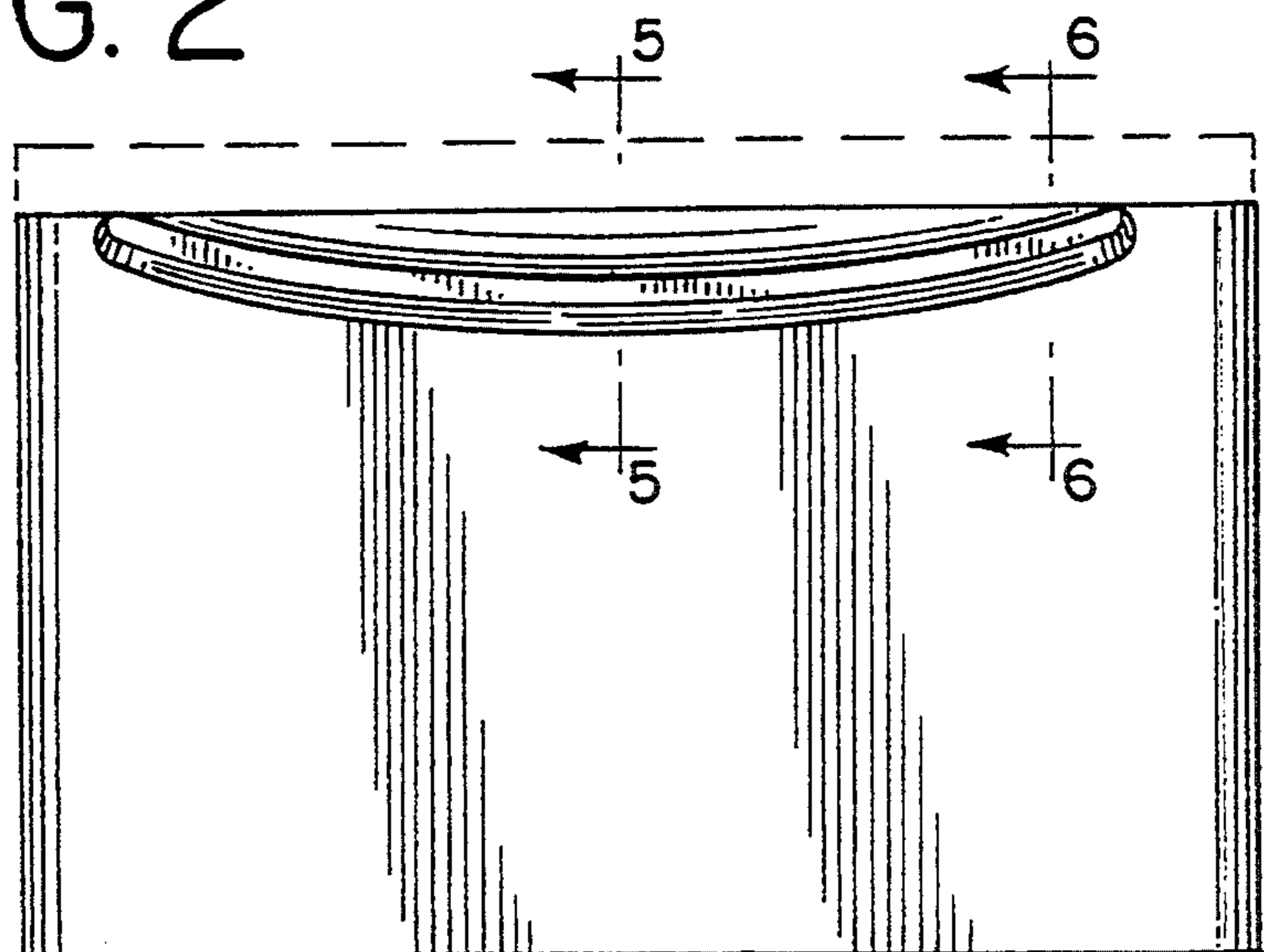


FIG. 7

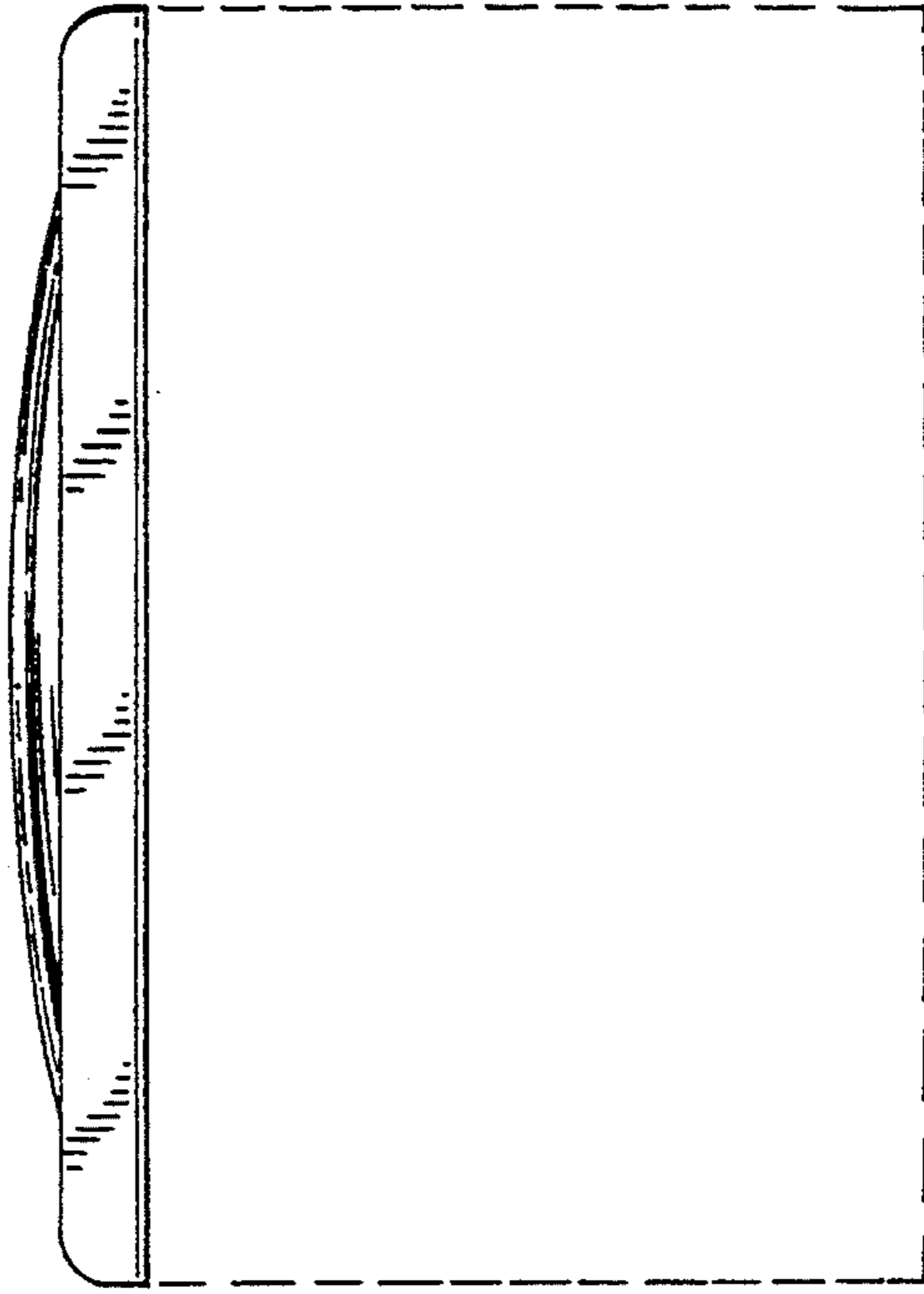


FIG. 5

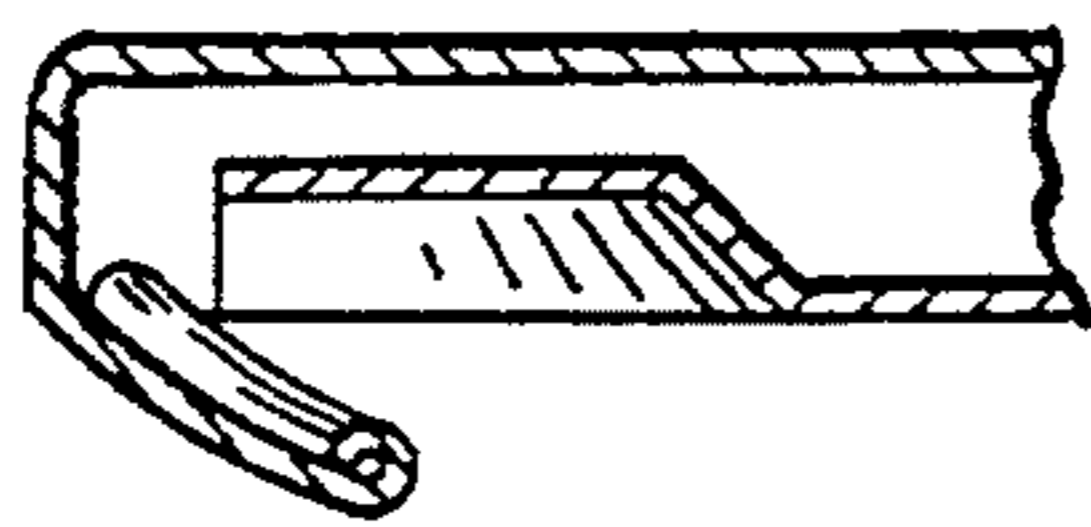


FIG. 8

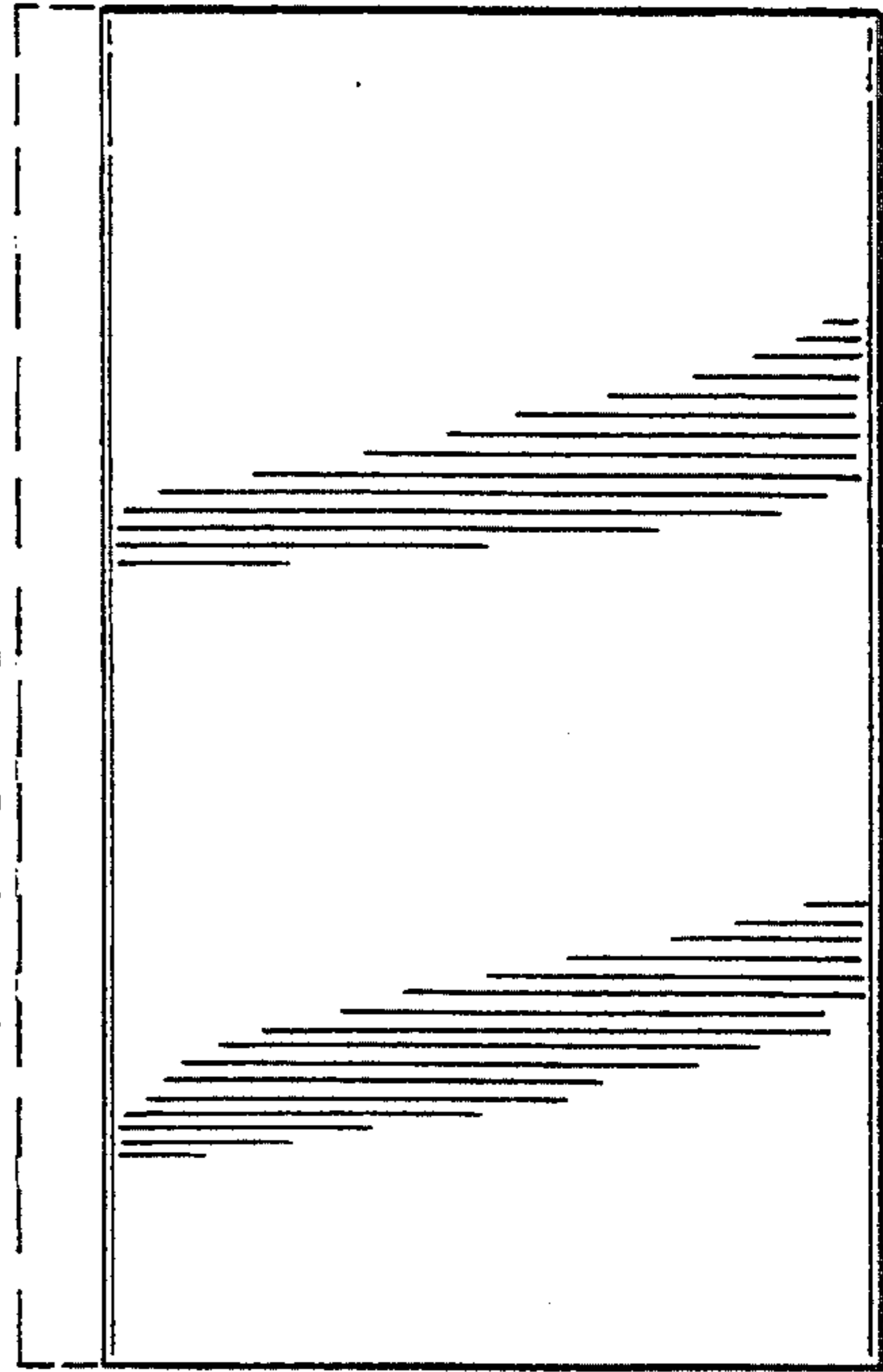


FIG. 6

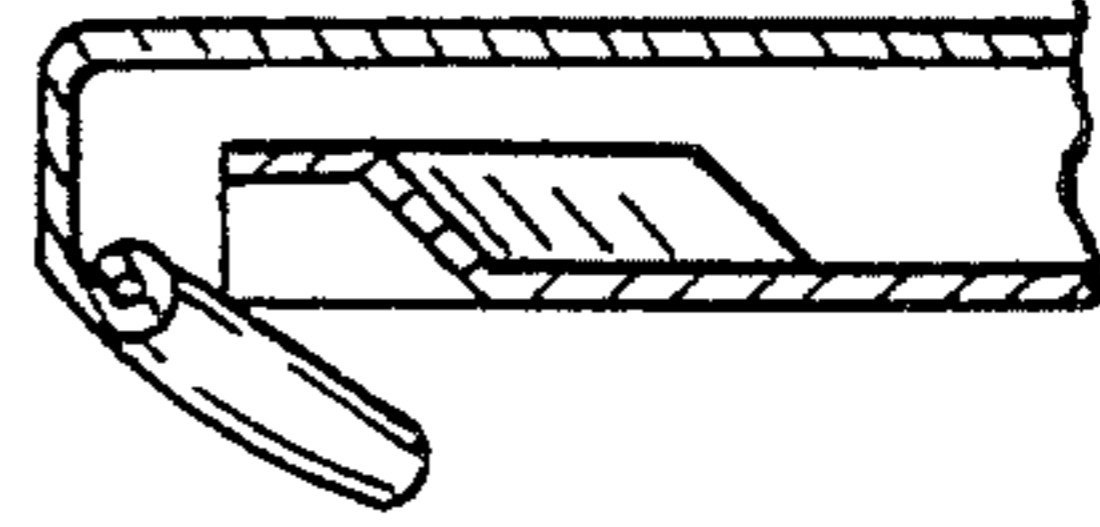


FIG. 3

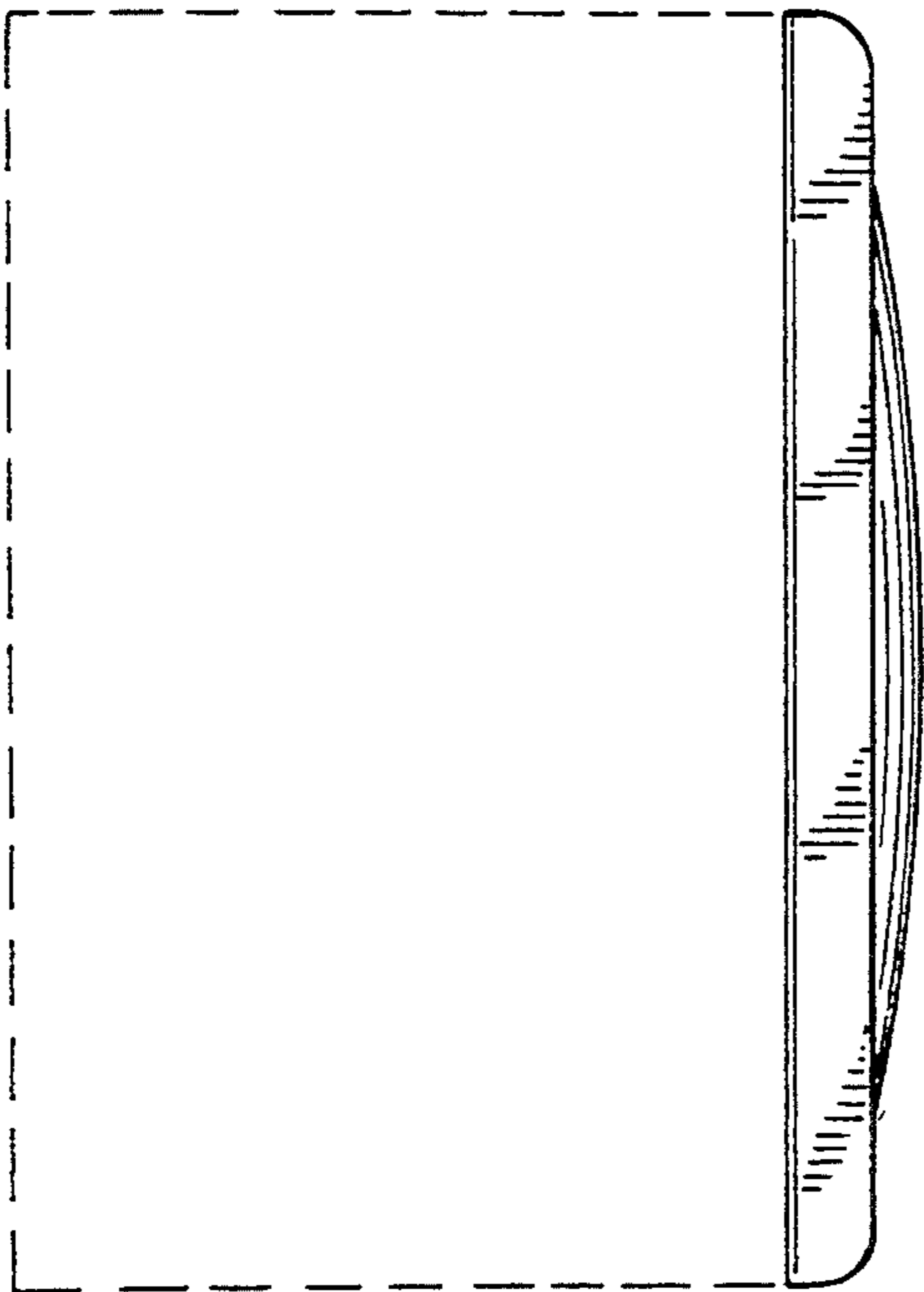


FIG. 4

