



US00D357832S

United States Patent [19]
Yeh

[11] **Patent Number: Des. 357,832**

[45] **Date of Patent: ** May 2, 1995**

[54] **END TABLE**

[76] **Inventor: John Yeh, 660 S. Aberdeen, Anaheim Hills, Calif. 92807**

[**] **Term: 14 Years**

[21] **Appl. No.: 17,808**

[22] **Filed: Jan. 24, 1994**

[52] **U.S. Cl. D6/488; D6/484; D6/487**

[58] **Field of Search D6/480-489, D6/495, 499; 108/153, 156, 161**

[56] **References Cited**

U.S. PATENT DOCUMENTS

D. 238,129 12/1975 Jay D6/484

OTHER PUBLICATIONS

Heritage-Connoisseur Collection ©1986, p. 9 Lamp Table at bottom right.

DIA-1988, p. 16 #1065-3 at top left.

DIA.-1988, p. 14, #628-3 at top right.

Primary Examiner—Janice E. Seeger

Attorney, Agent, or Firm—Francis X. LoJacono

[57] **CLAIM**

The ornamental design for an end table, as shown and described.

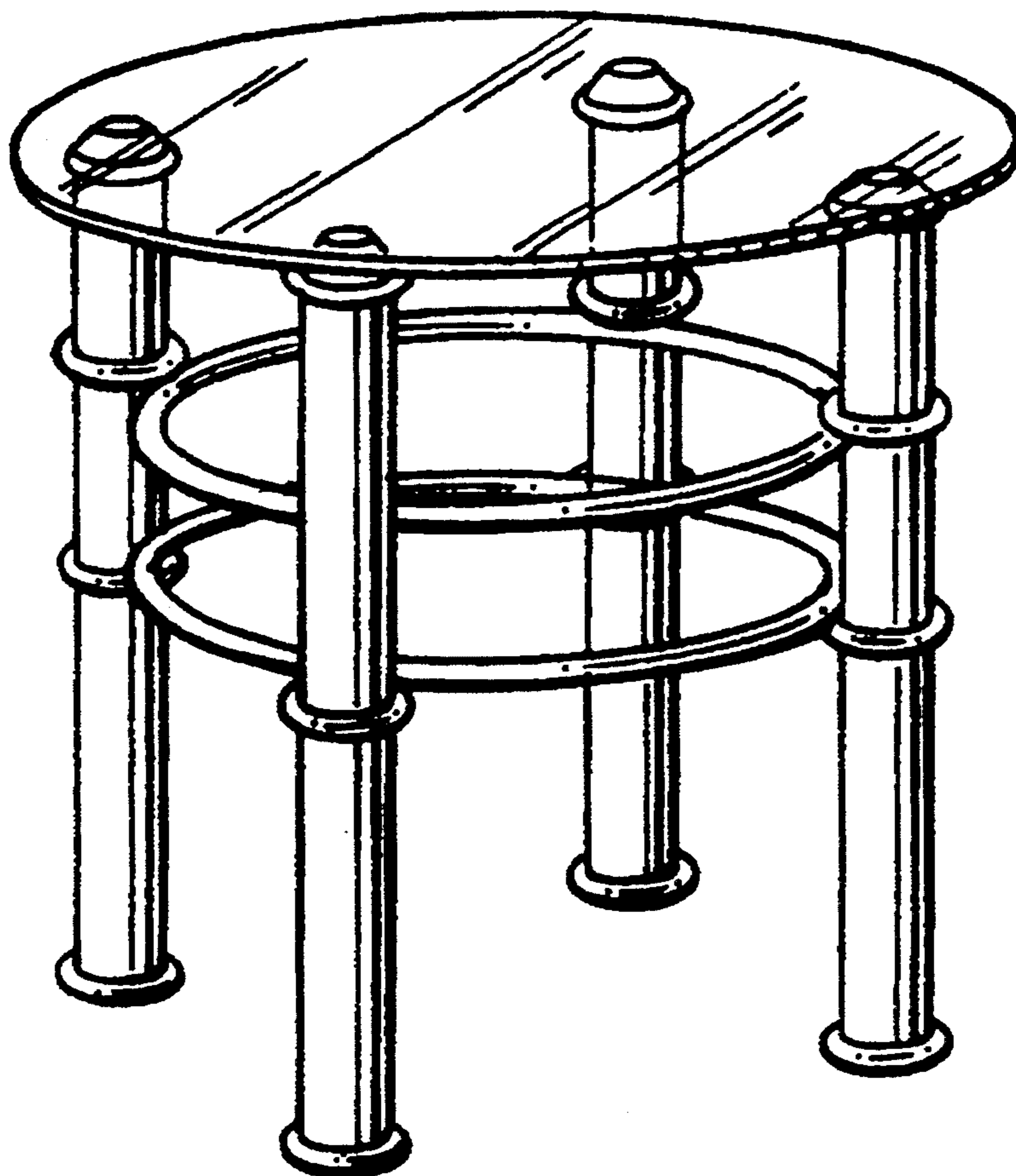
DESCRIPTION

FIG. 1 is a perspective view of an end table showing my new design thereof;

FIG. 2 is a side-elevation view thereof;

FIG. 3 is a top plan view thereof; and,

FIG. 4 is a bottom plan view.



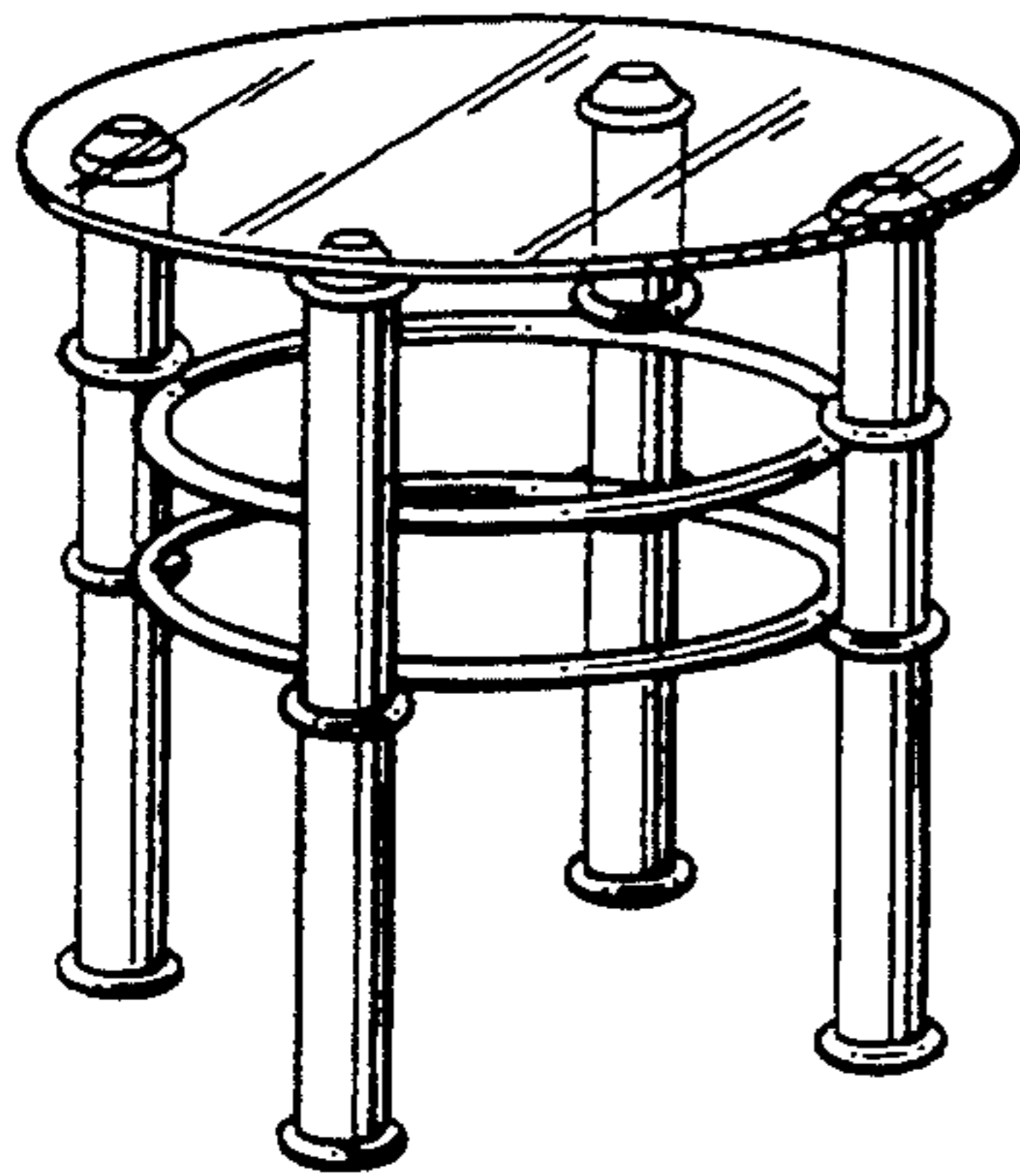


FIG. 1

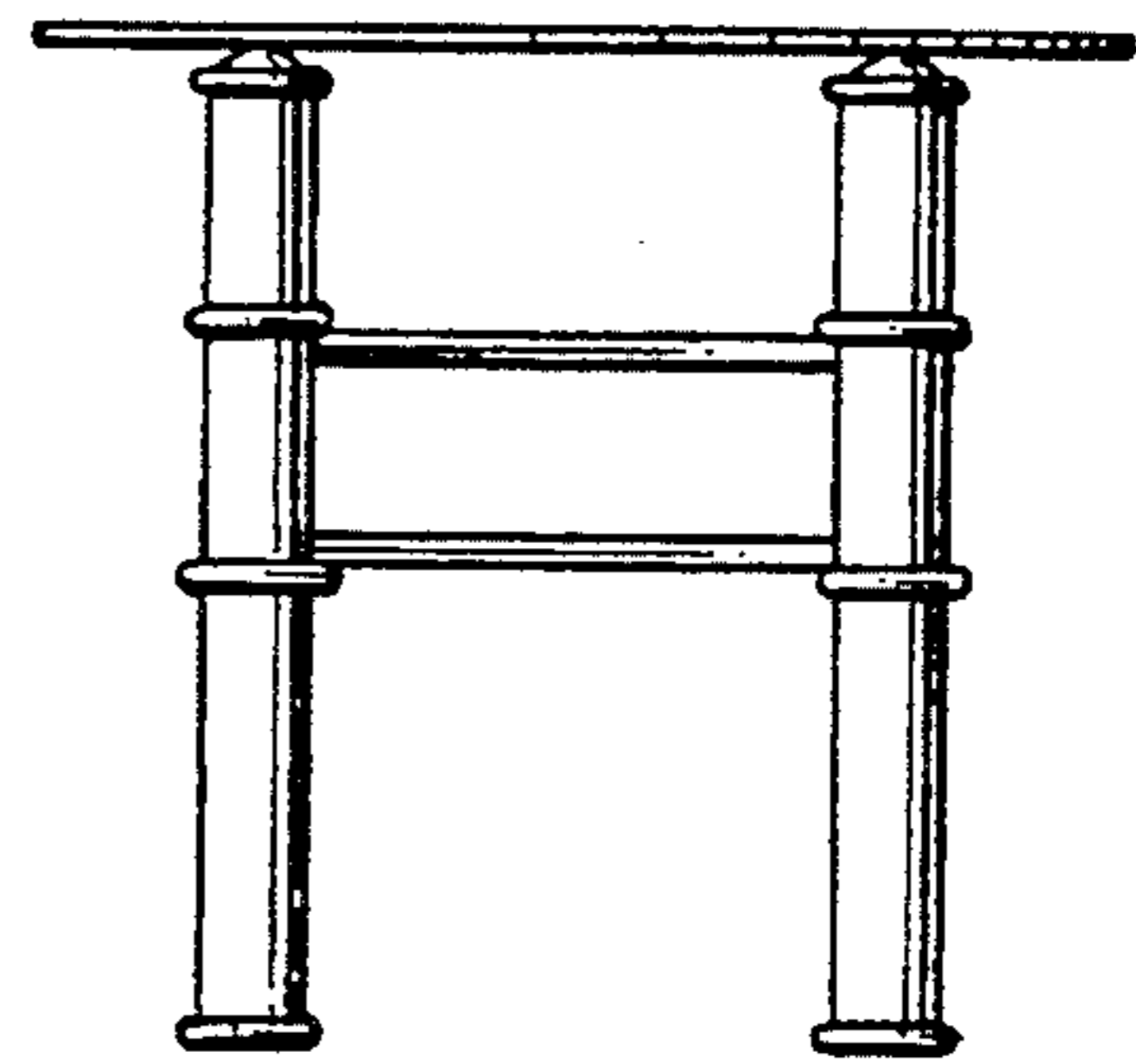


FIG. 2

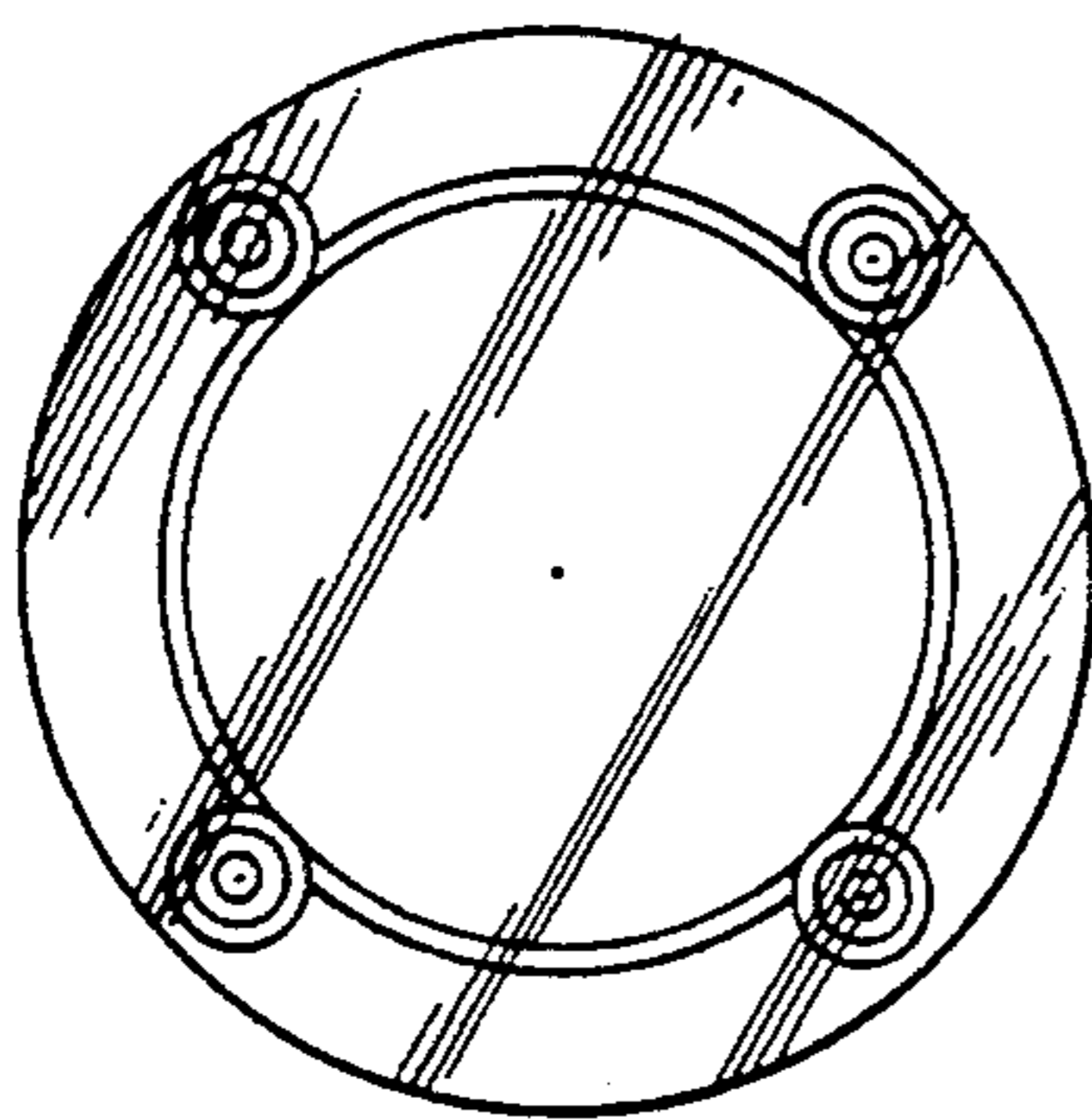


FIG. 3

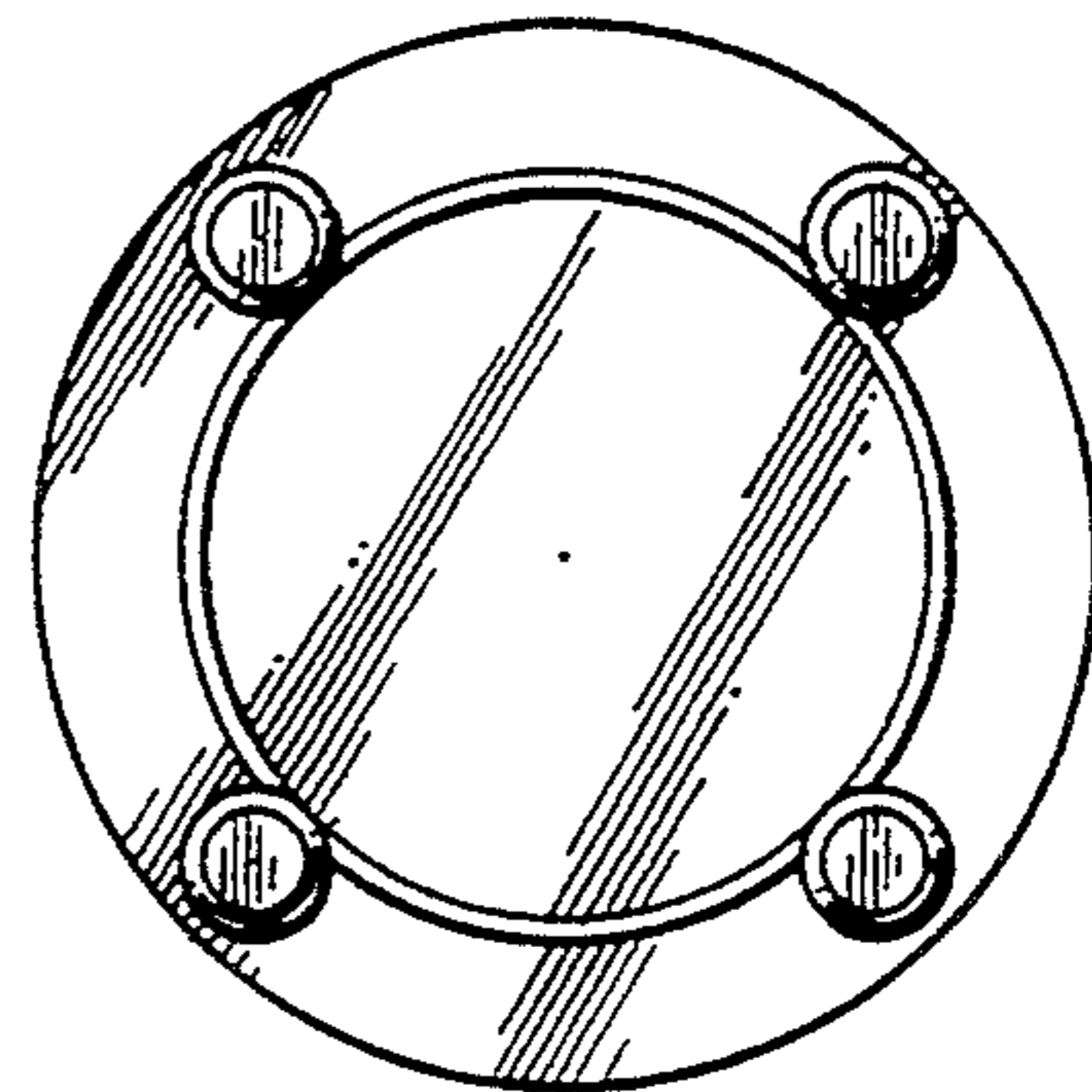


FIG. 4