



US00D357831S

United States Patent [19]
Yeh

[11] **Patent Number: Des. 357,831**

[45] **Date of Patent: ** May 2, 1995**

[54] **COFFEE TABLE**

[76] Inventor: **John Yeh**, 660 S. Aberdeen, Anaheim Hills, Calif. 92807

[**] Term: **14 Years**

[21] Appl. No.: **17,809**

[22] Filed: **Jan. 24, 1994**

[52] U.S. Cl. **D6/487; D6/480**

[58] Field of Search **D6/480-489, D6/495, 499; 108/153, 156, 161**

[56] **References Cited**

U.S. PATENT DOCUMENTS

- D. 238,129 12/1975 Jay D6/484
- D. 335,056 4/1993 Ma D6/480 X

OTHER PUBLICATIONS

DIA—1988, p. 16, #1025-23 at left and center.

DIA—1988, p. 27, #628-41, at lower left.
Heritage-Connoisseur Collection, ©1986, p. 8
#168-147, at bottom of page.

Primary Examiner—Janice E. Seeger
Attorney, Agent, or Firm—Francis X. LoJacono

[57] **CLAIM**

The ornamental design for a coffee table, as shown and described.

DESCRIPTION

FIG. 1 is a perspective view of a coffee table showing my new design thereof;
FIG. 2 is a front-elevational view thereof;
FIG. 3 is a right side-elevational view thereof;
FIG. 4 is a left side-elevational view thereof;
FIG. 5 is a top plan view thereof;
FIG. 6 is a bottom plan view thereof; and,
FIG. 7 is a rear-elevational view thereof.

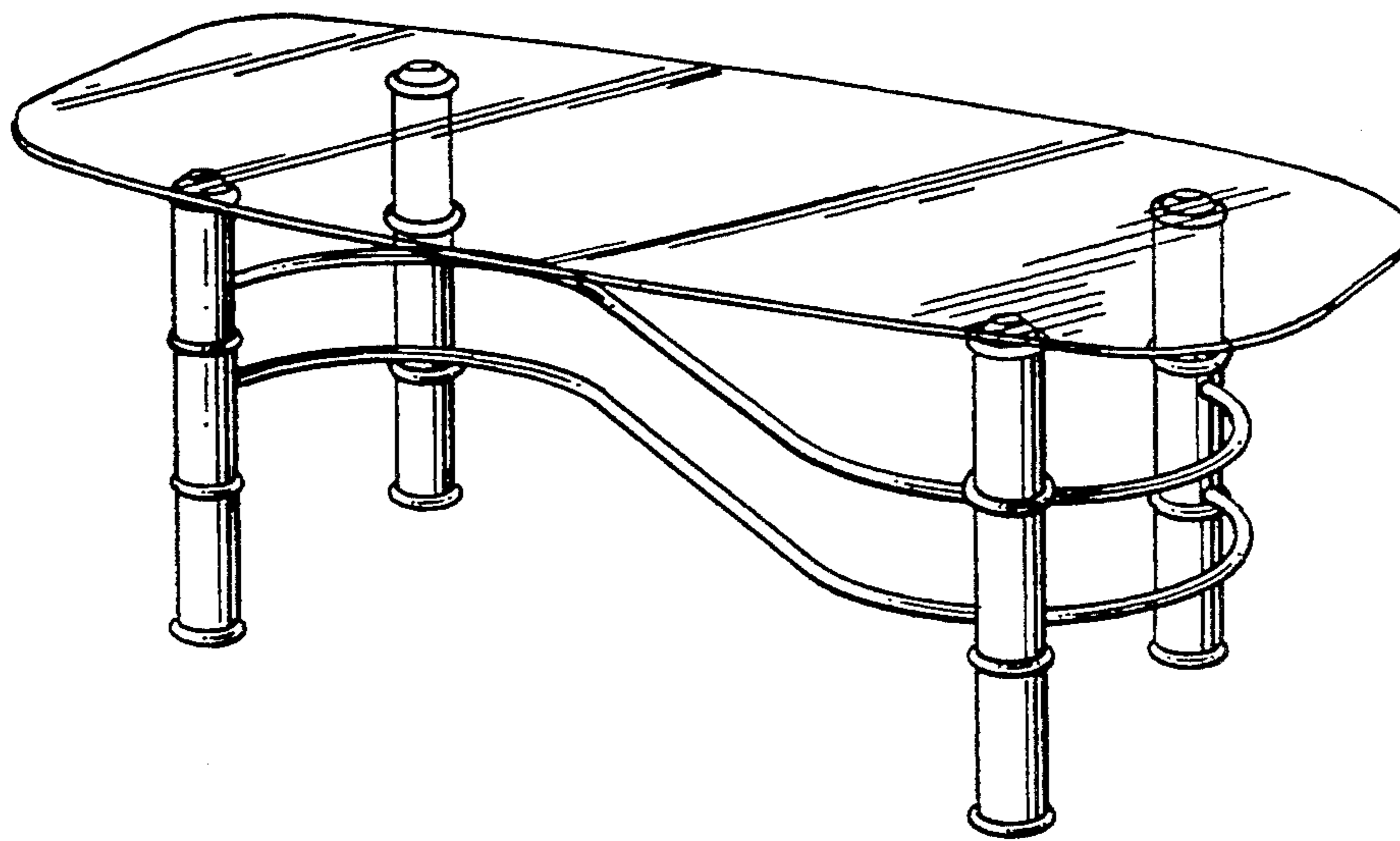


FIG. 1

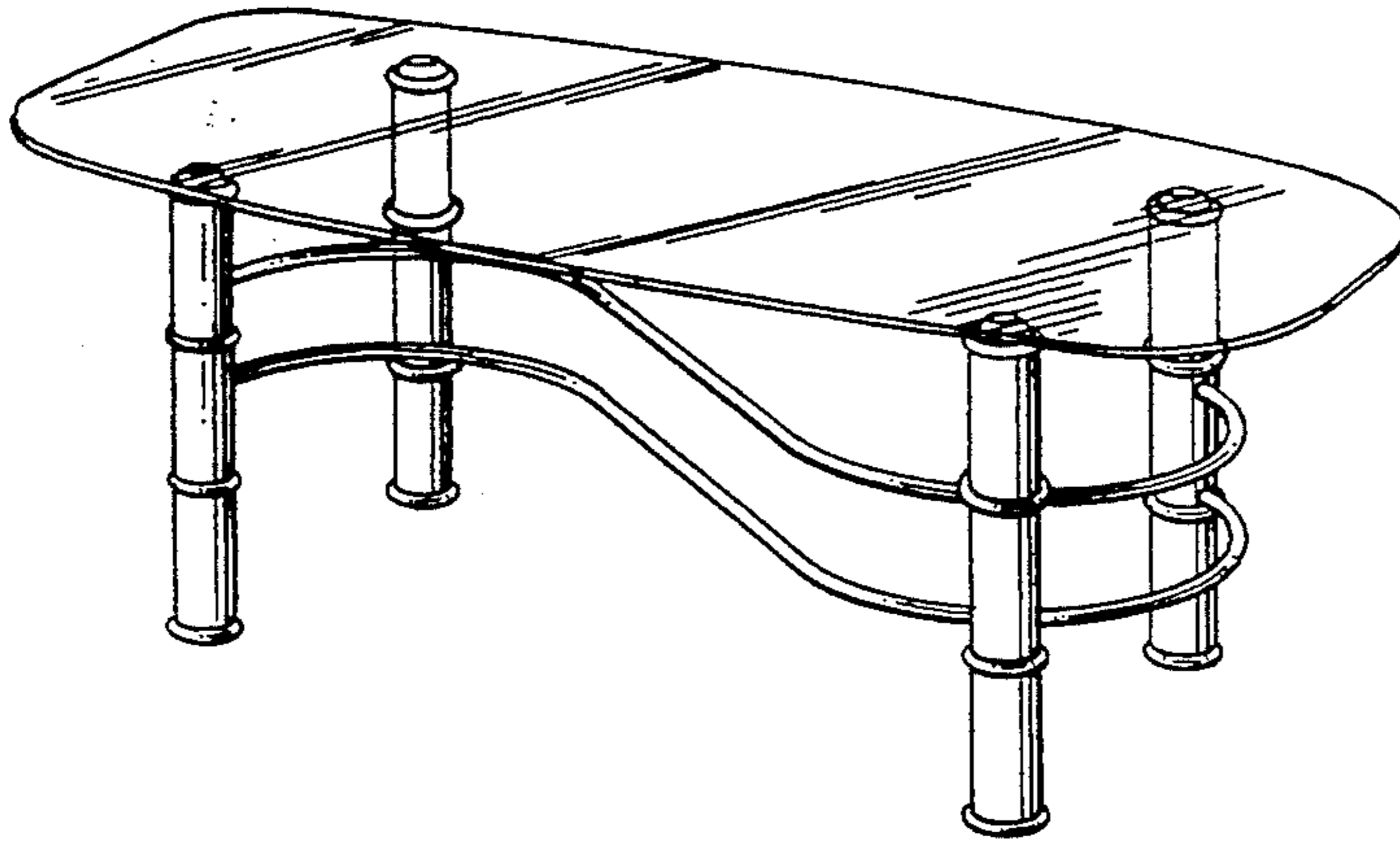


FIG. 3

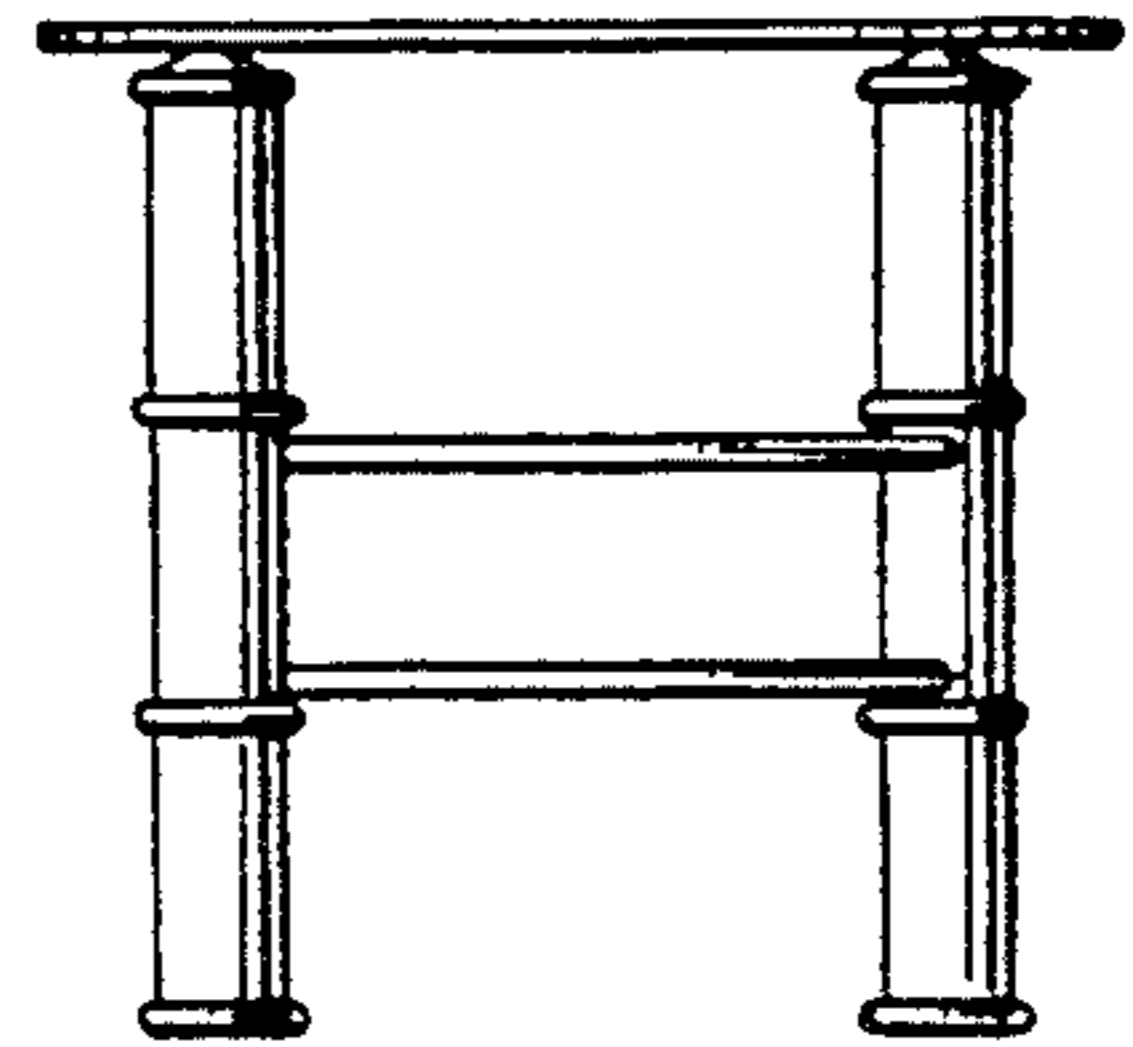


FIG. 2

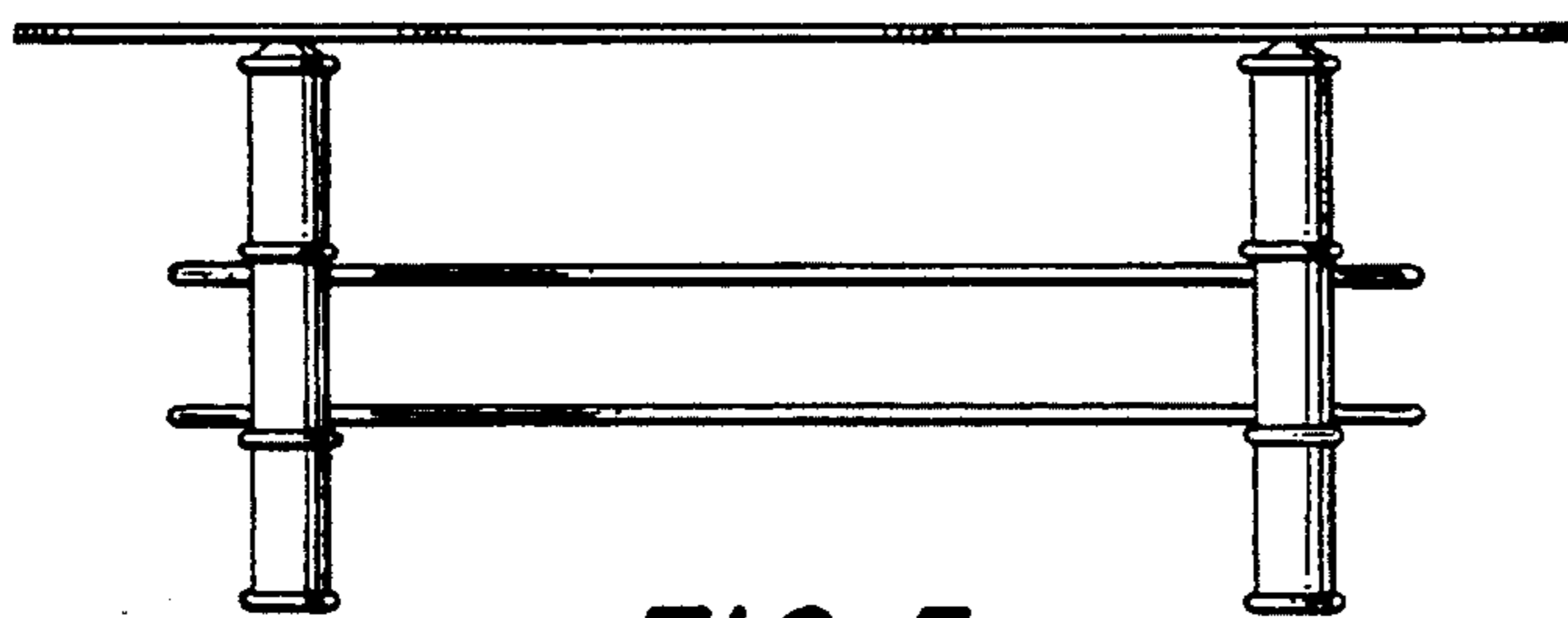


FIG. 4

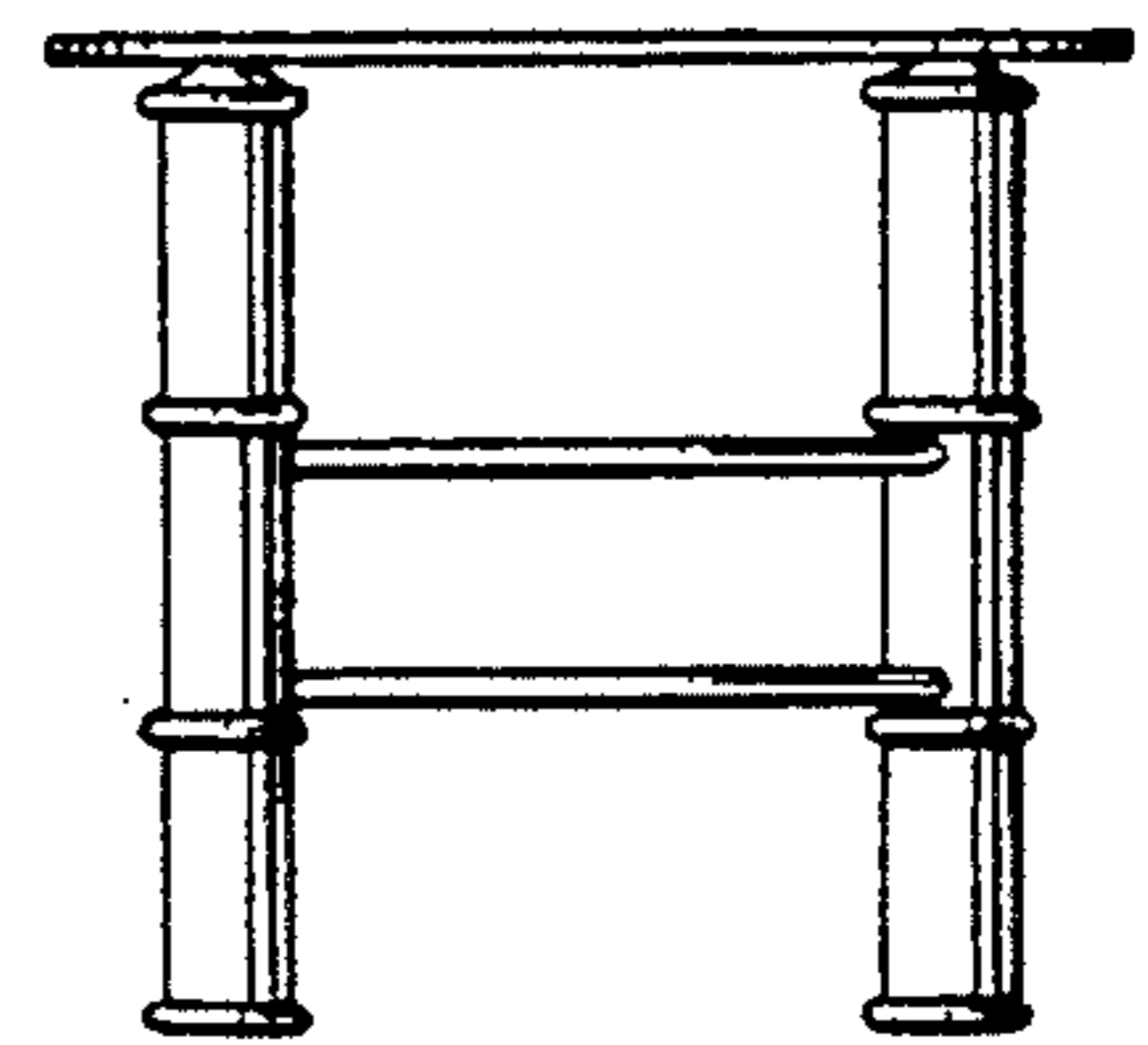


FIG. 5

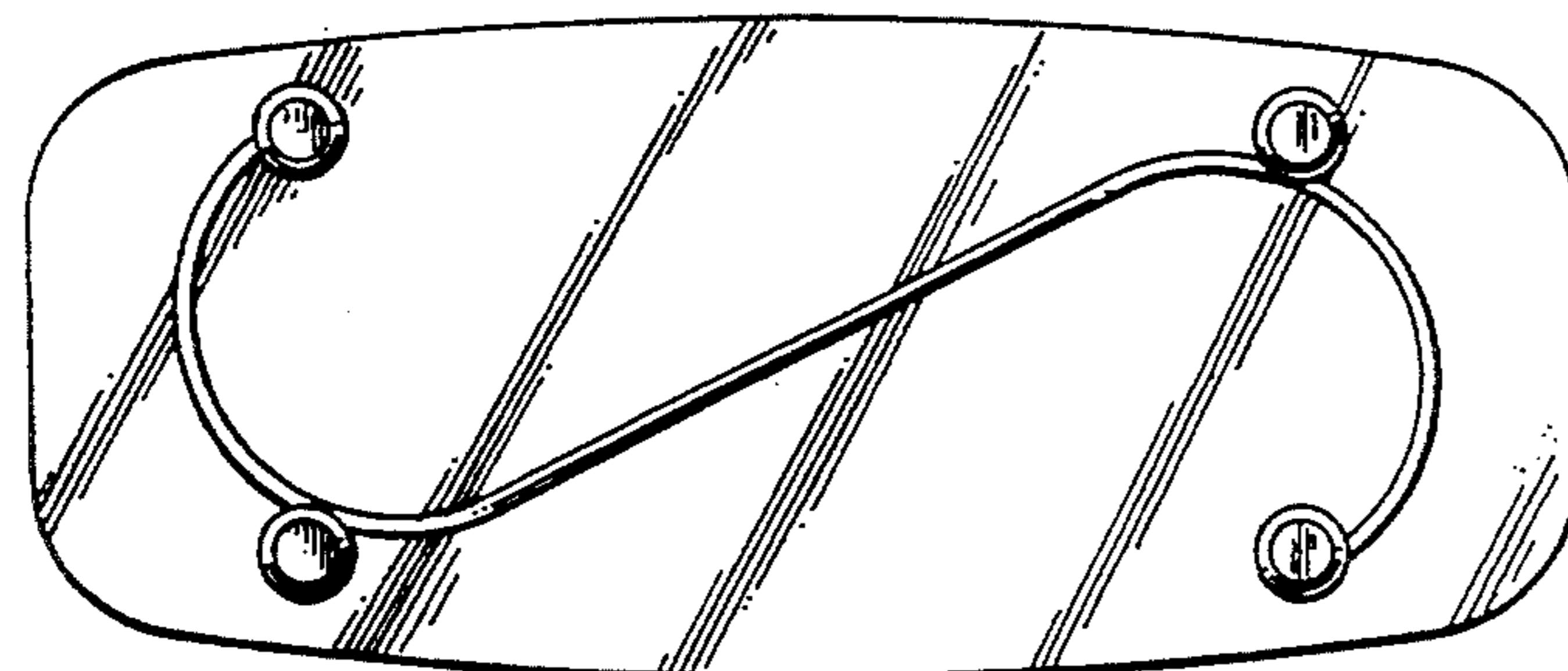
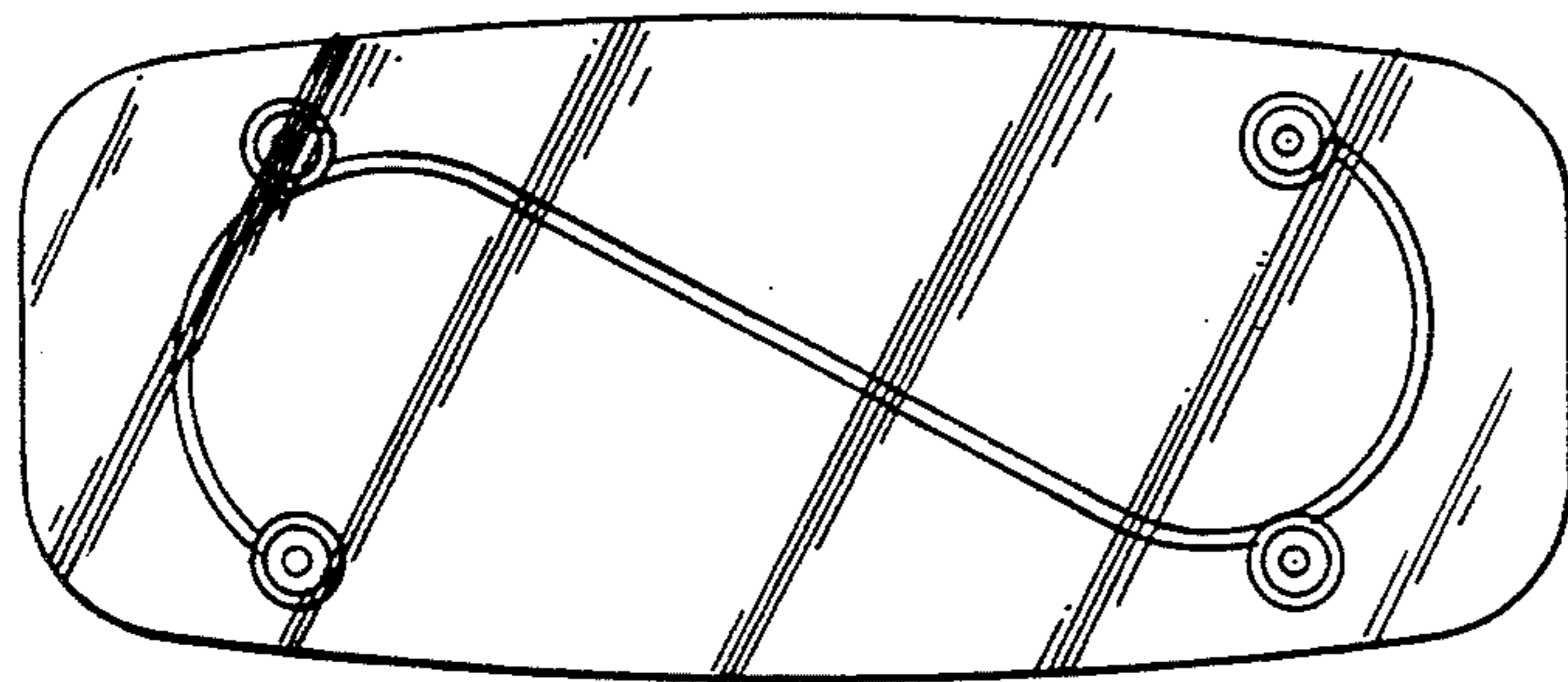


FIG. 6

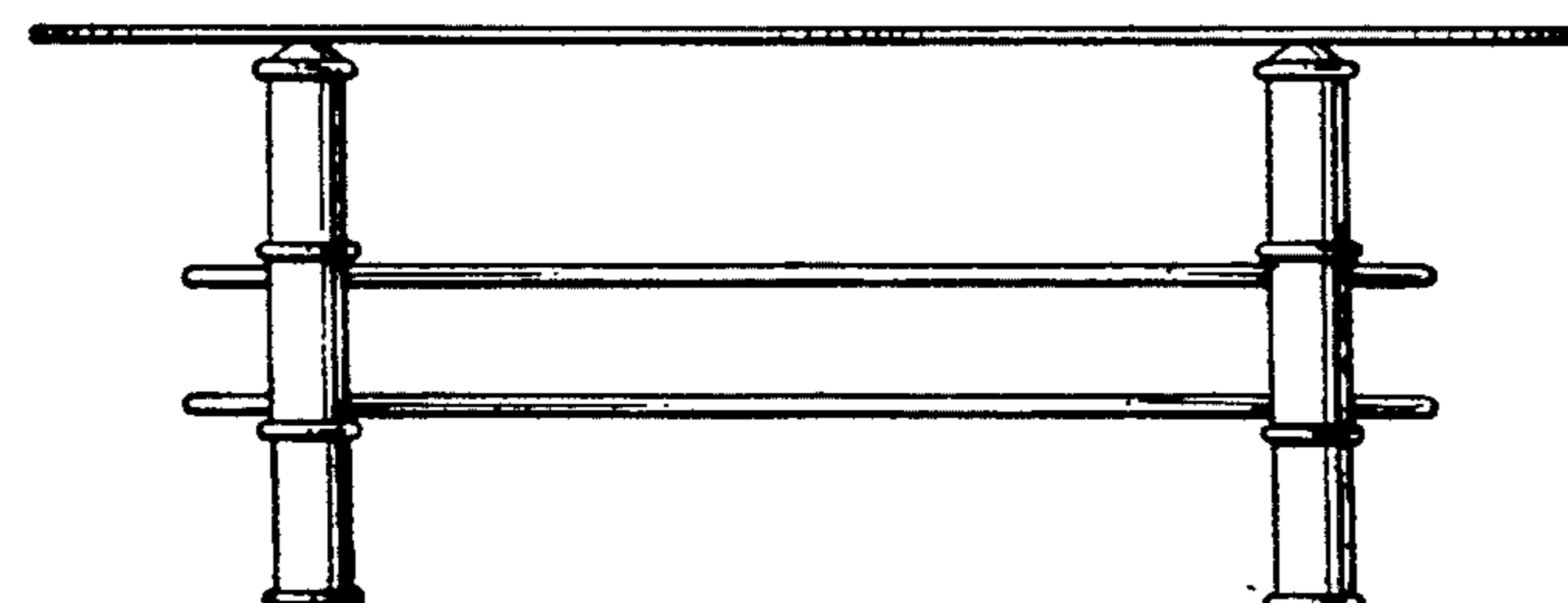


FIG. 7