



US00D357828S

United States Patent [19]

[11] Patent Number: **Des. 357,828**

Liao

[45] Date of Patent: **** May 2, 1995**

- [54] **COLLAPSIBLE GUITAR STAND**
- [75] Inventor: **Tsun-Chi Liao**, Taichung, Taiwan, Prov. of China
- [73] Assignee: **Hwa Shin Musical Instrument Co., Ltd.**, Taichung, Taiwan, Prov. of China
- [**] Term: **14 Years**
- [21] Appl. No.: **8,089**
- [22] Filed: **May 10, 1993**
- [52] U.S. Cl. **D6/466**
- [58] Field of Search **D6/466, 467, 310, 311; 211/13, 14, 15; 248/176, 441.1**

4,205,818 6/1980 Lawler 211/13 X

OTHER PUBLICATIONS

Grossman Music Corp. Catalog, 1968, p. 361.
 Mannys Mailbox Music Catalog, Winter '92/93, p. 16.
 Friend Discount Catalog, Summer/Fall 1993, p. 71.

Primary Examiner—Alan P. Douglas
Assistant Examiner—S. Snapp
Attorney, Agent, or Firm—Bacon & Thomas

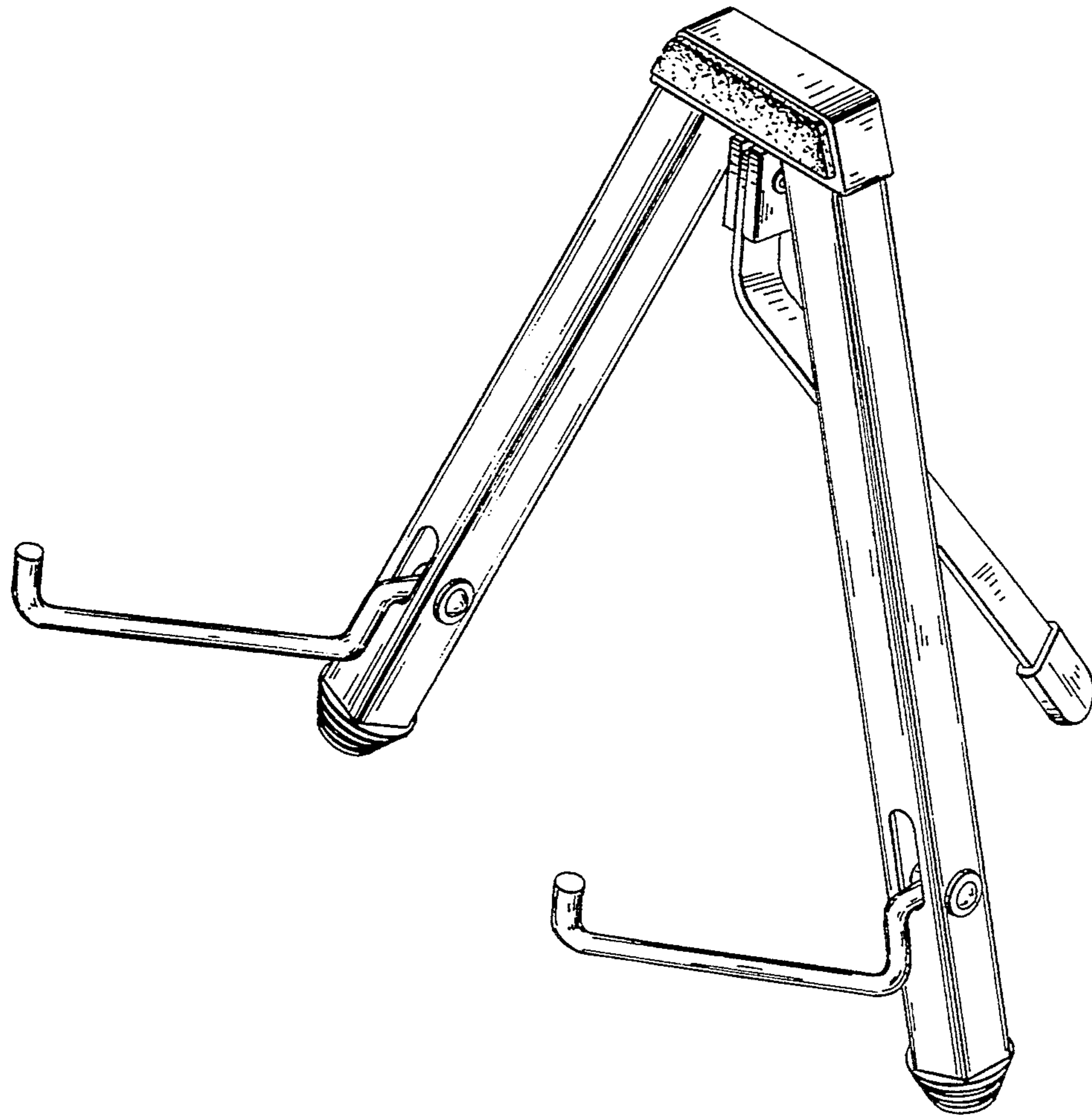
[57] CLAIM

The ornamental design for collapsible guitar stand, as shown and described.

DESCRIPTION

FIG. 1 is a perspective view of collapsible guitar stand taken from above showing my new design thereof; FIG. 2 is a front elevational view thereof; FIG. 3 is a rear elevational view thereof; FIG. 4 is a right side elevational view thereof; and the left side elevational view being the mirror image thereof; FIG. 5 is a top plan view thereof; and, FIG. 6 is a bottom plan view thereof.

- [56] **References Cited**
- U.S. PATENT DOCUMENTS**
- D. 260,589 9/1981 O'Brien D6/449 X
- D. 291,153 8/1987 Nakatani D6/300 X
- D. 329,342 9/1992 Schoenig D6/466
- D. 332,882 2/1993 Graves D6/466
- D. 339,484 9/1993 Greene et al. D21/223 X
- 3,958,786 5/1976 Mann 248/176



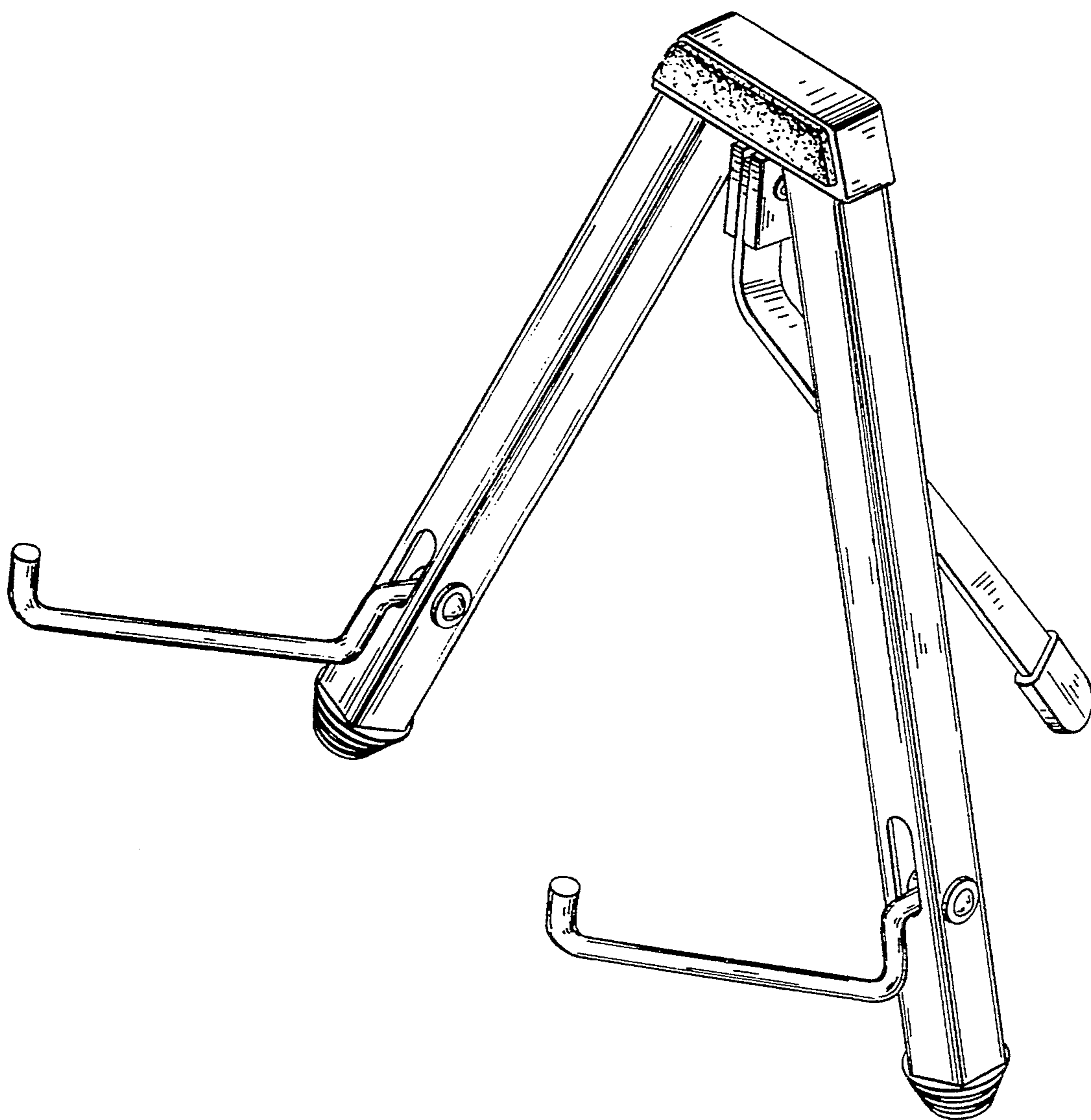


Fig. 1

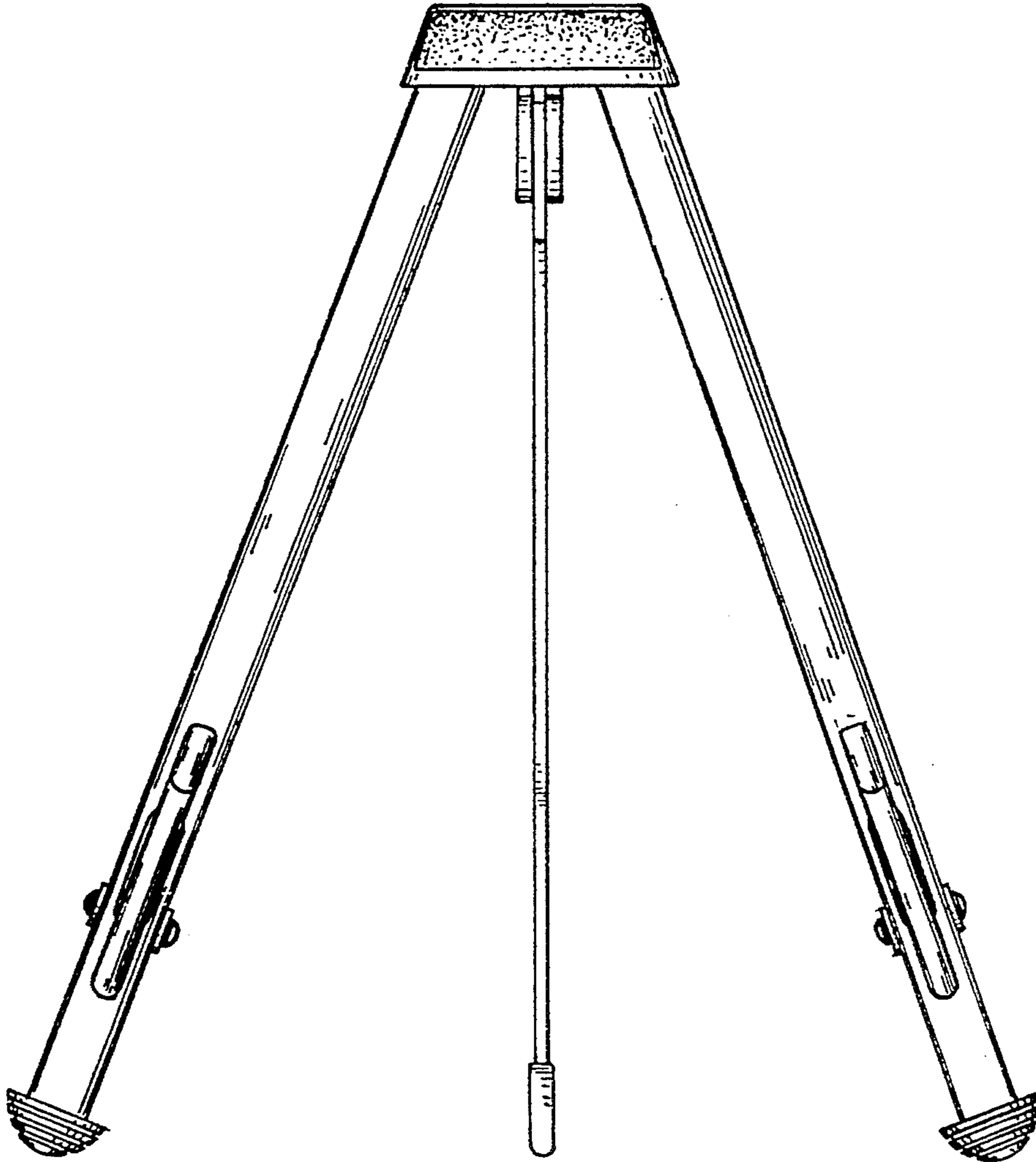


Fig. 2

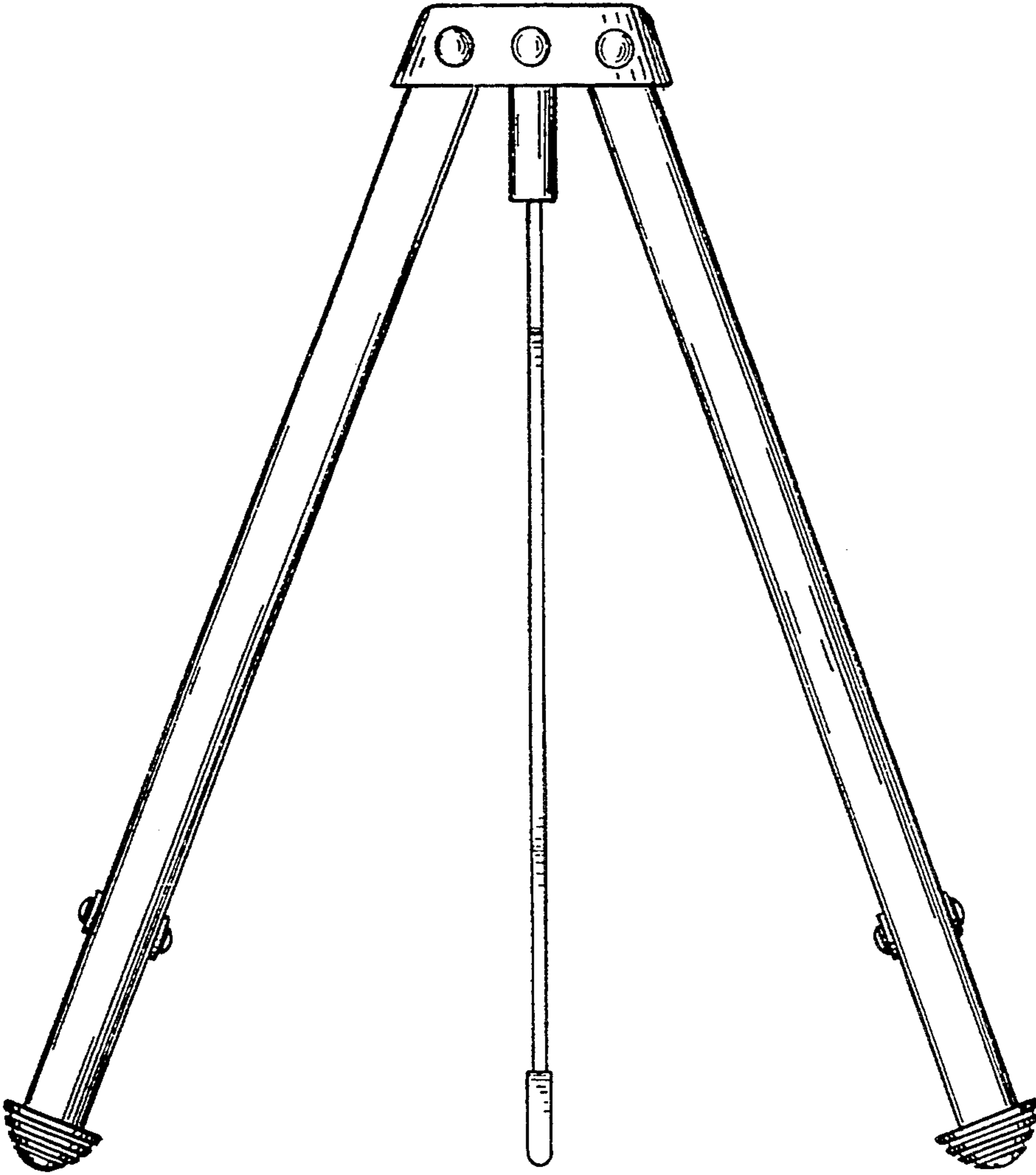


Fig. 3

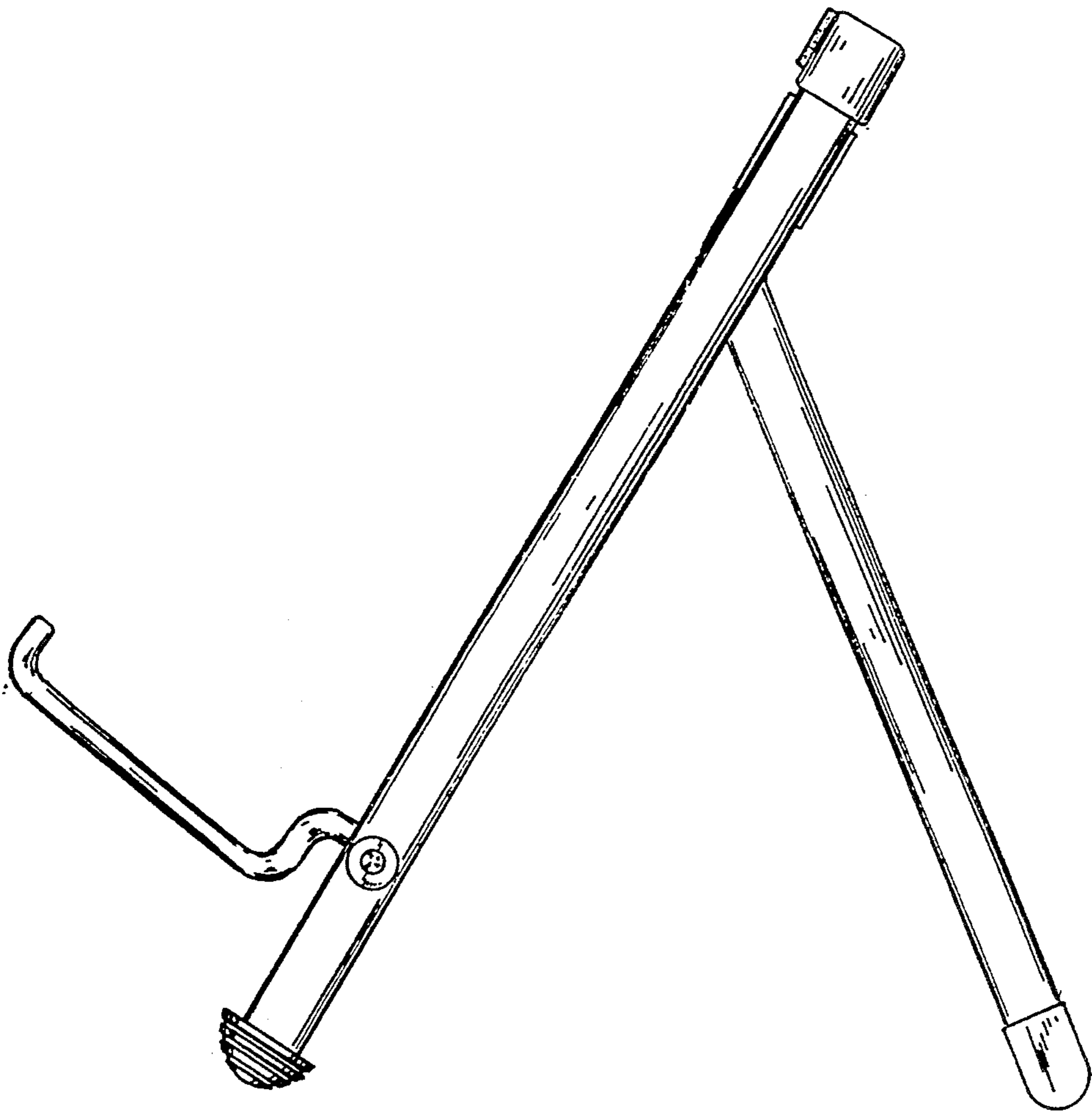


Fig. 4

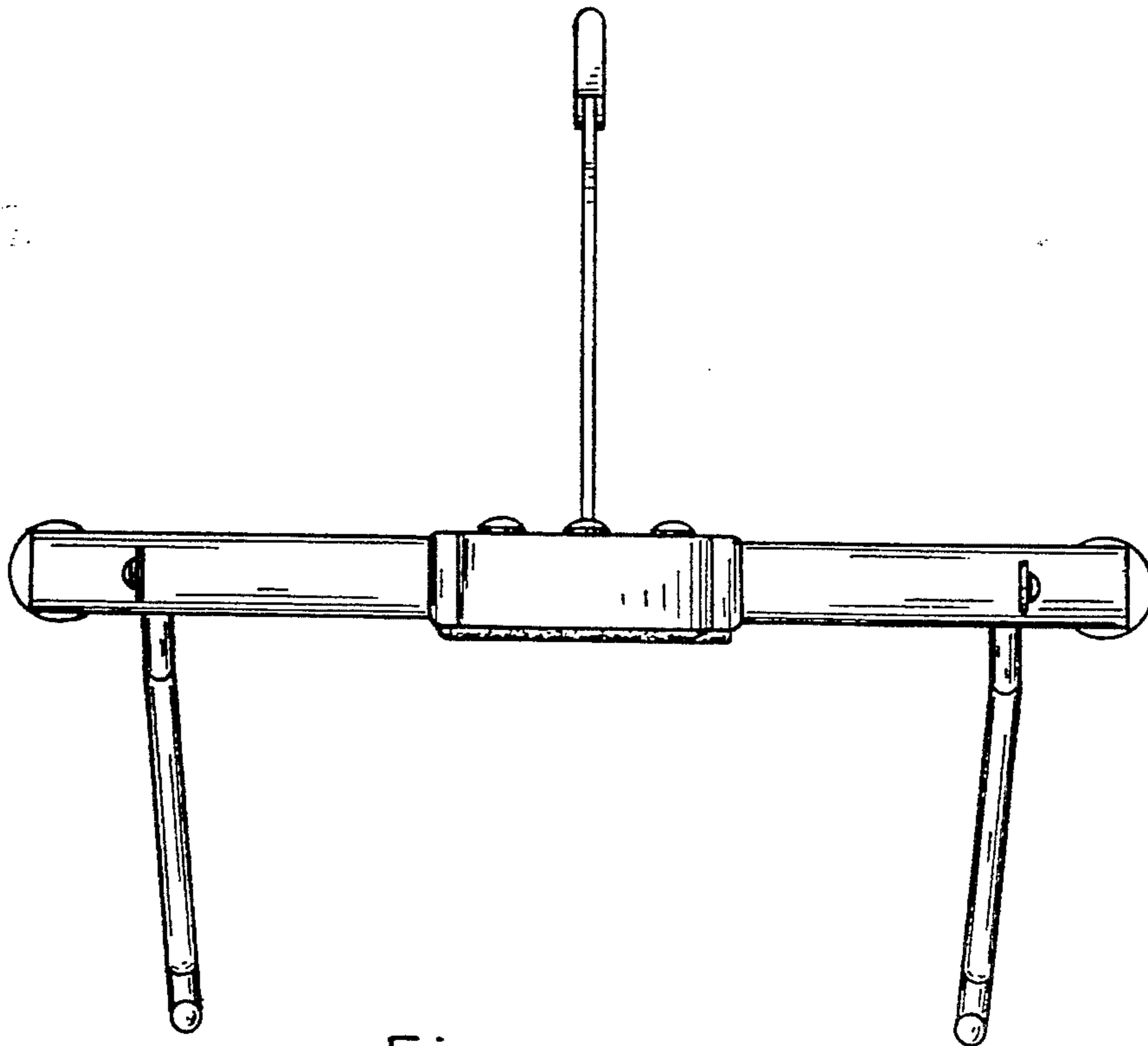


Fig. 5

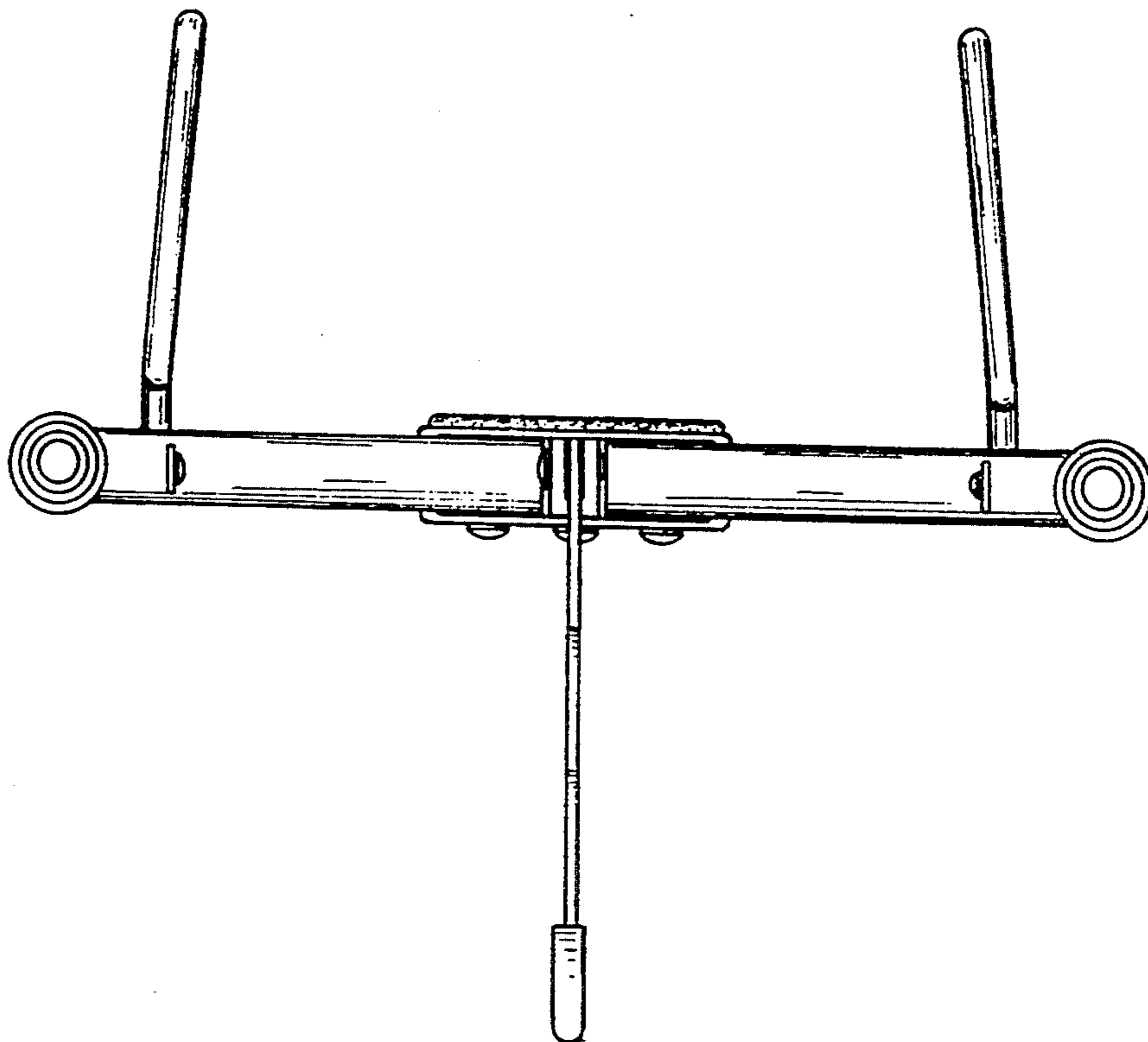


Fig. 6