



US00D357826S

United States Patent [19]

[11] Patent Number: **Des. 357,826**

Fiddament

[45] Date of Patent: **** May 2, 1995**

[54] **UNIVERSAL CRAFT STAND**

[76] Inventor: **Larry L. Fiddament**, 3140 W. George St., Banning, Calif. 92220

[**] Term: **14 Years**

[21] Appl. No.: **840,998**

[22] Filed: **Feb. 25, 1992**

[52] U.S. Cl. **D6/429**

[58] Field of Search D6/400, 419-420, D6/429-431, 484-485, 487, 489, 499; 38/102.4, 102.9, 102.91

5,027,989 7/1991 Nevius 38/102.4
 5,226,250 7/1993 Ulmer et al. 38/102.9

OTHER PUBLICATIONS

Des. Inst. of Amer., Table Section, metal table frame photo, ©1983.

Primary Examiner—Alan P. Douglas
Assistant Examiner—R. Spear

[57] CLAIM

The ornamental design for a universal craft stand, as shown and described.

[56] References Cited

U.S. PATENT DOCUMENTS

D. 150,997	9/1948	Long	D6/419
D. 252,388	7/1979	Fjello-Jensen	D6/431
D. 291,516	8/1987	Strousse et al.	D6/485
D. 295,591	5/1988	Beall, Jr.	D6/430
D. 298,041	10/1988	Chang	D6/420
3,029,548	4/1962	Braha	D6/419 X
4,944,105	7/1990	Schulle	38/102.4

DESCRIPTION

FIG. 1 is a front elevational view of the universal craft stand showing my new design;
 FIG. 2 is a rear elevational view thereof;
 FIG. 3 is a left side elevational view thereof;
 FIG. 4 is a right side elevational view thereof;
 FIG. 5 is a top plan view thereof;
 FIG. 6 is a bottom plan view thereof; and,
 FIG. 7 is a perspective view thereof.

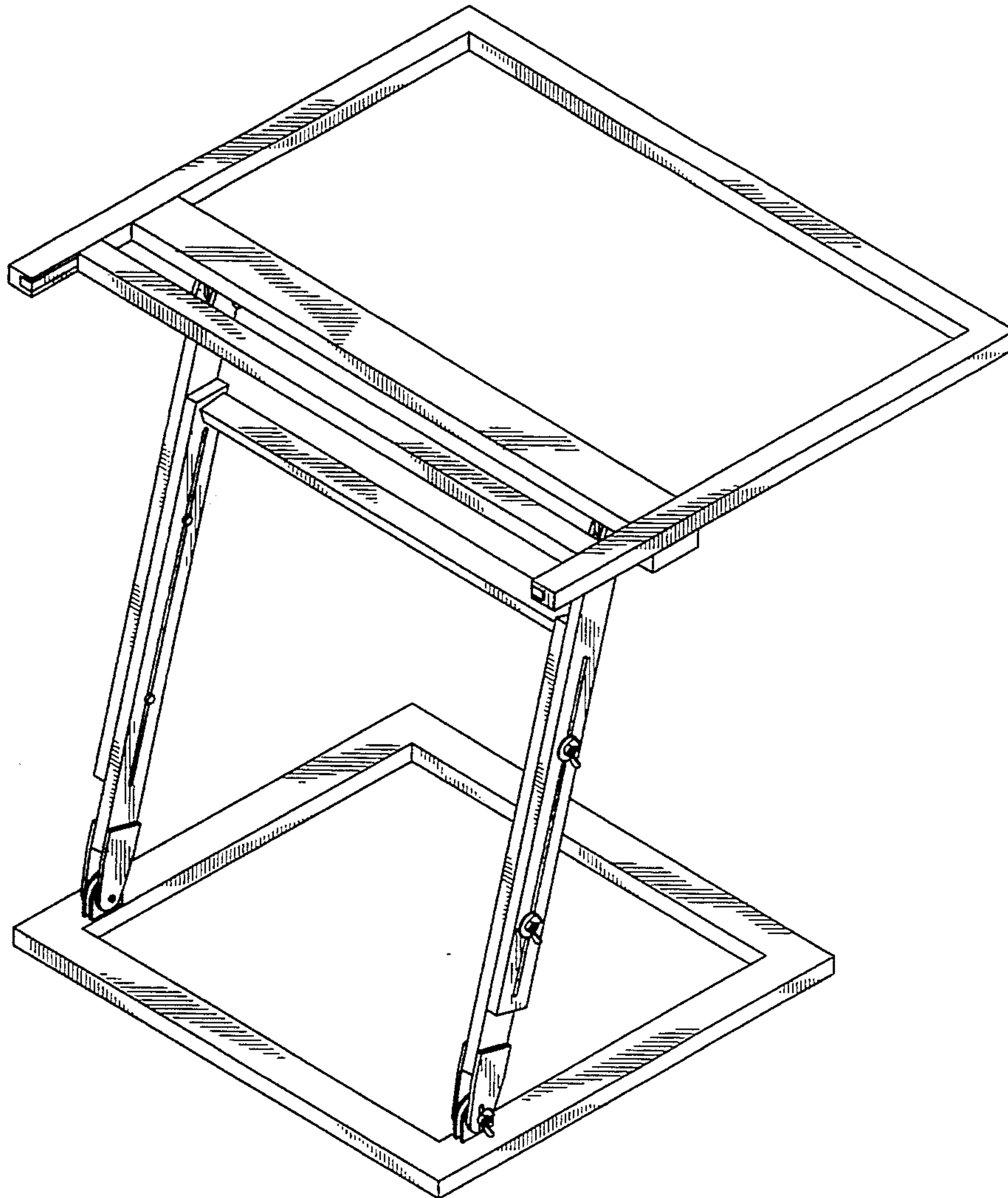


FIG. 1

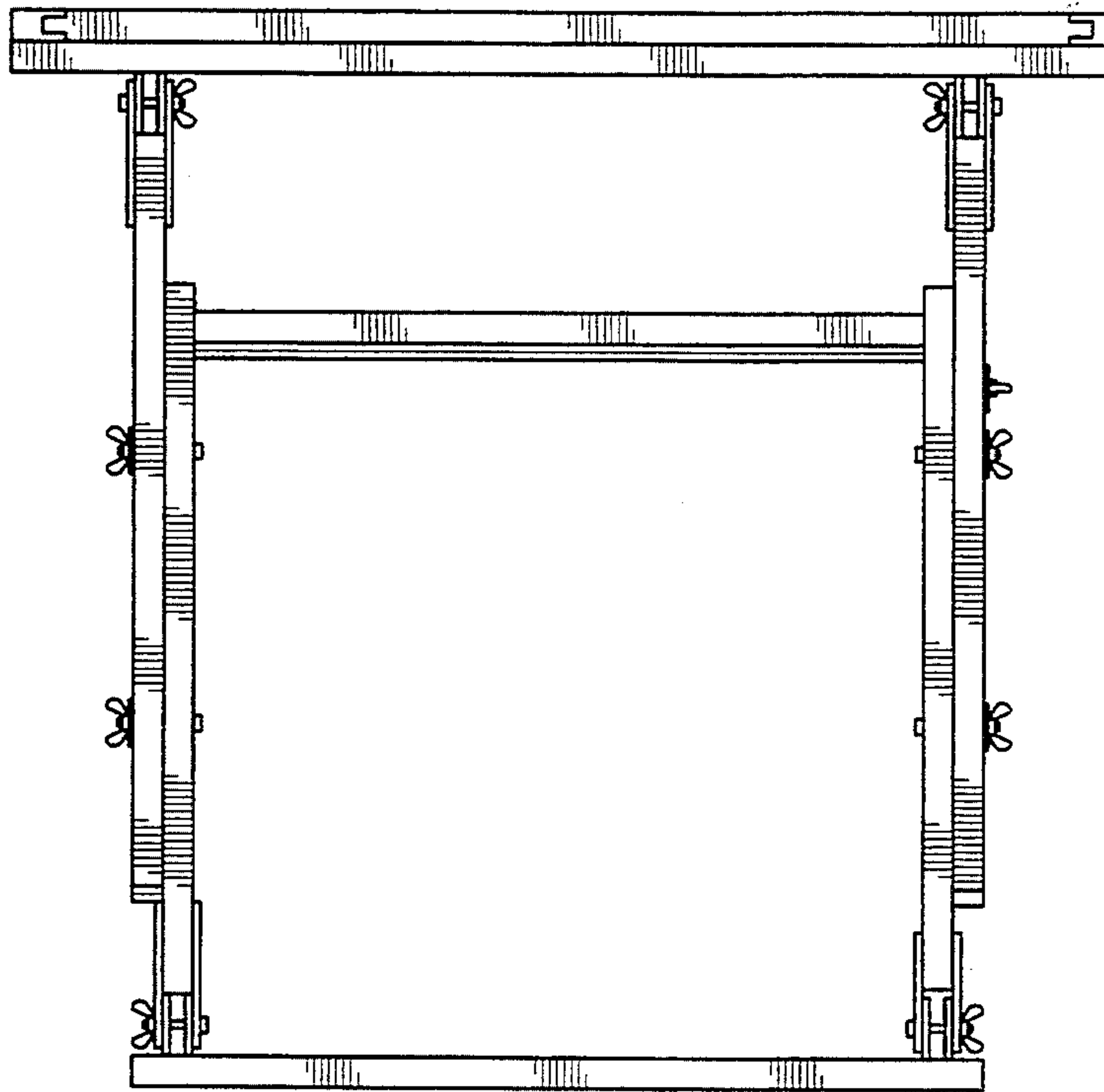


FIG. 2

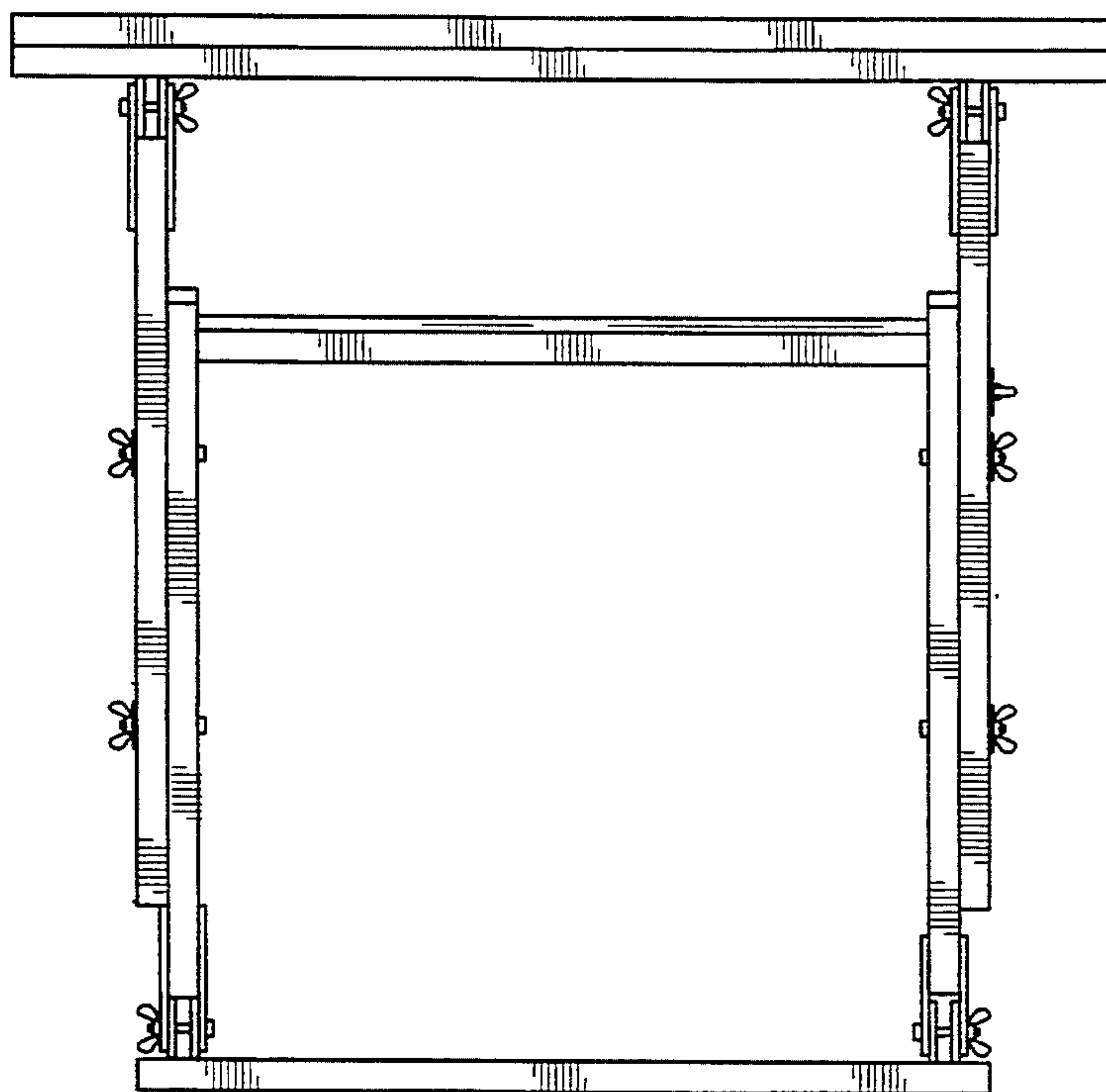


FIG. 3

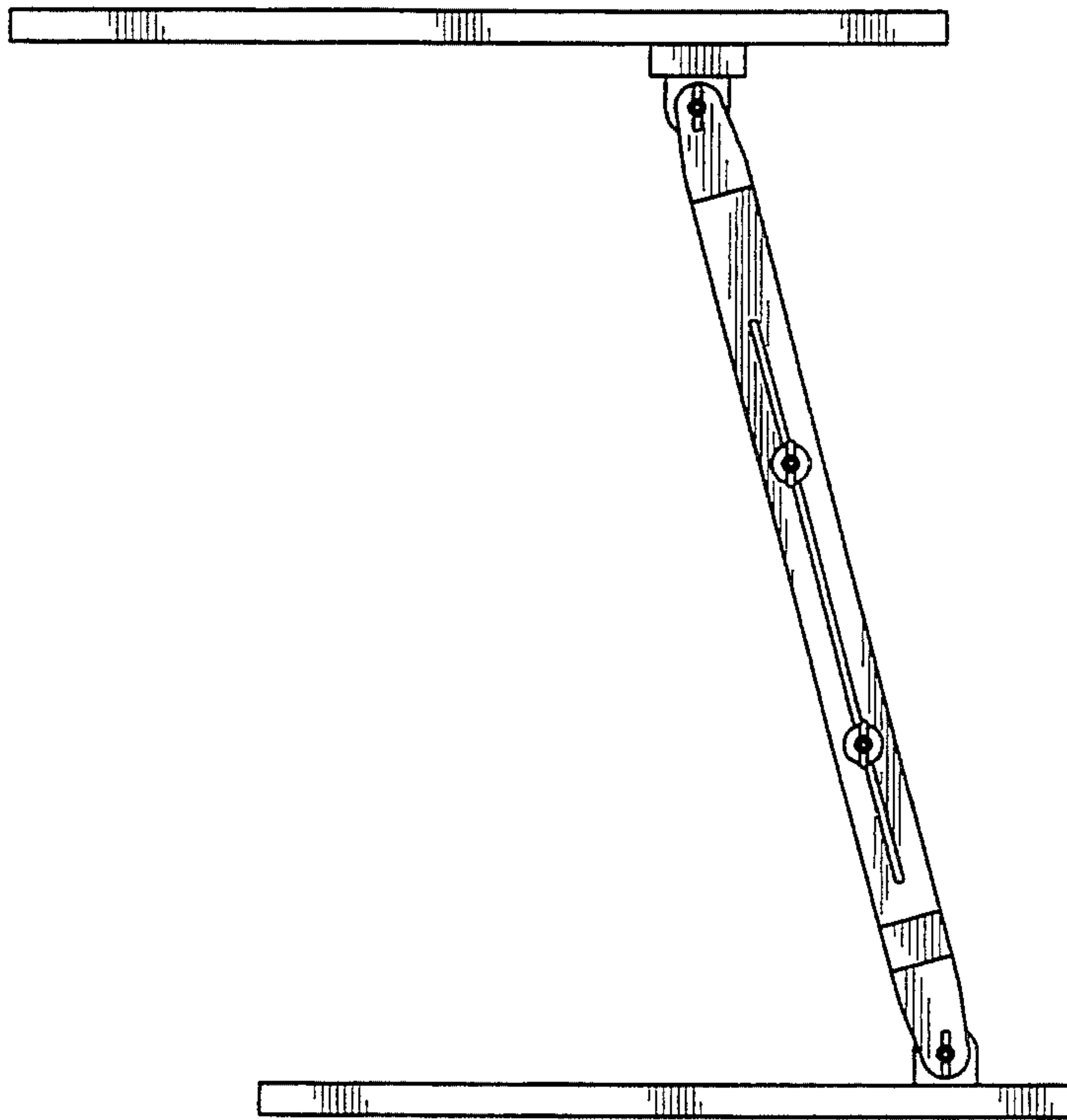


FIG. 4

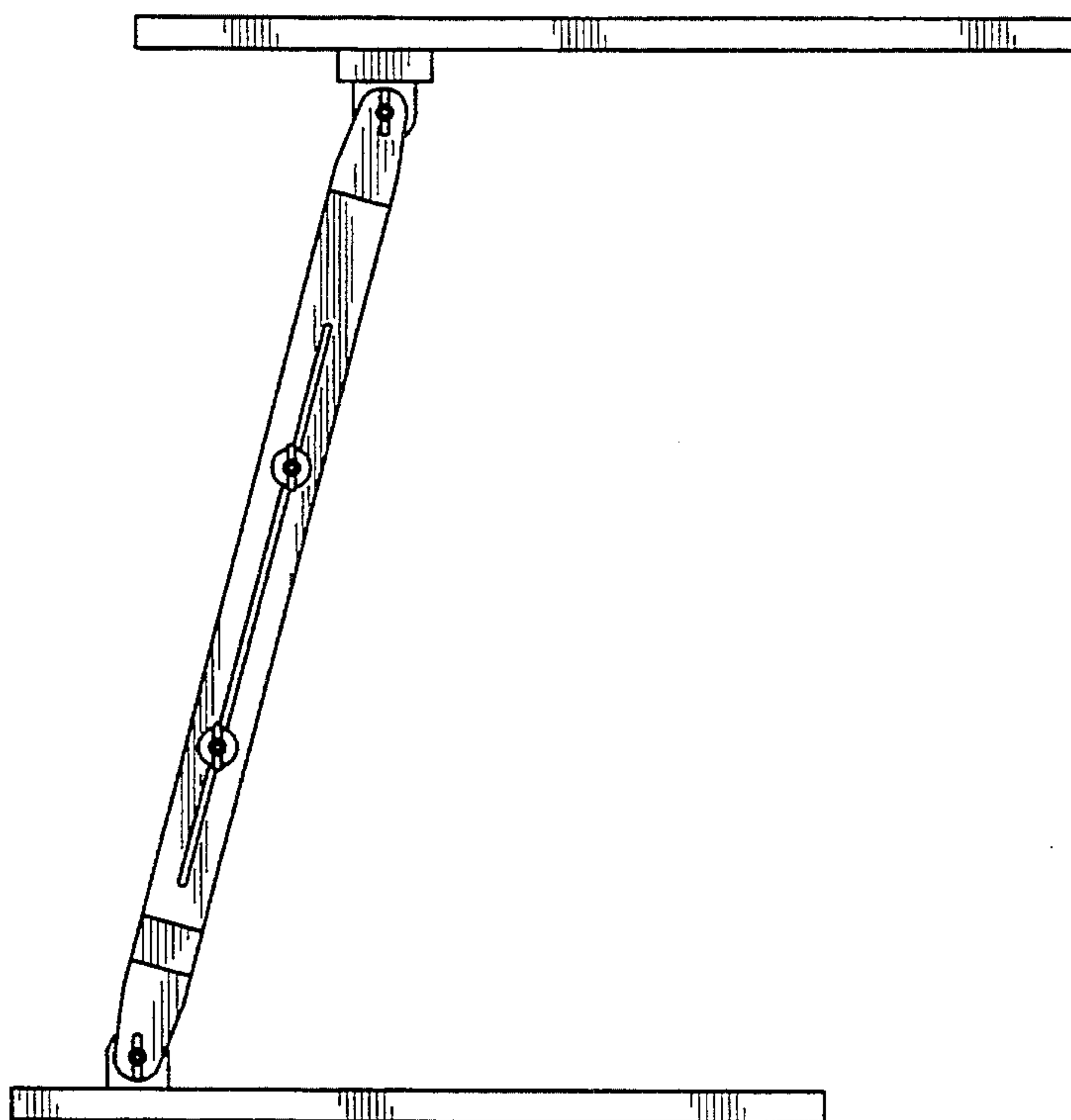


FIG. 5

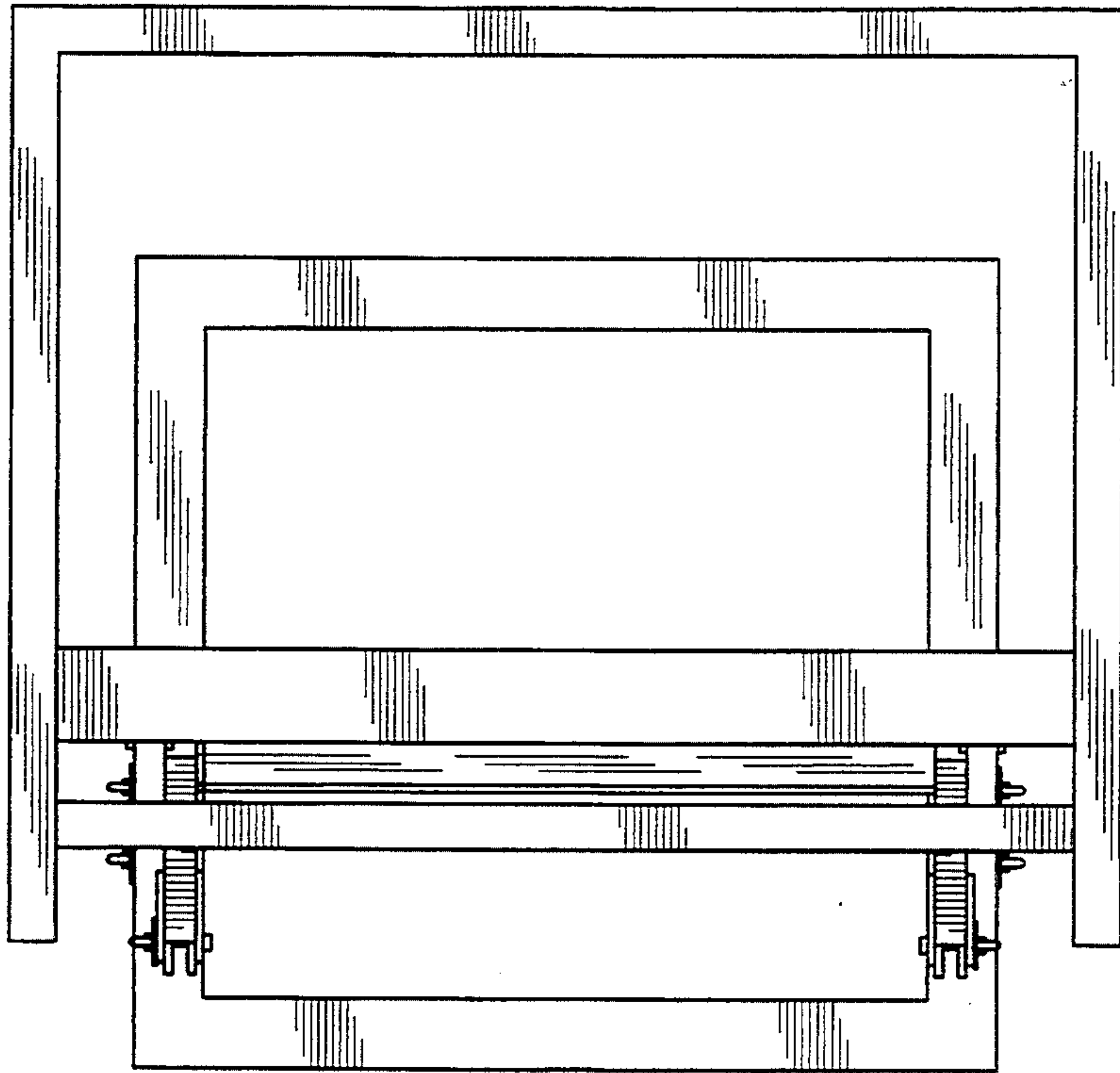


FIG. 6

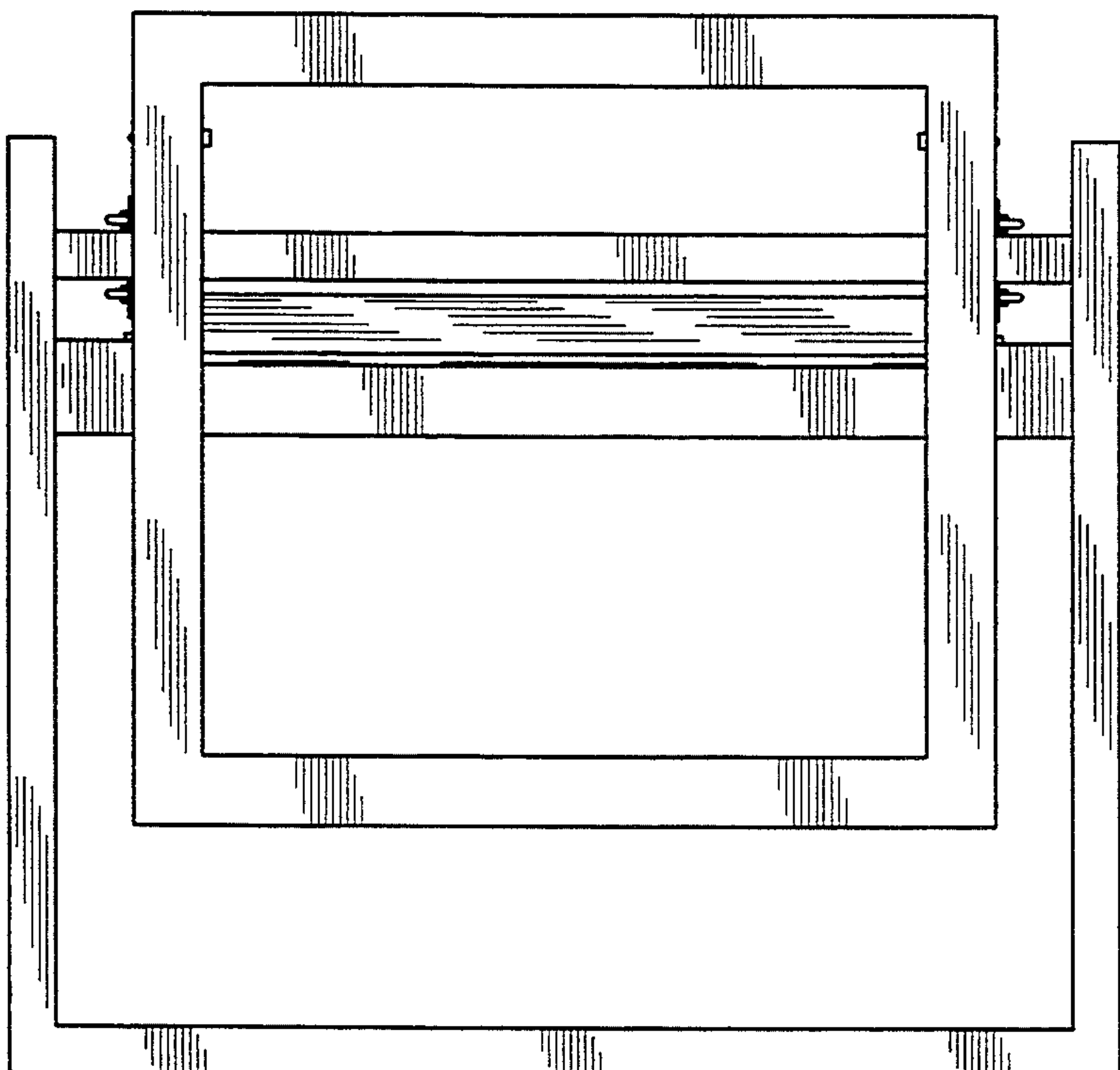


FIG. 7

