



US00D357825S

United States Patent [19]

[11] Patent Number: **Des. 357,825**

Gillam

[45] Date of Patent: **** May 2, 1995**

[54] **BIBLE STAND**

[76] Inventor: **Earsel W. Gillam, 5236 Algire Rd., Bellville, Ohio 44813**

[**] Term: **14 Years**

[21] Appl. No.: **3,761**

[22] Filed: **Jan. 11, 1993**

[52] U.S. Cl. **D6/419**

[58] Field of Search **D6/419, 470, 471, 399, D6/310-314, 436; 248/444.1, 441.1; D20/41**

[56] **References Cited**

U.S. PATENT DOCUMENTS

D. 31,524	9/1899	Frost et al.	D6/419
D. 132,166	4/1942	Cloutier	D6/419 X
D. 179,235	11/1956	Anderson	D6/419
D. 245,820	9/1977	Matthews	D6/419
D. 284,338	6/1986	Eldridge	D6/436
D. 330,916	11/1992	Wolfe	D19/91

D. 346,286	4/1994	Caponigro et al.	D6/419
617,588	1/1899	Luethi	248/444.1
922,610	5/1909	Mills	248/444.1 X
3,079,725	3/1963	LaFleur	248/441.1

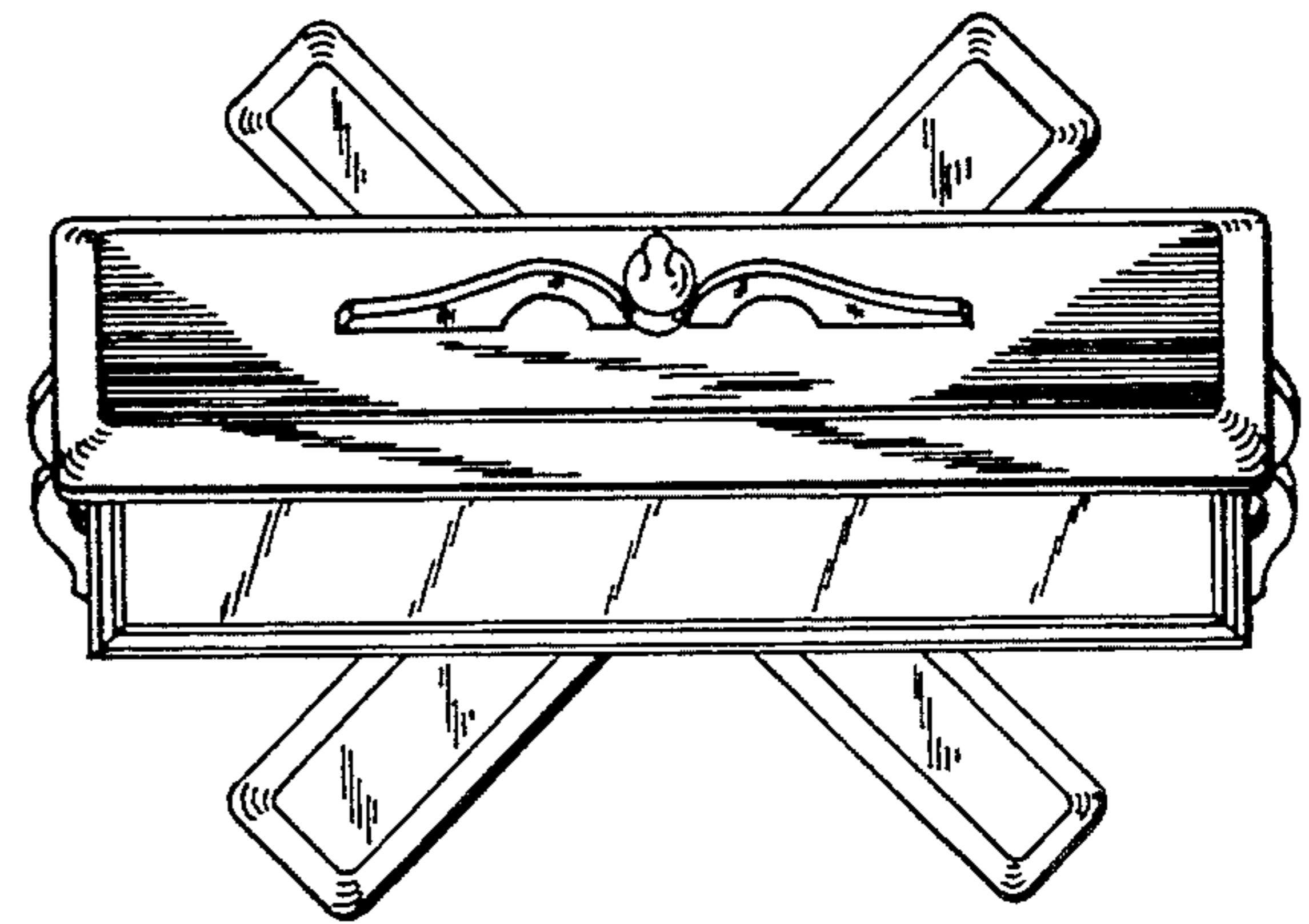
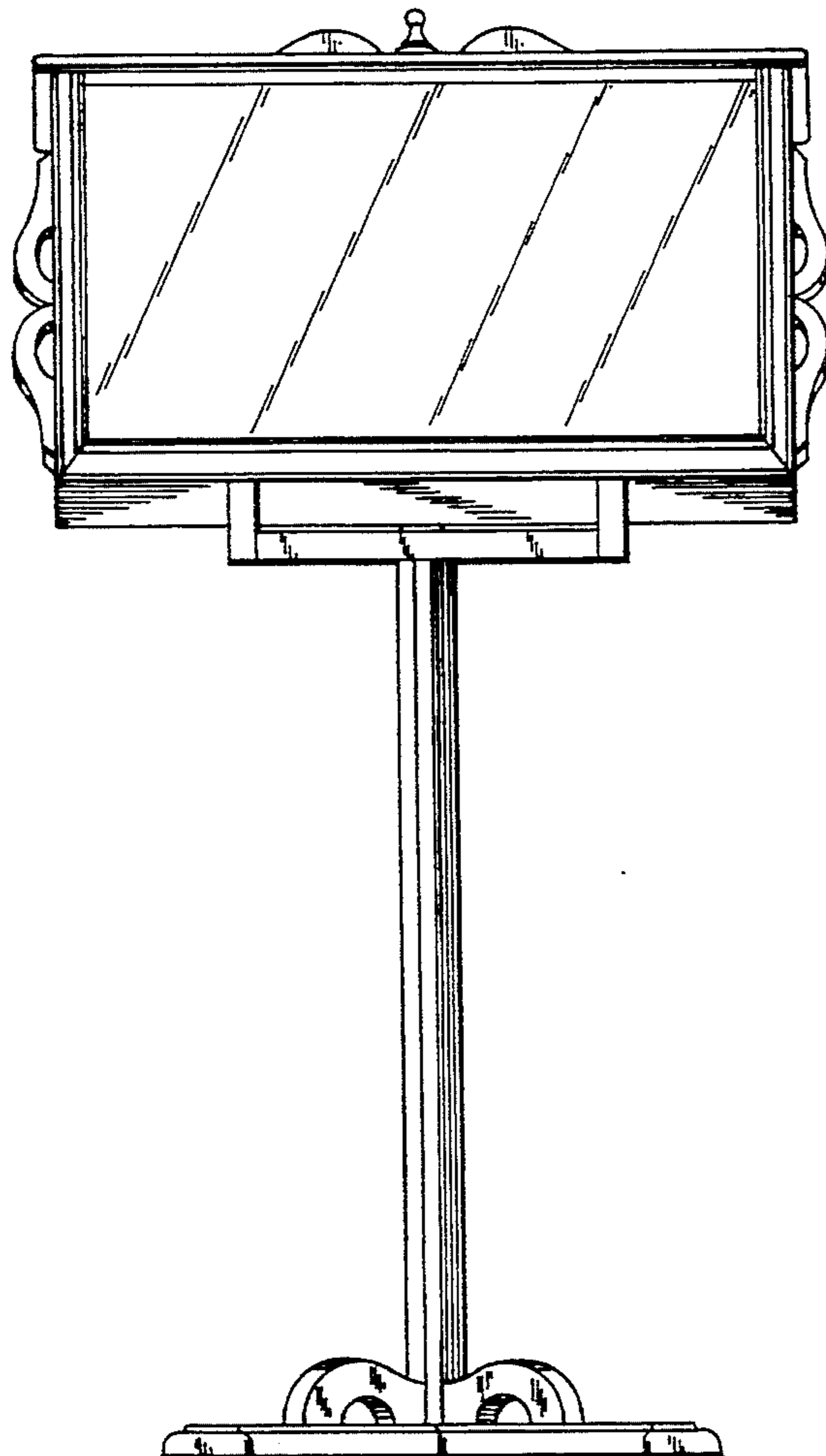
Primary Examiner—Carmen H. Vales-Lado
Attorney, Agent, or Firm—James A. Hudak

[57] **CLAIM**

The ornamental design for a bible stand, as shown and described.

DESCRIPTION

FIG. 1 is a front elevational view of a bible stand showing my new design;
FIG. 2 is a side elevational view of the bible stand as viewed from the right of FIG. 1, the opposite side elevational view being a mirror image of that shown;
FIG. 3 is a top plan view thereof;
FIG. 4 is a rear elevational view thereof; and,
FIG. 5 is a bottom plan view thereof.



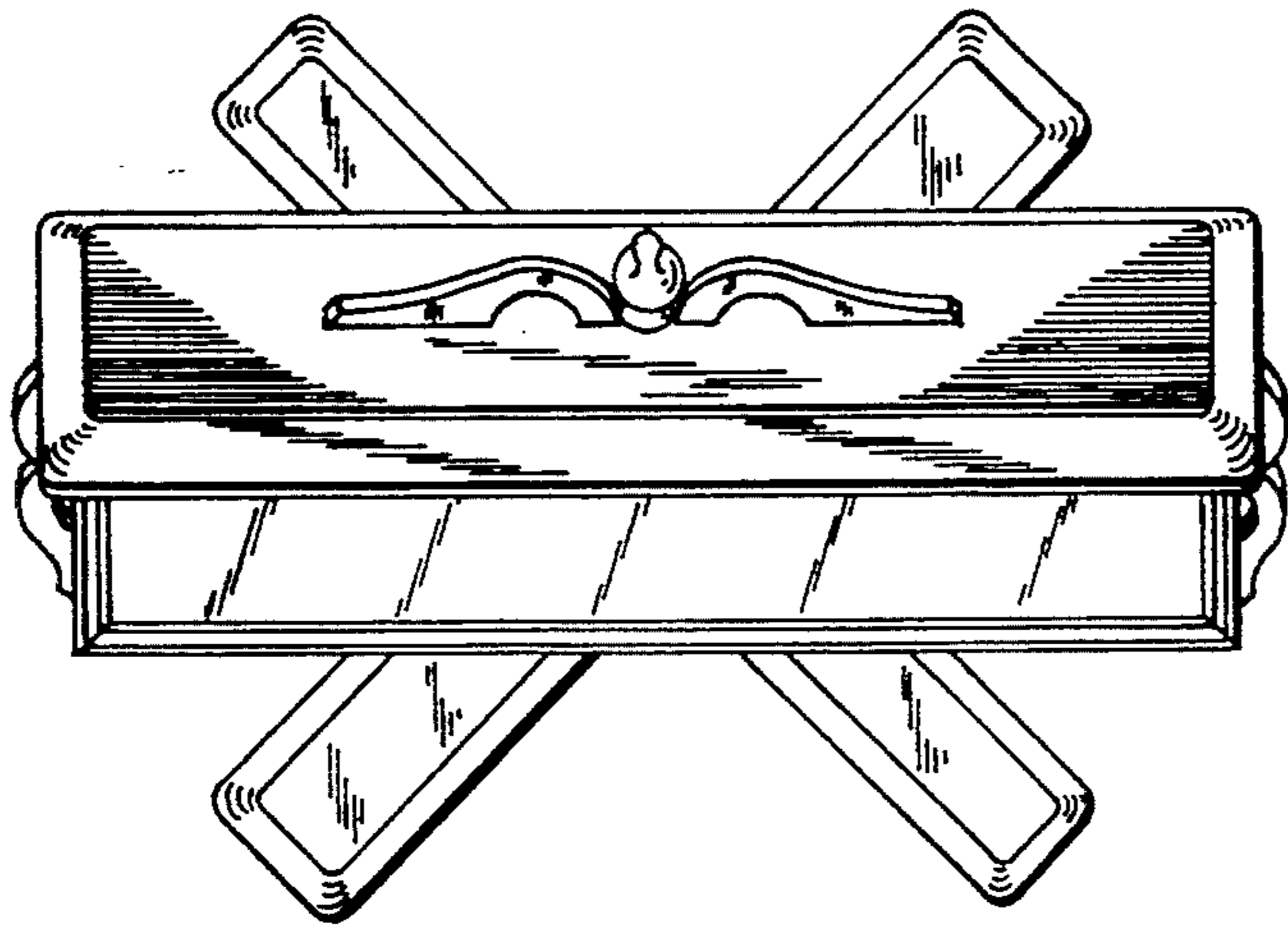


FIG. 3

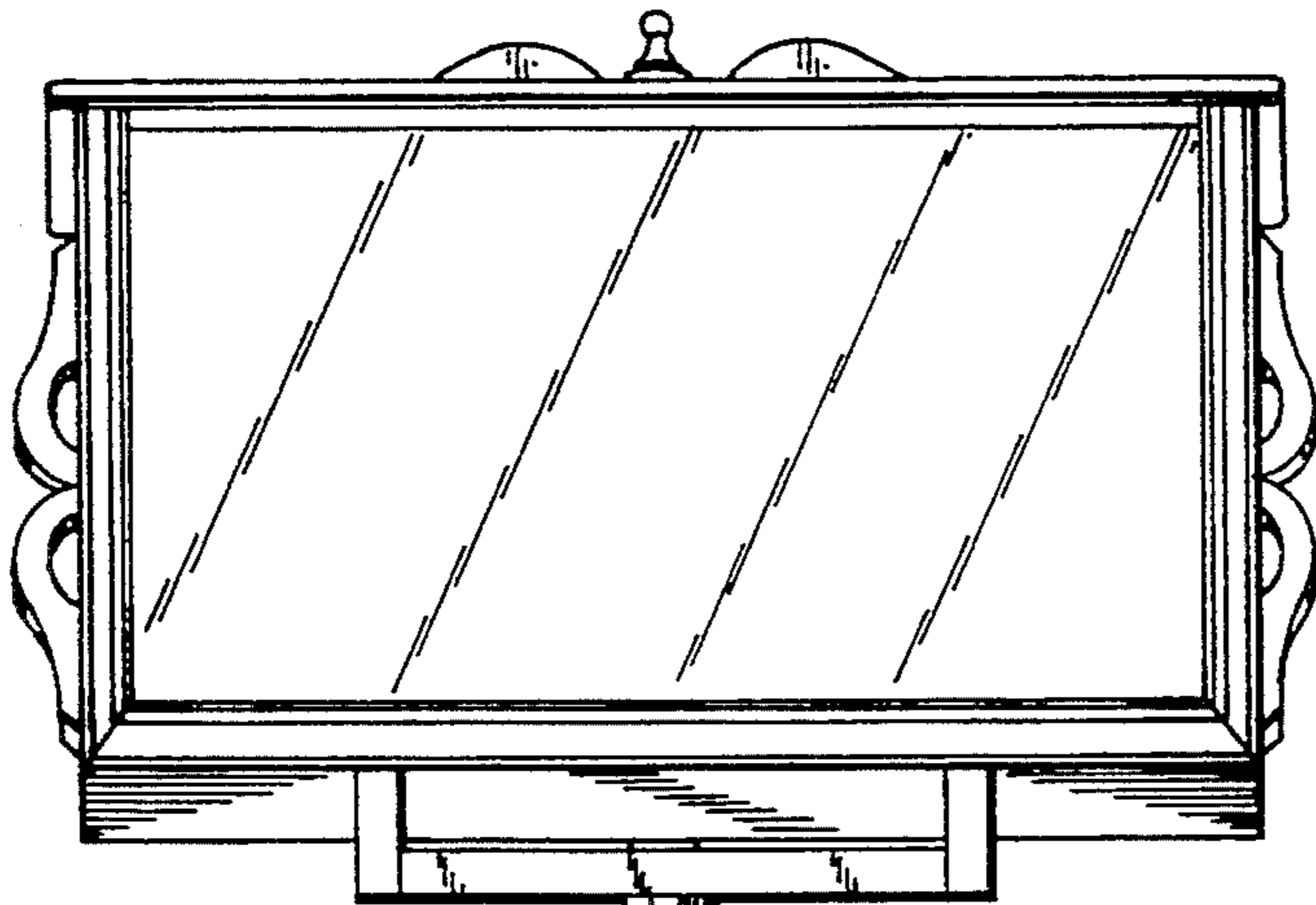


FIG. 1

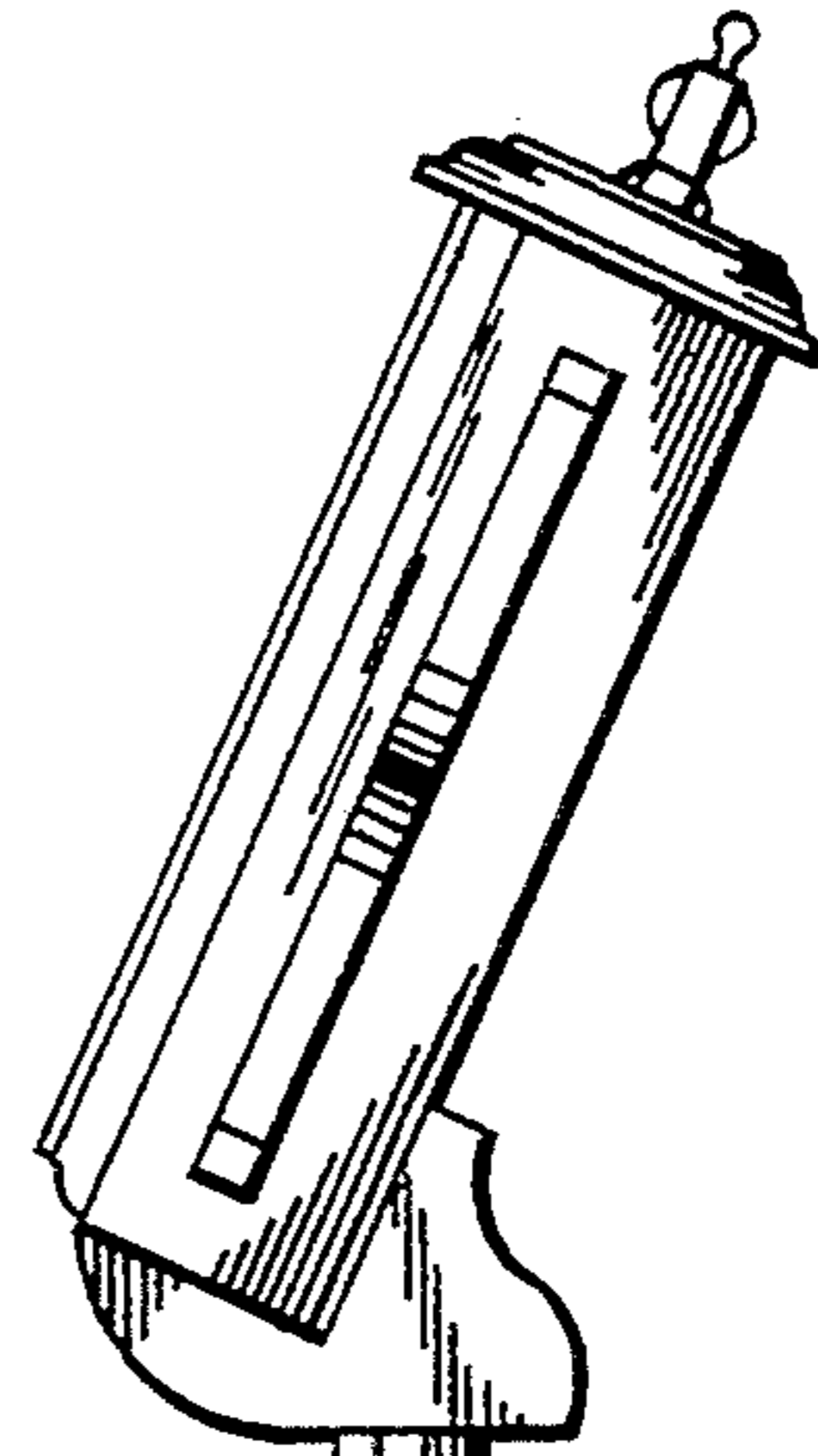


FIG. 2



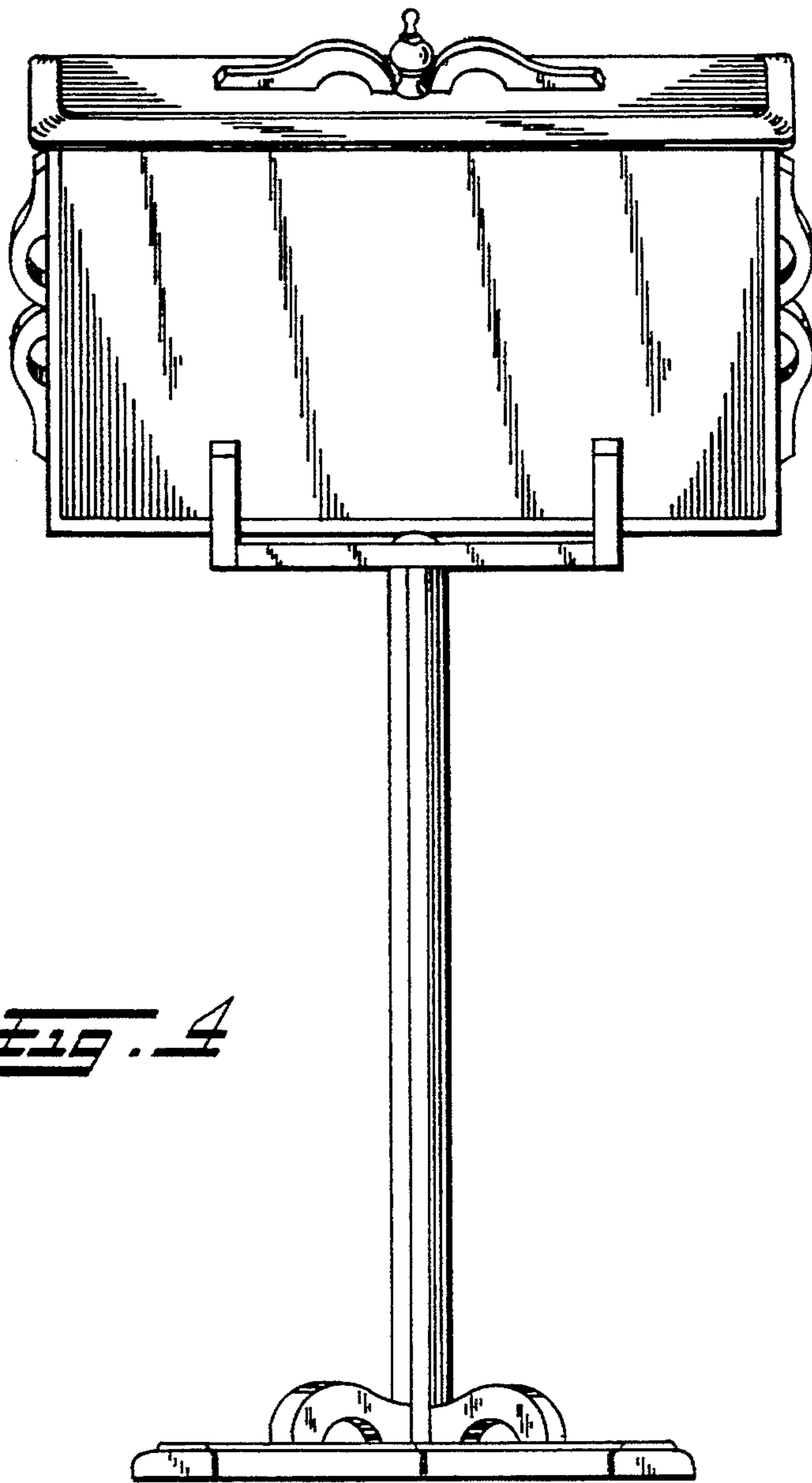


Fig. 4

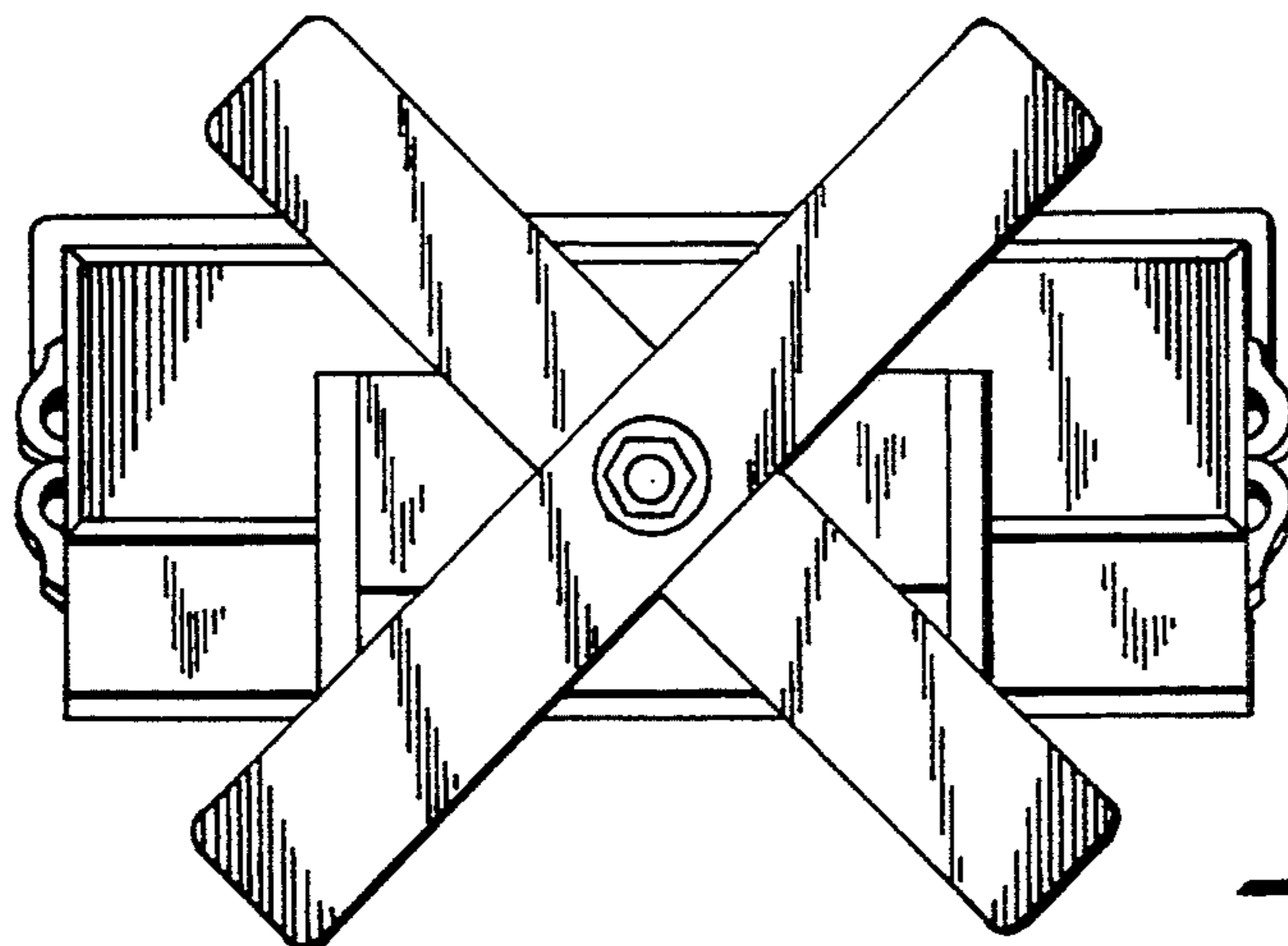


Fig. 5