



US00D357824S

# United States Patent [19]

[11] Patent Number: **Des. 357,824**

Chan

[45] Date of Patent: **\*\* May 2, 1995**

## [54] UMBRELLA STAND

[76] Inventor: **Hsien-Chang Chan**, No. 9, Alley 20, Lane 158, Sec. 3, Pa-Te Rd., Taipei City, Taiwan, Prov. of China

[\*\*] Term: **14 Years**

[21] Appl. No.: **3,447**

[22] Filed: **Jan. 7, 1993**

[52] U.S. Cl. .... **D6/416; D6/429**

[58] Field of Search ..... **D6/416, 429, 553, 554, D6/567, 552; 211/62, 63**

### [56] References Cited

#### U.S. PATENT DOCUMENTS

D. 25,645	6/1896	Collins	.....	D6/416
D. 43,955	5/1913	Fawcett	.....	D6/416
D. 92,214	5/1934	Sykes	.....	D6/416
D. 119,320	3/1940	Katcher	.....	D6/416

#### FOREIGN PATENT DOCUMENTS

1347544	11/1963	France	.....	211/63
247199	2/1947	Switzerland	.....	211/63

## OTHER PUBLICATIONS

*Design* 473 May 1988 p. 24; umbrella stand on page.

*Primary Examiner*—Carmen H. Vales-Lado  
*Attorney, Agent, or Firm*—Leydig, Voit & Mayer

## [57] CLAIM

The ornamental design for an umbrella stand, as shown and described.

## DESCRIPTION

FIG. 1 is a front elevational view of umbrella stand showing my new design;

FIG. 2 is a rear elevational view thereof;

FIG. 3 is a left side elevational view thereof;

FIG. 4 is a right side elevational view thereof;

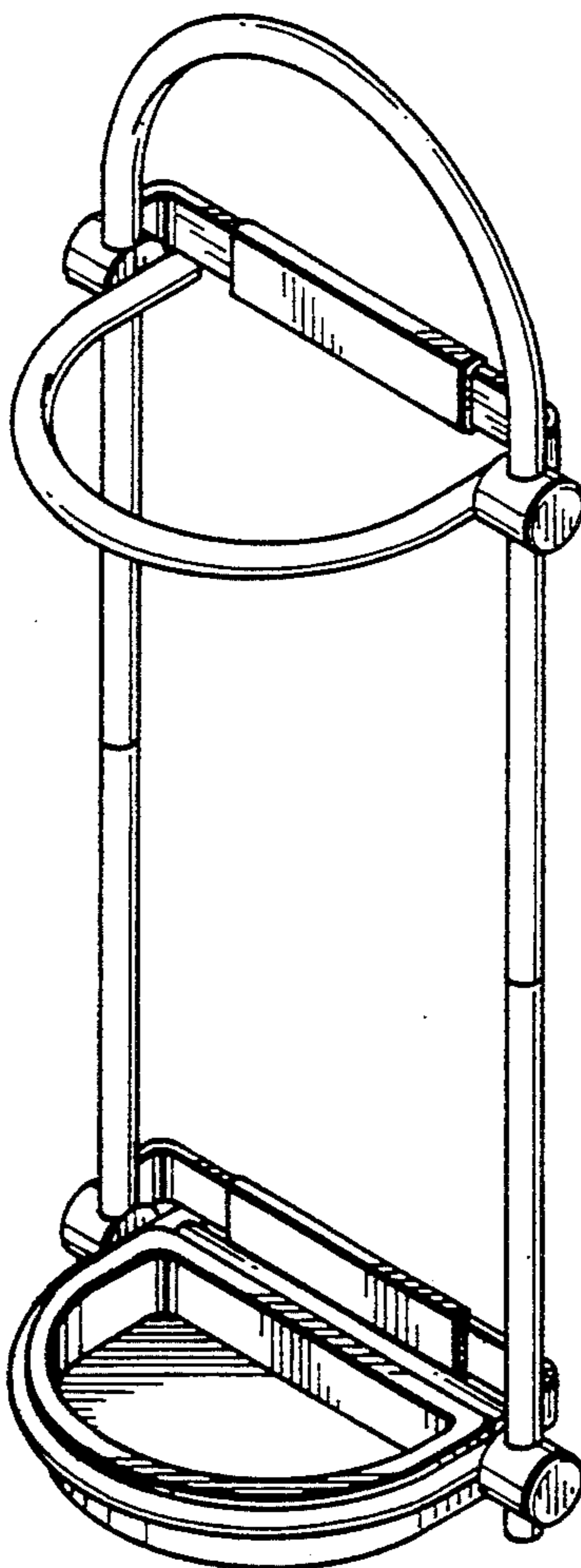
FIG. 5 is a top plan view thereof;

FIG. 6 is a bottom plan view thereof;

FIG. 7 is a perspective view thereof;

FIG. 8 is an exploded perspective view in folded condition; and,

FIG. 9 is a perspective view in position of use, the broken lines indicate environmental structure and form no part of the claimed design.



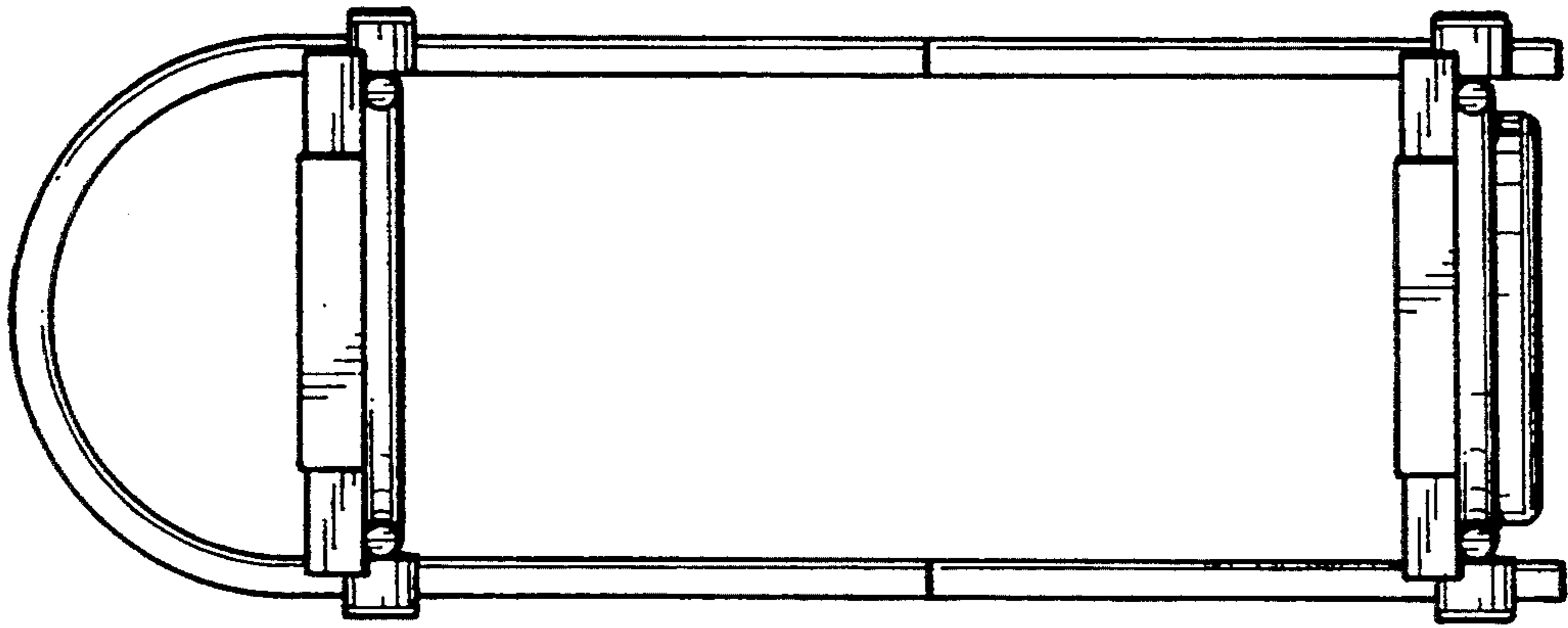


FIG. 2

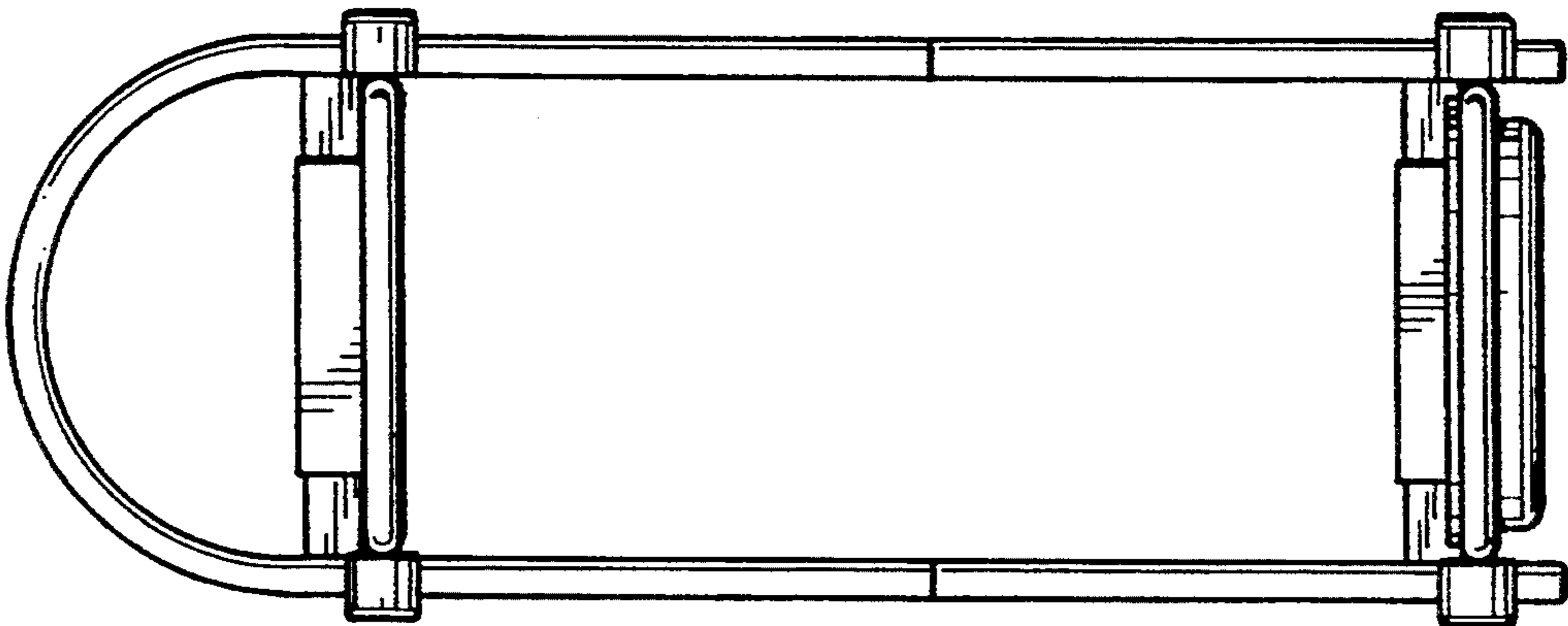


FIG. 1

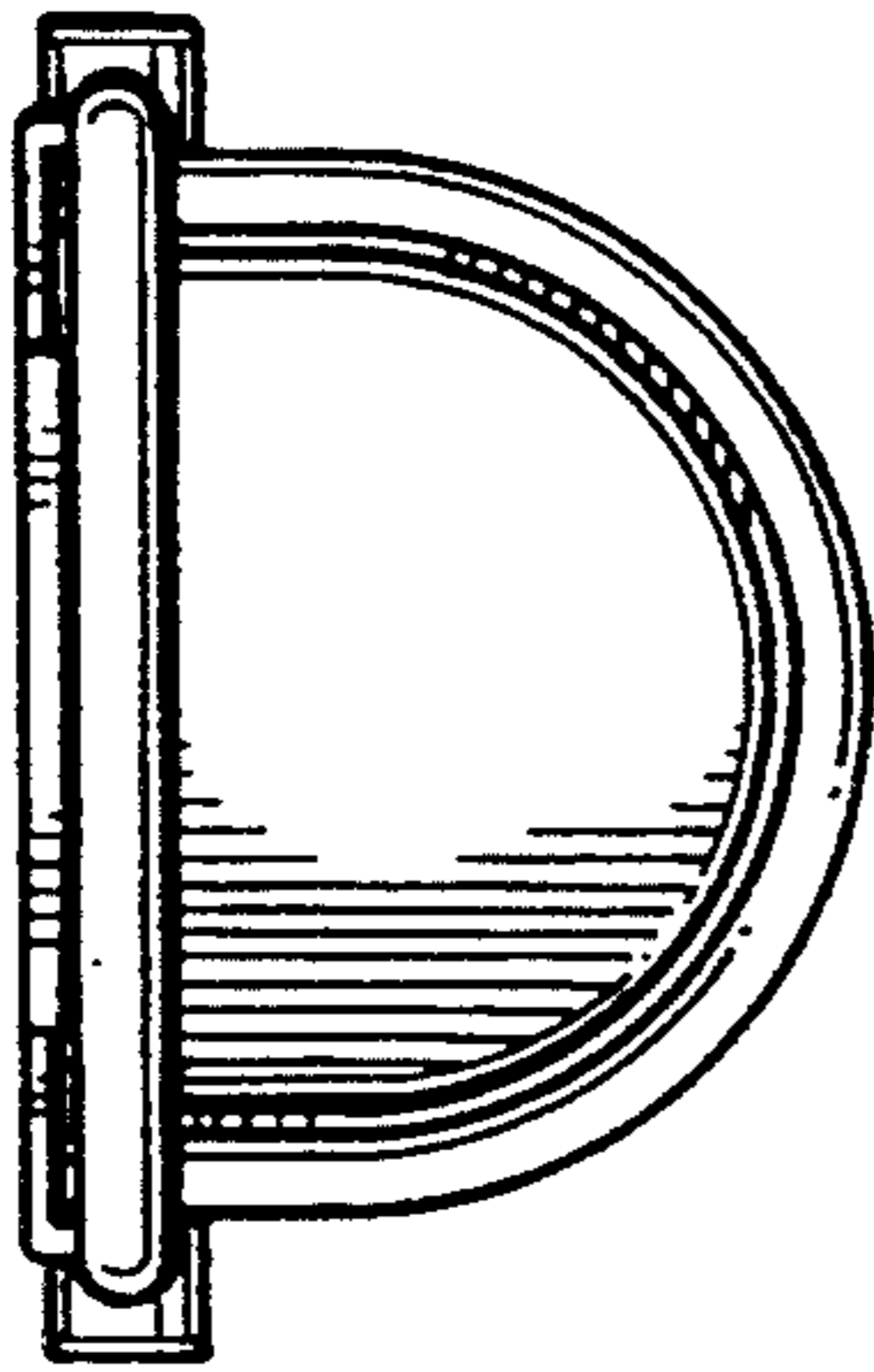


FIG. 5

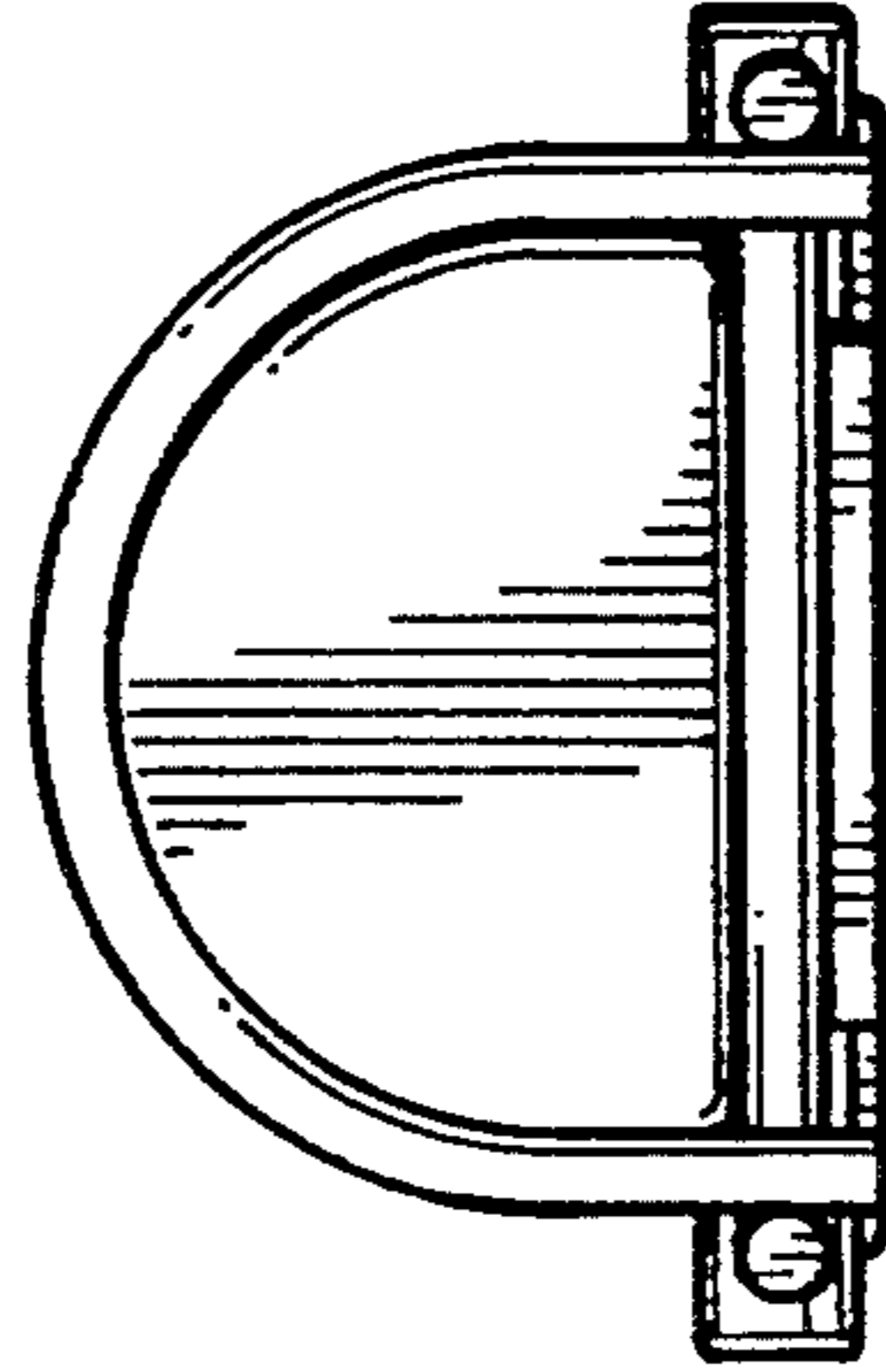


FIG. 6

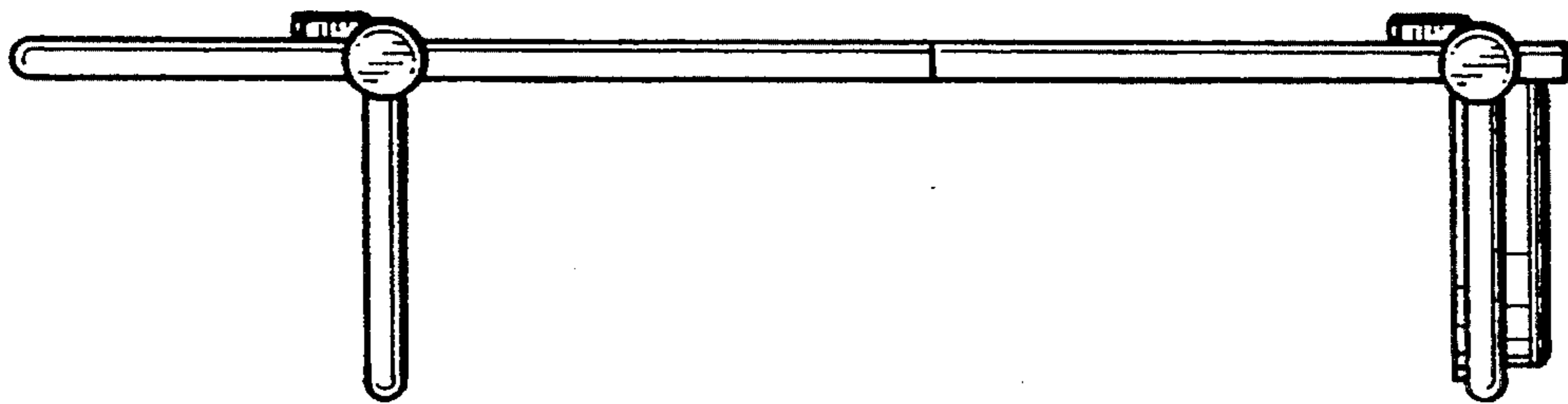


FIG. 4

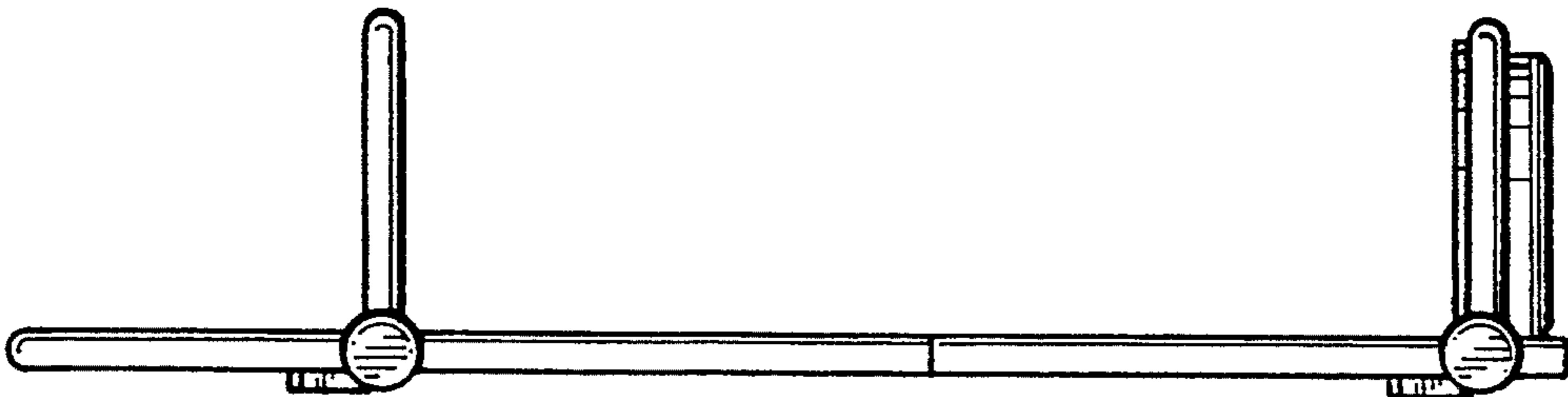


FIG. 3

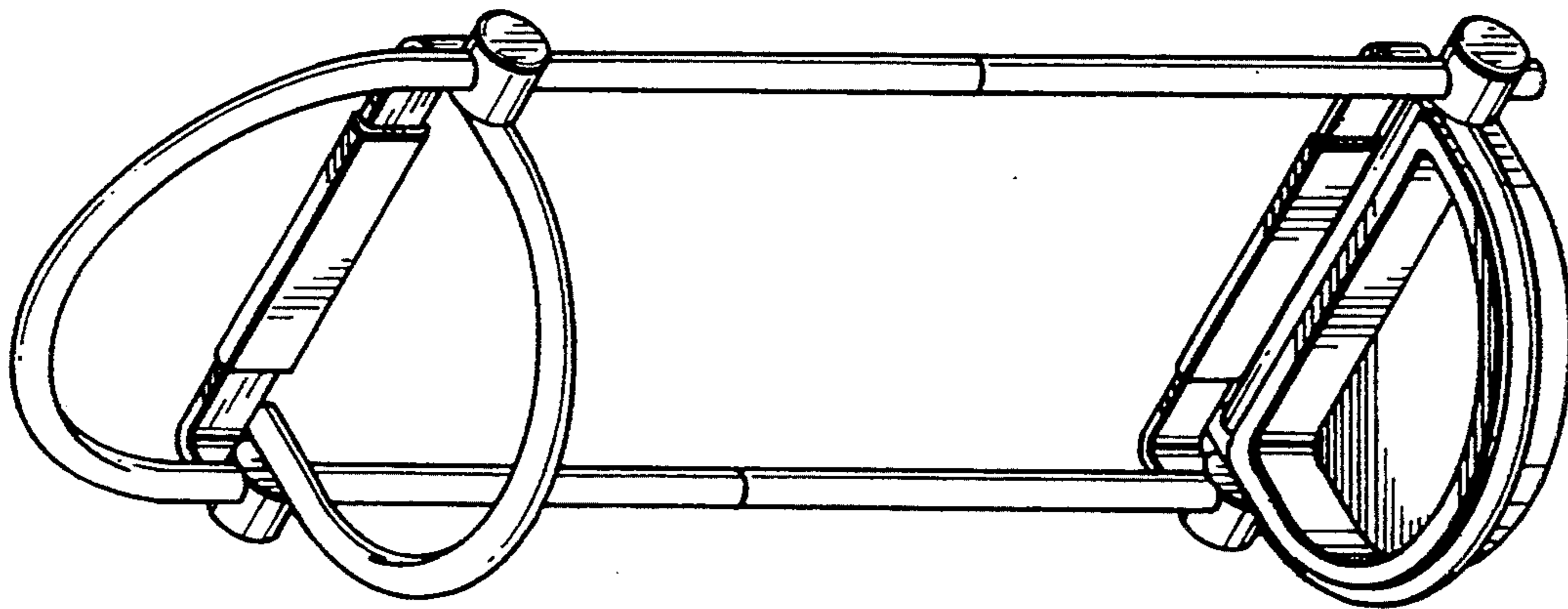


FIG. 7

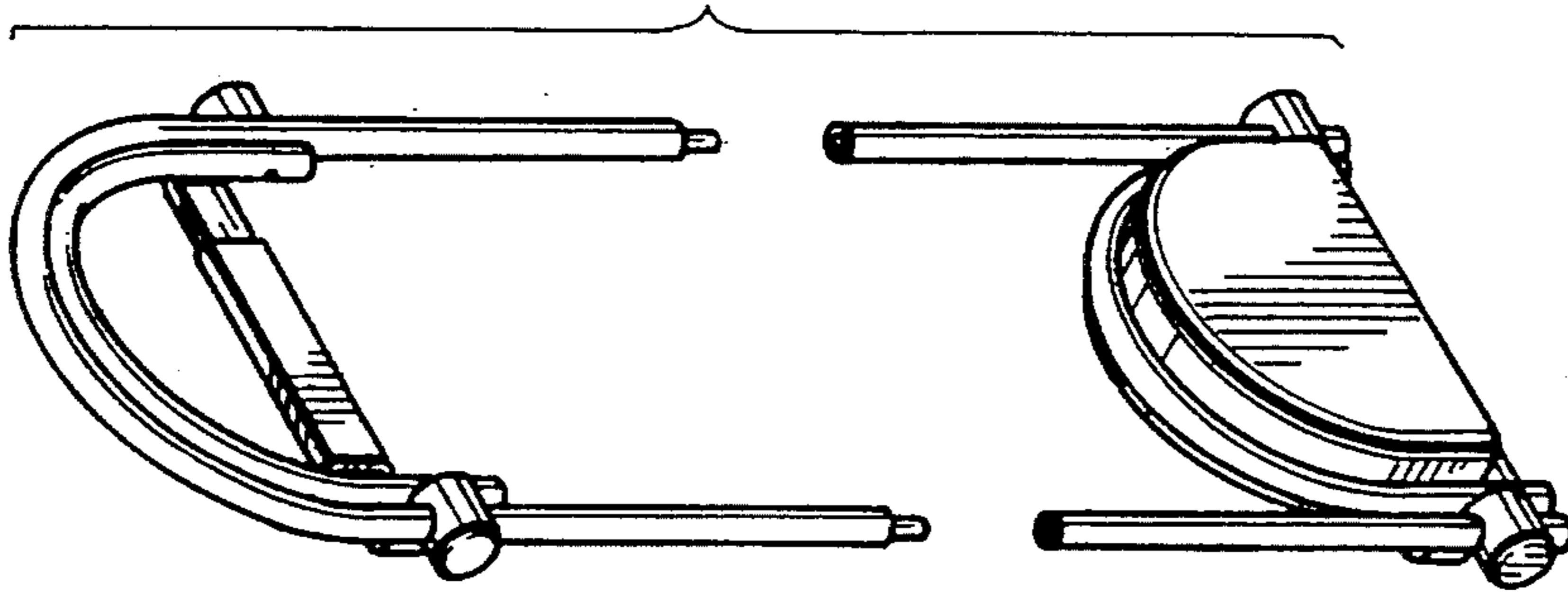


FIG. 8

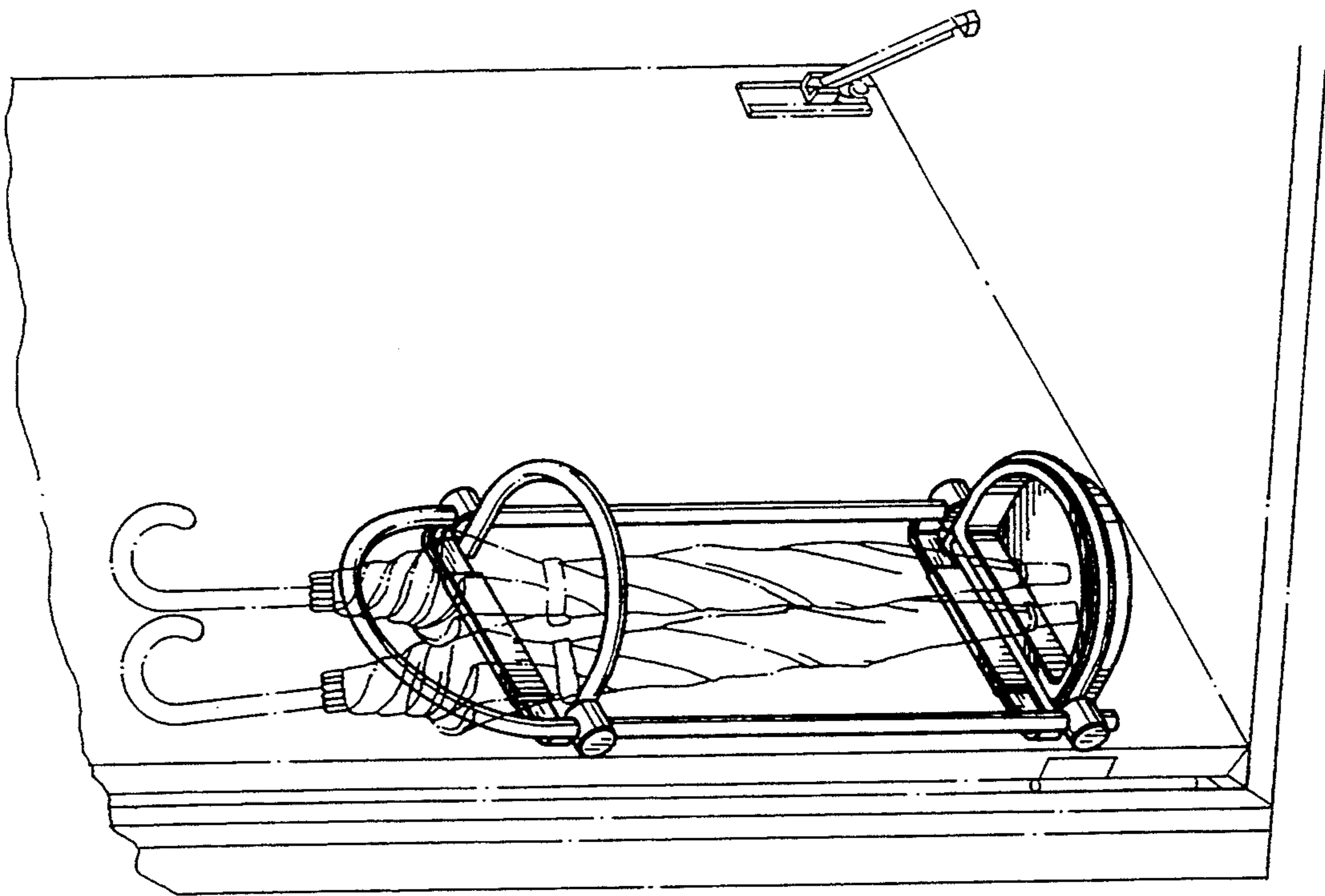


FIG. 9