



US00D357820S

# United States Patent [19]

[11] Patent Number: **Des. 357,820**

Minchey et al.

[45] Date of Patent: **\*\* May 2, 1995**

## [54] CROWNED BACK CHAIR

[75] Inventors: **Richard Minchey**, Goodlettsville, Tenn.; **Darren Stoddart**; **Joseph E. Blazar**, both of Joplin, Mo.

[73] Assignee: **Sunbeam Corporation**, Fort Lauderdale, Fla.

[\*\*] Term: **14 Years**

[21] Appl. No.: **20,621**

[22] Filed: **Mar. 29, 1994**

[52] U.S. Cl. .... **D6/376**

[58] Field of Search ..... **D6/334, 358, 370, 374, D6/376, 379, 380, 500, 501, 502; 297/411.42, 446**

## [56] References Cited

### U.S. PATENT DOCUMENTS

D. 189,345	11/1960	Woodard	.....	D6/358
D. 269,747	7/1983	Wallace	.....	D6/376
D. 286,827	11/1986	Arthur, Jr.	.....	D6/376
D. 286,828	11/1986	Arthur, Jr.	.....	D6/376

## OTHER PUBLICATIONS

Meadowcraft (insert), ©1959, p. 4, Chair at top left.

*Primary Examiner*—Alan P. Douglas  
*Assistant Examiner*—Gary D. Watson  
*Attorney, Agent, or Firm*—Michael J. Kline

## [57] CLAIM

The ornamental design for a crowned back chair, as shown and described.

## DESCRIPTION

FIG. 1 is an isometric view of a crowned back chair in accordance with the present invention;  
FIG. 2 is a front elevational view of the crowned back chair of FIG. 1;  
FIG. 3 is a rear elevational view of the crowned back chair of FIG. 1;  
FIG. 4 is a top plan view of the crowned back chair of FIG. 1;  
FIG. 5 is a bottom plan view of the crowned back chair of FIG. 1;  
FIG. 6 is a left side elevational view of the crowned back chair of FIG. 1; and,  
FIG. 7 is a right side elevational view of the crowned back chair of FIG. 1.



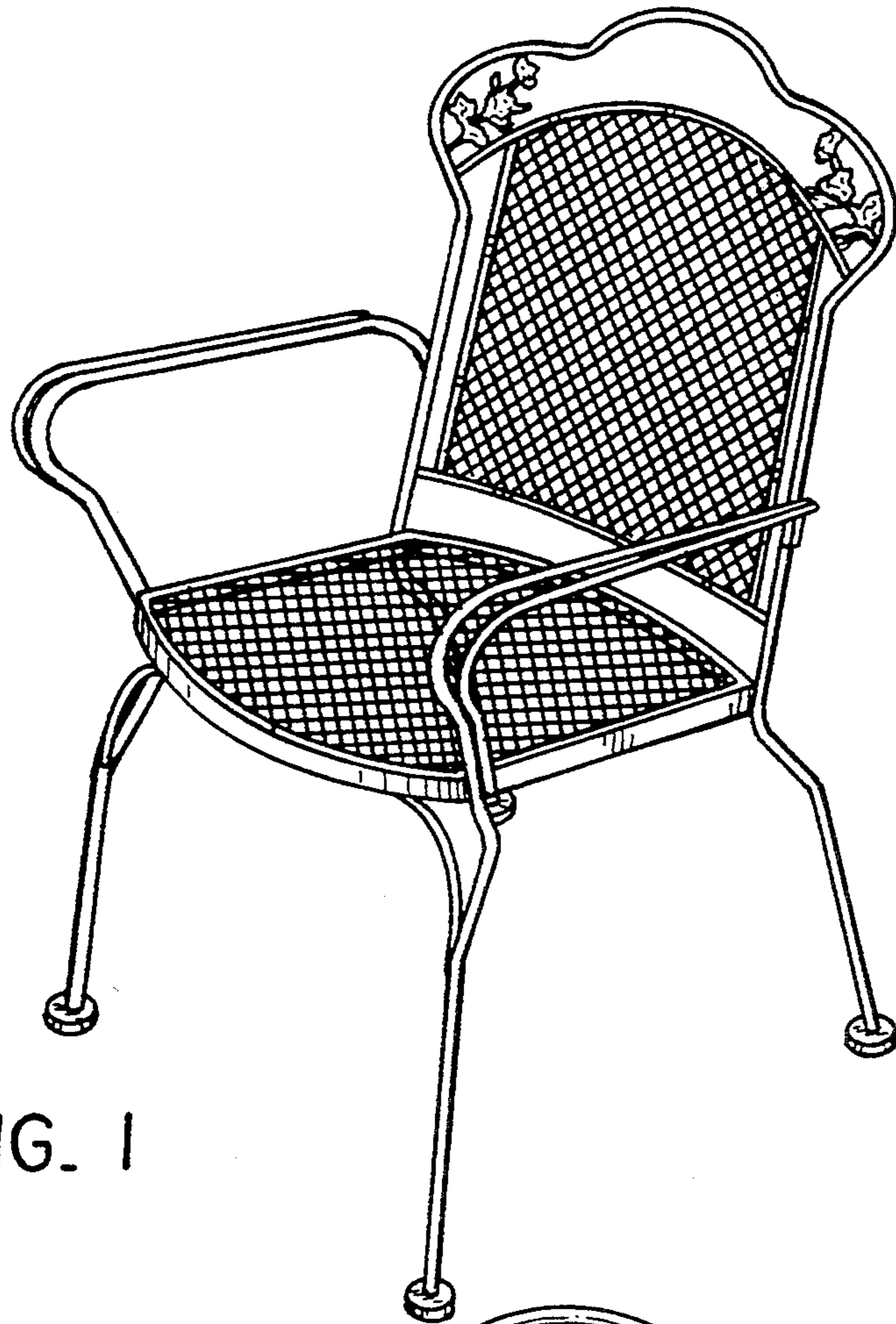


FIG. 1

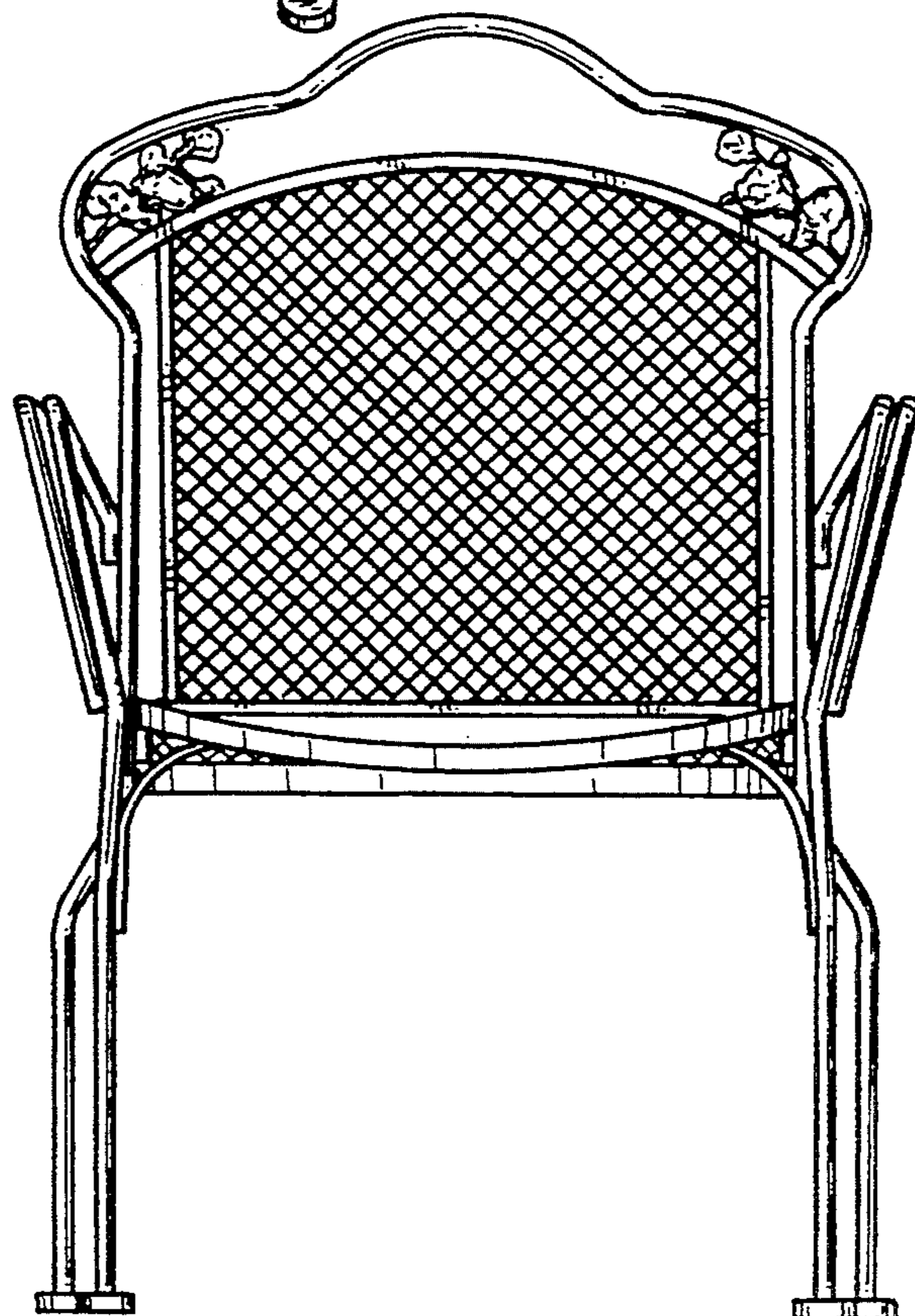


FIG. 2

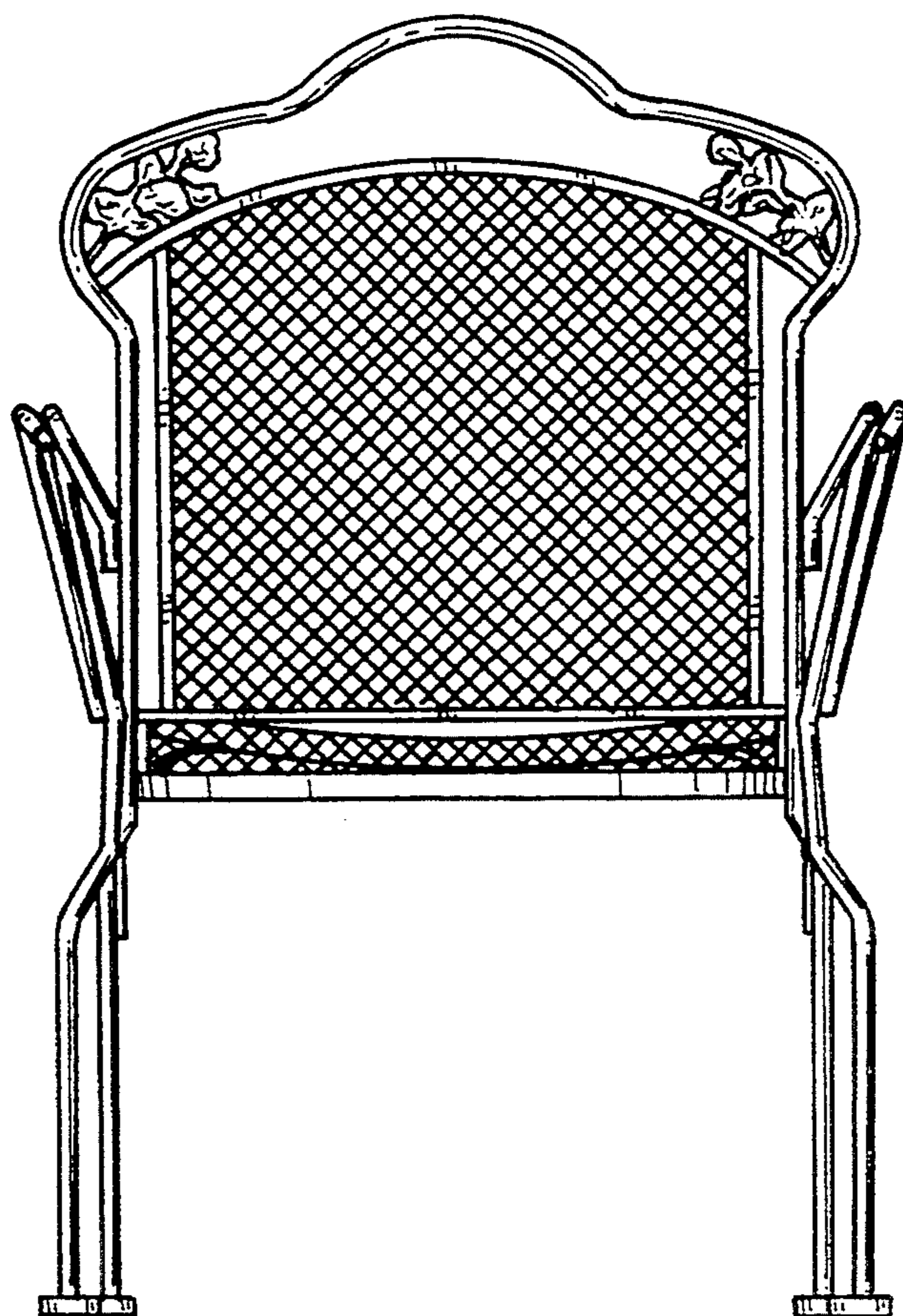


FIG. 3

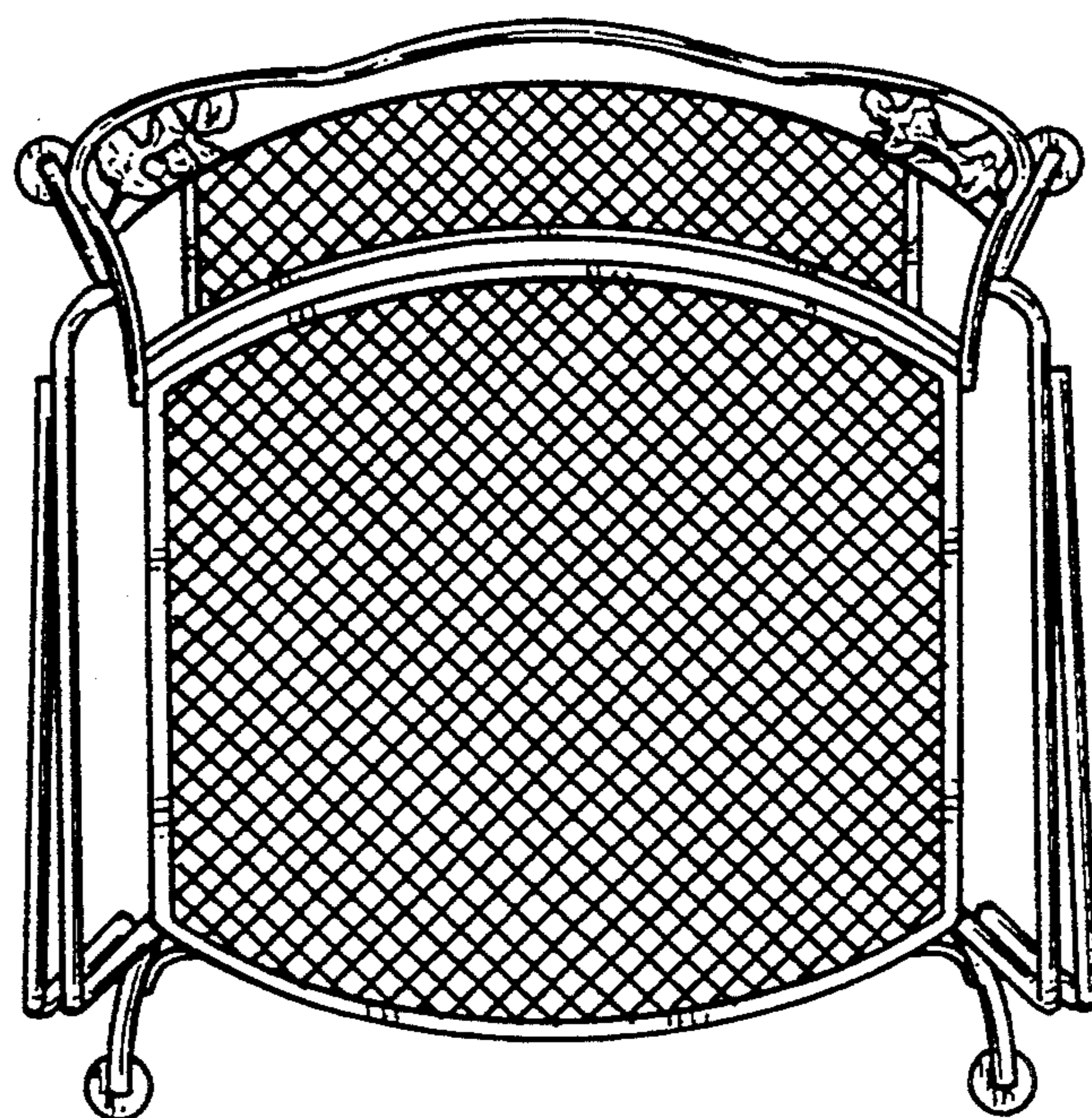


FIG. 4

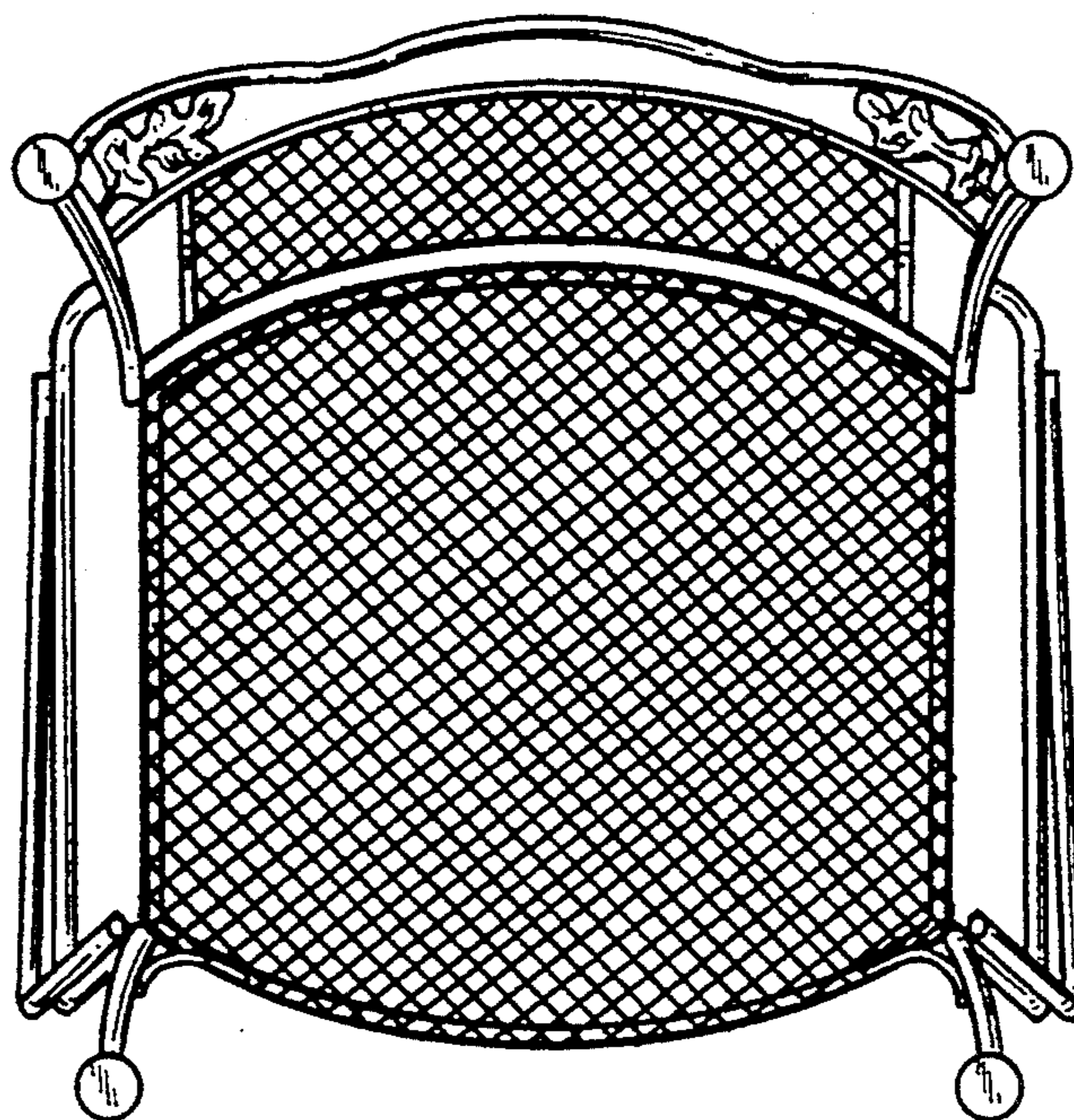


FIG. 5

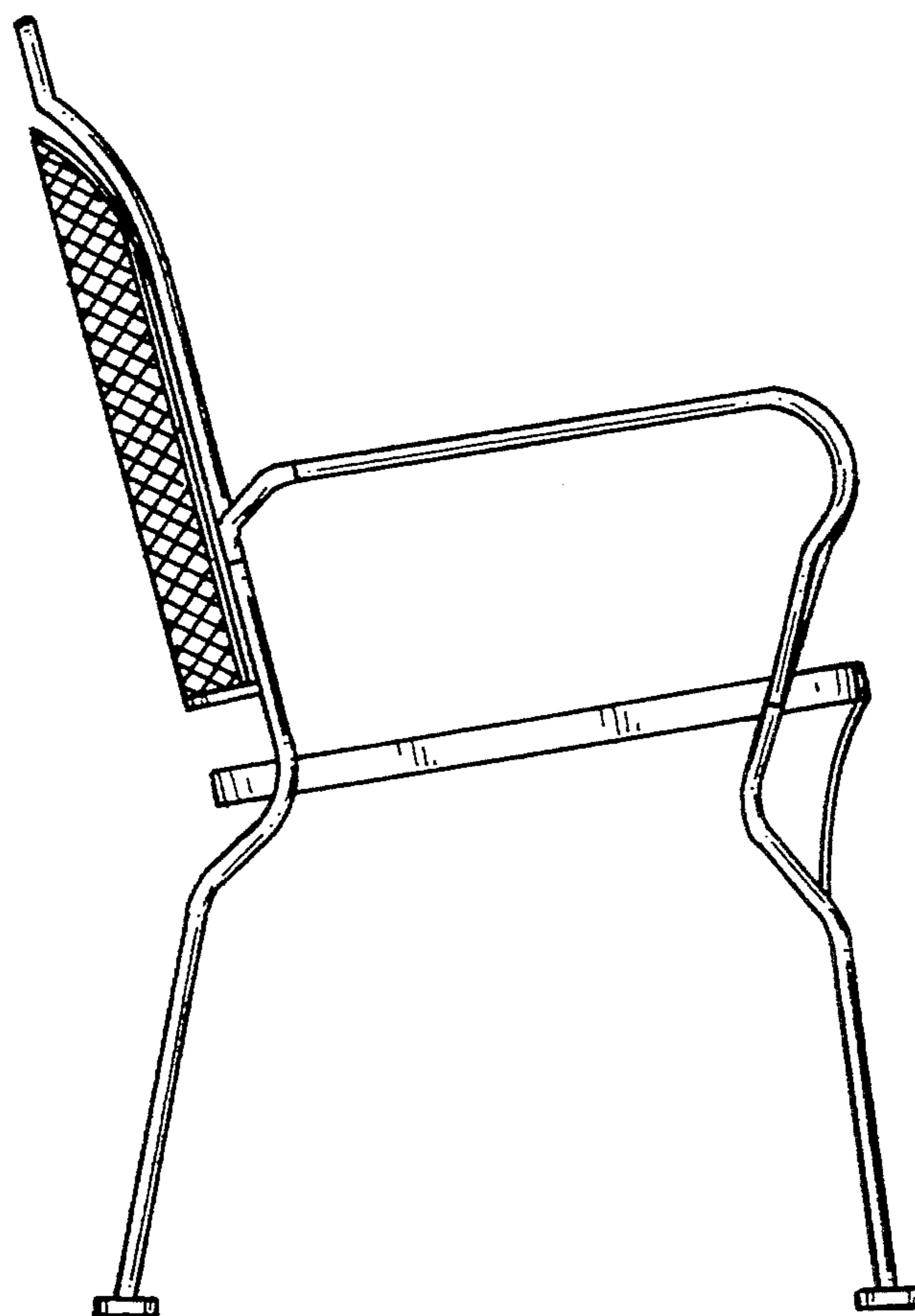


FIG. 6

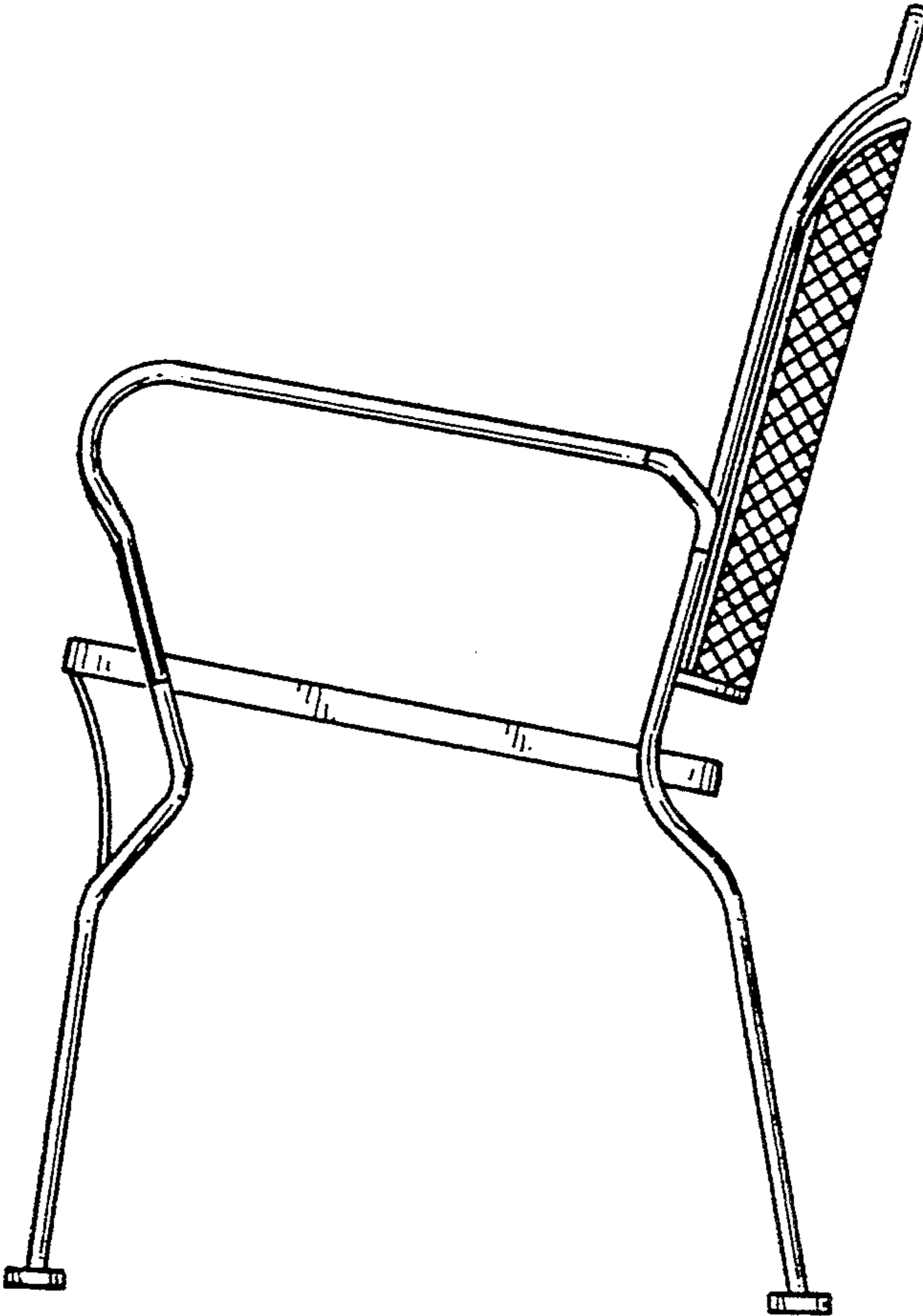


FIG. 7