



US00D357814S

# United States Patent [19]

[11] Patent Number: **Des. 357,814**

Vernia

[45] Date of Patent: **\*\* May 2, 1995**

[54] **MULTI-PURPOSE HANGER**

[76] Inventor: **Charles C. Vernia**, 14 North Hill Dr.,  
Floyds Knobs, Ind. 47119

[\*\*] Term: **14 Years**

[21] Appl. No.: **16,313**

[22] Filed: **Dec. 13, 1993**

[52] U.S. Cl. .... **D6/326; D6/315**

[58] Field of Search ..... **D6/315, 326, 319;**  
**211/113; 223/85, 87, 91, 95, 96**

[56] **References Cited**

**U.S. PATENT DOCUMENTS**

3,093,246	6/1963	Horton .....	D6/319
3,115,286	12/1963	Bassin .....	223/88
3,853,225	12/1974	Gegauff .	
5,040,707	8/1991	Ayano et al. ....	D6/315

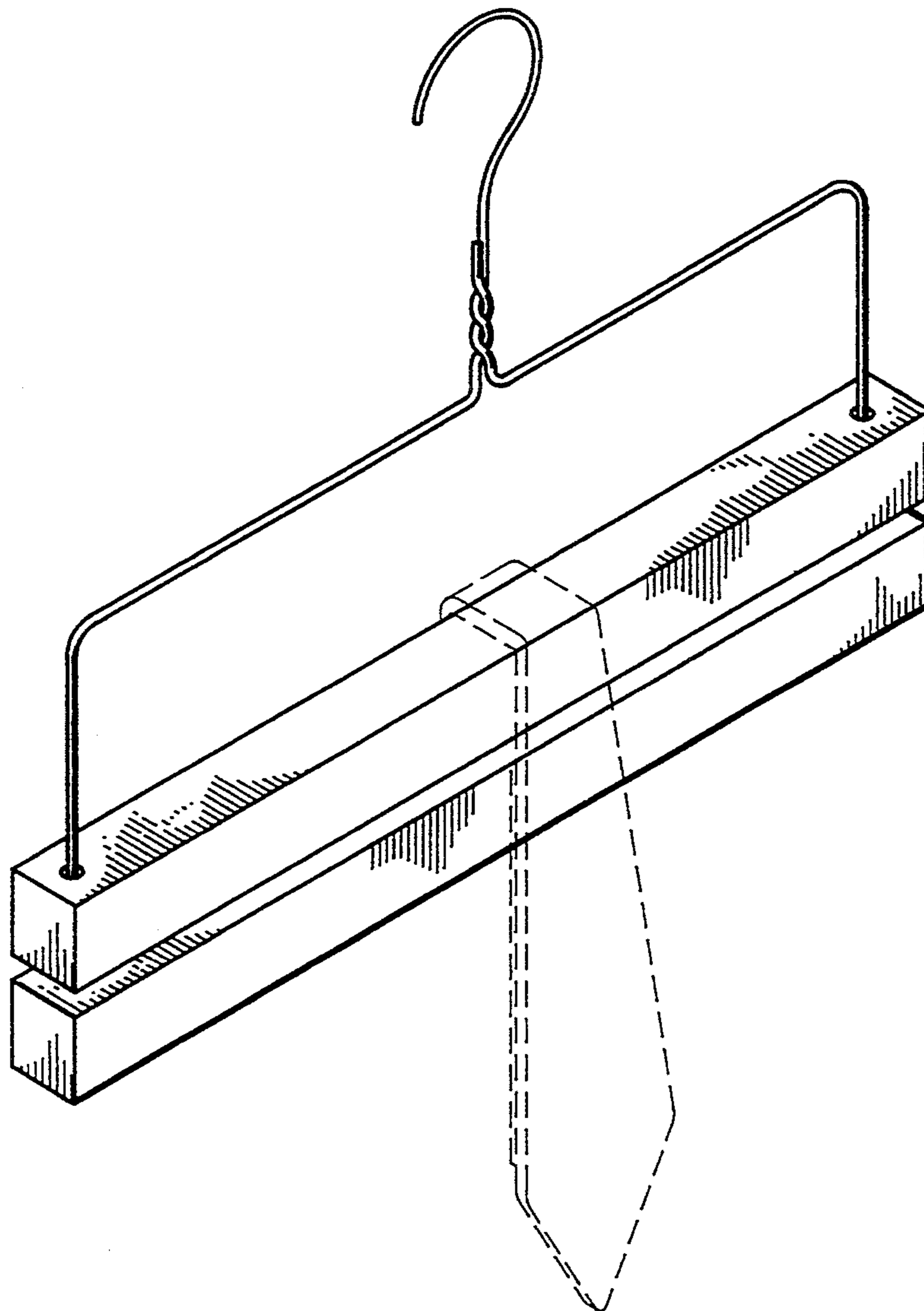
*Primary Examiner*—B. J. Bullock  
*Attorney, Agent, or Firm*—Rhodes & Ascolillo; David L. Baker

[57] **CLAIM**

The ornamental design for a combined multi-purpose hanger, as shown.

**DESCRIPTION**

FIG. 1 is a perspective view of a multi-purpose hanger showing my design therefor; the broken line drawing of a tie is for purposes of illustration only and forms no part of my claimed design;  
FIG. 2 is a top plan view;  
FIG. 3 is a front elevational view;  
FIG. 4 is a bottom plan view;  
FIG. 5 is a left side elevational view;  
FIG. 6 is a rear elevational view; and,  
FIG. 7 is a right side elevational view.



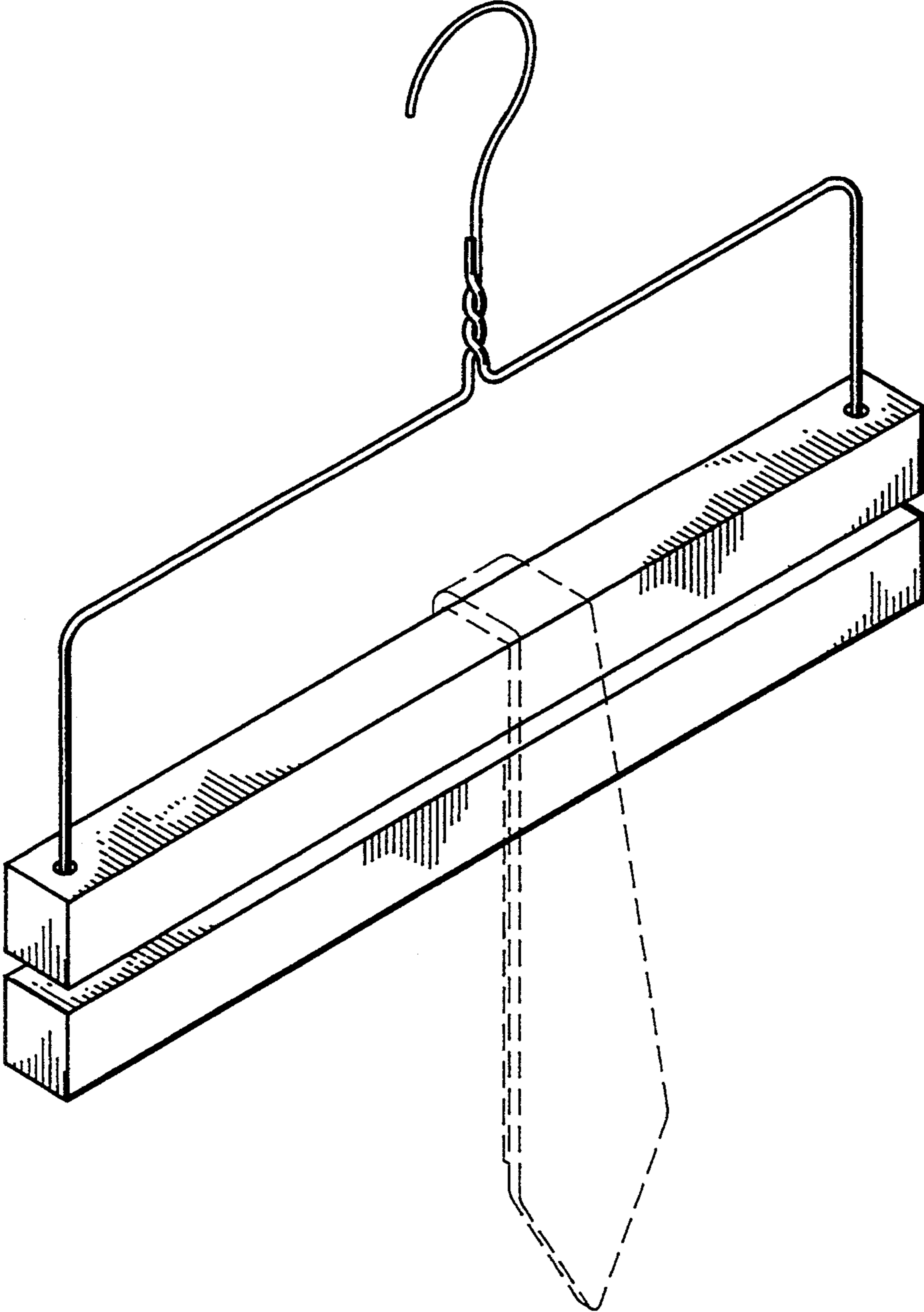


FIGURE 1

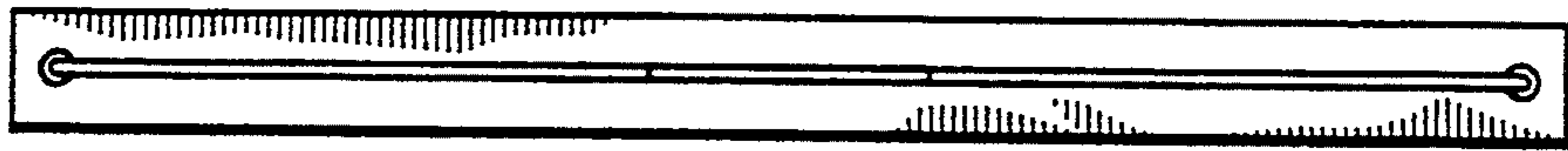


FIGURE 2

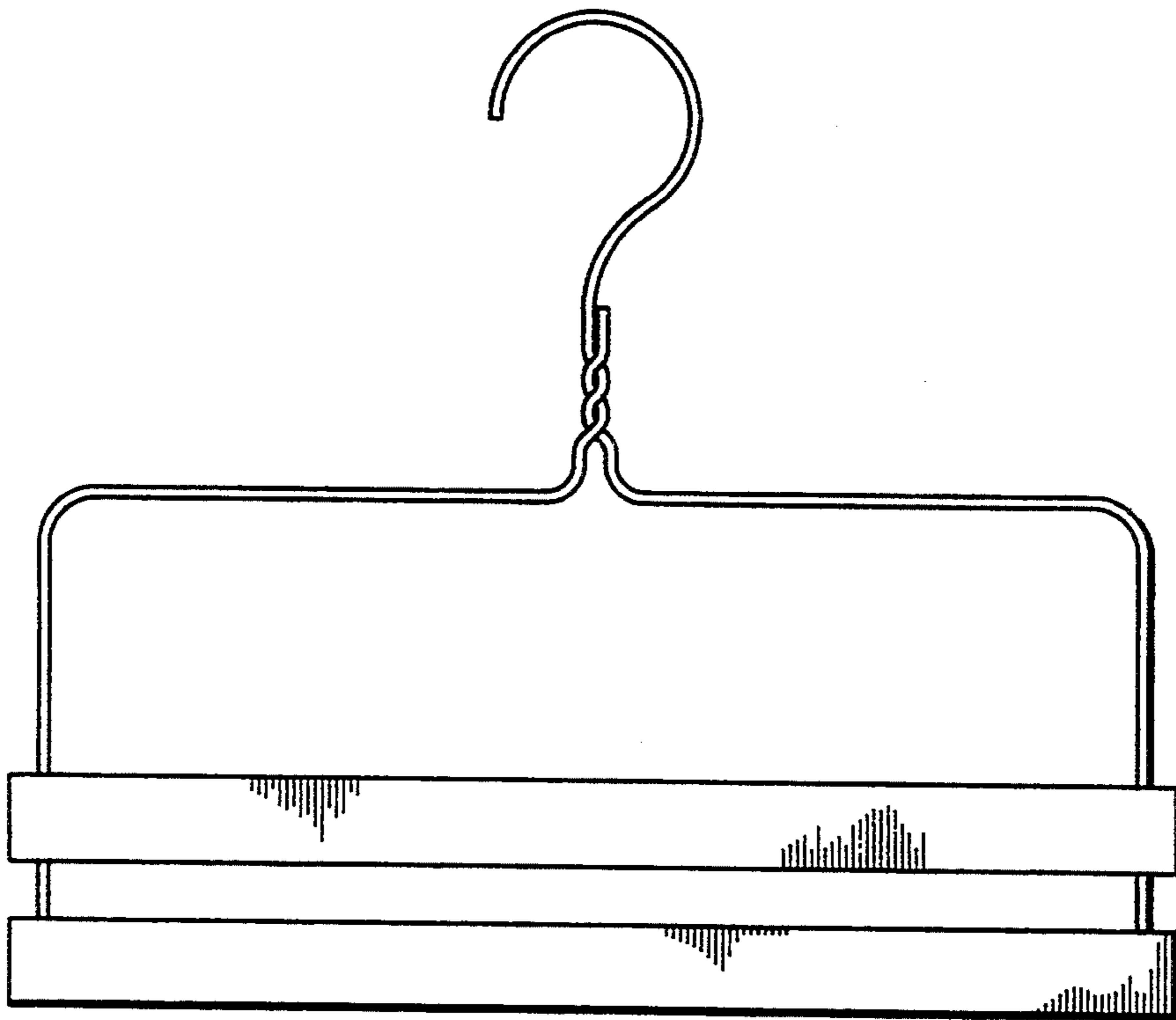


FIGURE 3



FIGURE 4



FIGURE 5

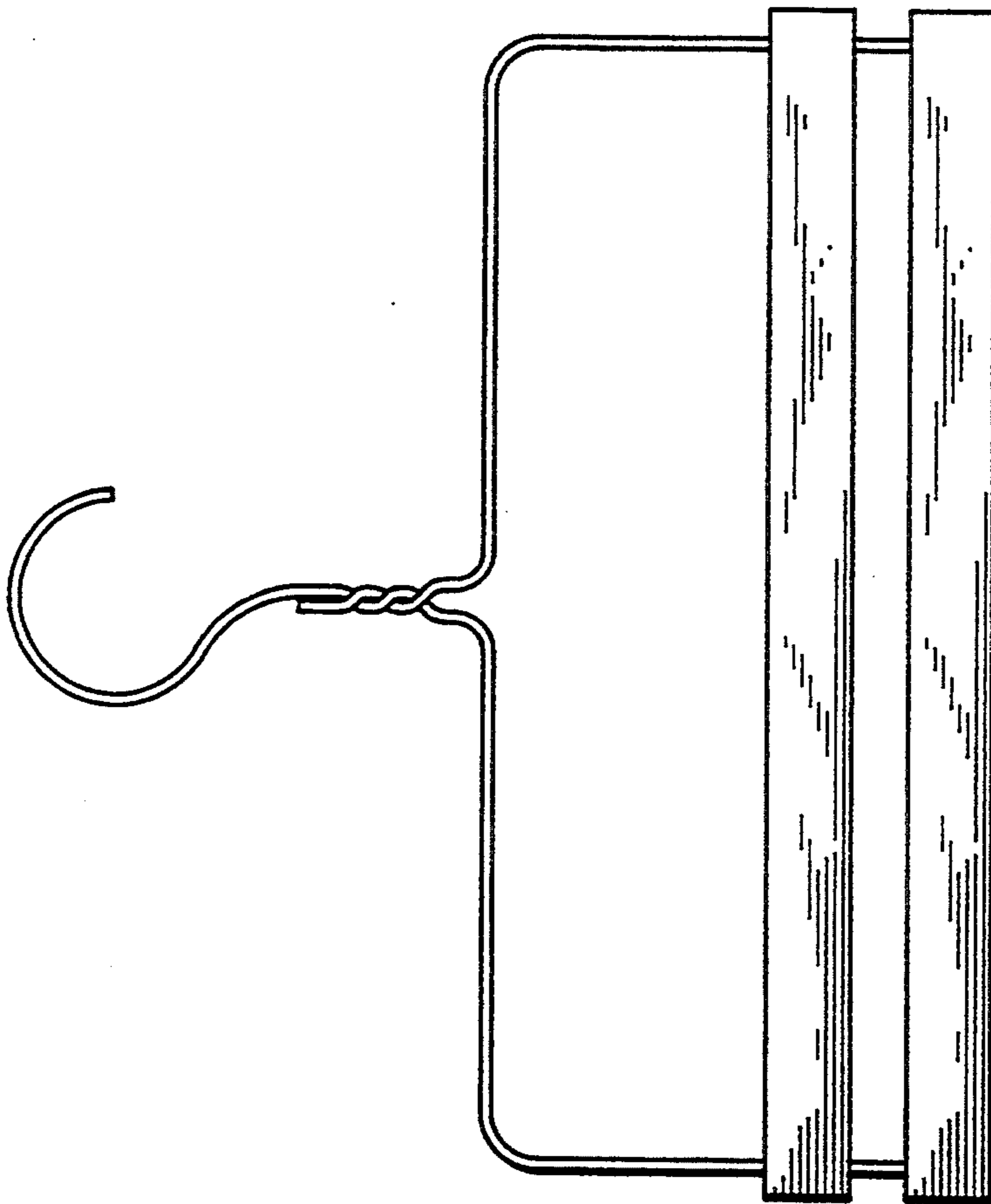


FIGURE 6



FIGURE 7