



US00D357808S

United States Patent [19]

[11] Patent Number: **Des. 357,808**

Aumasson

[45] Date of Patent: **** May 2, 1995**

[54] **FRONT AND SIDE PANELS FOR A PIECE OF LUGGAGE**

D. 336,365 6/1993 Huang D3/279
2,472,491 6/1949 Quinton D3/279 X
3,948,365 4/1976 Gregg et al. 190/18 A

[75] Inventor: **Michel Aumasson, Rueil-Malmaison, France**

Primary Examiner—Prabhakar G. Deshmukh
Assistant Examiner—Dominic Simone
Attorney, Agent, or Firm—Finnegan, Henderson, Farabow, Garrett & Dunner

[73] Assignee: **Delsey (Societe Anonyme), Bobigny, France**

[**] Term: **14 Years**

[57] **CLAIM**

[21] Appl. No.: **9,254**

The ornamental design for front and side panels for a piece of luggage, as shown and described.

[22] Filed: **Jun. 9, 1993**

DESCRIPTION

[30] **Foreign Application Priority Data**

Dec. 14, 1992 [FR] France 927,574

[52] U.S. Cl. **D3/318; D3/276**

[58] Field of Search D3/273, 276, 279, 291,
D3/318; 190/18 R, 18 A, 100, 115, 900;
206/278, 305, 349, 557

FIG. 1 is a perspective view of the front and side panels for a piece of luggage incorporating my new design in the open handle position;

FIG. 2 is a perspective view of the luggage incorporating my new design in the closed handle position;

FIG. 3 is front view thereof;

FIG. 4 is left side view;

FIG. 5 is a top plan view thereof; and,

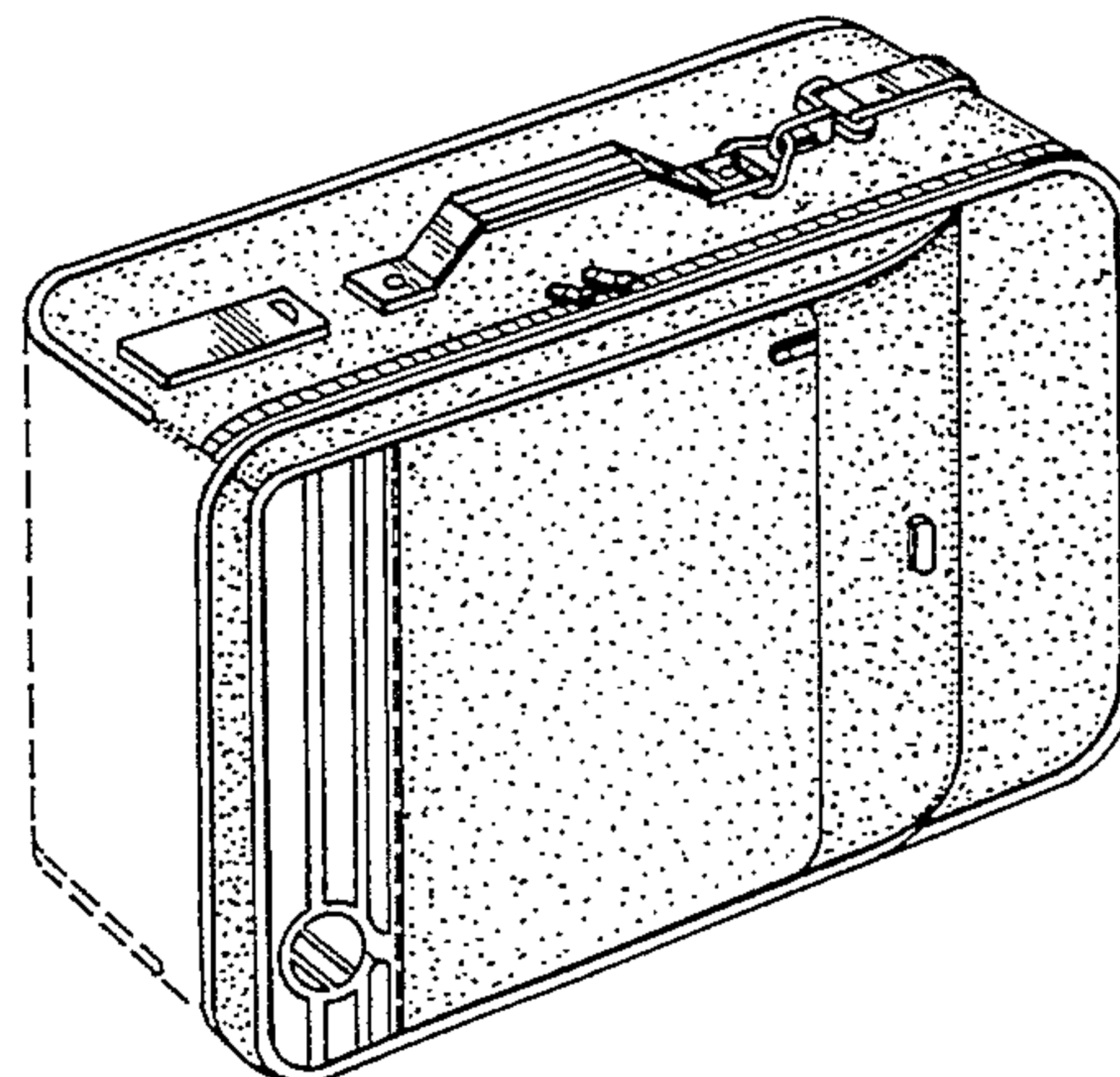
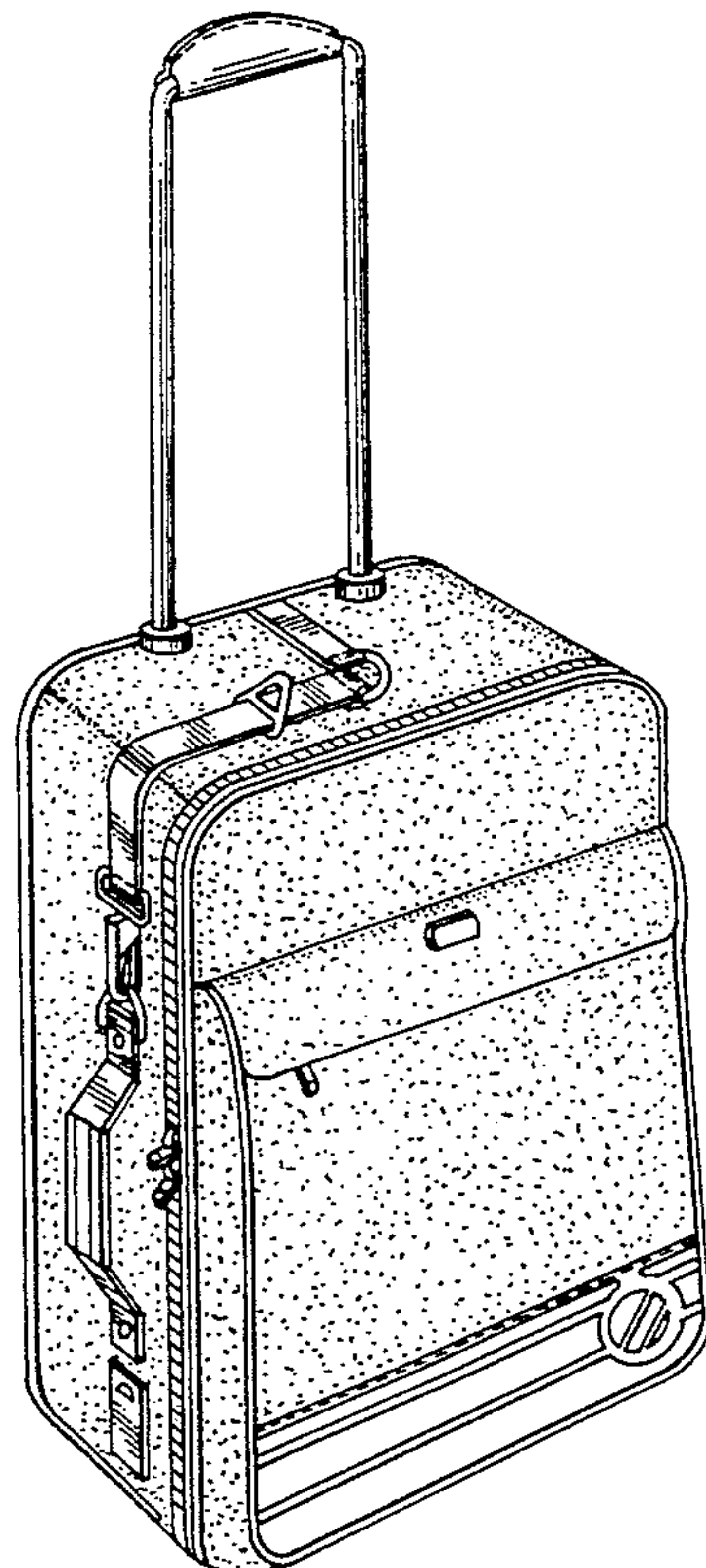
FIG. 6 is another perspective view thereof.

The broken lines in FIG. 6 are for the purpose of showing environmental structure only and form no part of the claimed design.

[56] **References Cited**

U.S. PATENT DOCUMENTS

D. 327,170 6/1992 Maloney D3/279
D. 329,139 9/1992 Oltrogge D3/279



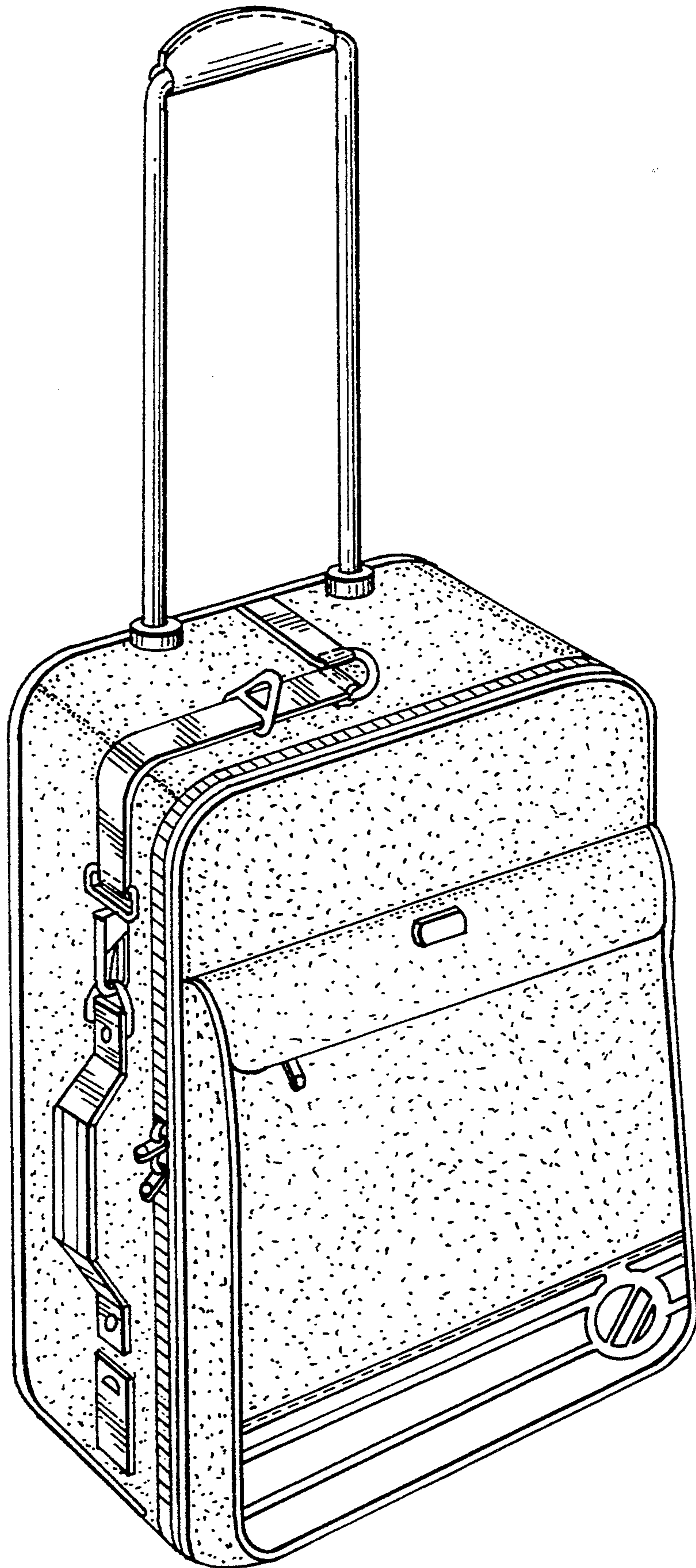


FIG. 1



FIG. 2

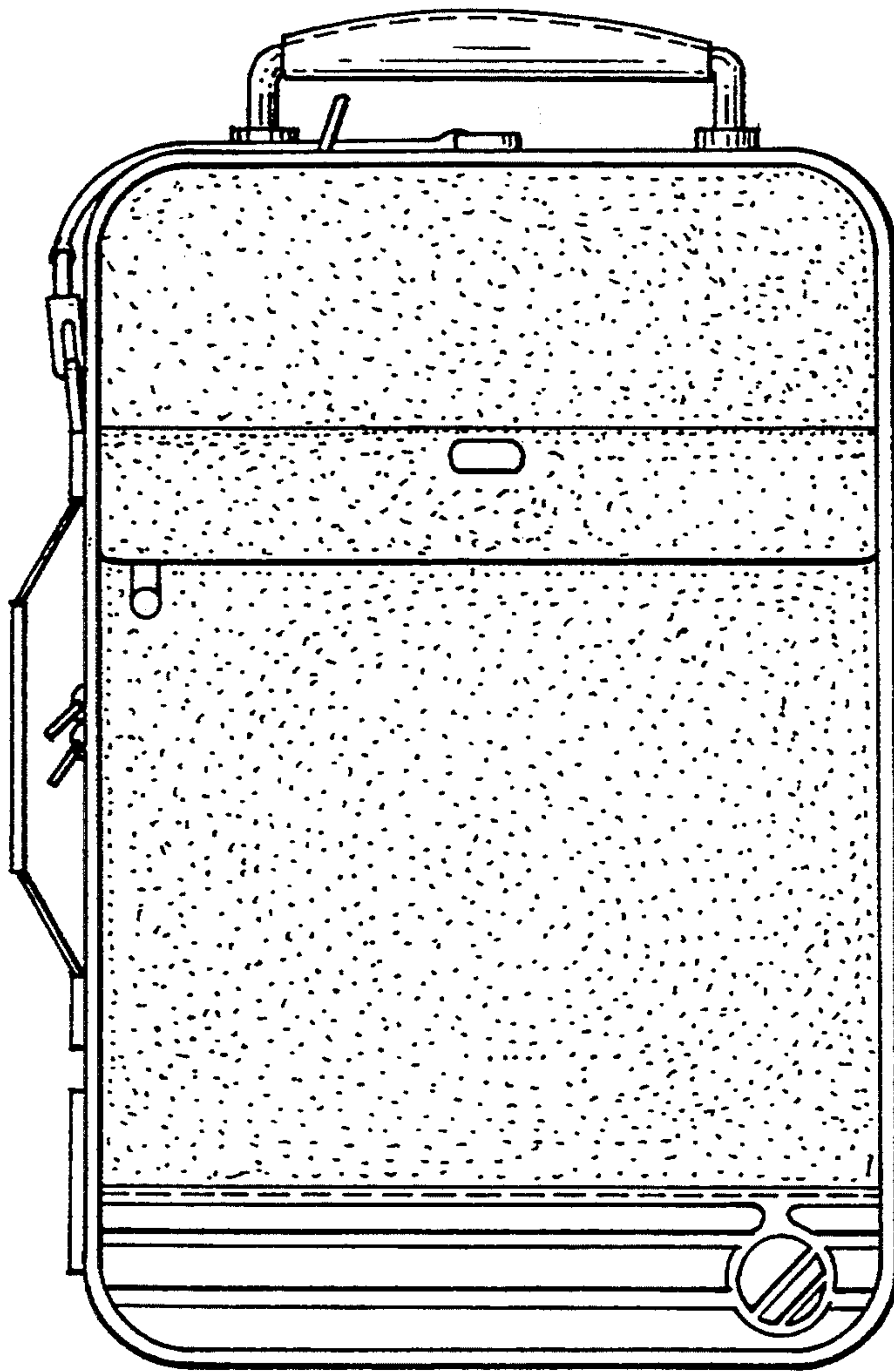


FIG. 3

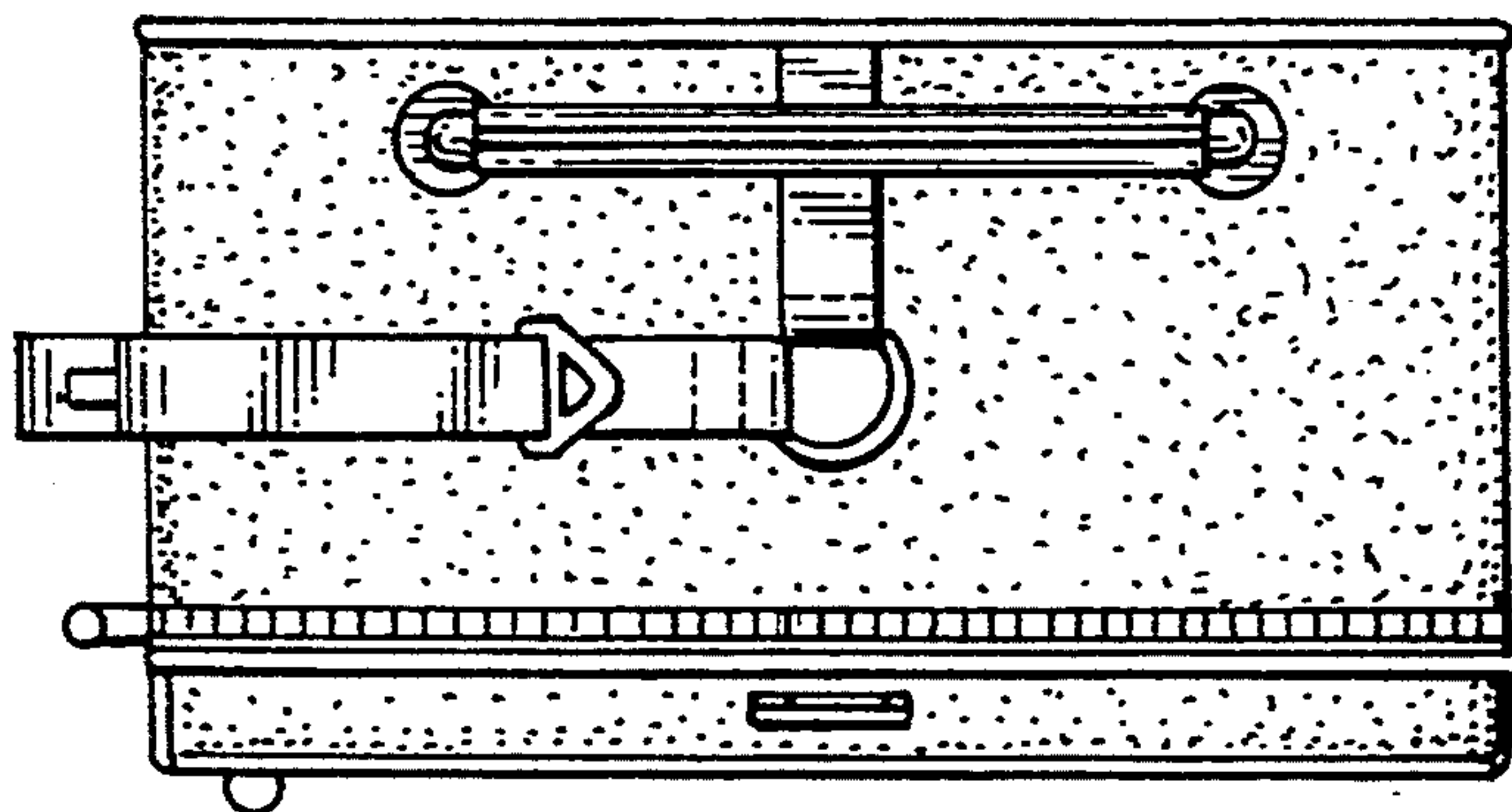


FIG. 5

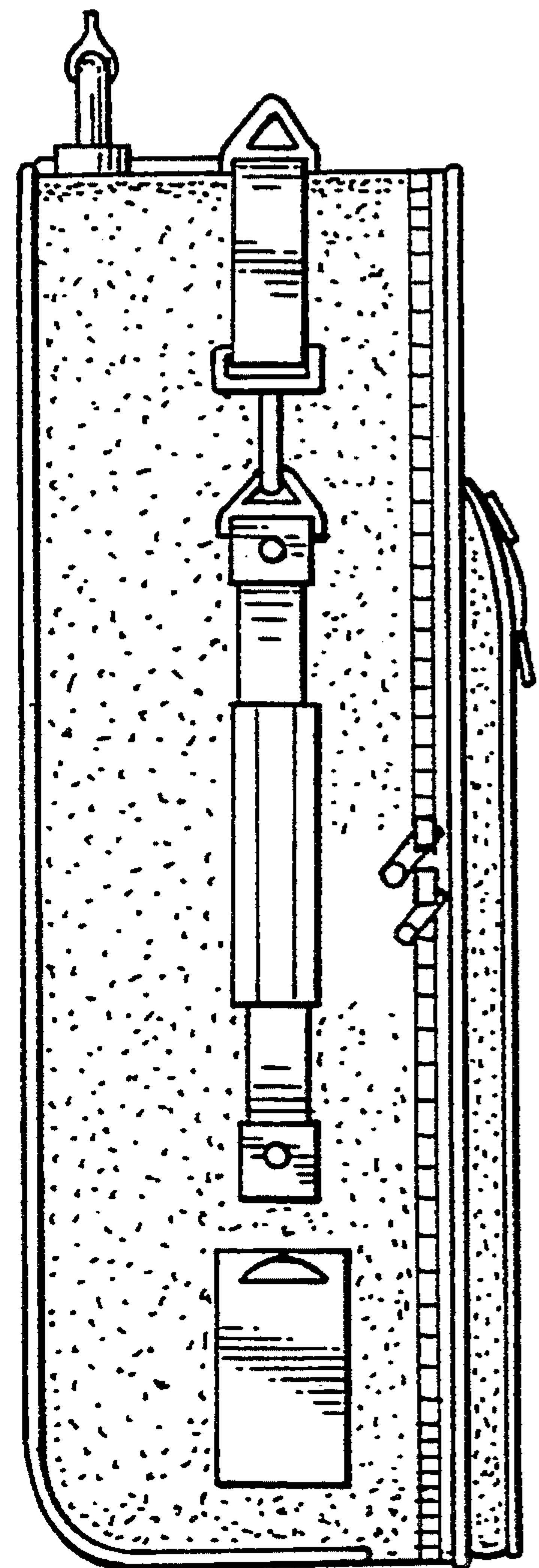


FIG. 4

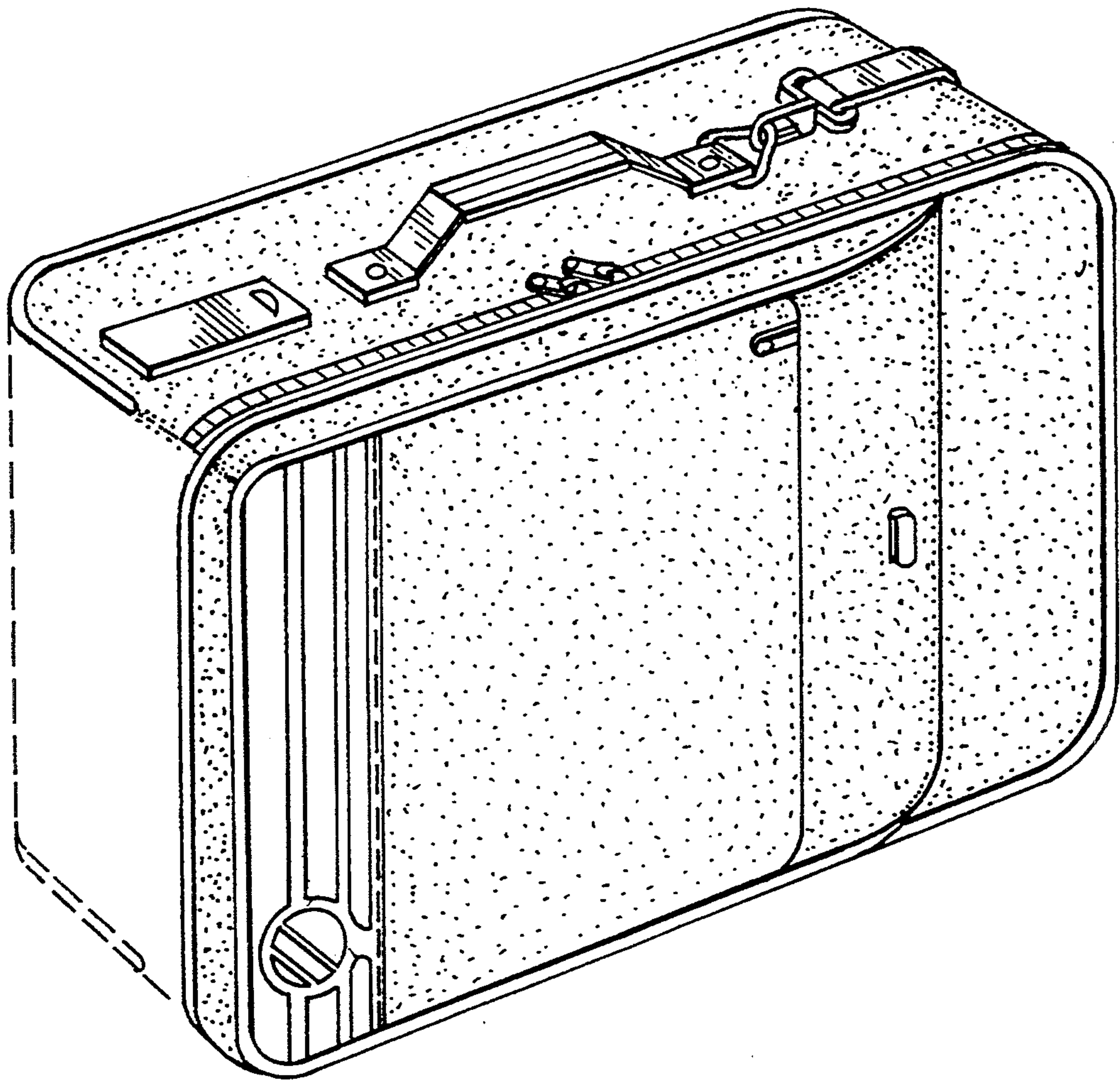


FIG. 6