



US00D357805S

# United States Patent [19]

[11] Patent Number: **Des. 357,805**

**Abrams et al.**

[45] Date of Patent: **\*\* May 2, 1995**

[54] **CONTACT LENS PACKAGE**

[76] Inventors: **Richard W. Abrams**, 3889 Habersham Forest Dr., Jacksonville, Fla. 32223;  
**Russell J. Crossman**, 4496 Charter Point Blvd., Jacksonville, Fla. 32211;  
**Charles R. Ashley**, P.O. Box 5325, Clinton, N.J. 08809

D. 305,478	1/1990	Lahm et al.	.....	D3/264
D. 306,561	3/1990	Lee	.....	D9/415
D. 329,600	9/1992	LaJoie	.....	D9/341
D. 338,619	8/1993	Mylander et al.	.....	D9/415
3,037,616	6/1962	Phipps, III	.....	206/5.1
4,691,820	9/1987	Martinez	.....	206/205
5,168,993	12/1992	Yen	.....	206/316.1

[\*\*] Term: **14 Years**

*Primary Examiner*—C. A. Murphy

[21] Appl. No.: **21,793**

[57] **CLAIM**

[22] Filed: **Apr. 21, 1994**

The ornamental design for a contact lens package, as shown and described.

[52] U.S. Cl. .... **D3/264**

**DESCRIPTION**

[58] Field of Search ..... D3/201, 263, 264;  
D9/341, 415; D6/134, 136; 206/5.1, 206, 316.1,  
822; 134/143, 156, 901

FIG. 1 is a perspective view of a contact lens package showing our new design;

FIG. 2 is a right side elevational view thereof; the left side being a mirror image;

FIG. 3 is a top plan view thereof;

FIG. 4 is a bottom plan view thereof;

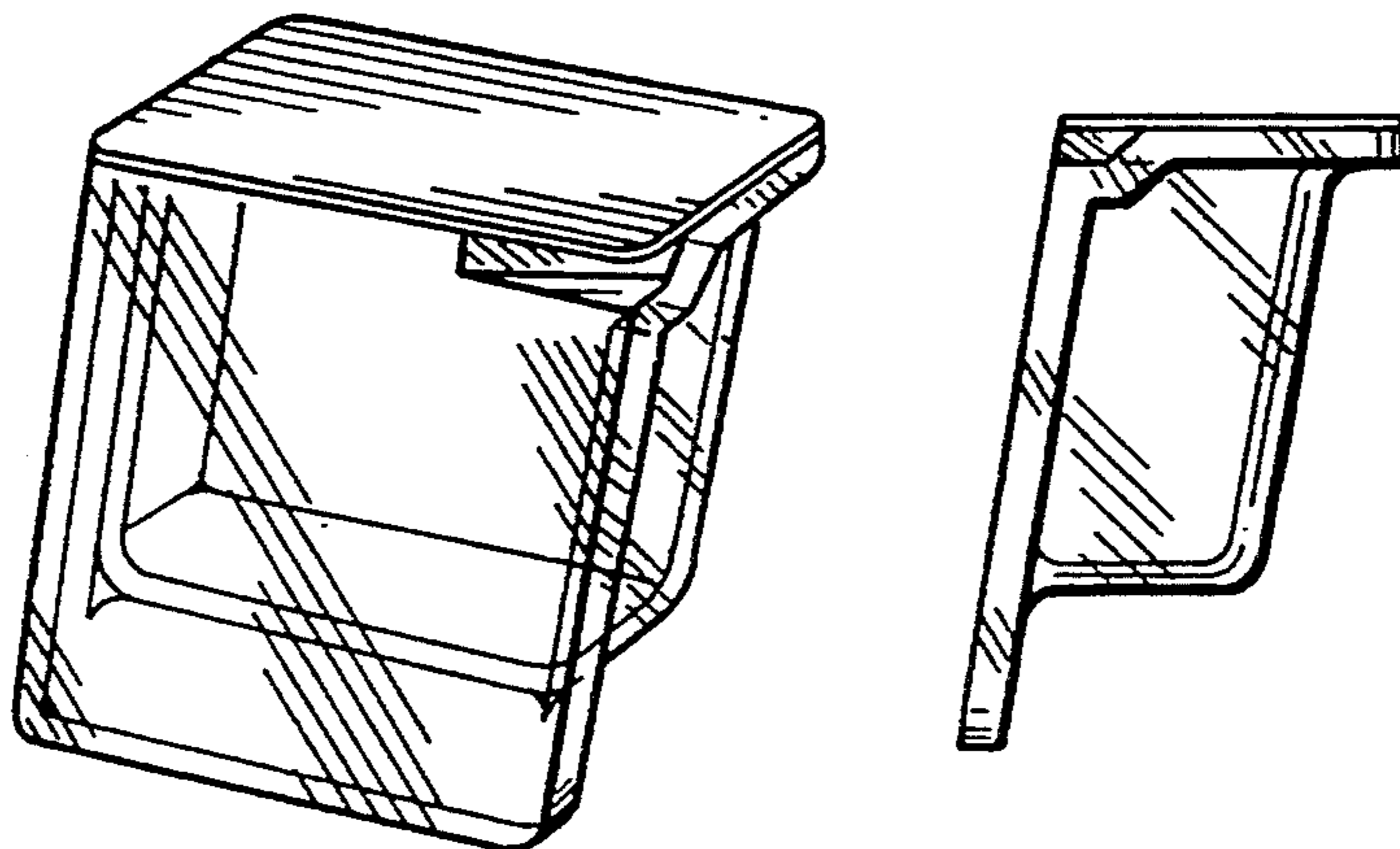
FIG. 5 is a front elevational view thereof; and,

FIG. 6 is a rear elevational view thereof.

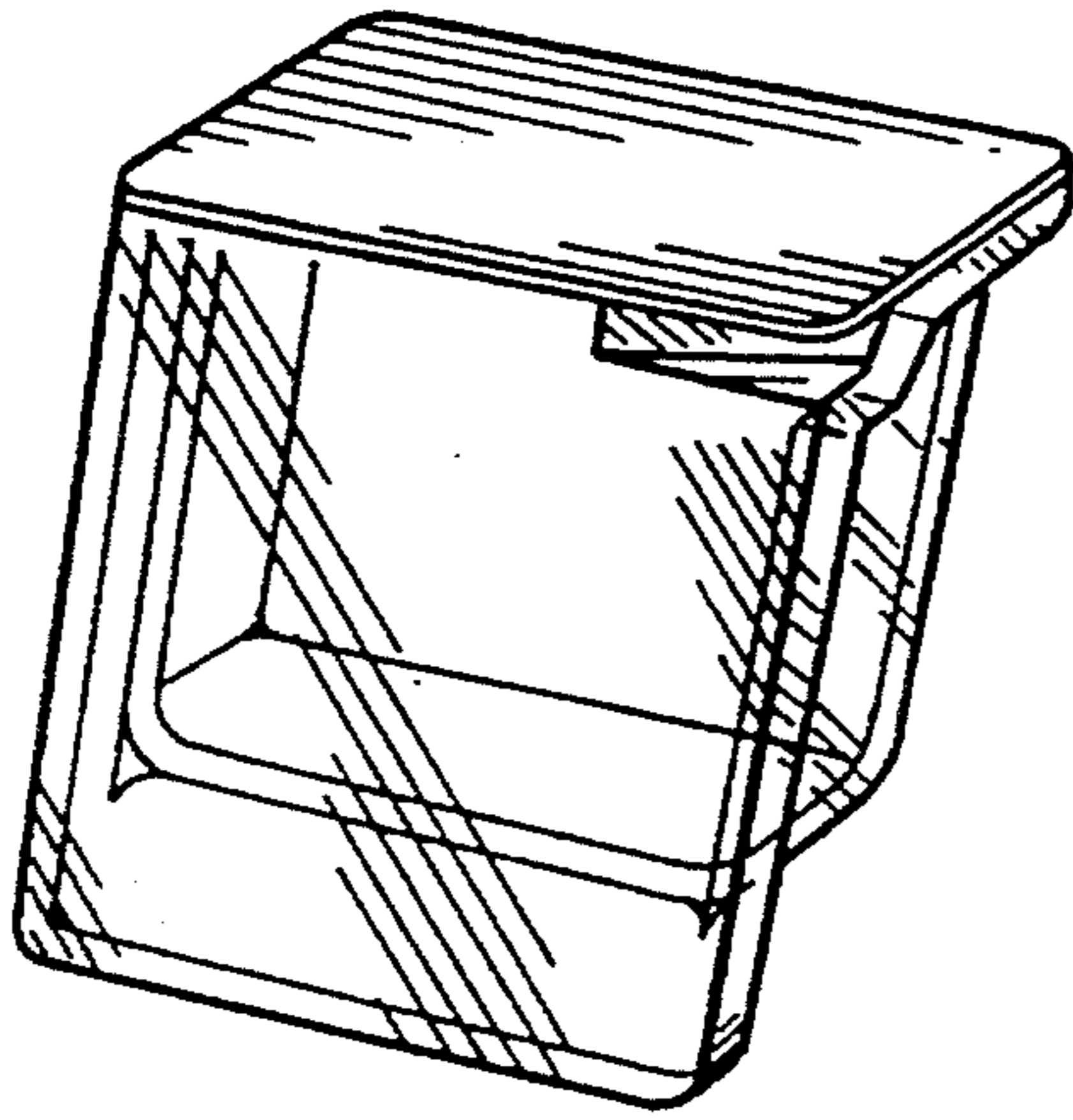
[56] **References Cited**

**U.S. PATENT DOCUMENTS**

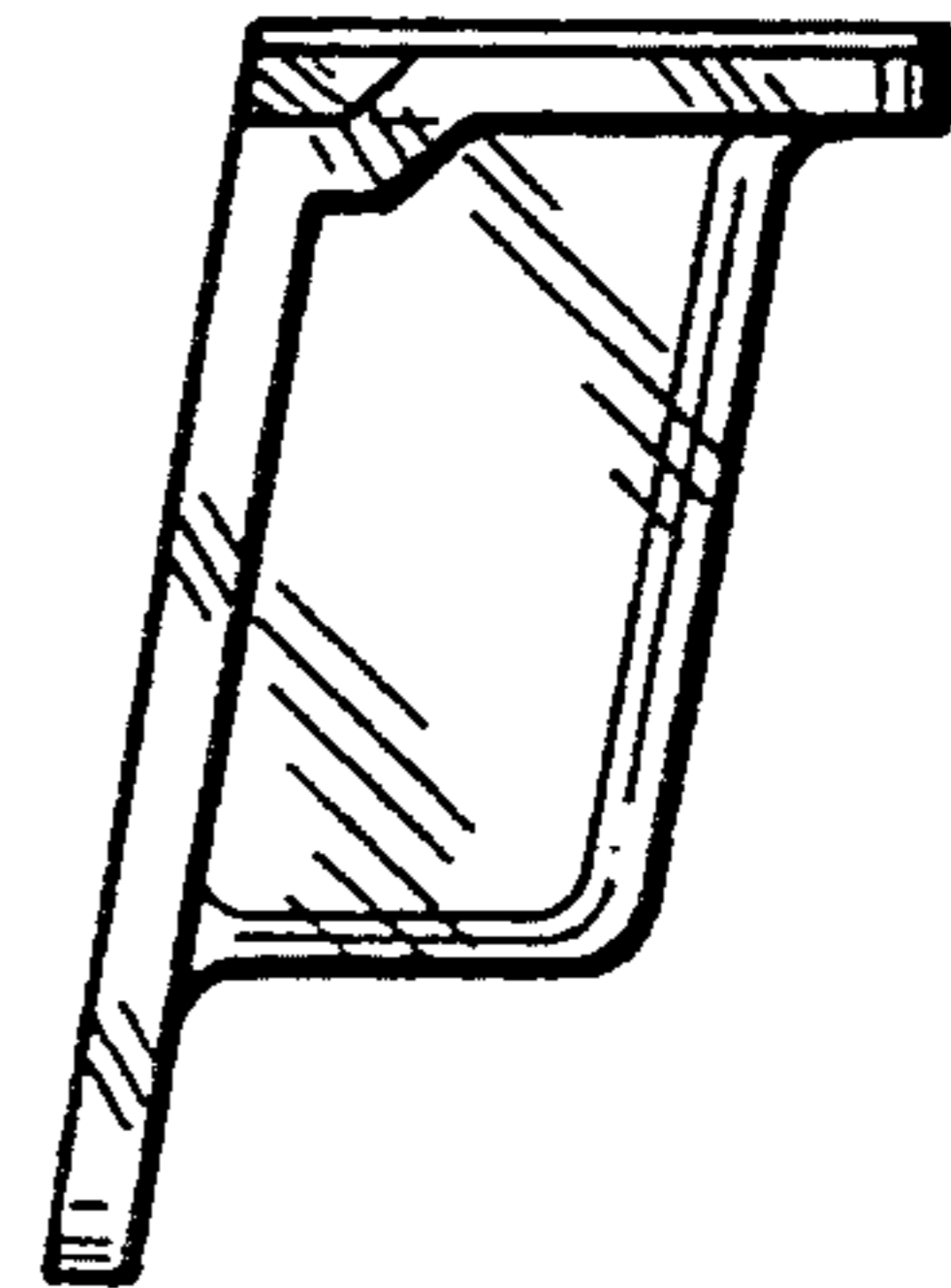
D. 286,111	10/1986	Perchak	.....	D9/341
D. 299,085	12/1988	Martinez	.....	D3/264



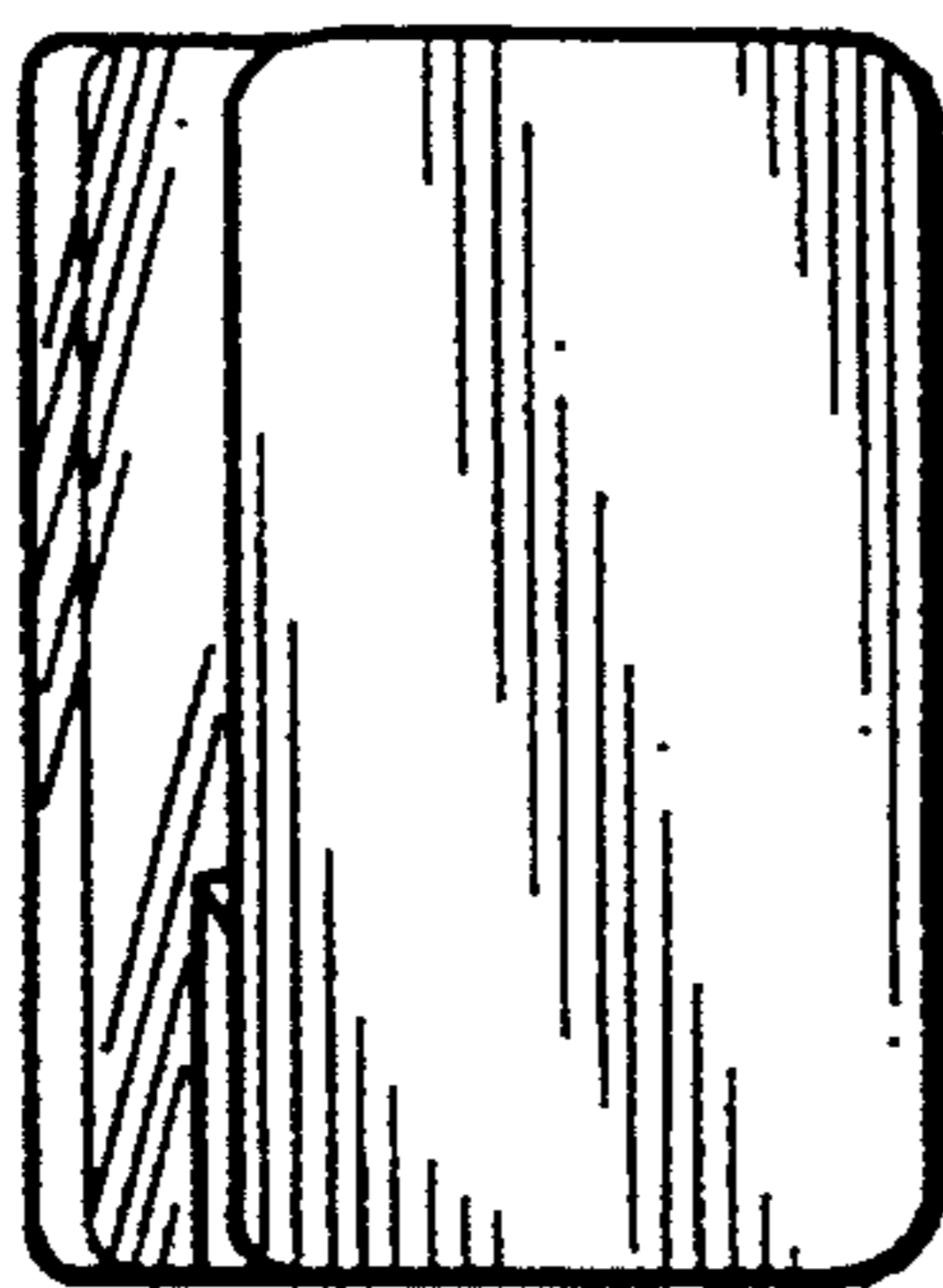
*FIG-1*



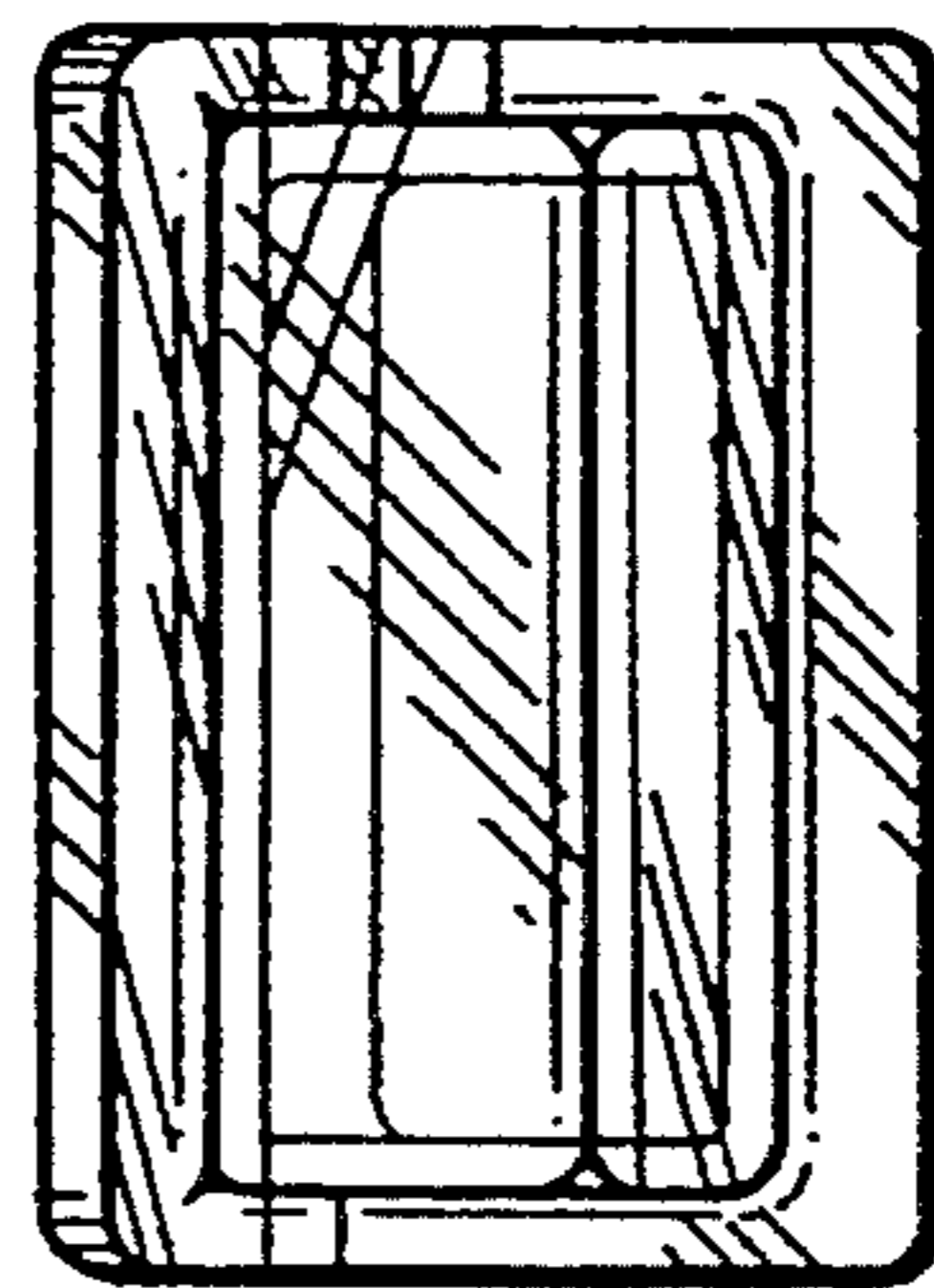
*FIG-2*



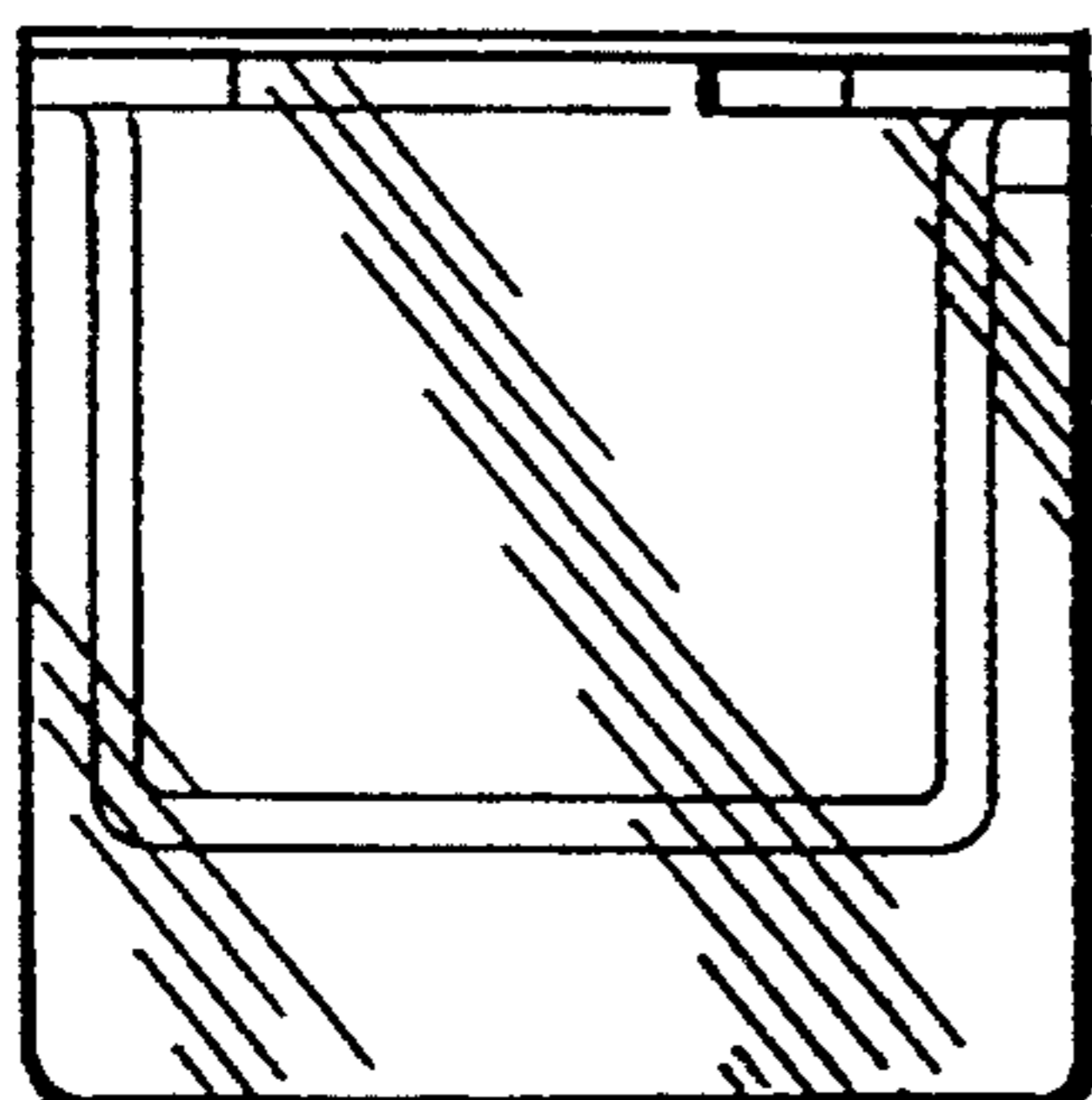
*FIG-3*



*FIG-4*



*FIG-5*



*FIG-6*

