



US00D357804S

United States Patent [19]

[11] Patent Number: **Des. 357,804**

Abrams et al.

[45] Date of Patent: **** May 2, 1995**

[54] CONTACT LENS PACKAGE

[76] Inventors: **Richard W. Abrams**, 3889 Habersham Forest Dr., Jacksonville, Fla. 32223;
Russell J. Crossman, 4496 Charter Point Blvd., Jacksonville, Fla. 32211;
Charles R. Ashley, P.O. Box 5325, Clinton, N.J. 08809

D. 329,600	9/1992	LaJoie	D9/341
D. 338,619	8/1993	Mylander et al.	D9/415
3,460,552	8/1969	Sturgeon	134/143
3,661,248	5/1972	Isen et al.	206/5.1
3,804,236	4/1974	Tanaka	206/205
4,691,820	9/1987	Martinez	206/205
4,817,789	4/1989	Paul	206/5.1

[**] Term: **14 Years**

Primary Examiner—C. A. Murphy

[21] Appl. No.: **21,660**

[57] CLAIM

[22] Filed: **Apr. 21, 1994**

The ornamental design for a contact lens package, as shown and described.

[52] U.S. Cl. **D3/264**

DESCRIPTION

[58] Field of Search D3/201, 263, 264;
D9/341, 415; D16/134, 136; 206/5.1, 205,
316.1, 822; 134/143, 156, 901

FIG. 1 is a perspective view of a contact lens package showing our new design;
FIG. 2 is a right side elevational view thereof; the left side being a mirror image;
FIG. 3 is a top plan view thereof;
FIG. 4 is a bottom plan view thereof;
FIG. 5 is a front elevational view thereof; and,
FIG. 6 is a rear elevational view thereof.

[56] References Cited

U.S. PATENT DOCUMENTS

D. 308,485 6/1990 Yeske D9/341

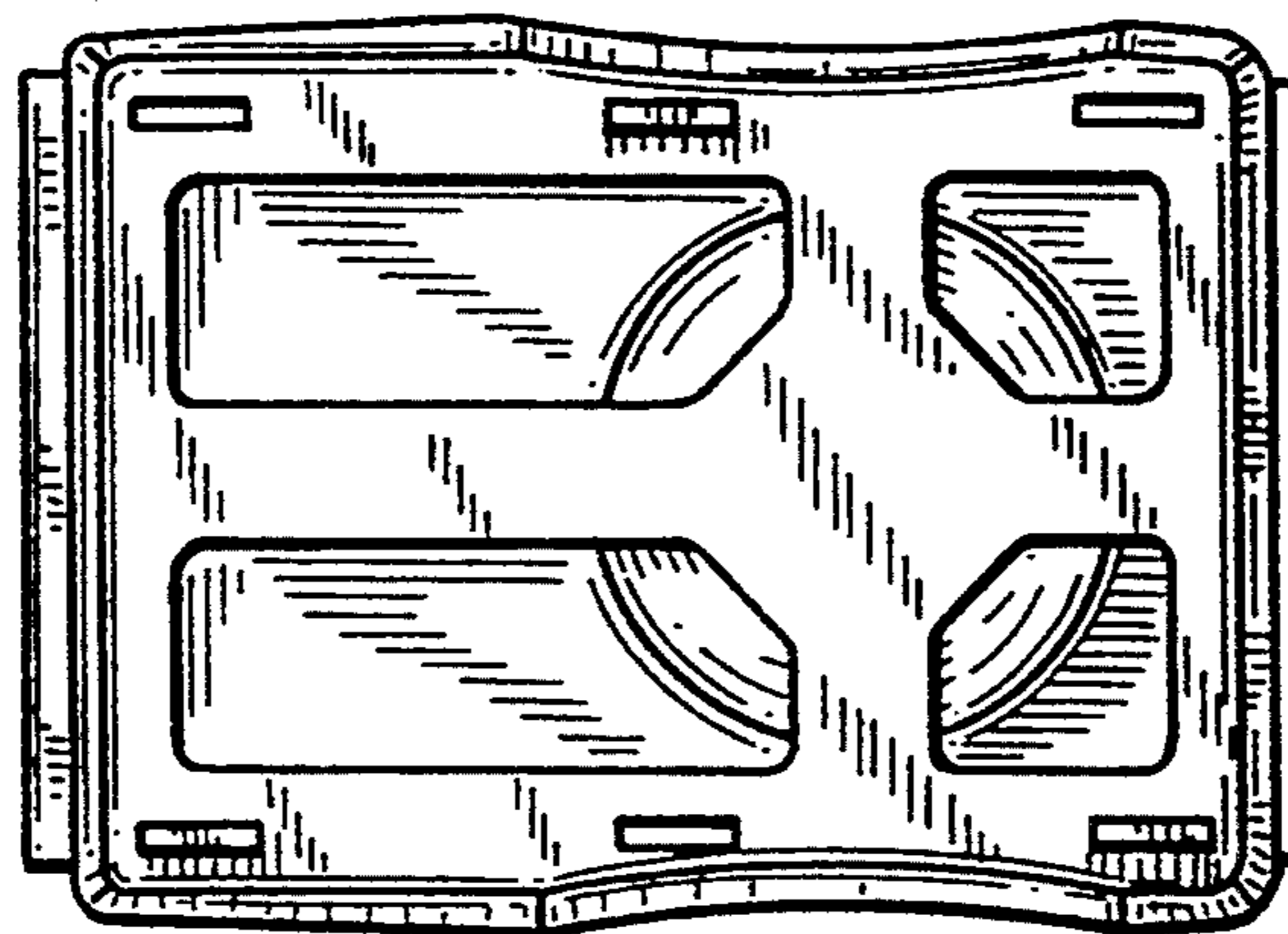
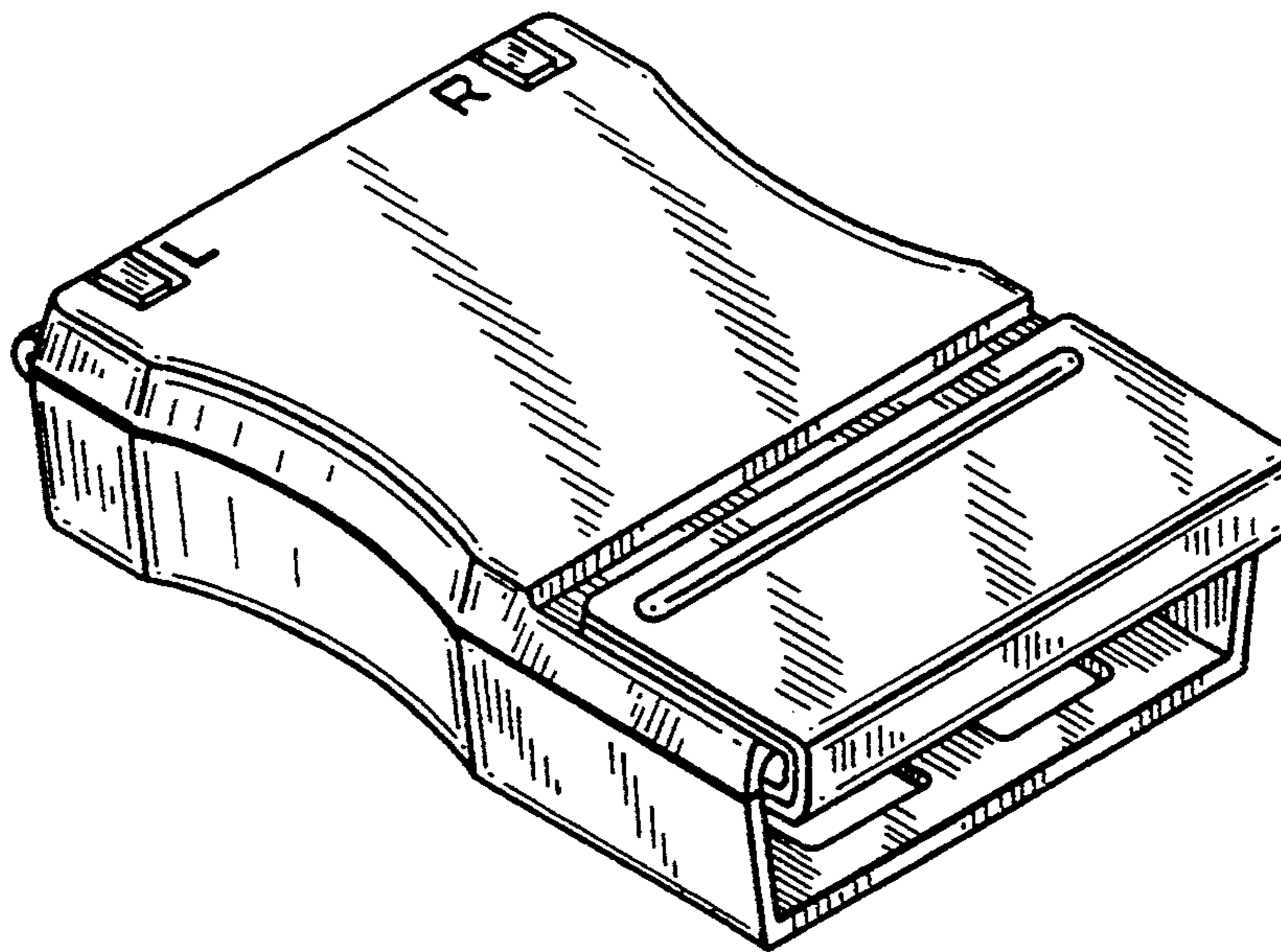


FIG-1

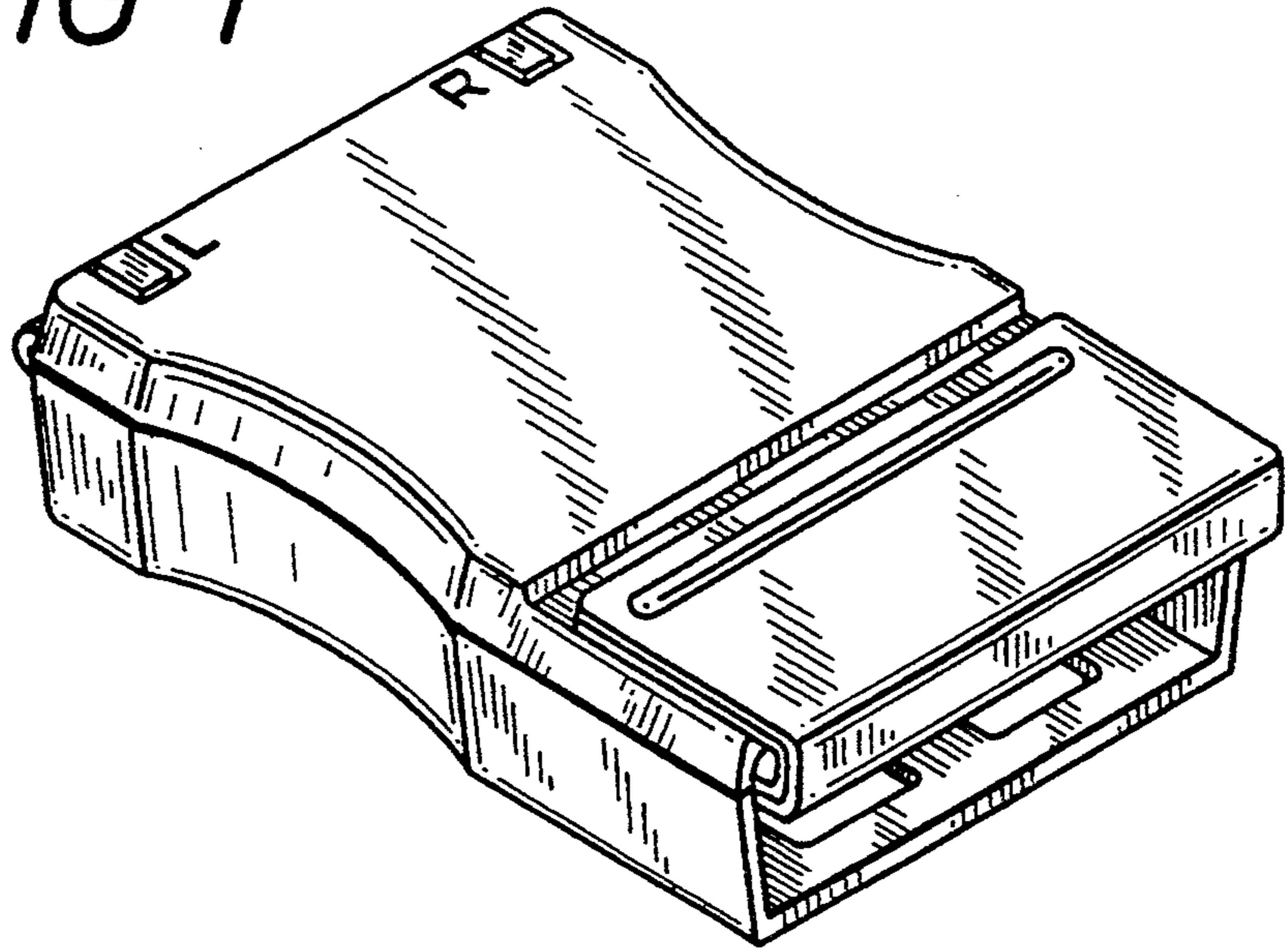


FIG-2

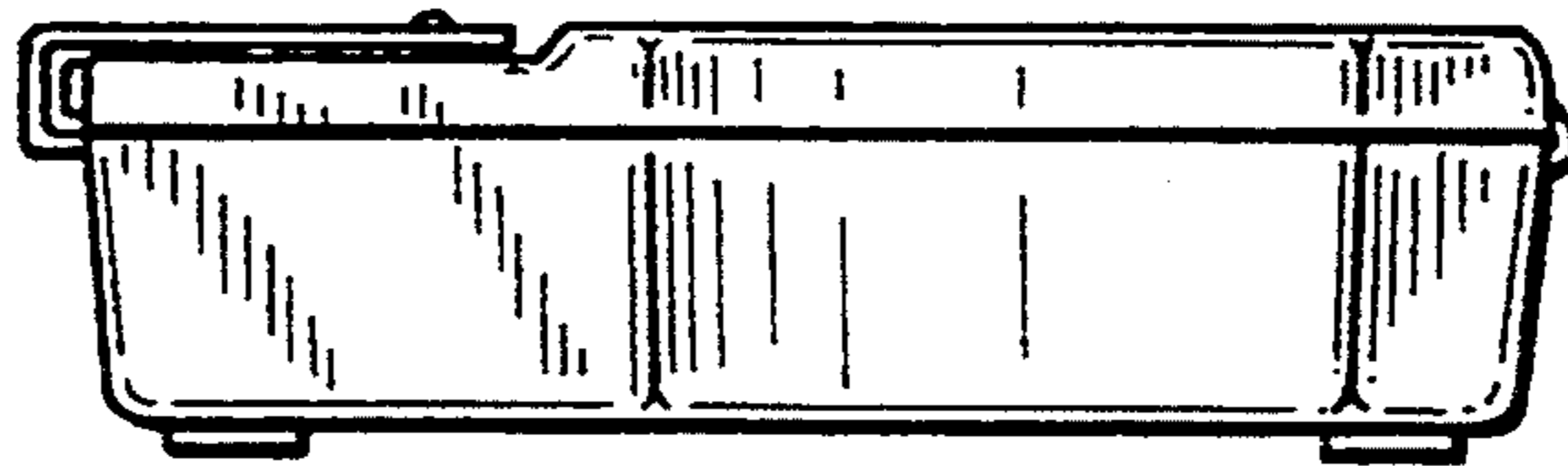


FIG-3

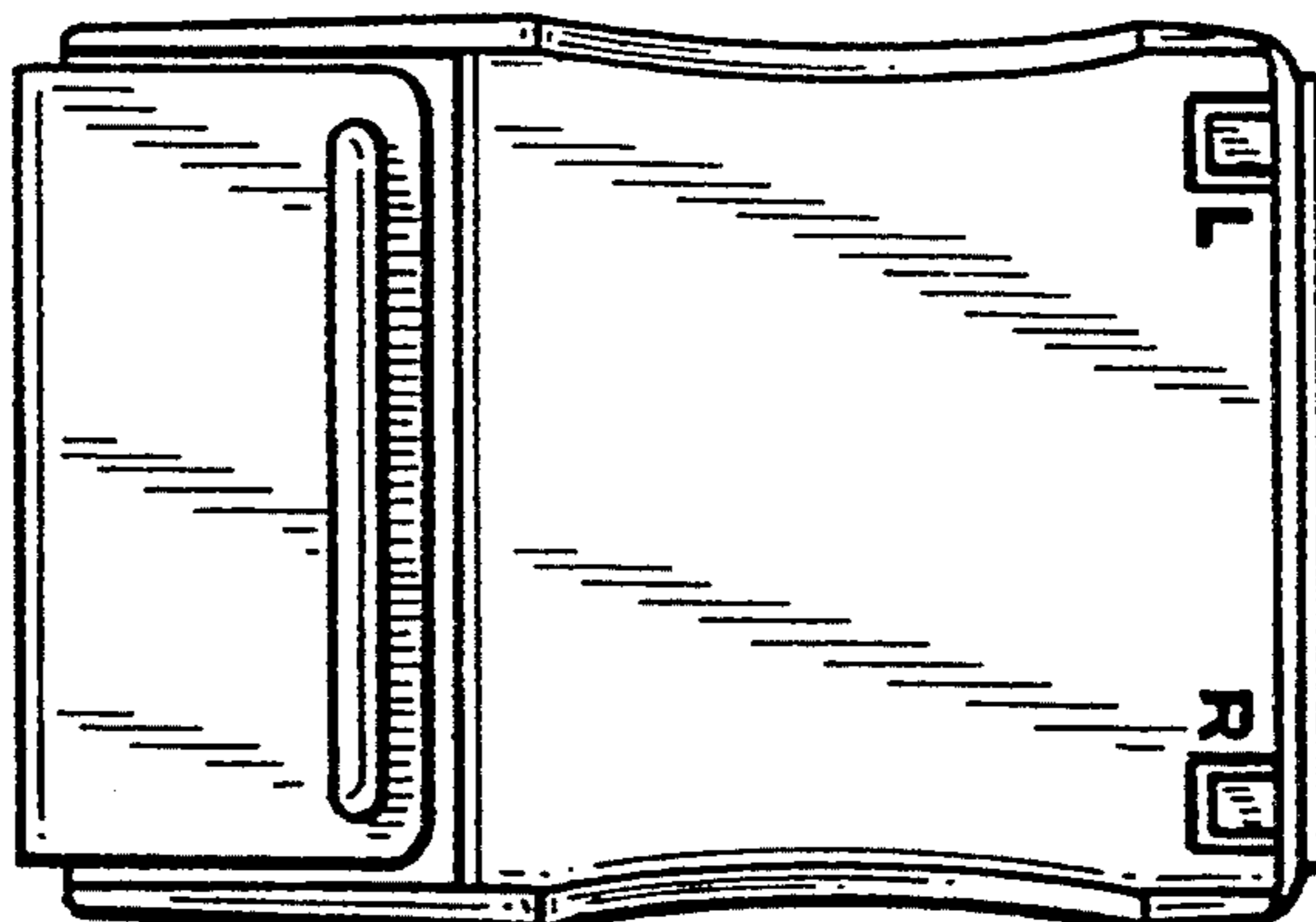


FIG-4

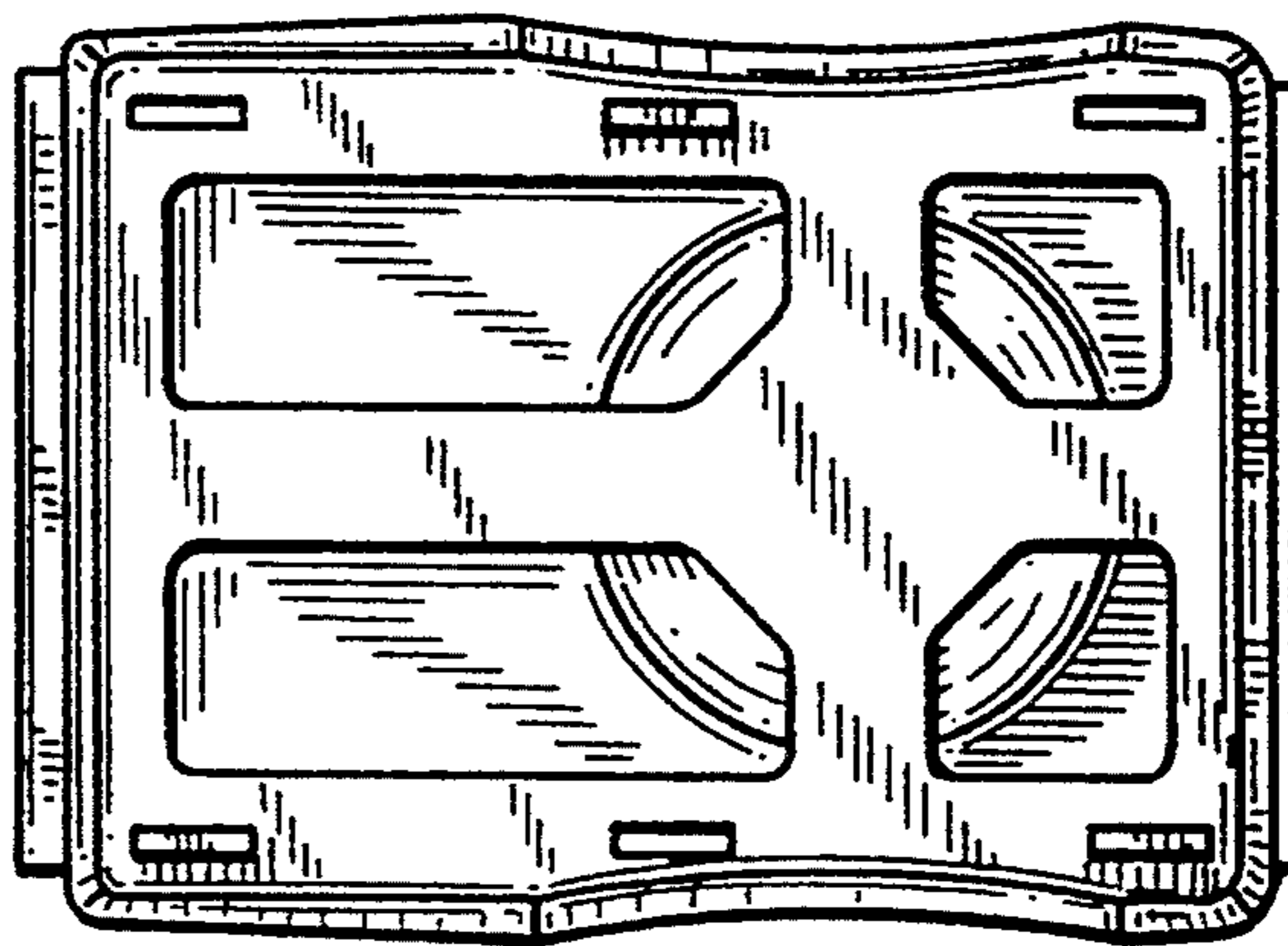


FIG-5

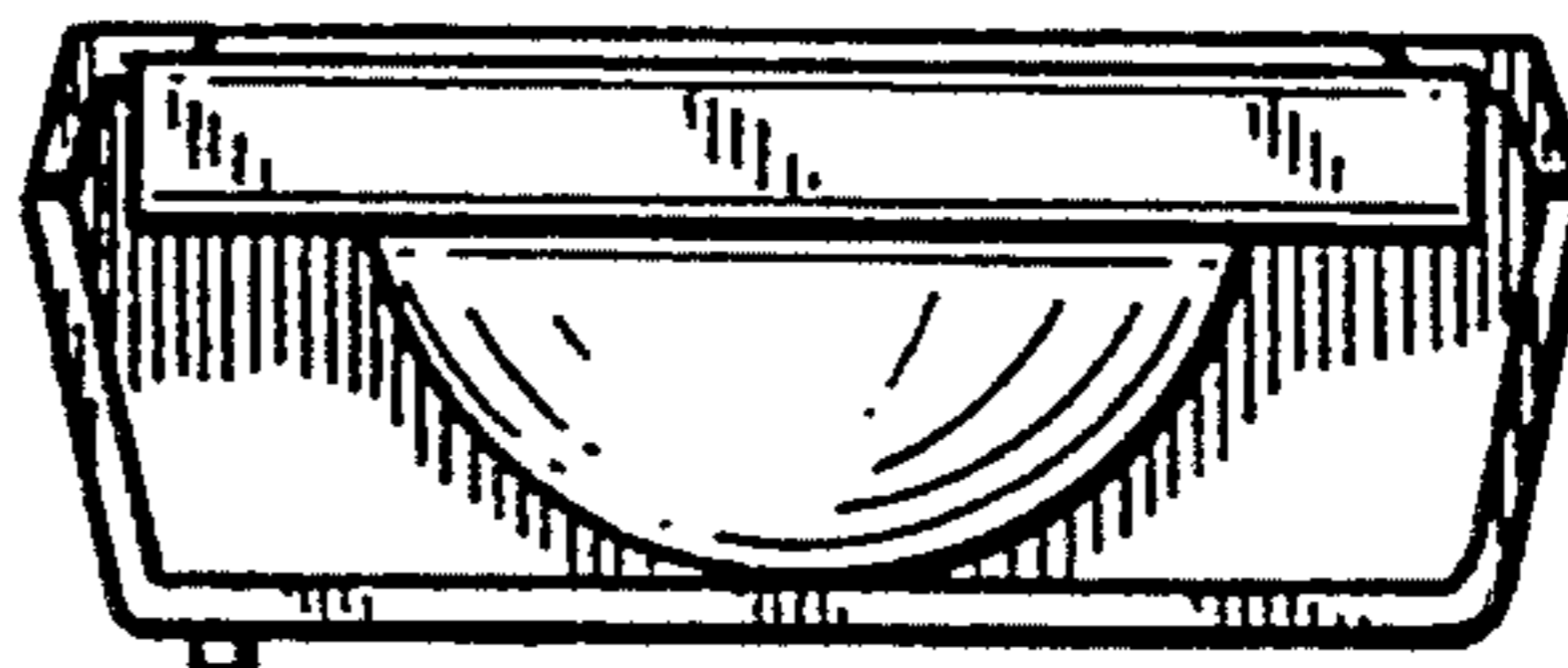


FIG-6

