



US00D357803S

# United States Patent [19]

[11] Patent Number: **Des. 357,803**

Abrams et al.

[45] Date of Patent: **\*\* May 2, 1995**

[54] **PACKAGE FOR A CONTACT LENS**

[76] Inventors: **Richard W. Abrams**, 3889 Habersham Forest Dr., Jacksonville, Fla. 32223;  
**Russell J. Crossman**, 4496 Charter Point Blvd., Jacksonville, Fla. 32211;  
**John E. Studer**, 106 Burnham Rd., Morris Plains, N.J. 07950

[\*\*] Term: **14 Years**

[21] Appl. No.: **21,644**

[22] Filed: **Apr. 21, 1994**

[52] U.S. Cl. .... **D3/264; D7/415**

[58] Field of Search ..... **D3/201, 263, 264; D9/341, 415; D16/134, 136; 206/5.1, 205, 316.1, 822**

[56] **References Cited**

**U.S. PATENT DOCUMENTS**

- D. 279,865 7/1985 McKee ..... D9/415
- D. 283,488 4/1986 Stevens ..... D9/415
- D. 286,111 10/1986 Perchak ..... D9/341

- D. 306,561 3/1990 Lee ..... D9/415
- D. 340,861 11/1993 Abelson ..... D9/415
- D. 342,025 12/1993 Abraben et al. .... D9/415
- 4,415,076 11/1983 Campbell ..... 206/5.1
- 4,691,820 9/1987 Martinez ..... 206/205
- 5,042,655 8/1991 Beldyk et al. .... 206/316.1

**FOREIGN PATENT DOCUMENTS**

- 1174762 3/1959 France ..... D9/415

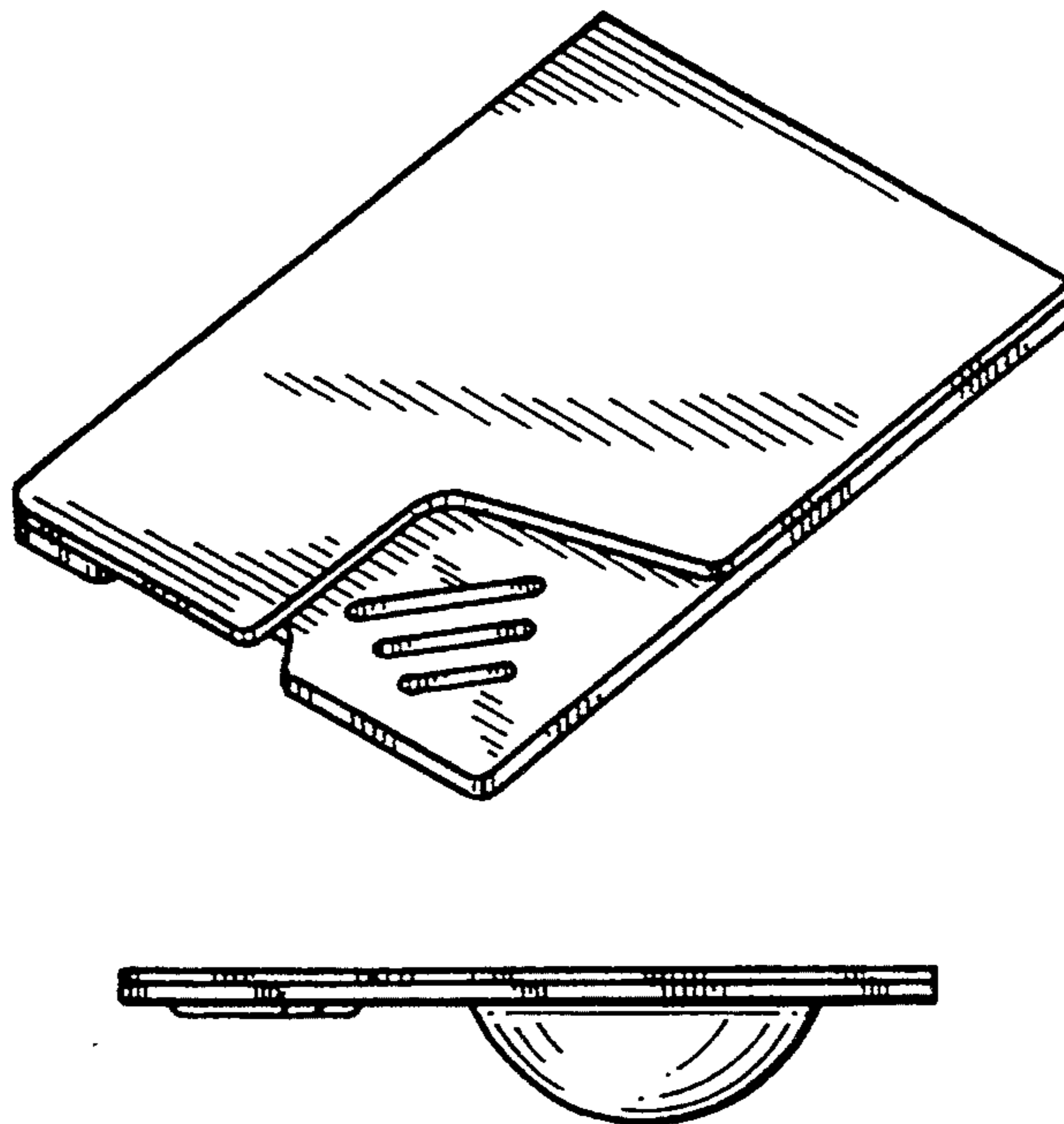
*Primary Examiner*—C. A. Murphy

[57] **CLAIM**

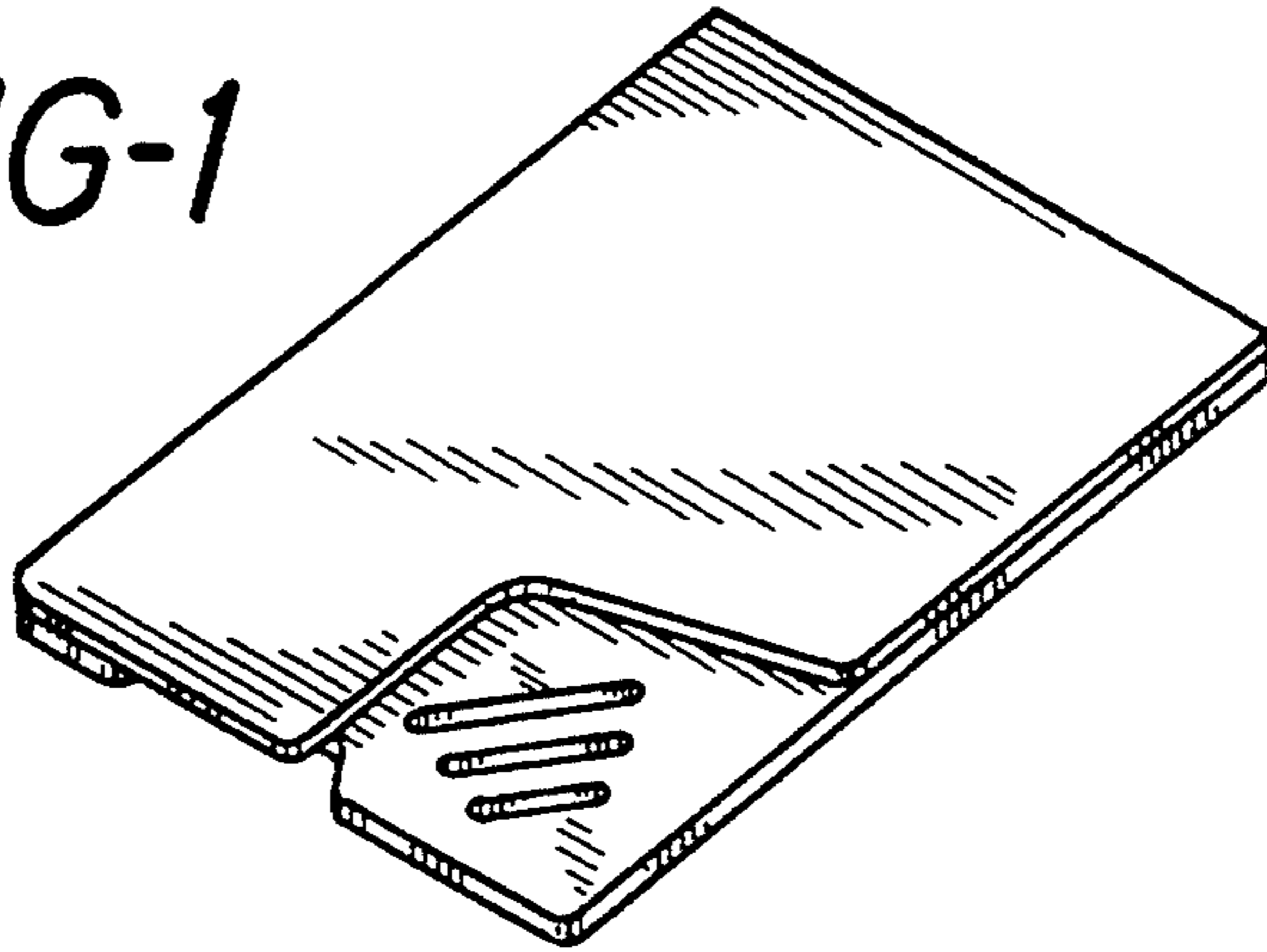
The ornamental design for a contact lens package, as shown and described.

**DESCRIPTION**

FIG. 1 is a perspective view of a contact lens package showing our new design;  
FIG. 2 is a right side elevational view thereof;  
FIG. 3 is a left side elevational view thereof;  
FIG. 4 is a top plan view thereof;  
FIG. 5 is a bottom plan view thereof;  
FIG. 6 is a front elevational view thereof; and,  
FIG. 7 is a rear elevational view thereof.



*FIG-1*



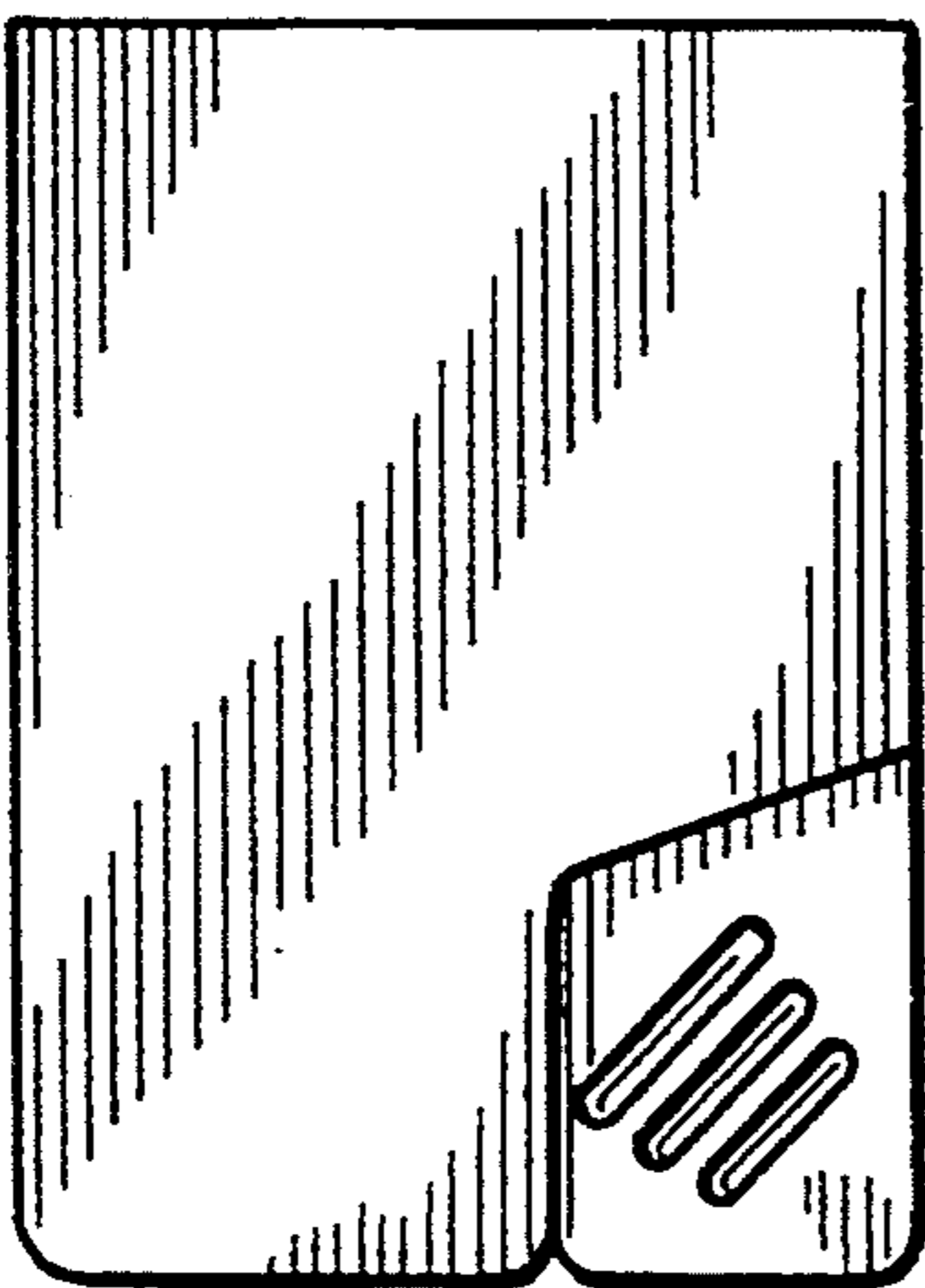
*FIG-2*



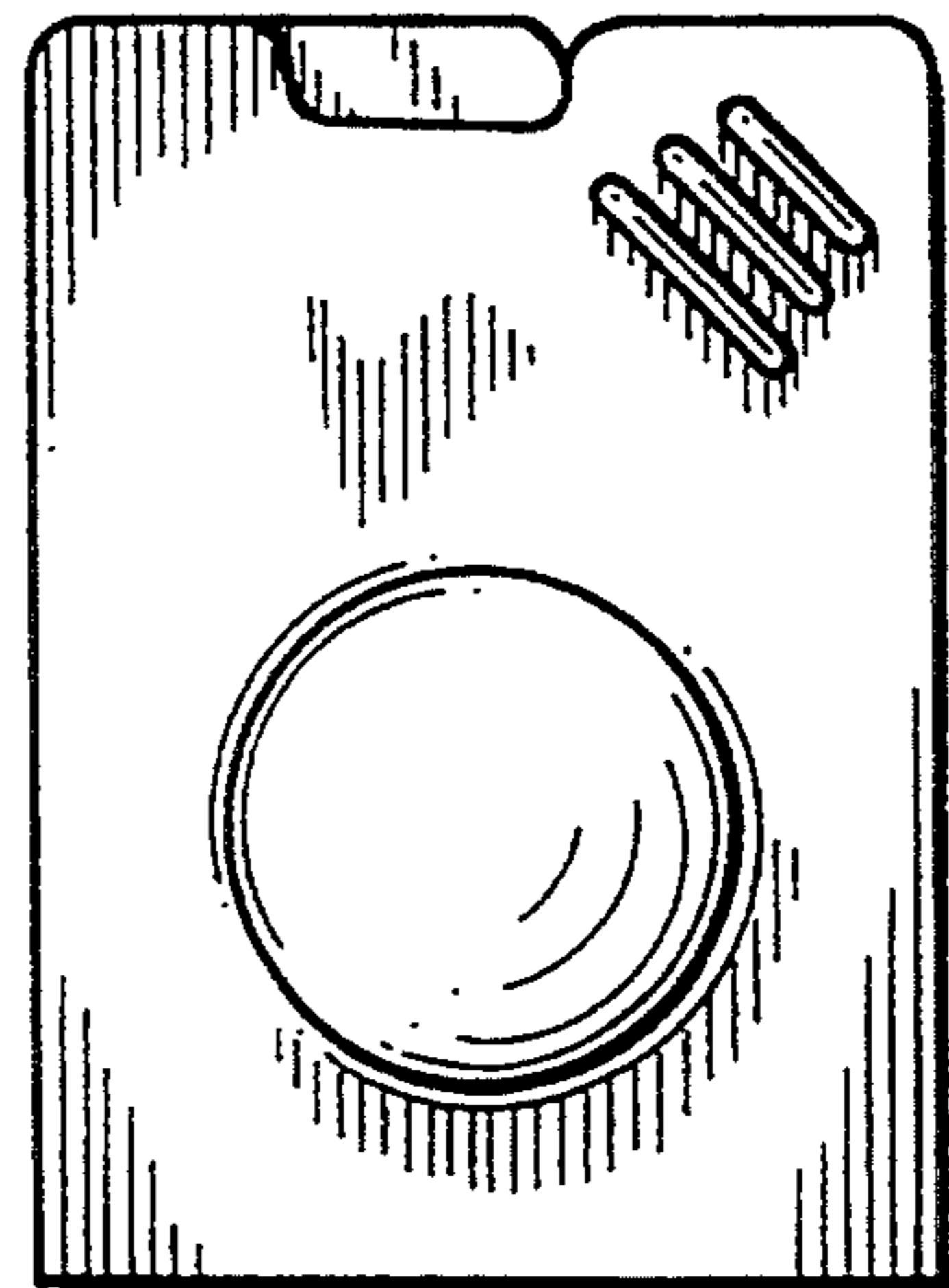
*FIG-3*



*FIG-4*



*FIG-5*



*FIG-6*



*FIG-7*

