



US00D357799S

# United States Patent [19]

[11] Patent Number: **Des. 357,799**

Wilkerson

[45] Date of Patent: **\*\* May 2, 1995**

[54] **QUILTING RING**

[76] Inventor: **Ludie M. Wilkerson, 1457 Oakley St., New York, N.Y. 10469**

[\*\*] Term: **14 Years**

[21] Appl. No.: **7,491**

[22] Filed: **Apr. 26, 1993**

[52] U.S. Cl. .... **D3/26**

[58] Field of Search ..... **D3/25, 26; 38/102.2**

[56] **References Cited**

**U.S. PATENT DOCUMENTS**

- D. 309,058 7/1990 Peters ..... D3/26
- 4,827,638 5/1989 Peters ..... D3/26 X
- 5,036,609 8/1991 McDaniel et al. .... 38/102.2

**FOREIGN PATENT DOCUMENTS**

- 12307 6/1896 Switzerland ..... 38/102.2

*Primary Examiner*—Louis S. Zarfes  
*Attorney, Agent, or Firm*—Hugh E. Smith

[57] **CLAIM**

The ornamental design for a quilting ring, as shown and described.

**DESCRIPTION**

FIG. 1 is an exploded front elevational view of a quilting ring showing my new design;  
 FIG. 2 is a rear elevational view thereof;  
 FIG. 3 is a left side elevational view thereof;  
 FIG. 4 is a right side elevational view thereof;  
 FIG. 5 is a top plan view thereof;  
 FIG. 6 is a bottom plan view thereof;  
 FIG. 7 is a partially folded and disassembled view thereof; and,  
 FIG. 8 is an assembled perspective view thereof.  
 The broken line showing of fabric in FIG. 8 is for illustrative purposes only and forms no part of the claimed design.

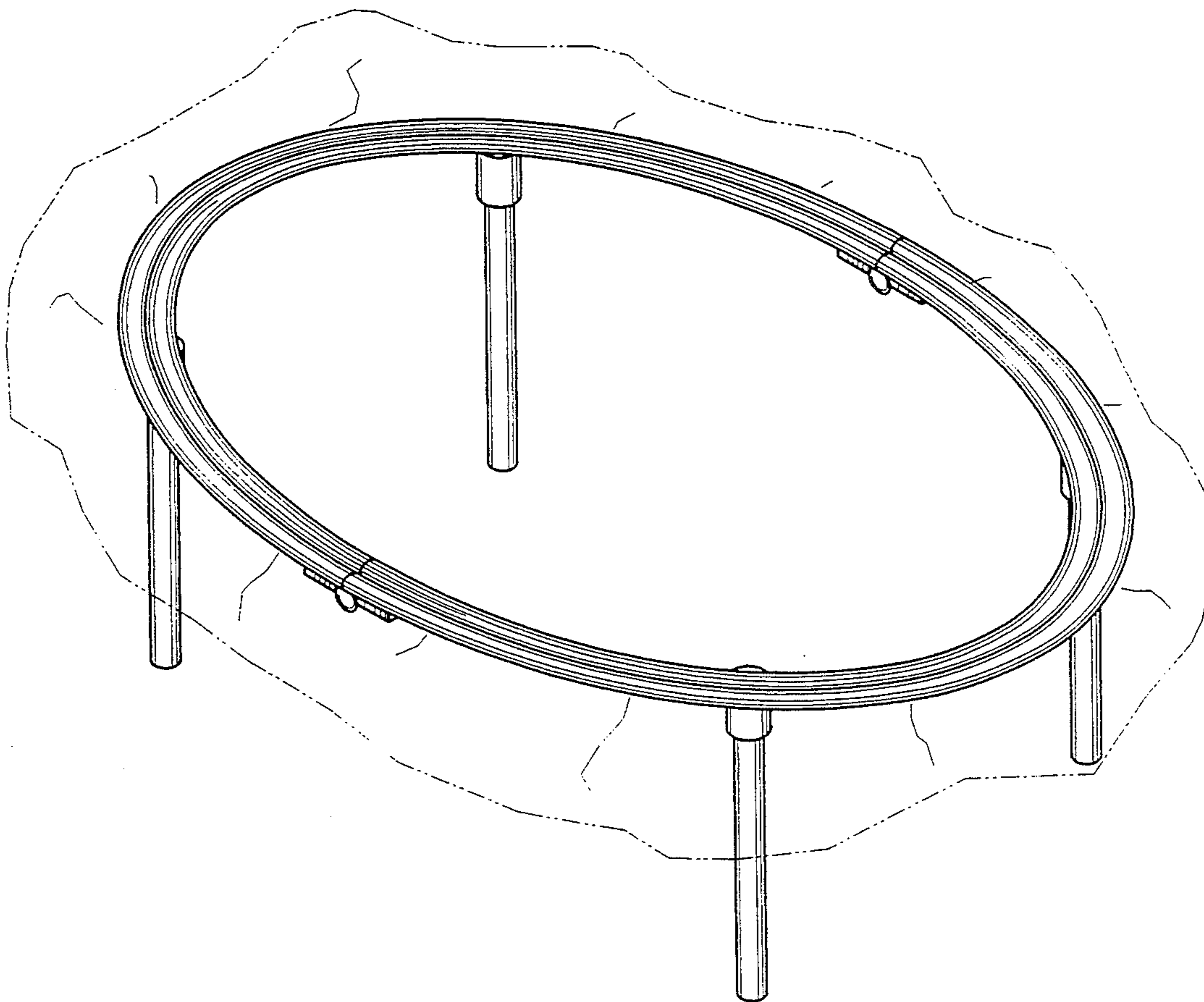


FIG. 1

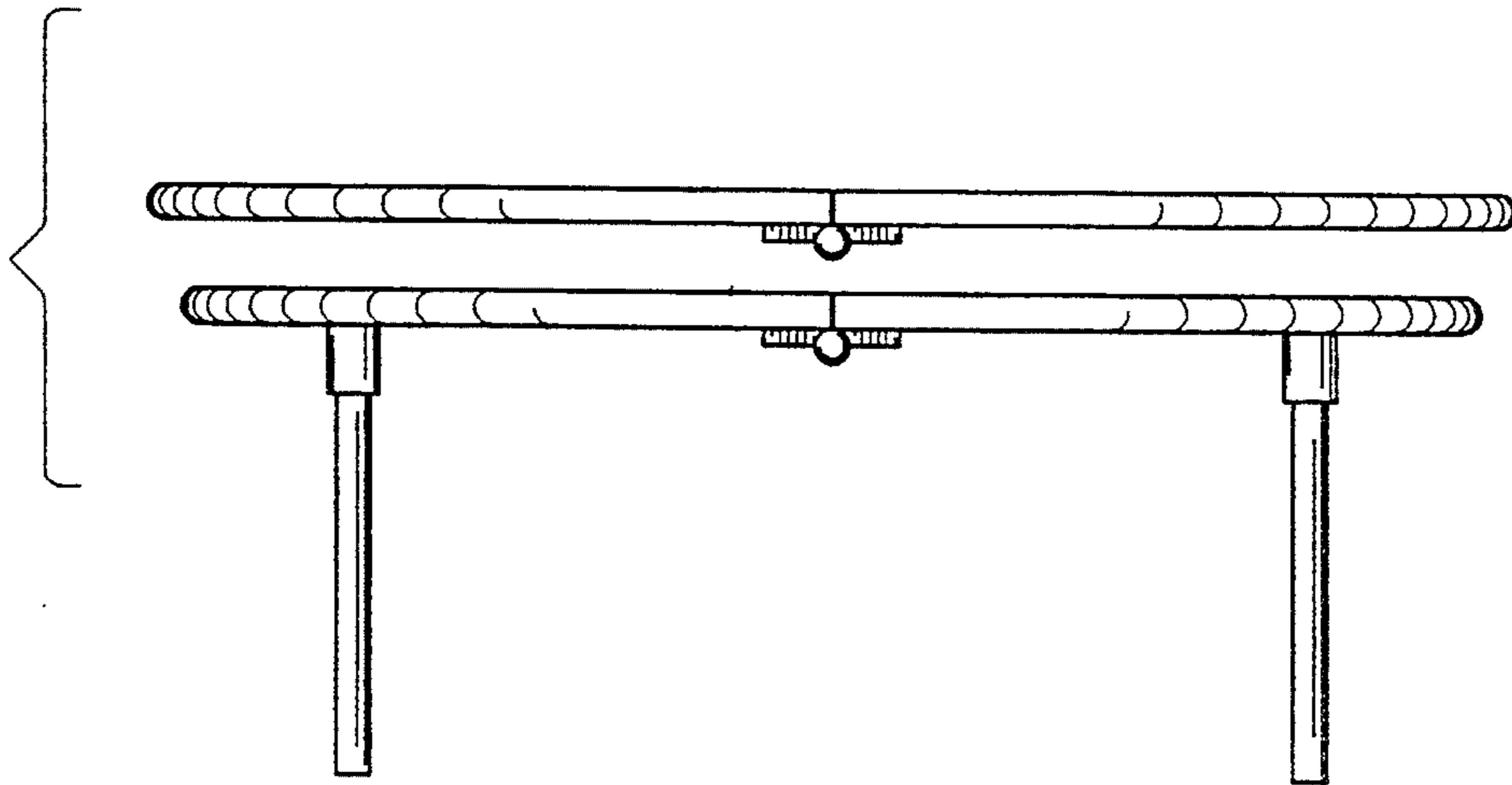


FIG. 2

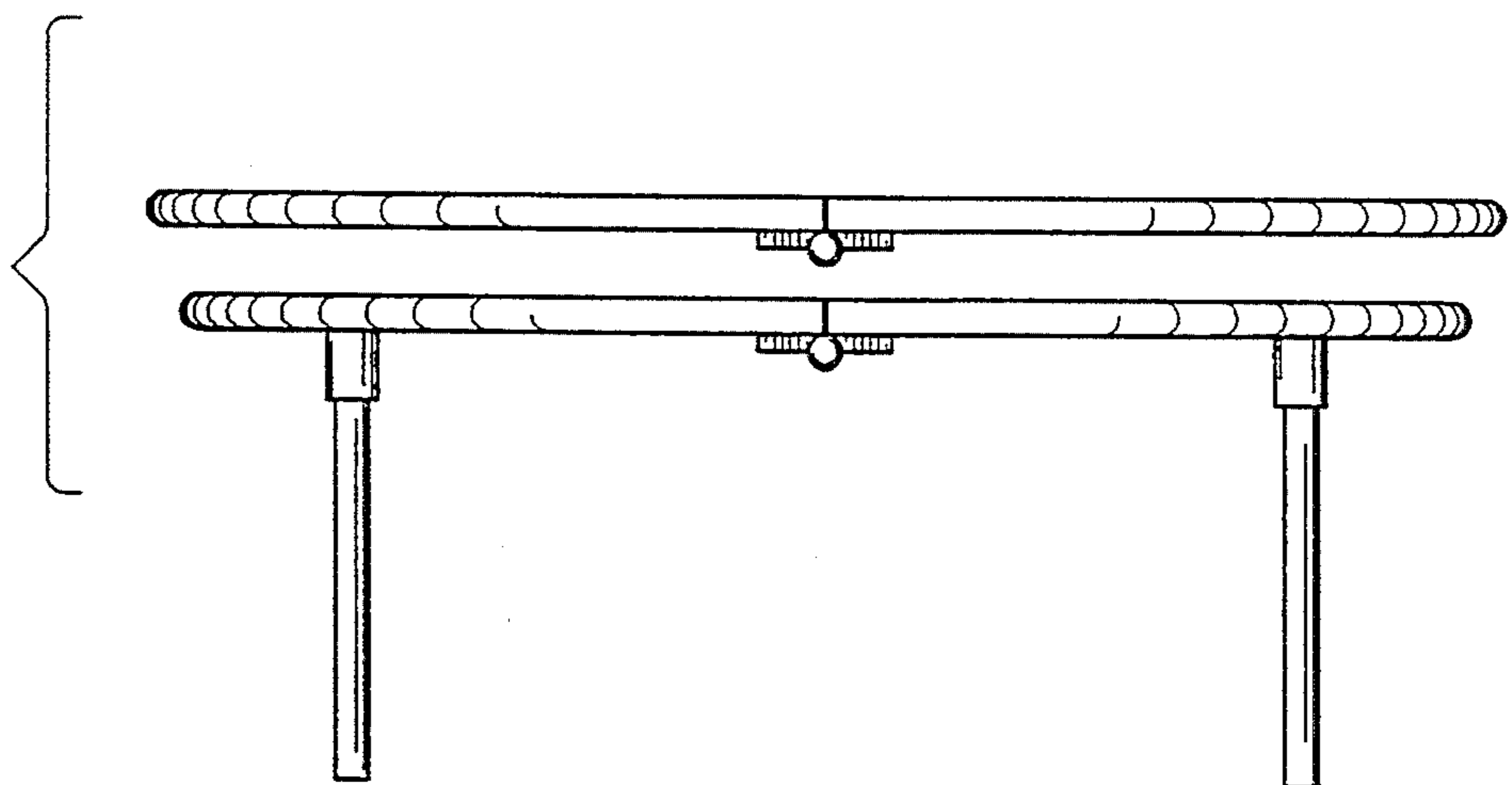


FIG. 3

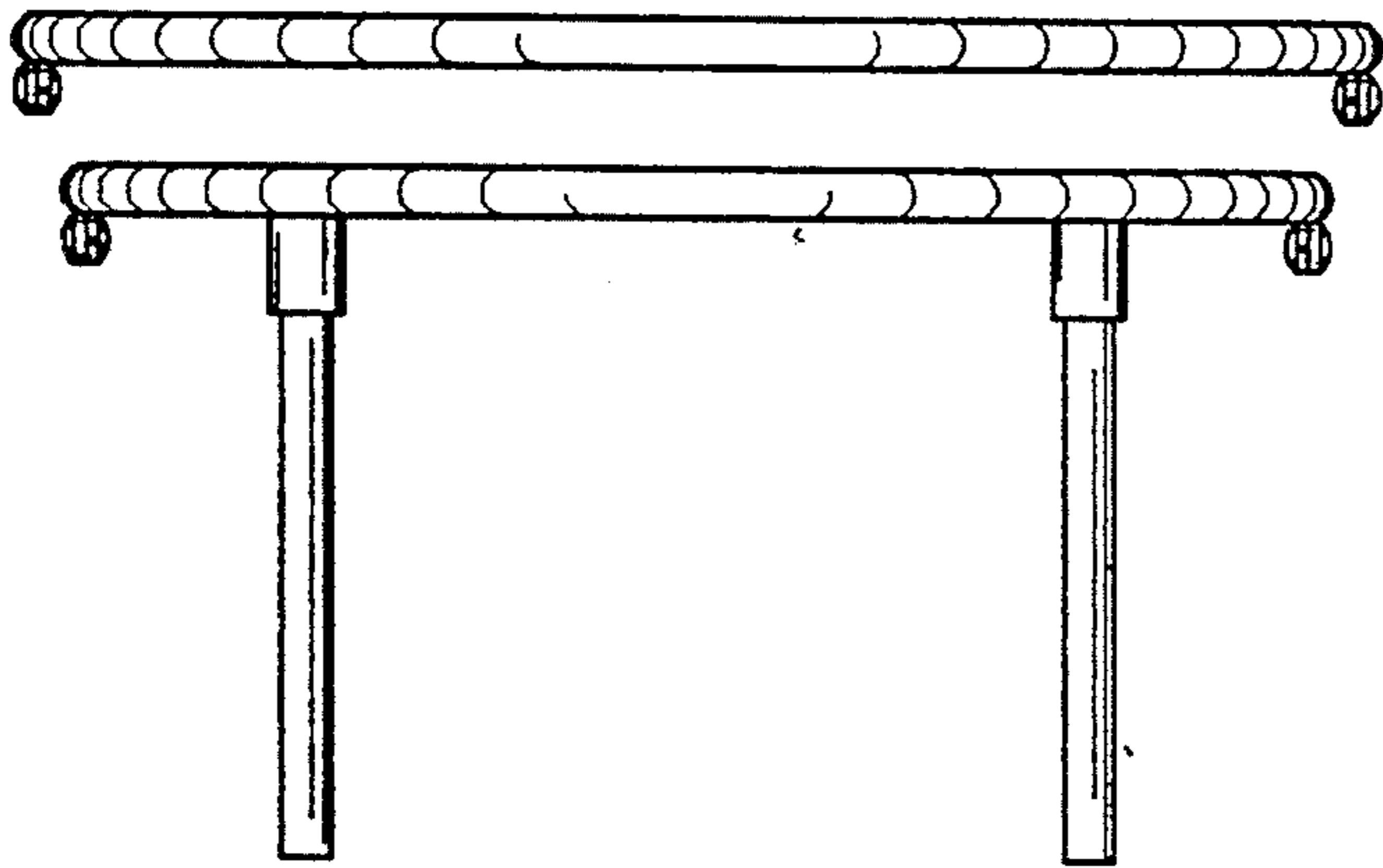


FIG. 4

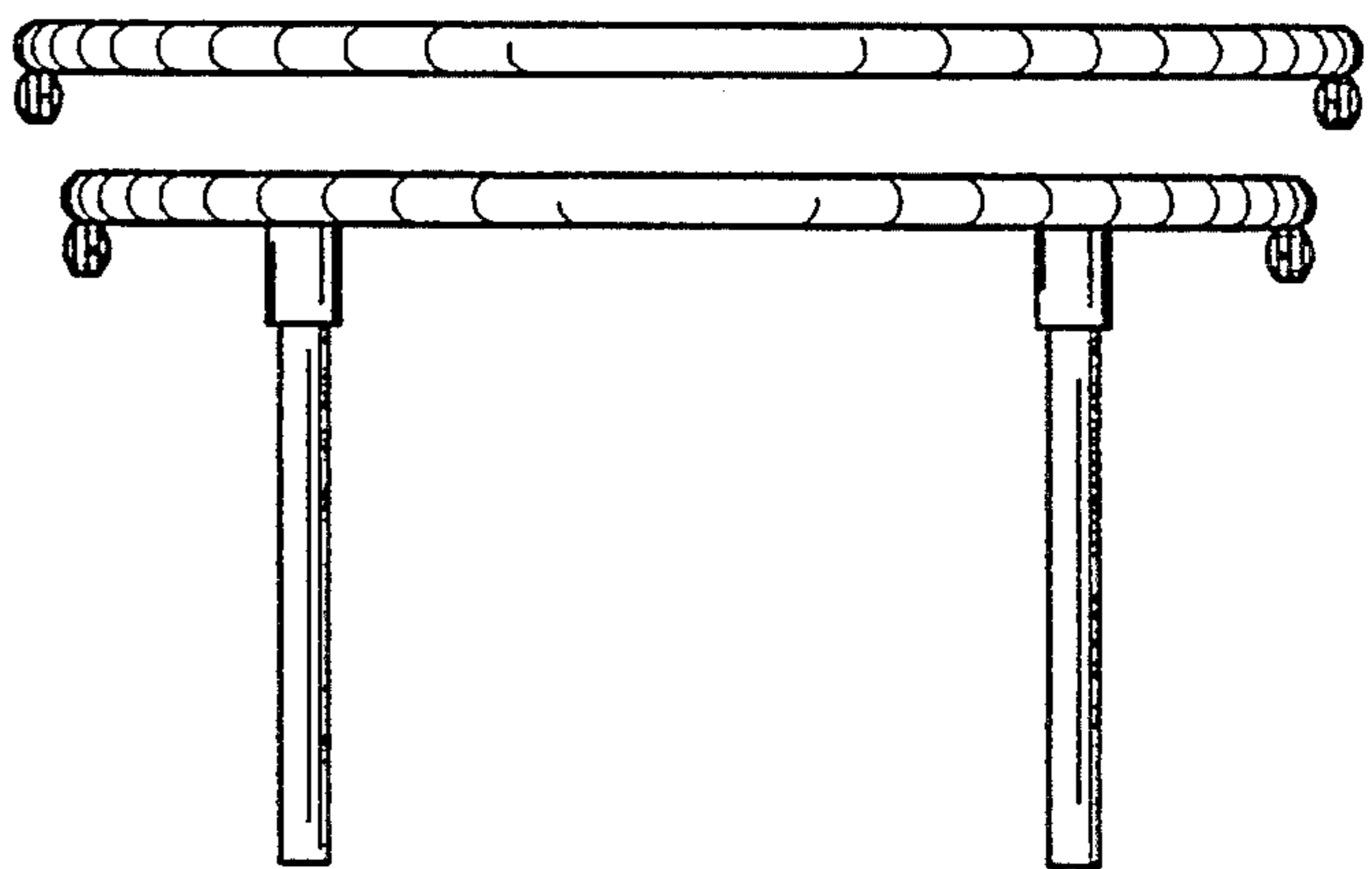


FIG. 5

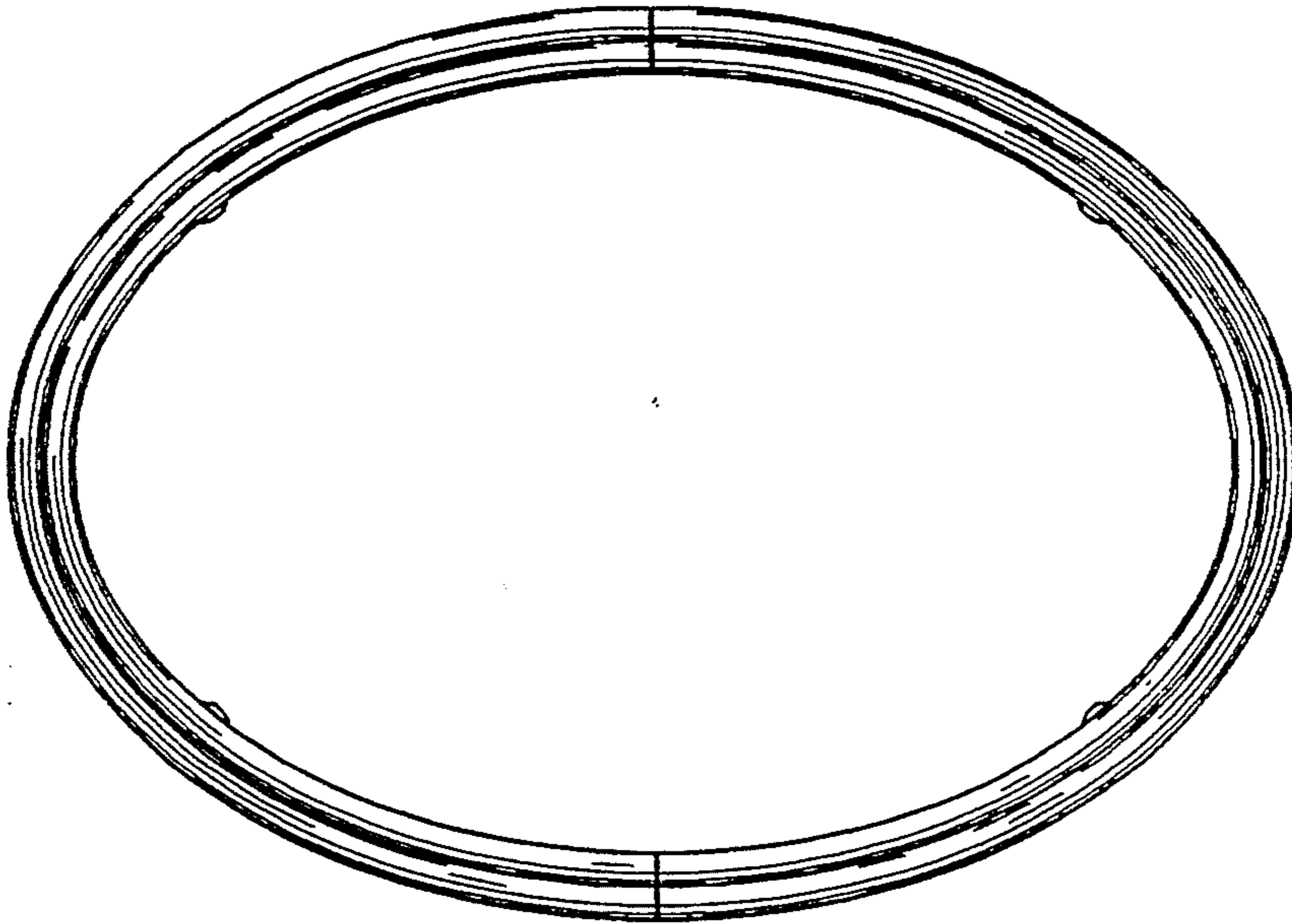


FIG. 6

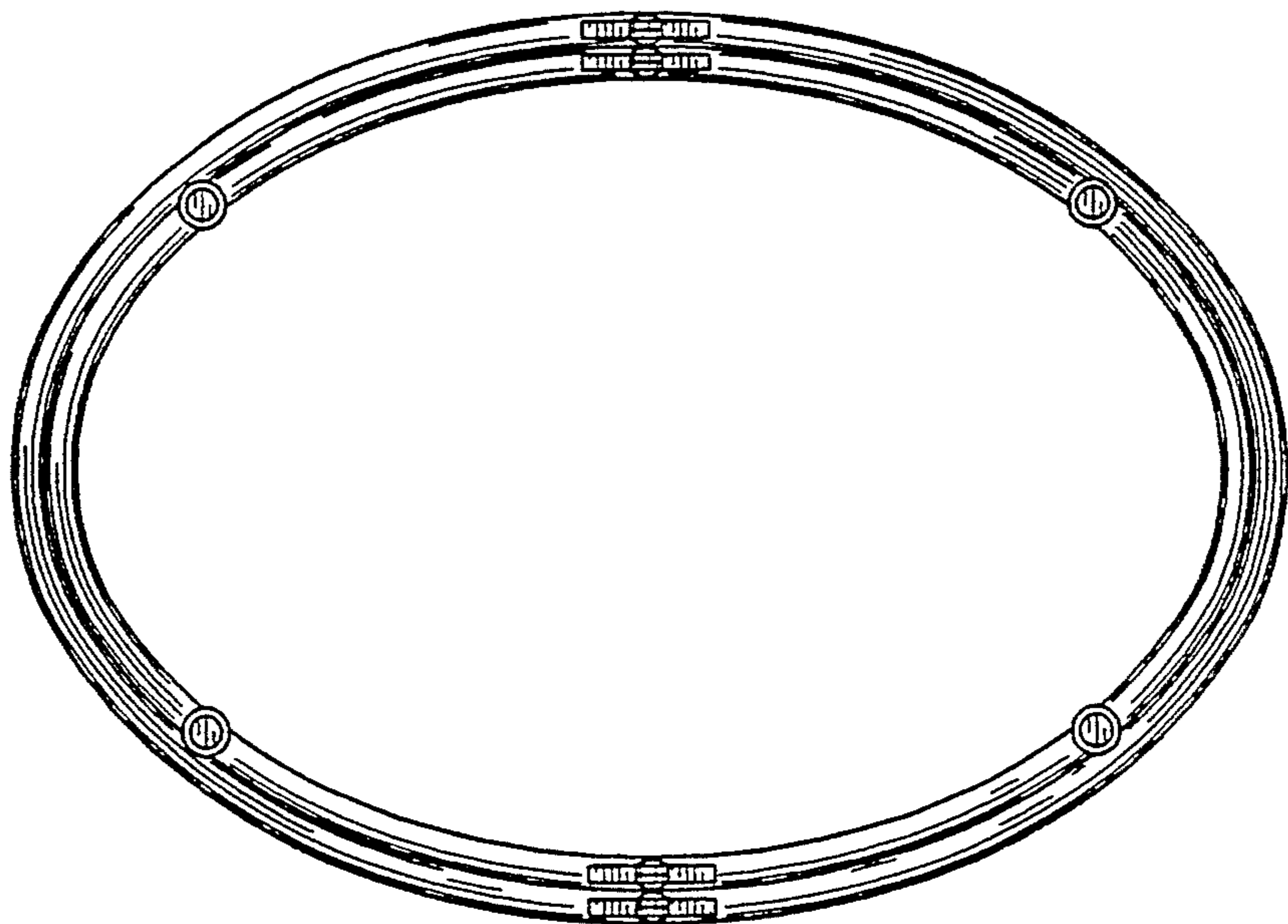


FIG. 7

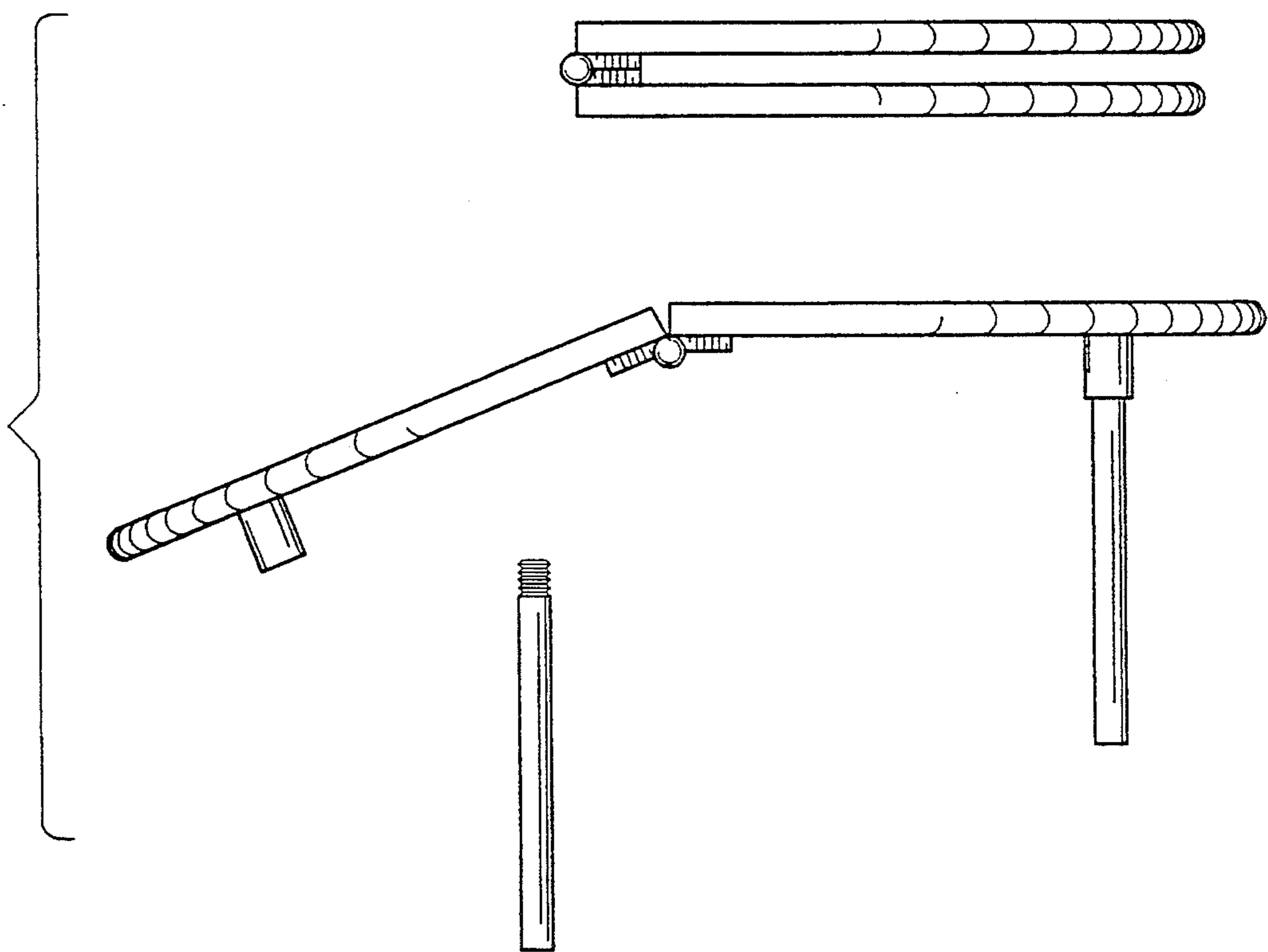




FIG. 8

