



US00D357785S

United States Patent [19]

[11] Patent Number: **Des. 357,785**

Wang

[45] Date of Patent: **** Apr. 25, 1995**

[54] **GOLF CART HANDLE**

*Attorney, Agent, or Firm—*Linval B. Castle

[76] Inventor: **Li-Kuo J. Wang**, 531 - 12th Ave., San Francisco, Calif. 94118

[57] **CLAIM**

The ornamental design for a golf cart handle, as shown and described.

[**] Term: **14 Years**

[21] Appl. No.: **20,577**

DESCRIPTION

[22] Filed: **Mar. 28, 1994**

FIG. 1 is a top view of a golf cart handle illustrating my new design;

[52] U.S. Cl. **D34/27; D34/15**

FIG. 2 is a bottom view thereof showing extra golf ball holders each side of the shaft position;

[58] Field of Search **D34/12, 15, 27; 280/DIG. 5, DIG. 6, 646; 294/57**

FIG. 3 is a side view thereof, the opposite side being a mirror image thereof, and is shown with the score card cover opened and with an attachable cup holder;

[56] **References Cited**

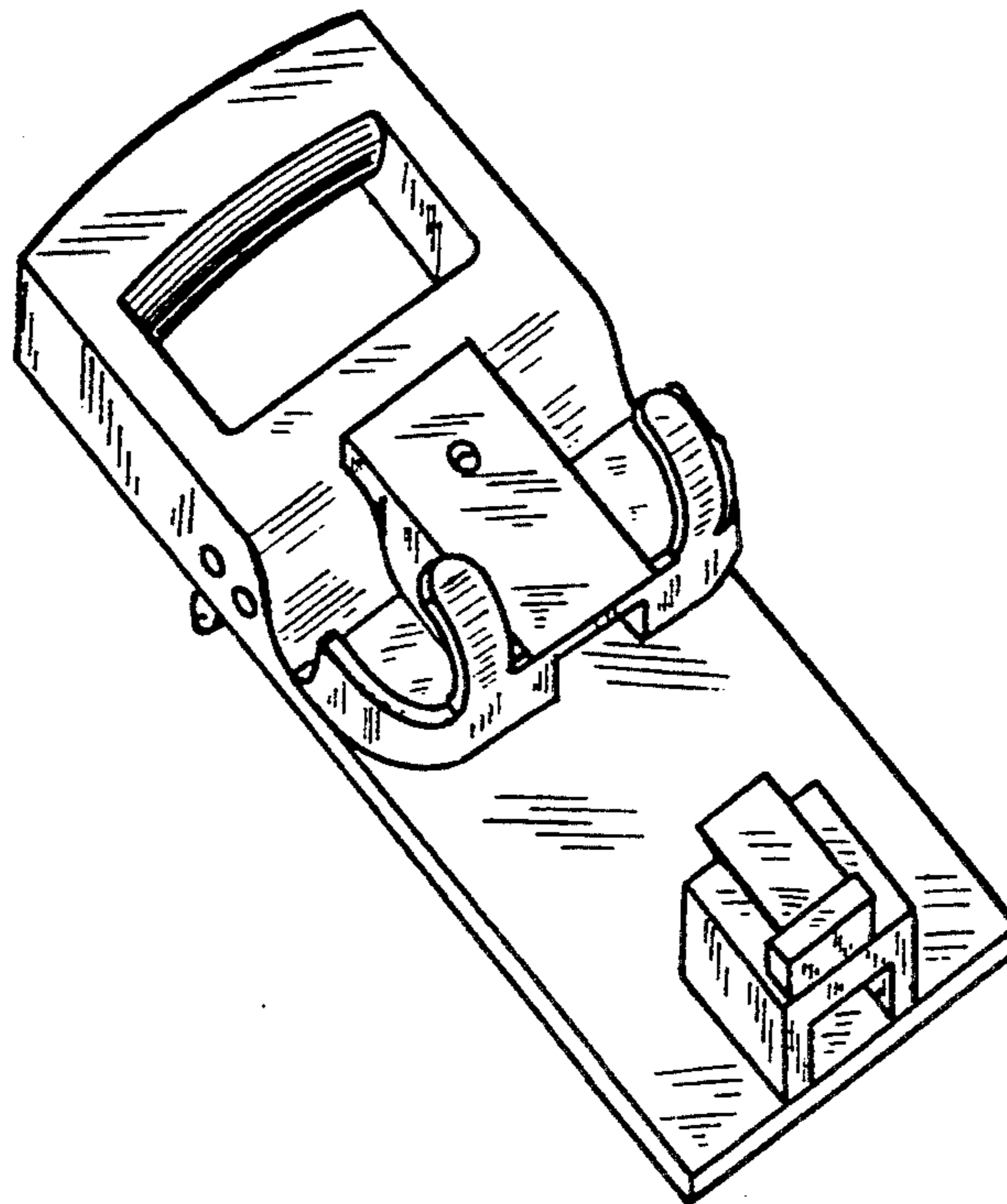
U.S. PATENT DOCUMENTS

- D. 331,652 12/1992 Wu D34/27
- D. 339,892 9/1993 Wu D34/27

FIG. 4 is an end view thereof, shown with the attachable cup holder; and,

*Primary Examiner—*Kay H. Chin

FIG. 5 is a perspective view of the golf cart holder illustrating the bottom thereof.



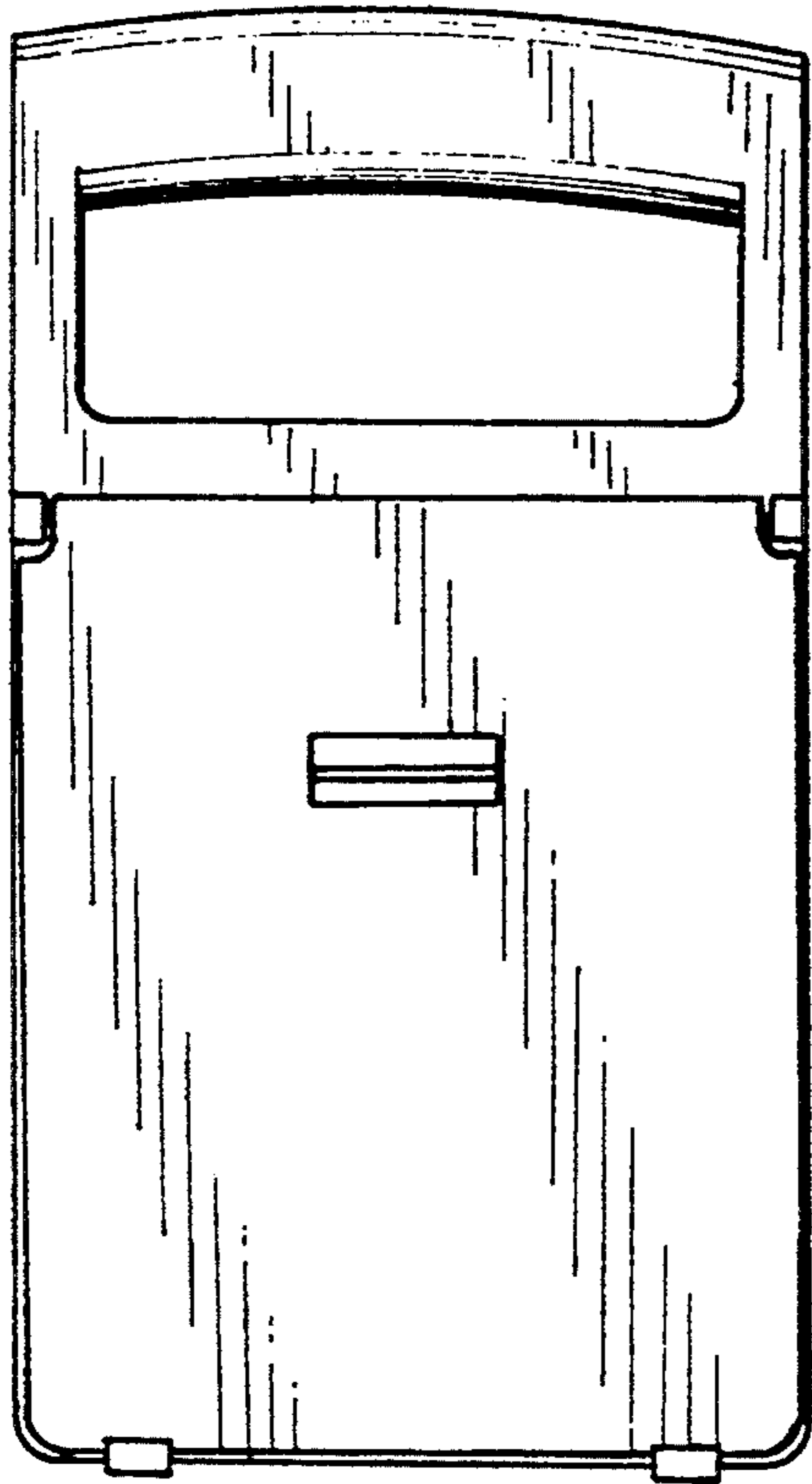


FIG. 1

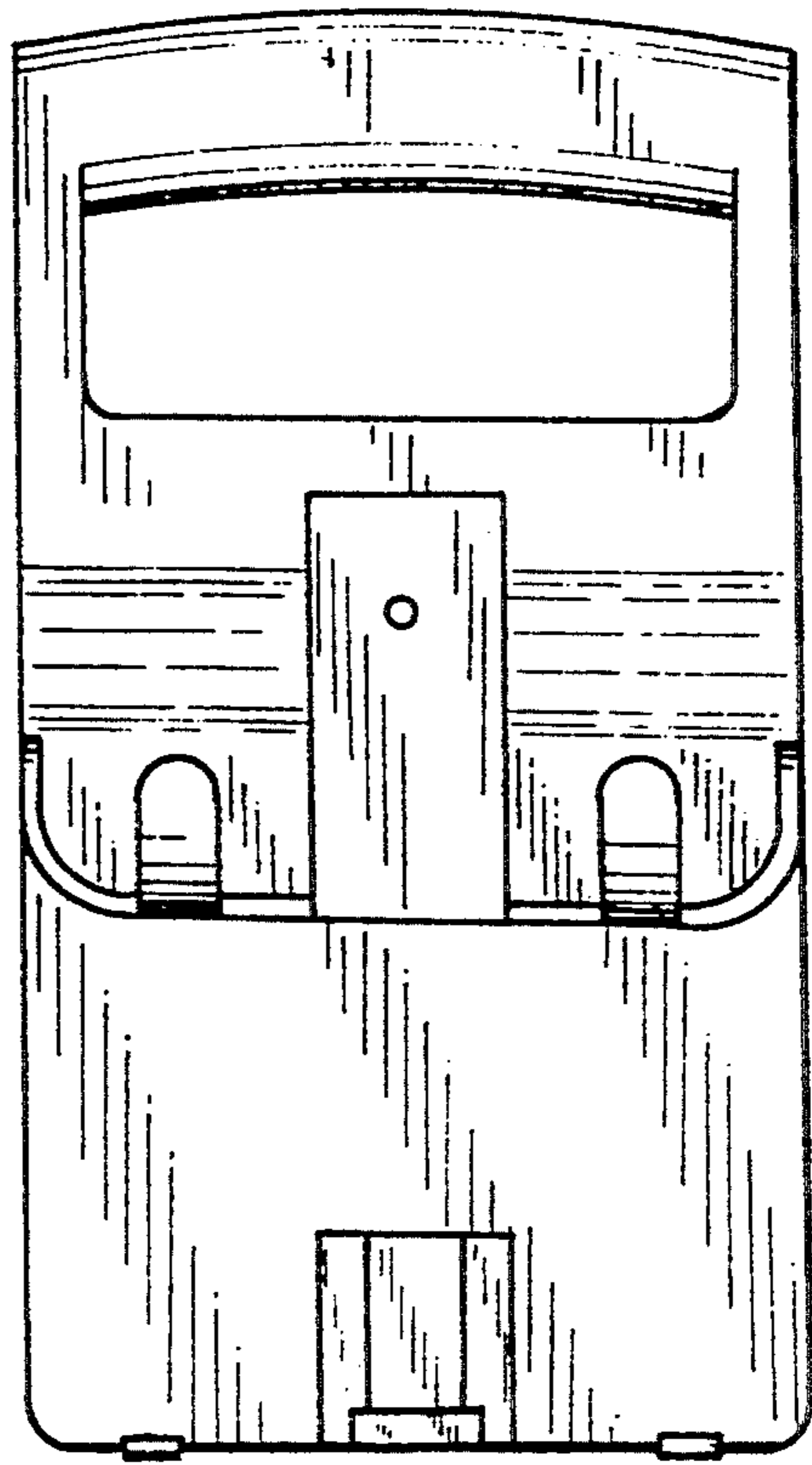
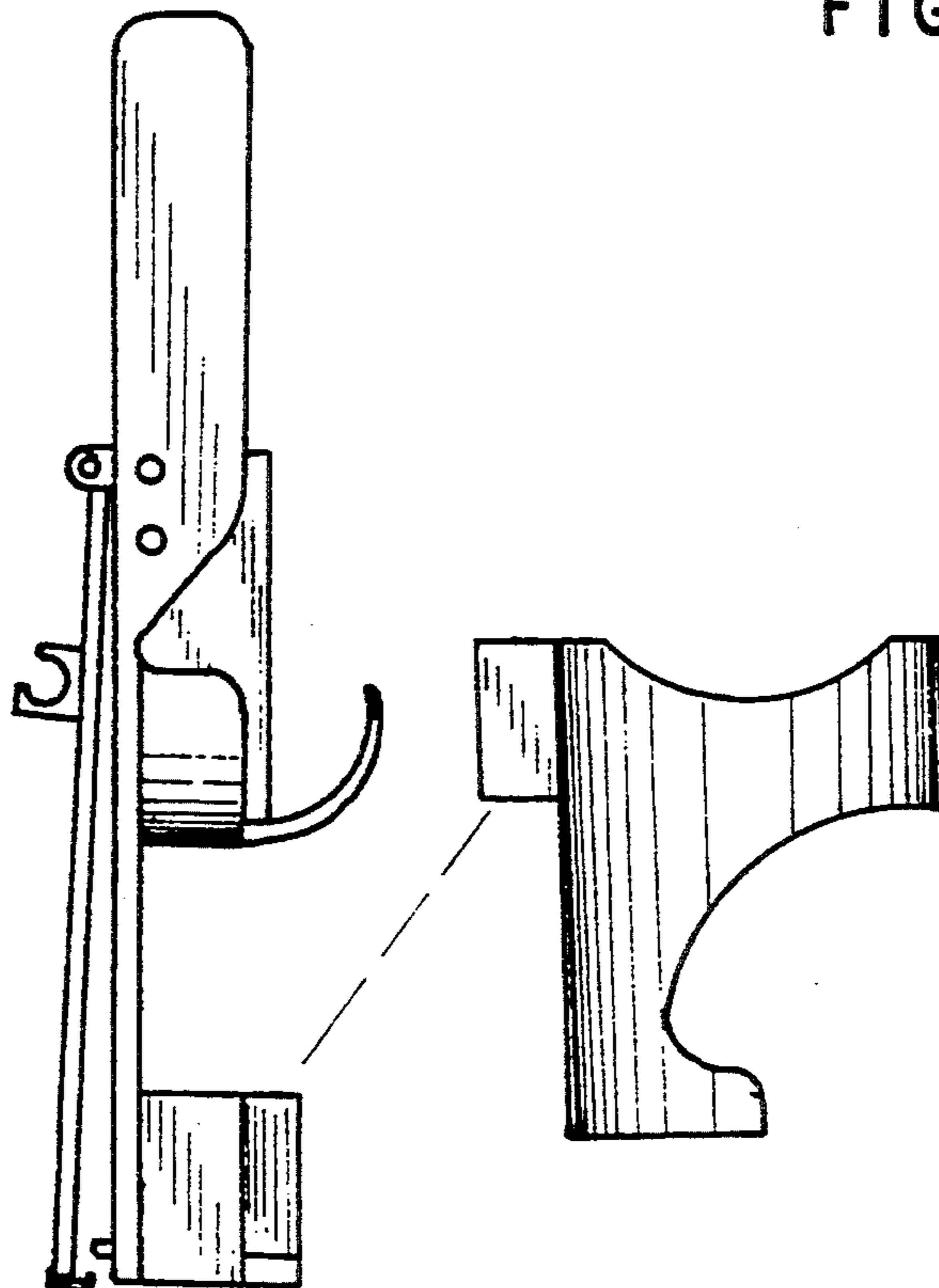


FIG. 2

FIG. 3



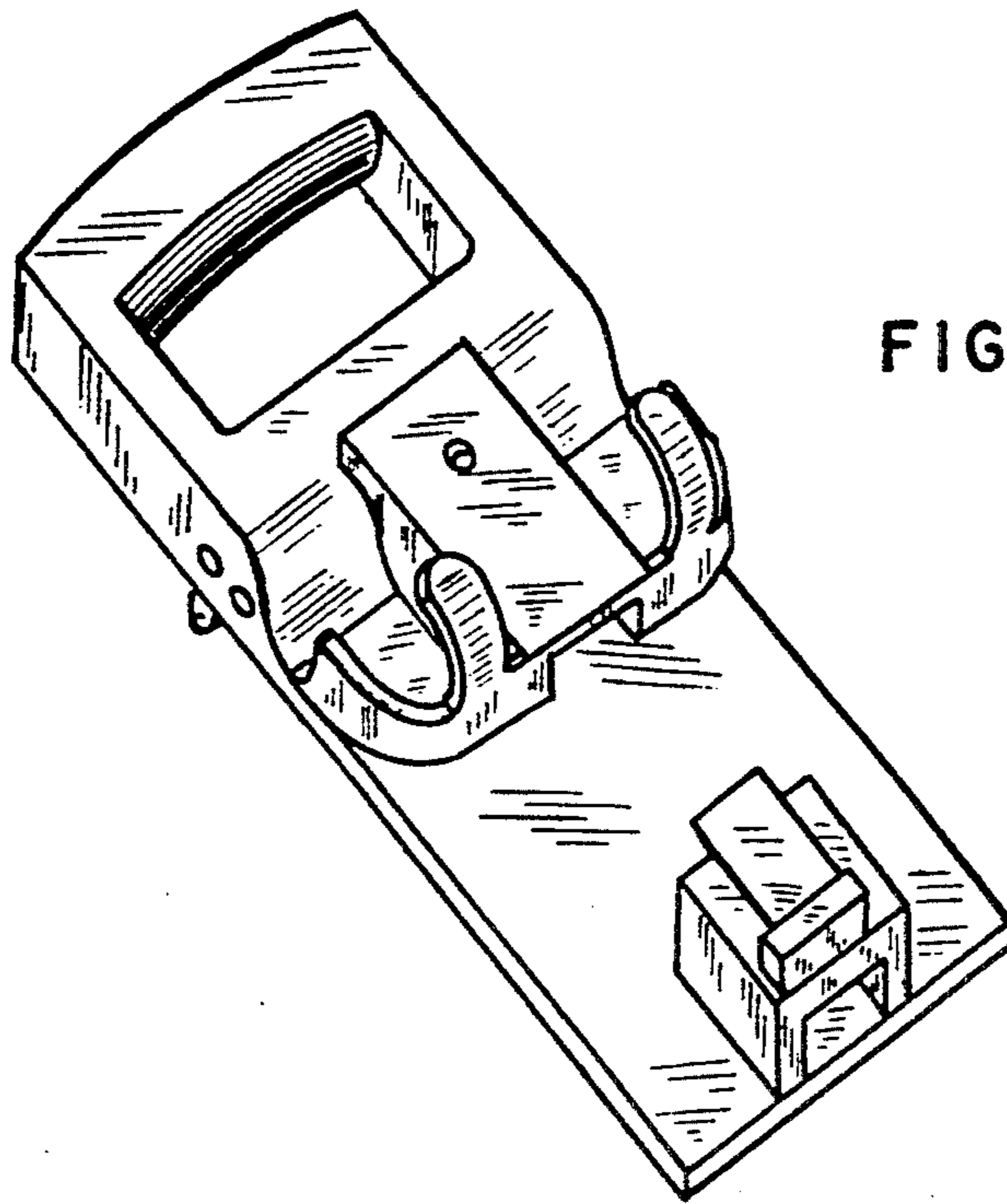


FIG. 5

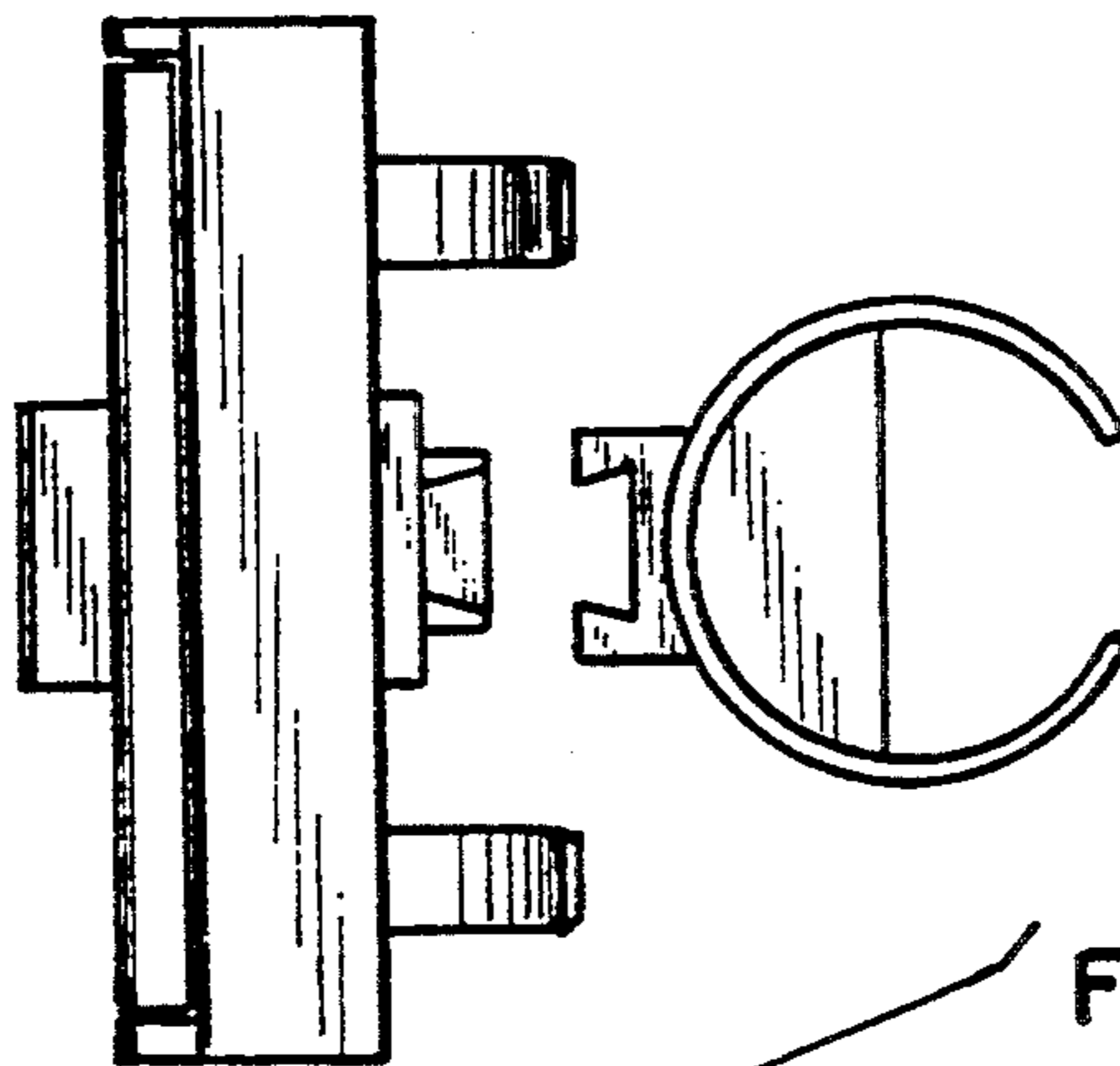


FIG. 4