



US00D357784S

United States Patent [19]

[11] Patent Number: **Des. 357,784**

Ince

[45] Date of Patent: **** Apr. 25, 1995**

[54] **SHOPPING CART HANDLE COVER**

Attorney, Agent, or Firm—Herbert C. Schulze

[76] Inventor: **Patricia A. Ince**, 10756 Blueberry Rd., Truckee, Calif. 96161

[57] **CLAIM**

[**] Term: **14 Years**

The ornamental design for a shopping cart handle cover, as shown and described.

[21] Appl. No.: **20,157**

DESCRIPTION

[22] Filed: **Mar. 21, 1994**

[52] U.S. Cl. **D34/27**

[58] Field of Search **D34/27; 280/33.992; D6/607; 224/42.46 R, 42.45 R, 275; 297/229**

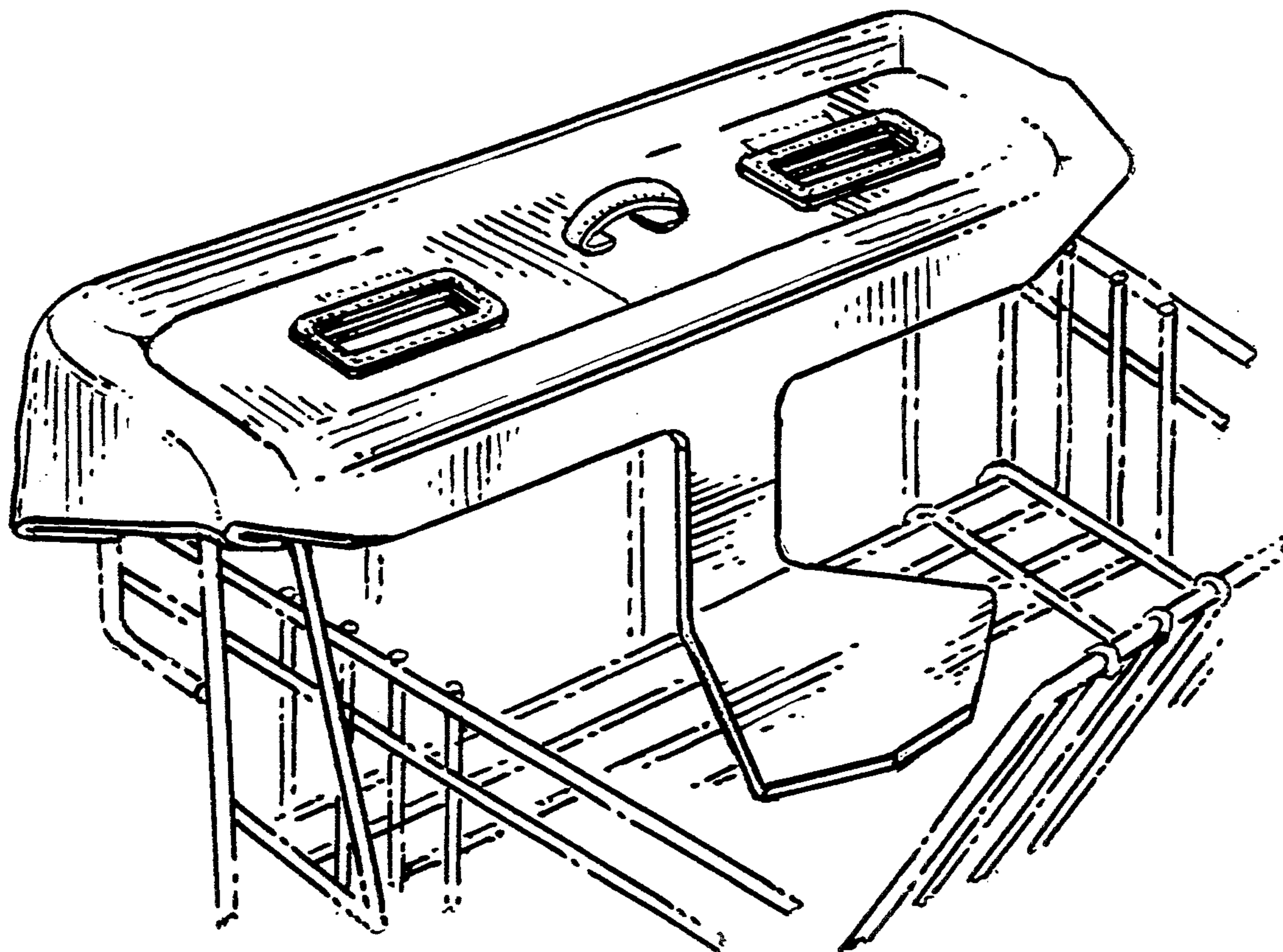
FIG. 1 is a top plan elevation of the shopping cart handle cover embodying my new design; FIG. 2 is a front elevation thereof; FIG. 3 is a left side elevation thereof; FIG. 4 is a right side elevation thereof; FIG. 5 is a rear elevation thereof; FIG. 6 is a bottom plan thereof; and, FIG. 7 is a perspective thereof showing its positioning on a shopping cart and handle which is shown in phantom. The shopping cart and handle are not any part of the design.

[56] **References Cited**

U.S. PATENT DOCUMENTS

D. 328,812 8/1992 Pritchett **D34/27**
4,805,937 2/1989 Boucher et al. **280/33.992**

Primary Examiner—Kay H. Chin



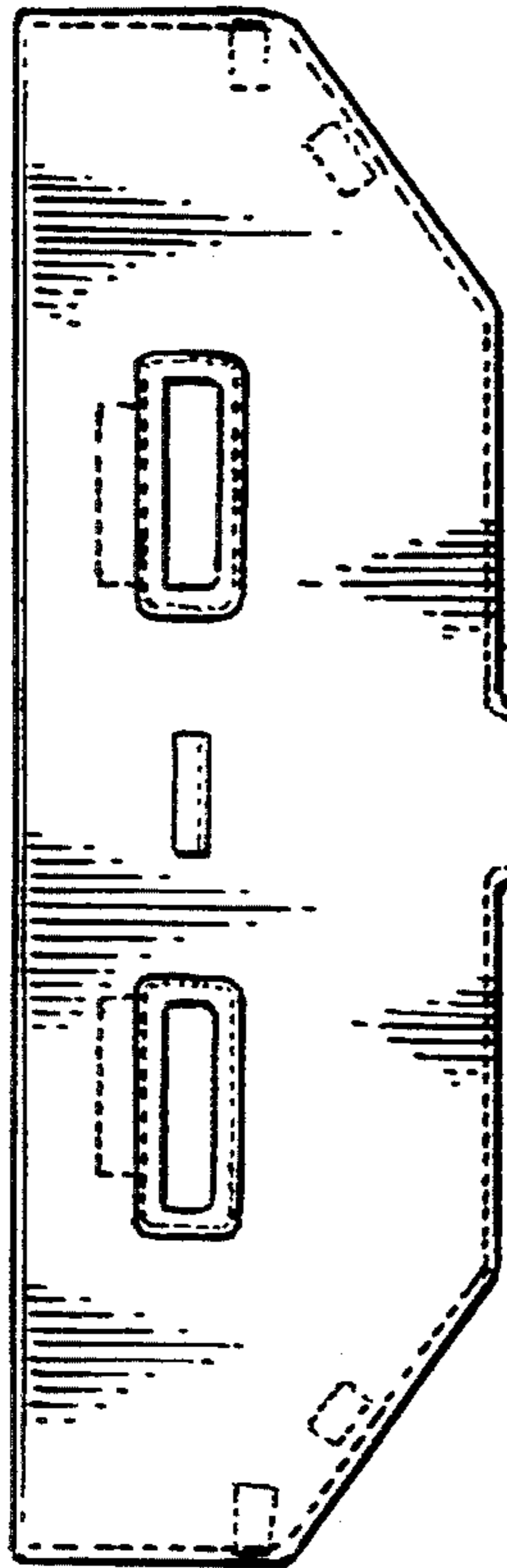


FIG. 1.



FIG. 2.

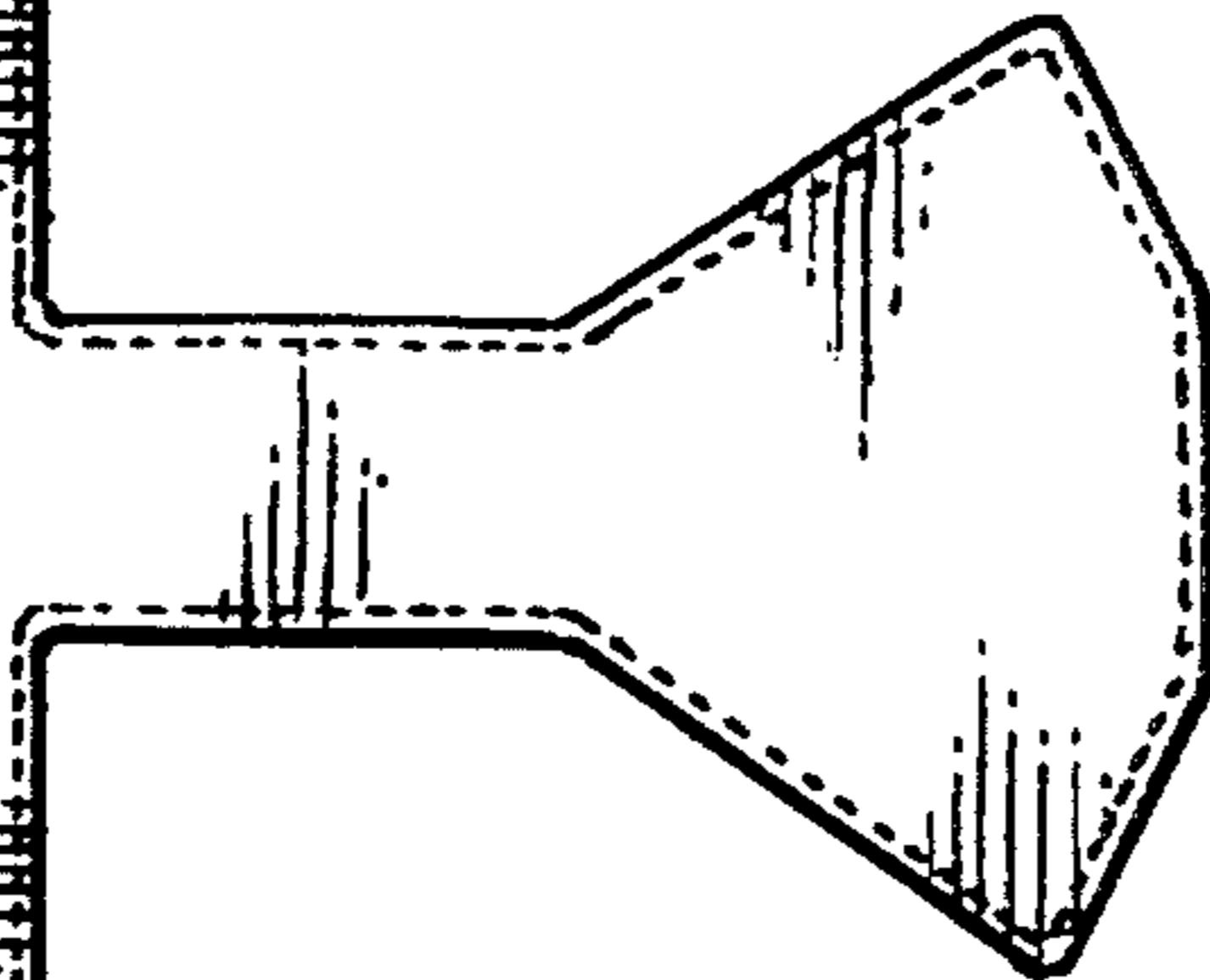


FIG. 3.

FIG. 4.

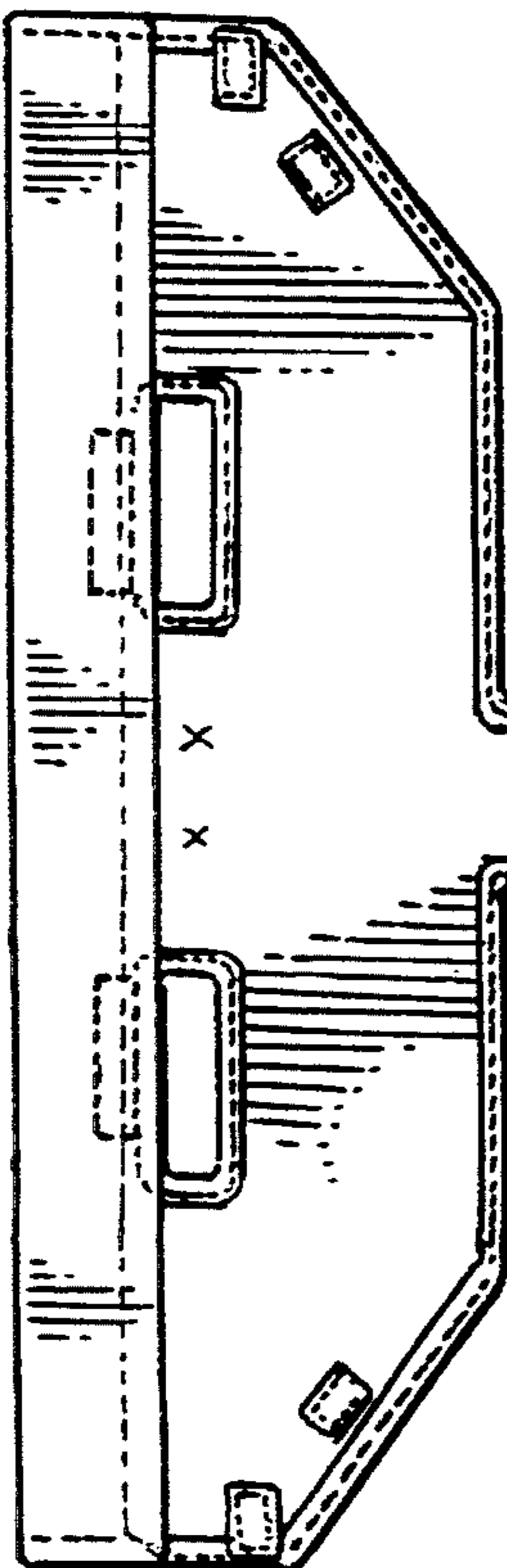


FIG. 6.

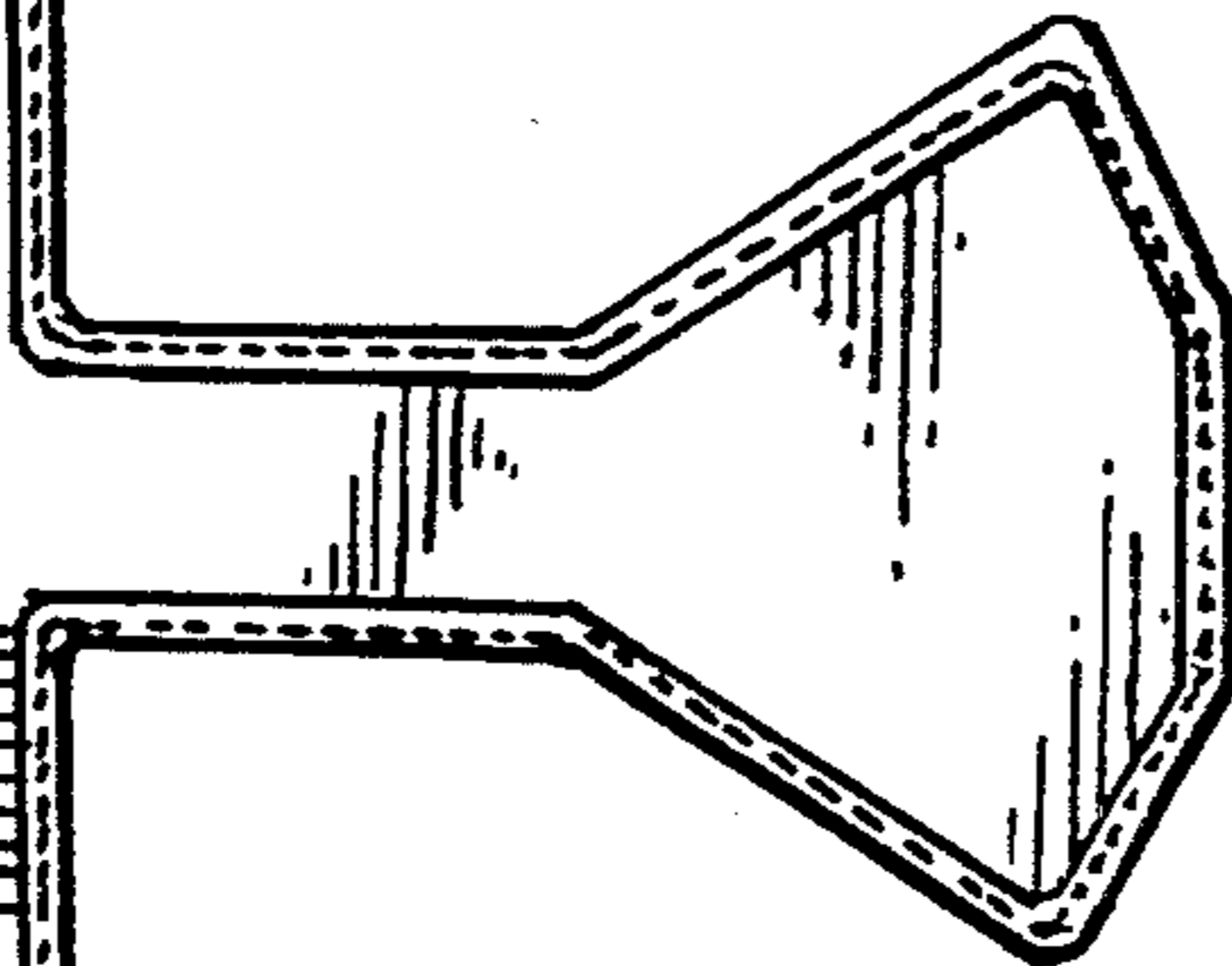


FIG. 5.



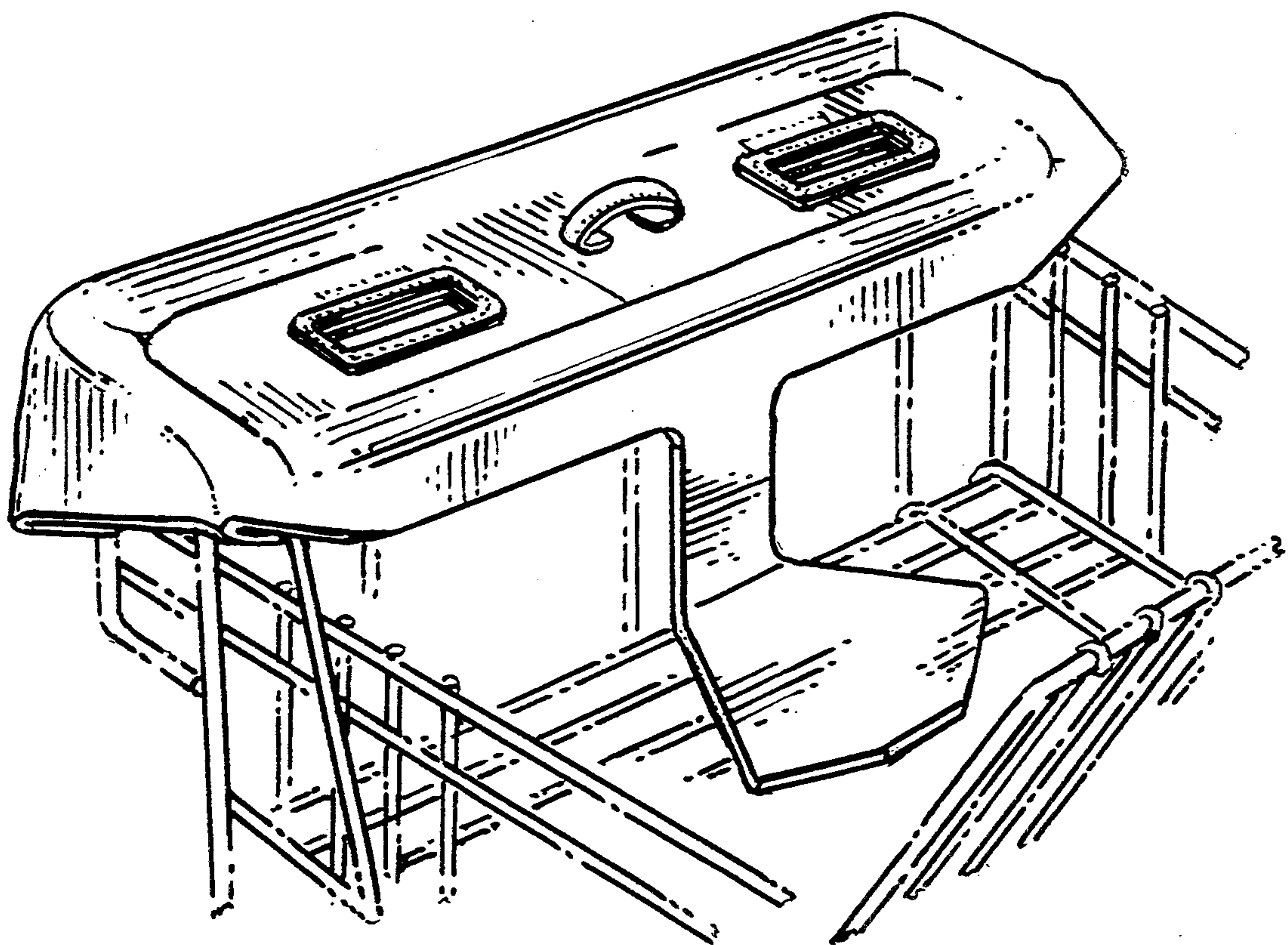


FIG. 7.