



US00D357783S

United States Patent [19]

Jones

[11] Patent Number: **Des. 357,783**

[45] Date of Patent: **** Apr. 25, 1995**

- [54] **FISHING CADDIE**
- [76] Inventor: **Floyd Jones**, 4601 Lanier Dr., Savannah, Ga. 31405
- [**] Term: **14 Years**
- [21] Appl. No.: **5,548**
- [22] Filed: **Mar. 5, 1993**
- [52] U.S. Cl. **D34/26; D34/24**
- [58] Field of Search **D3/315; D34/26, 24, D34/17; 43/54.1; 280/47.29, 47.26, 47.19, 652, 47.23, 654, 655**

- 5,118,130 6/1992 Kaltz 280/654
- 5,159,777 11/1992 Gonzalez 280/47.29 X
- 5,203,815 4/1993 Miller 280/47.26 X

Primary Examiner—A. Hugo Word
Assistant Examiner—Doris V. Coles
Attorney, Agent, or Firm—Hugh E. Smith

[57] **CLAIM**

The ornamental design for the fishing caddie, as shown and described.

DESCRIPTION

FIG. 1 is a front elevational view of the fishing caddie showing my new design;
 FIG. 2 is a rear elevational view thereof;
 FIG. 3 is a left side elevational view thereof;
 FIG. 4 is a right side elevational view thereof;
 FIG. 5 is a top plan view thereof;
 FIG. 6 is a bottom plan view thereof; and,
 FIG. 7 is an isometric view thereof.

- [56] **References Cited**
- U.S. PATENT DOCUMENTS**
- D. 319,907 9/1991 Fountain D34/26
- 3,997,181 12/1976 Jaco et al. 280/47.19
- 4,355,818 10/1982 Watts 280/47.26 X
- 5,002,304 3/1991 Carrigan, Jr. 280/47.29 X
- 5,005,847 4/1991 King et al. 280/47.19

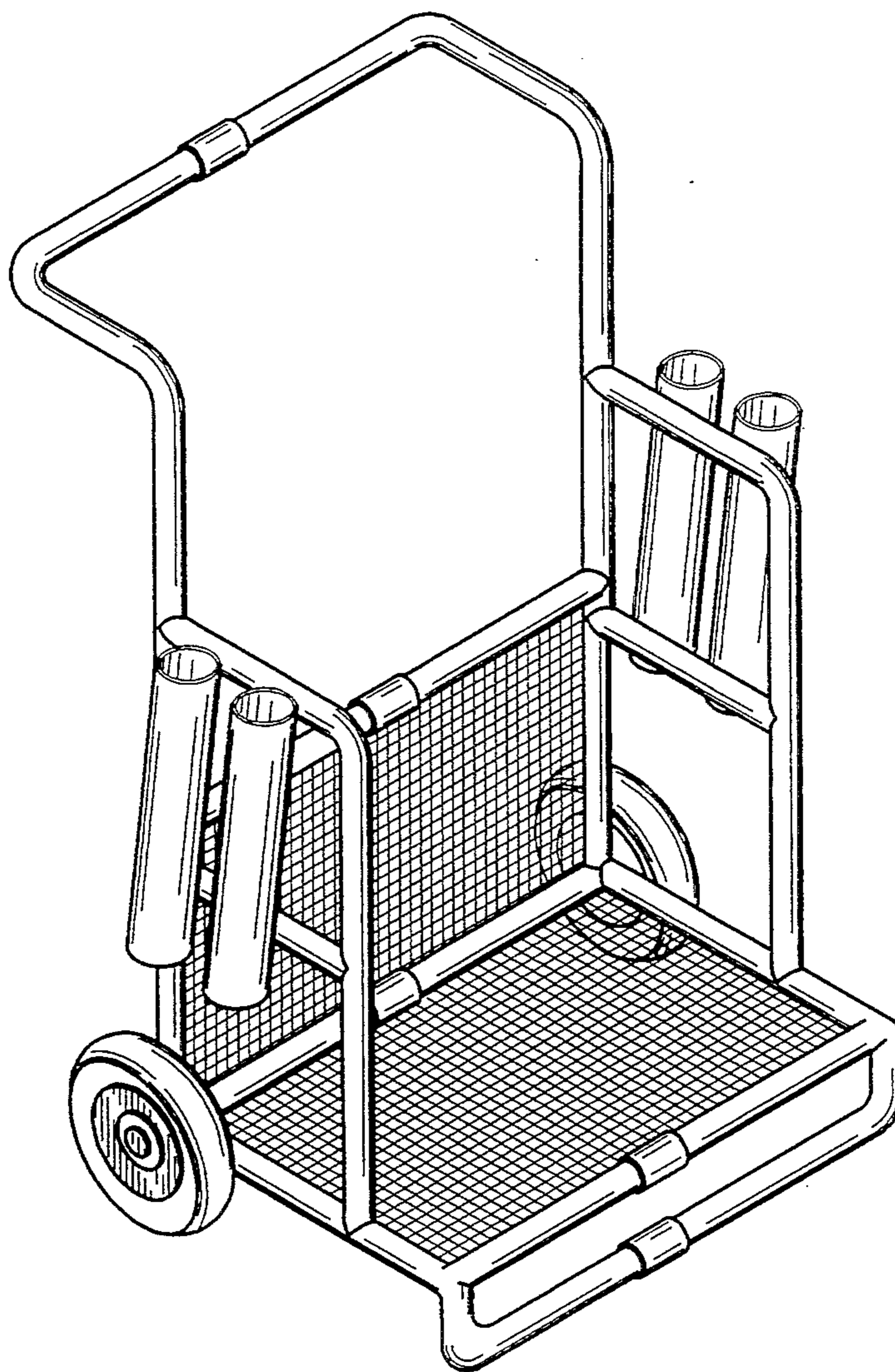


FIG. 1

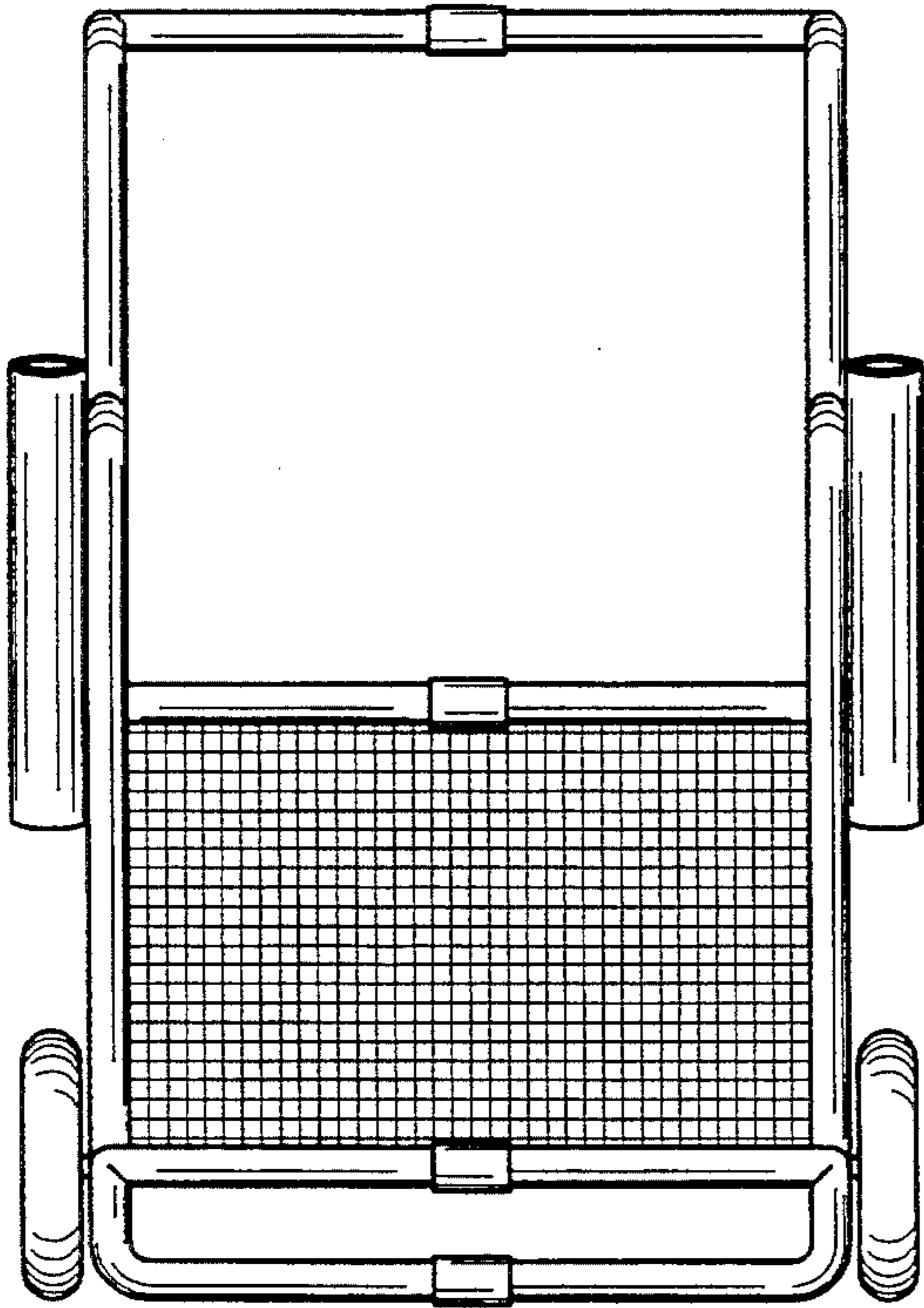


FIG. 2

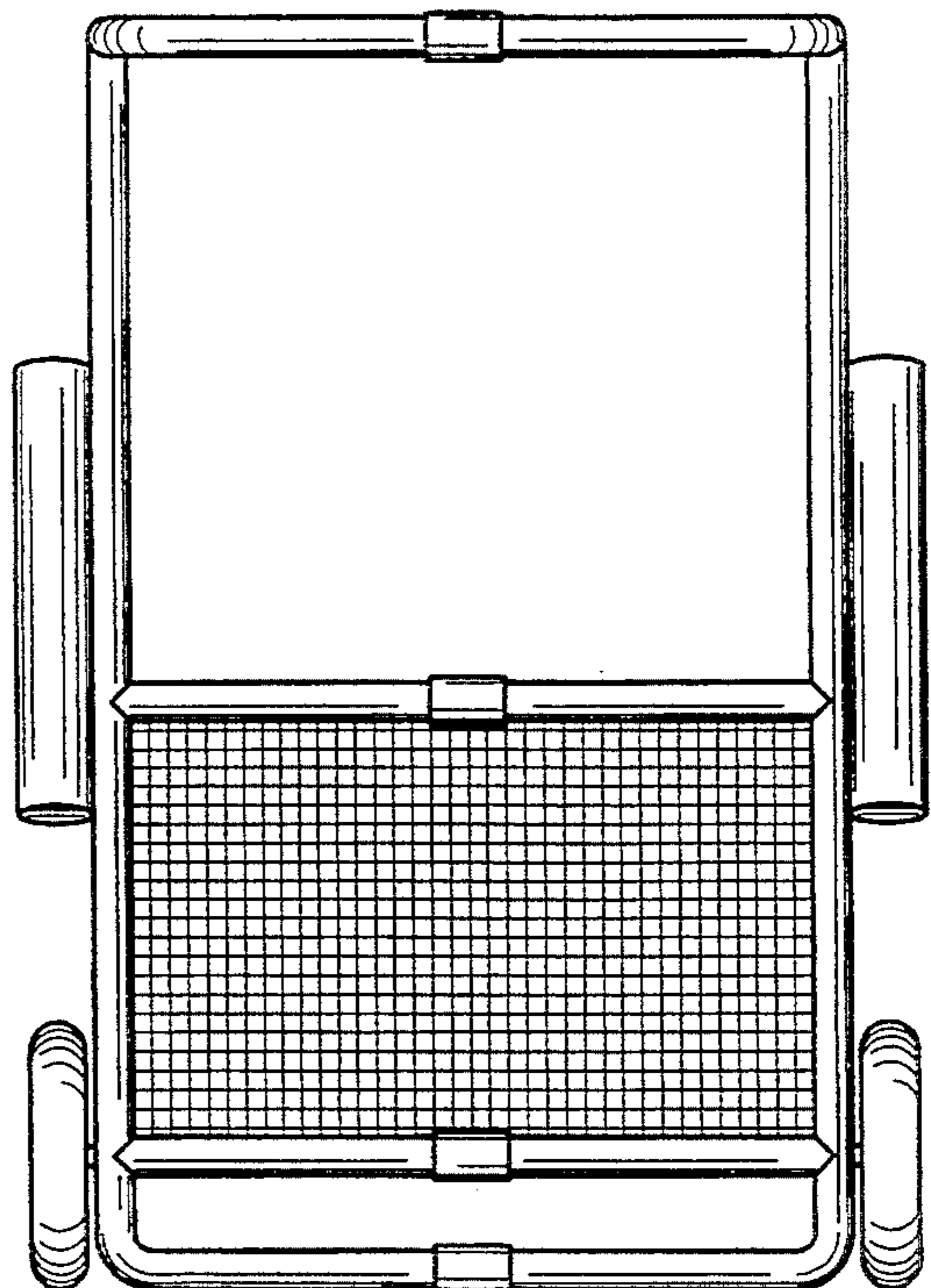


FIG. 3

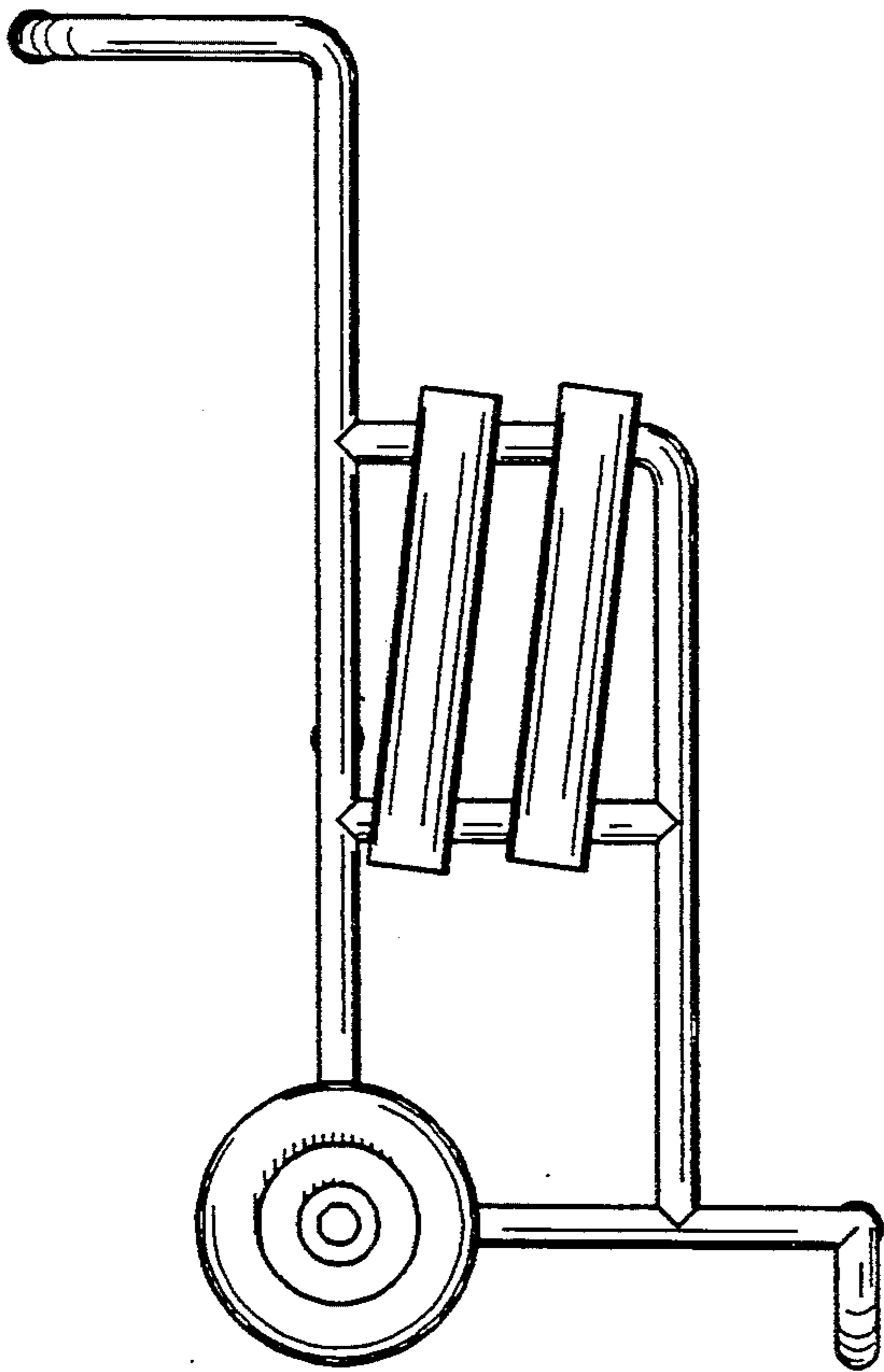


FIG. 4

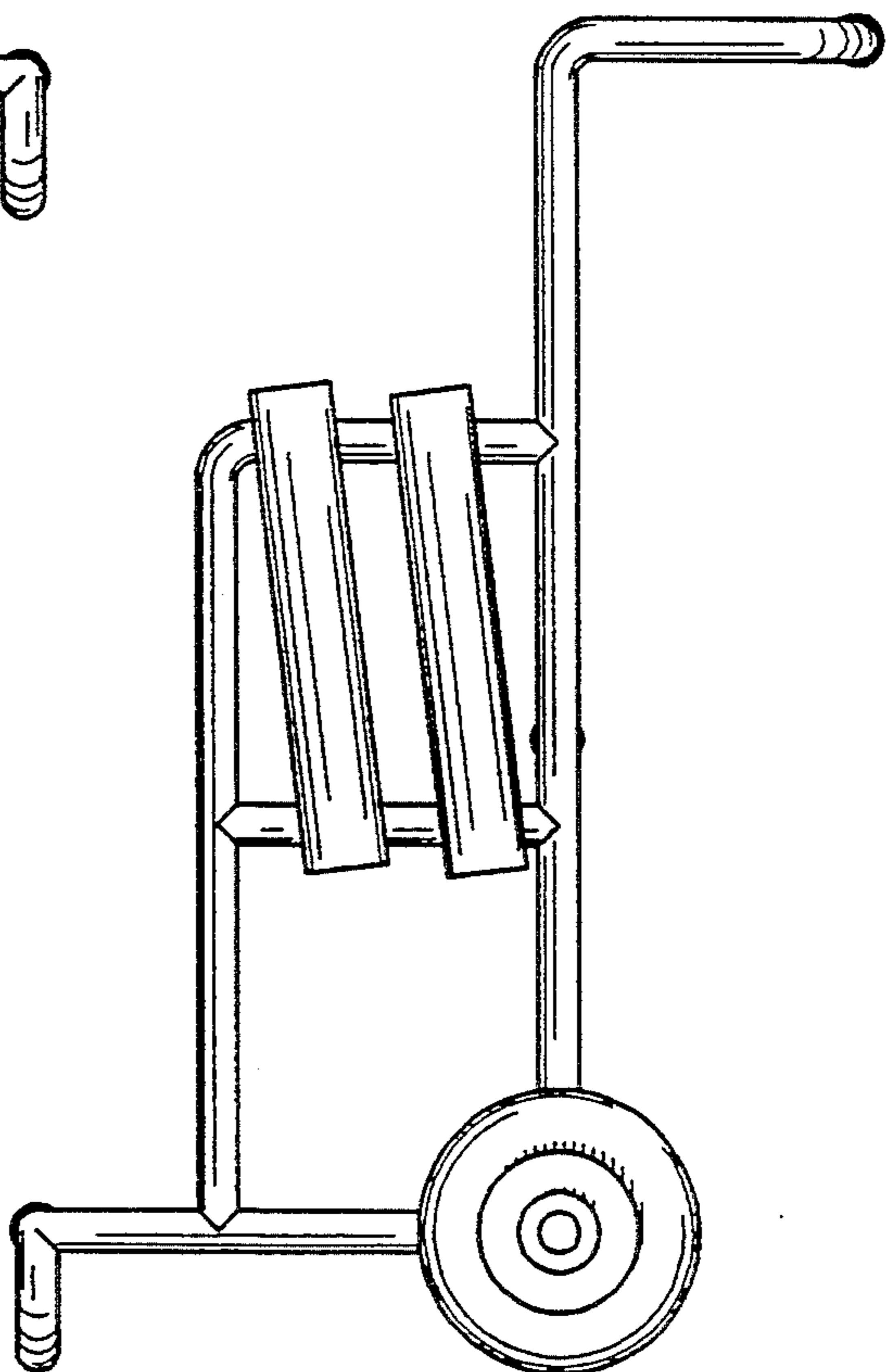


FIG. 5

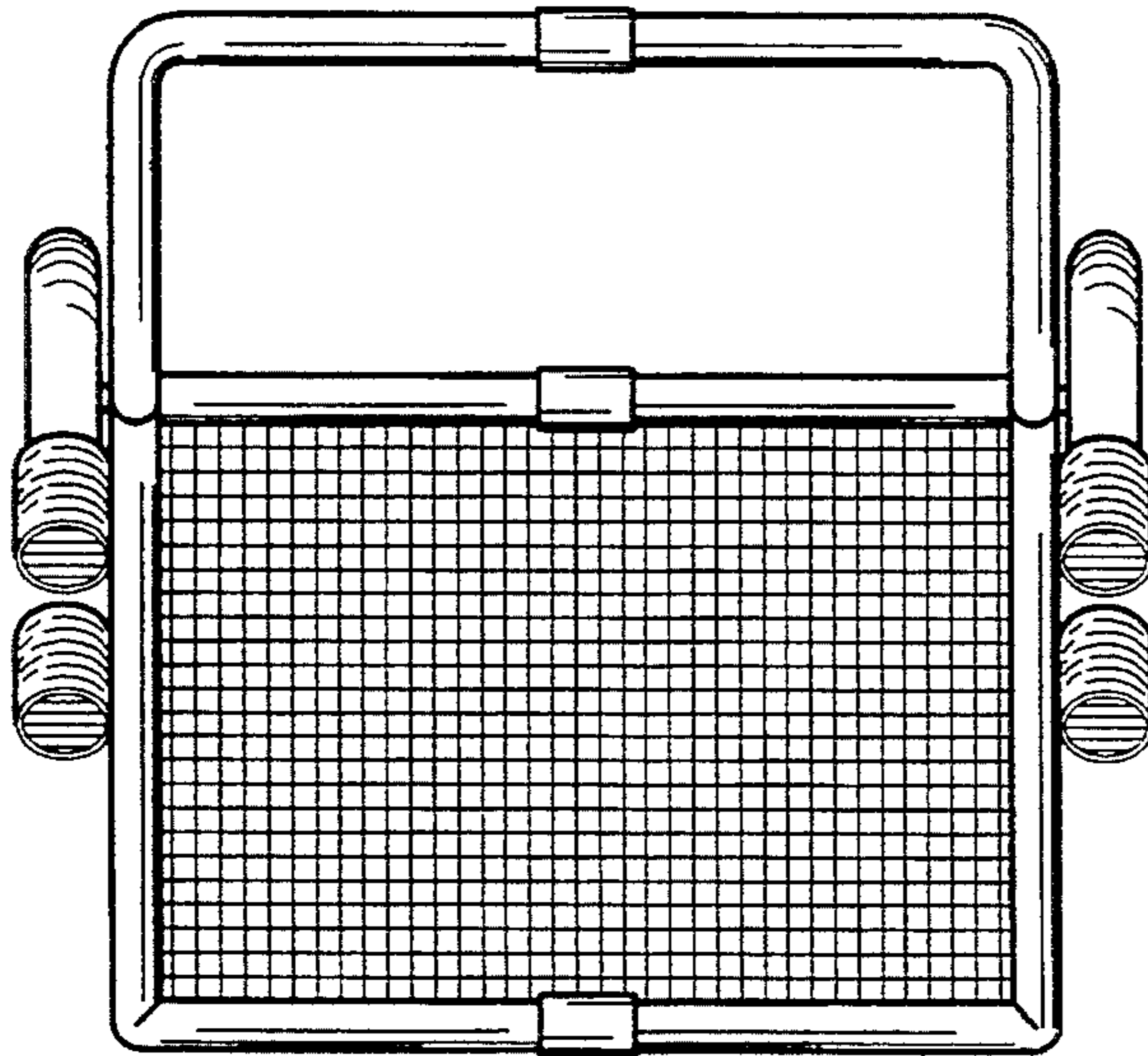


FIG. 6

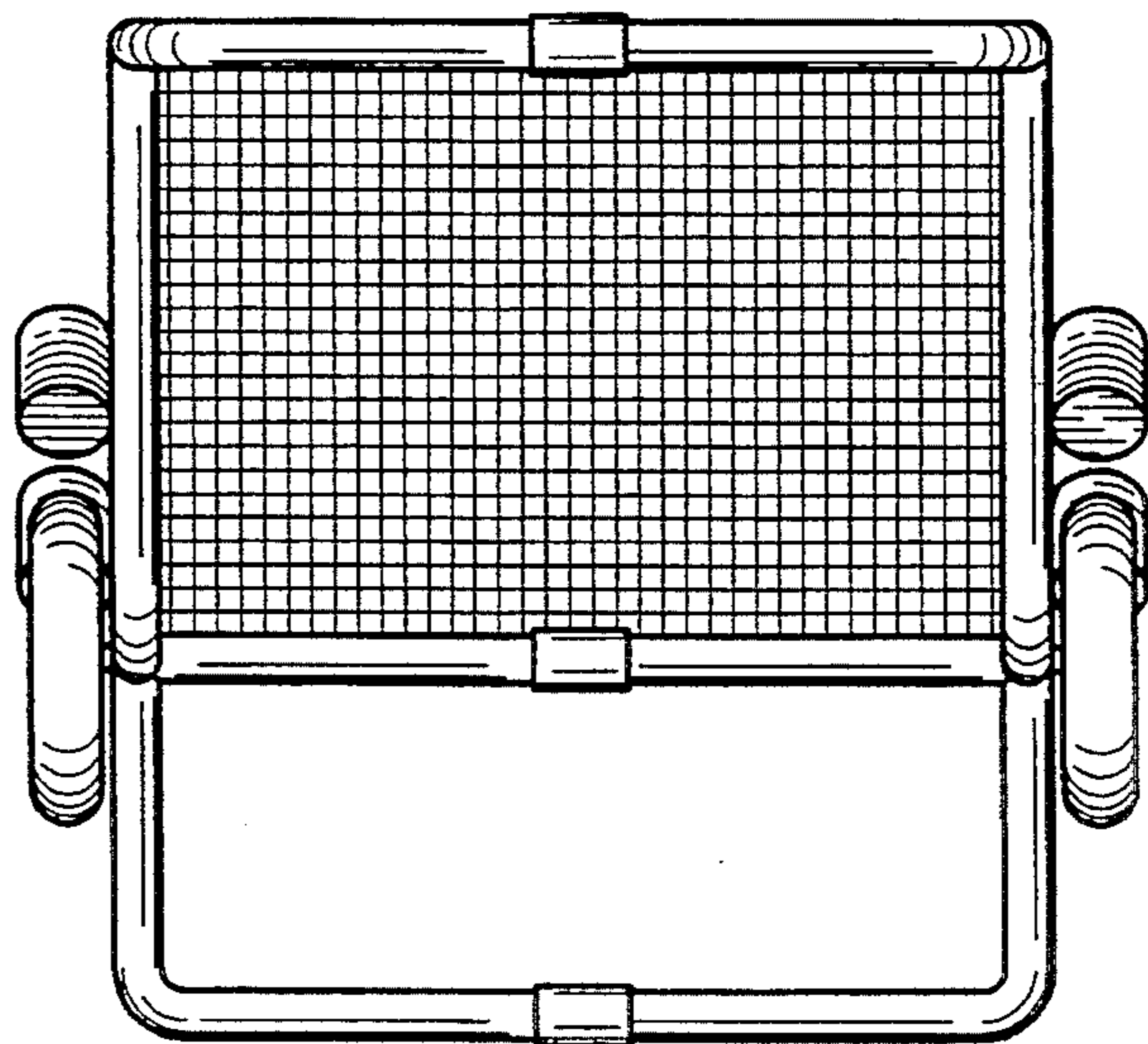


FIG. 7

