



US00D357782S

United States Patent [19]

Hockenberry et al.

[11] Patent Number: **Des. 357,782**

[45] Date of Patent: **** Apr. 25, 1995**

[54] **HAND CART**

[75] Inventors: **Jack K. Hockenberry, Albert Lea; Ferdinand J. Herpers, Jr.,** Minnetonka, both of Minn.

[73] Assignee: **Richard McCluhan & Associates,** Mankato, Minn.

[**] Term: **14 Years**

[21] Appl. No.: **22,039**

[22] Filed: **Apr. 28, 1994**

[52] U.S. Cl. **D34/24; D34/26**

[58] Field of Search **D34/12, 24, 25, 26; 280/47.24, 47.19, 47.26, 47.29; 414/290**

4,953,888 9/1990 Stein 280/654
 4,974,871 12/1990 Mao 280/651
 5,024,458 6/1991 Kazmark et al. 280/645
 5,168,601 12/1992 Liu 16/126

FOREIGN PATENT DOCUMENTS

141575 6/1951 Australia .

Primary Examiner—Kay H. Chin
Attorney, Agent, or Firm—Moore & Hansen

[57] CLAIM

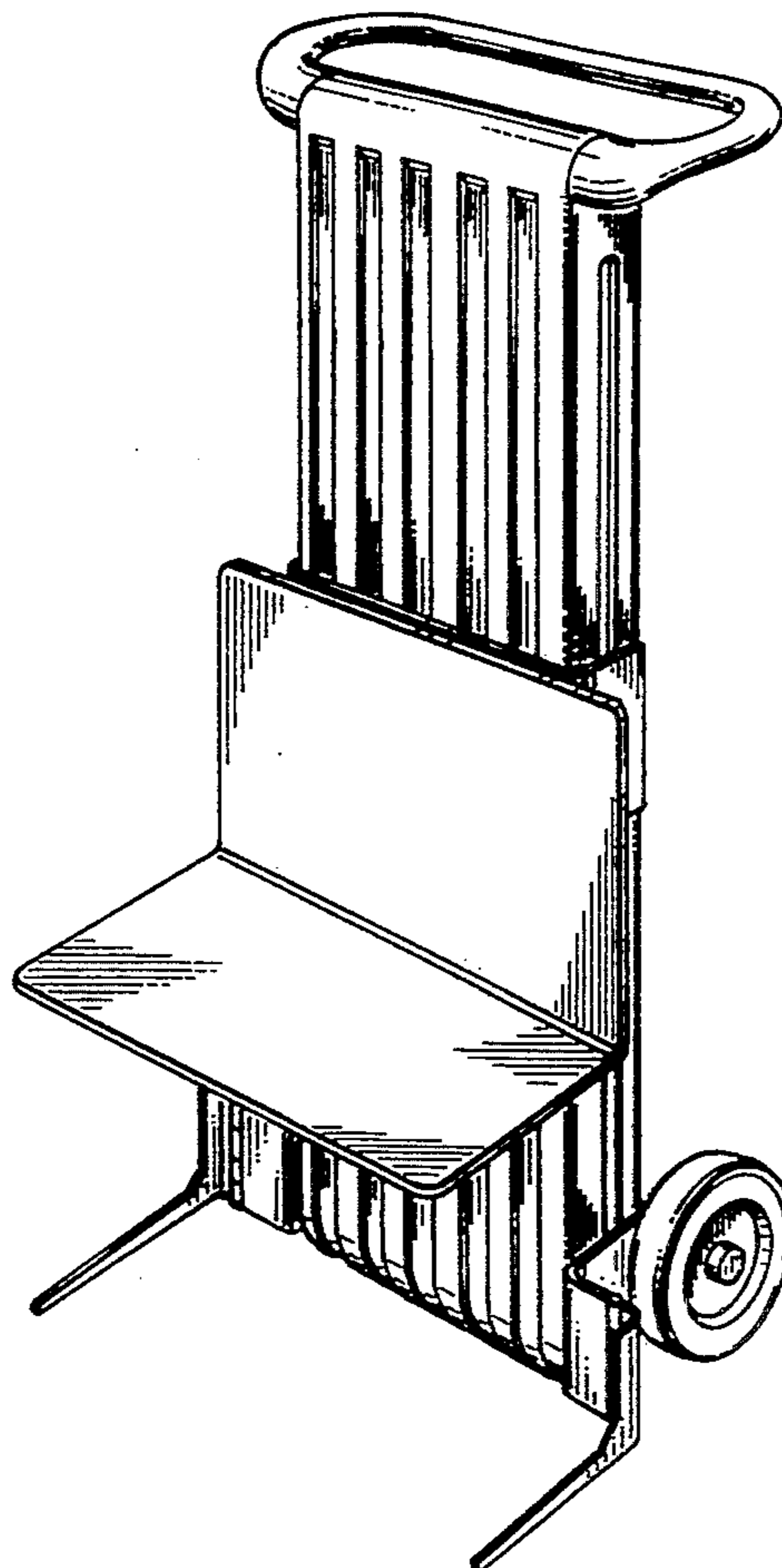
The ornamental design for a hand cart, as shown and described.

DESCRIPTION

FIG. 1 is a perspective view of a hand cart in accord with the present invention;
 FIG. 2 is a side elevation view of the hand cart shown in FIG. 1;
 FIG. 3 is a front elevation view of the hand cart shown in FIG. 1;
 FIG. 4 is a rear elevation view of the hand cart shown in FIG. 1;
 FIG. 5 is a top plan view of the hand cart shown in FIG. 1; and,
 FIG. 6 is a bottom view of the hand cart shown in FIG. 1.

[56] **References Cited**
U.S. PATENT DOCUMENTS

2,514,825 7/1950 Zenko 214/100
 2,598,489 5/1952 Bayer et al. 214/100
 2,738,983 3/1956 Essig 280/34
 3,052,323 9/1962 Hopfeld 187/10
 3,763,965 10/1973 Reikkinen 187/9
 3,788,659 1/1974 Allen 280/5.24
 3,907,138 9/1975 Rhodes 214/370
 4,244,595 1/1981 Sagaert 280/47.29
 4,737,065 4/1988 Ju 414/290
 4,896,897 1/1990 Wilhelm 280/655



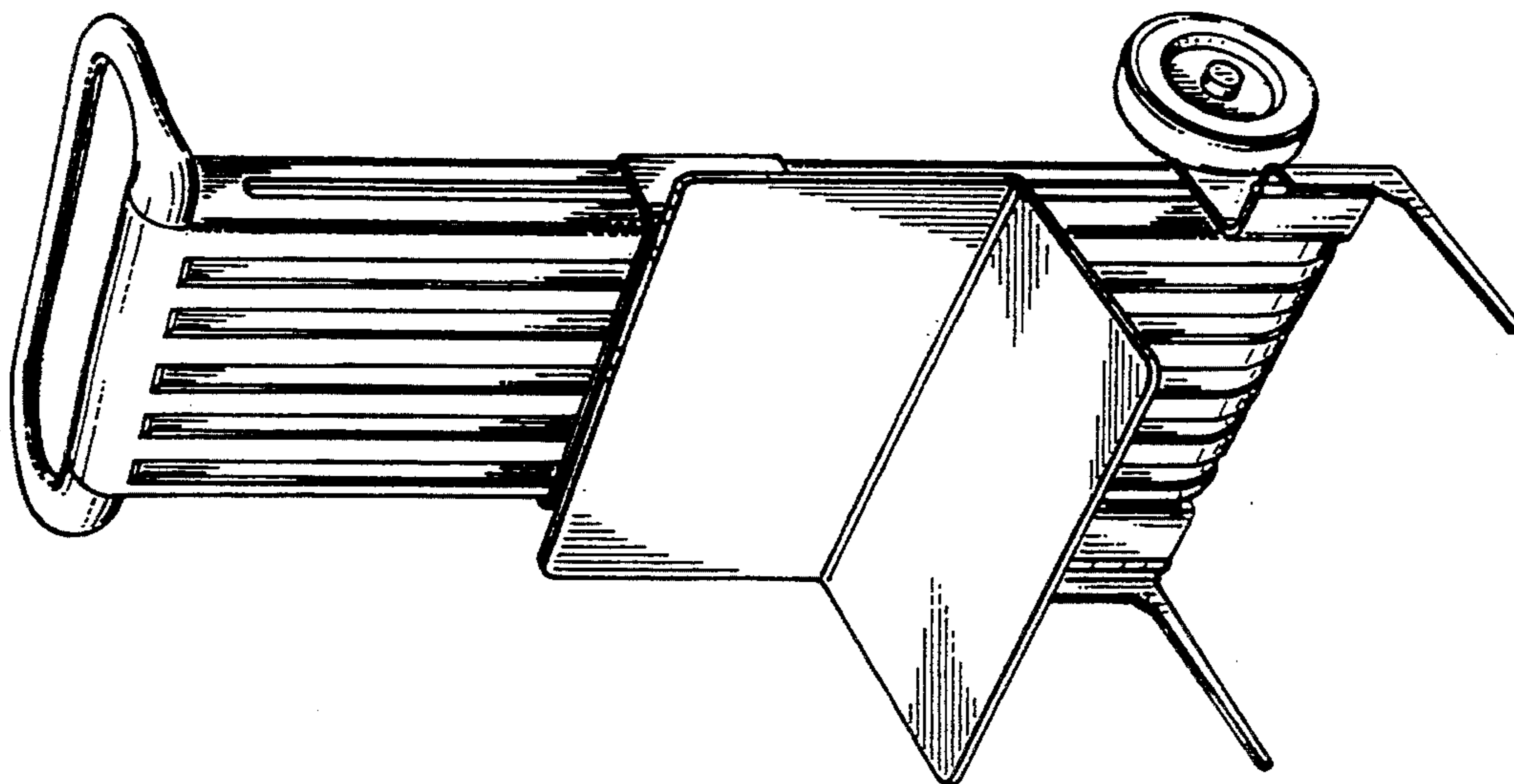


Fig. 1

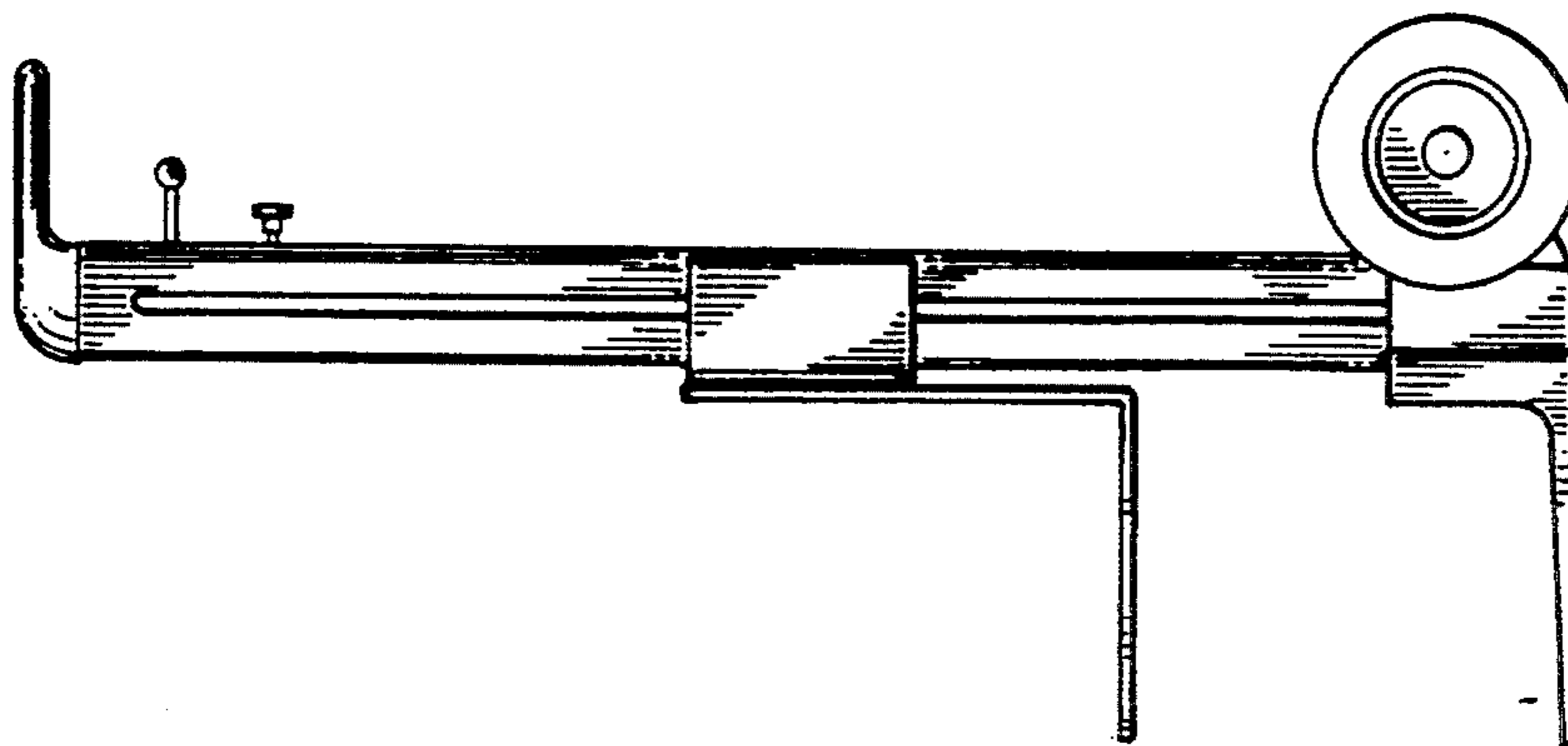


Fig. 2

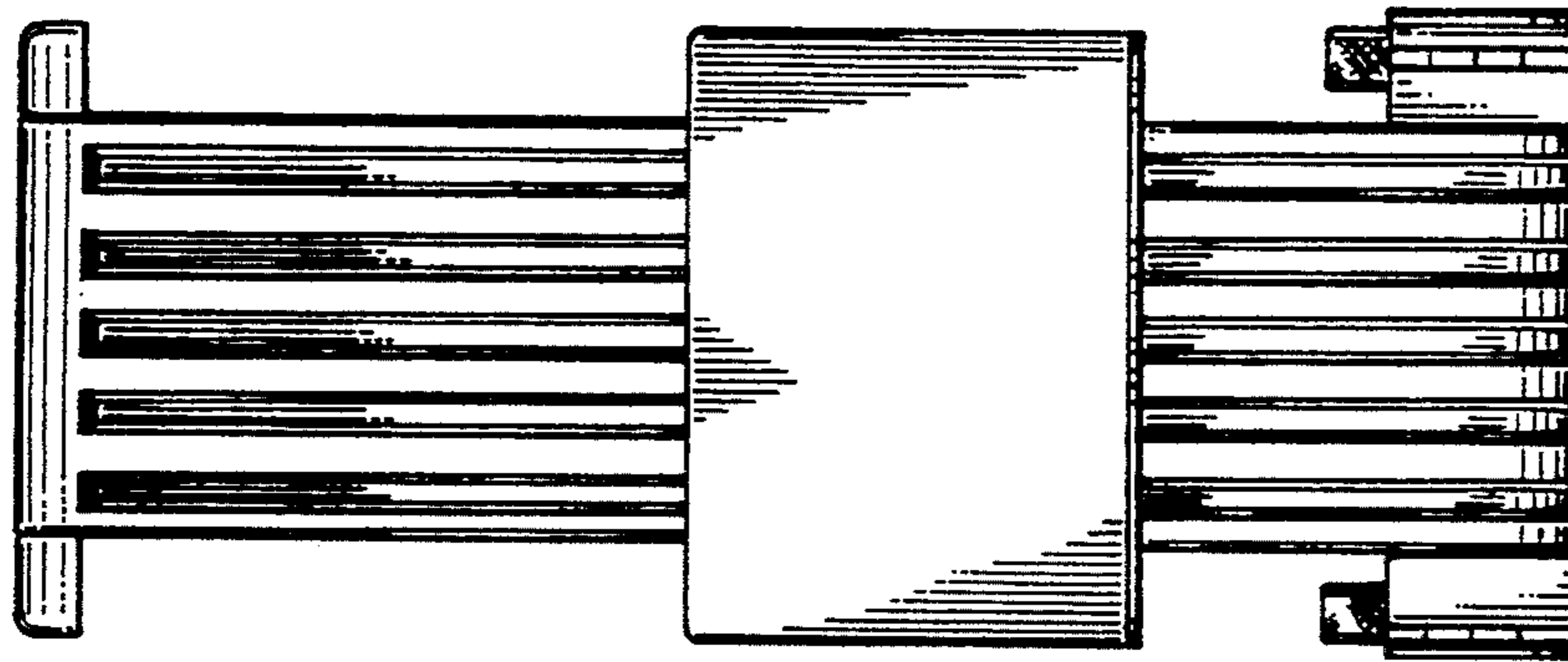


Fig. 3

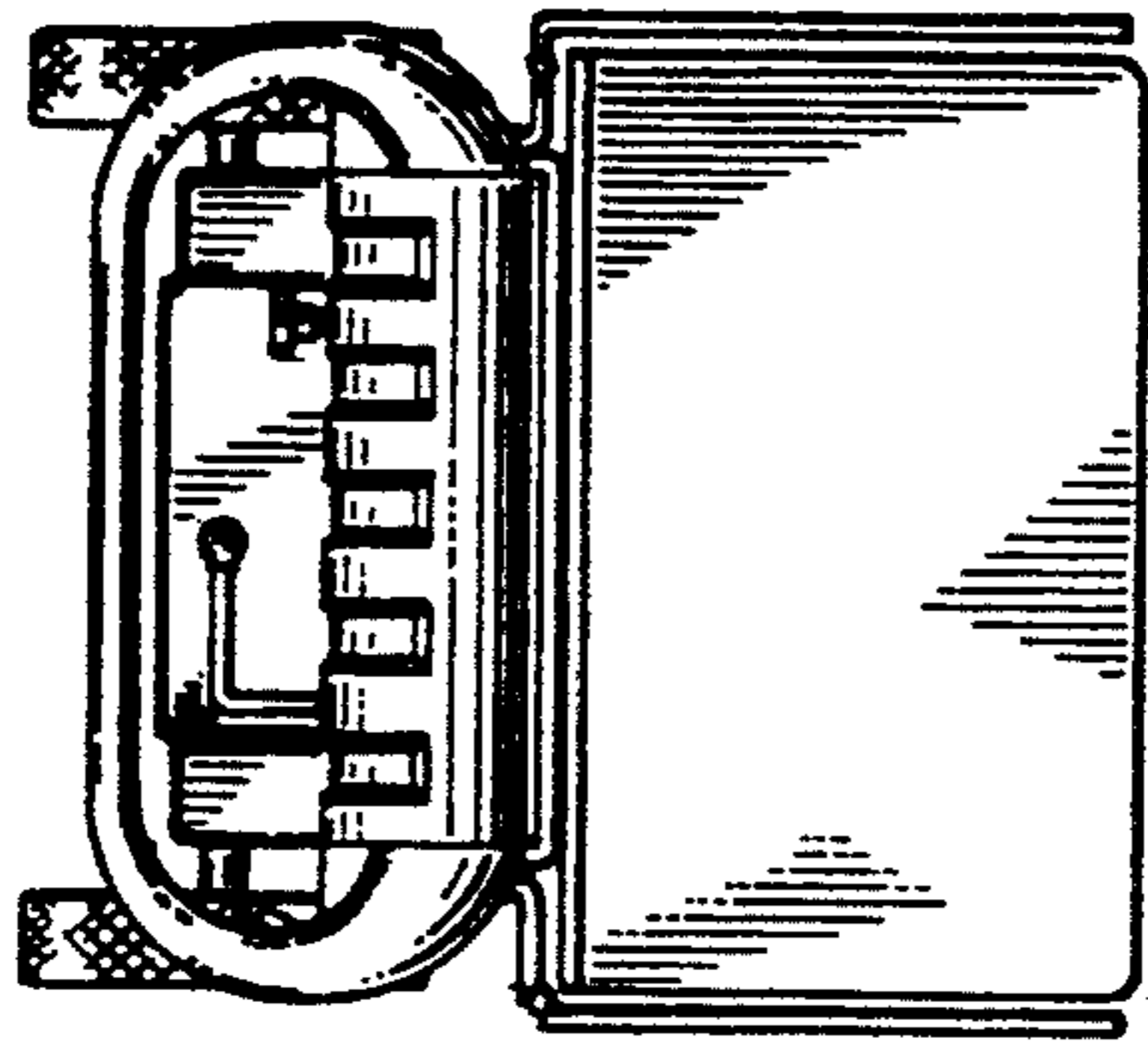


Fig. 5

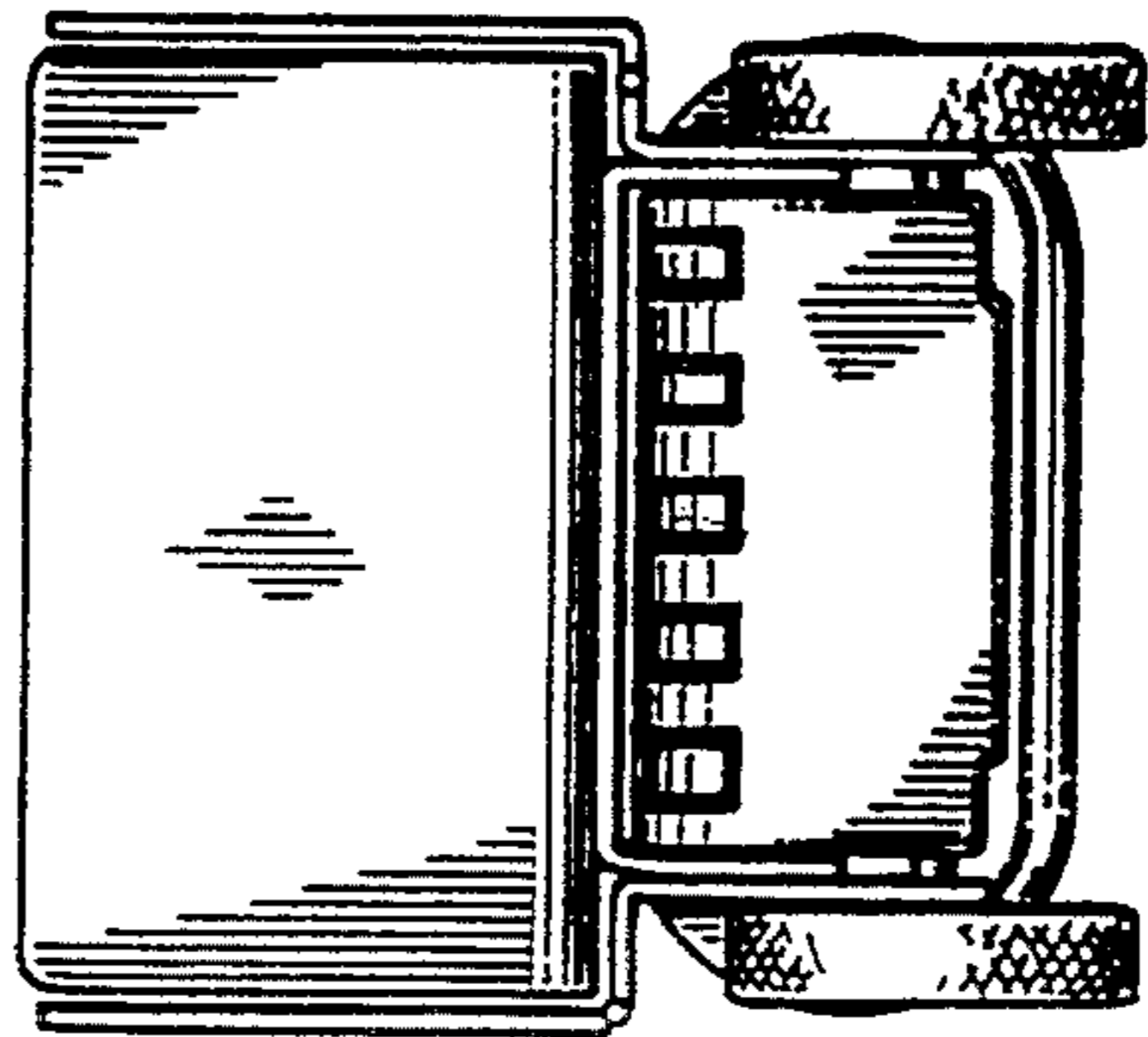


Fig. 6

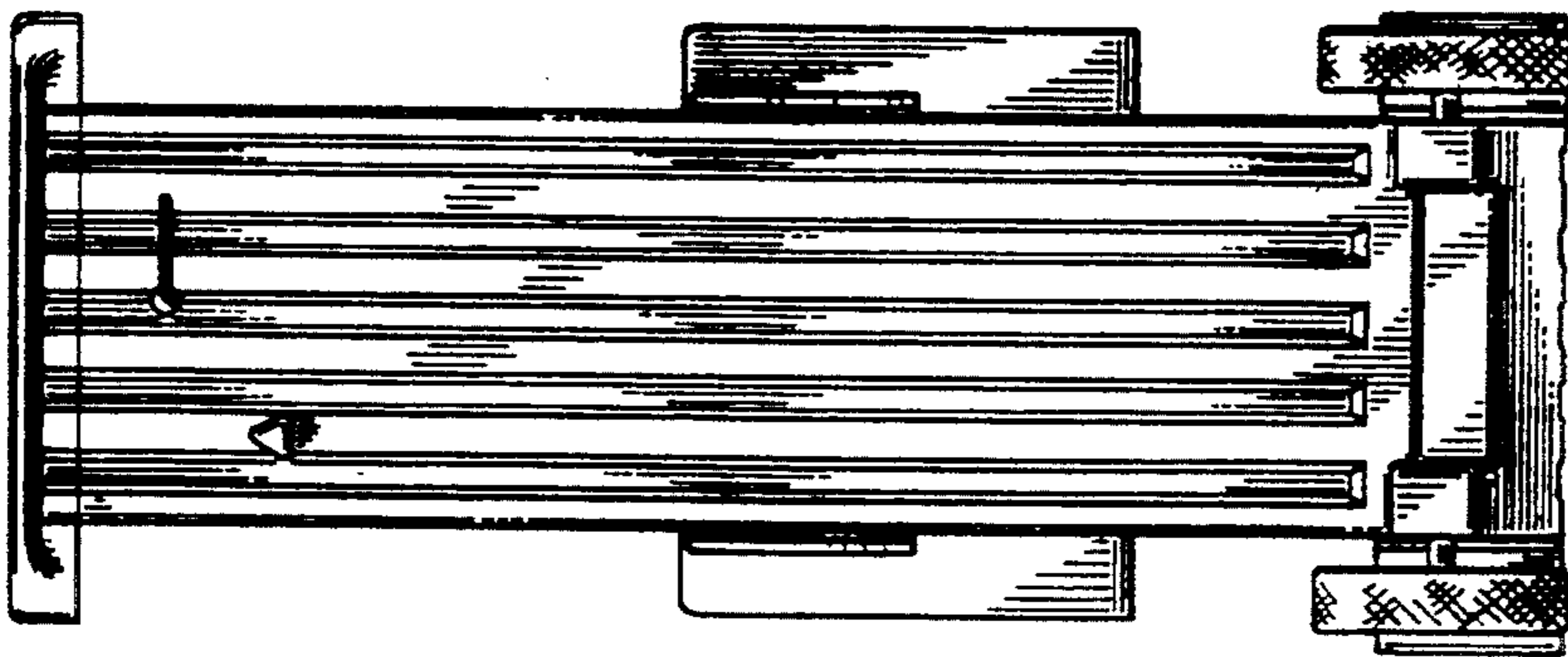


Fig. 4