



US00D357781S

United States Patent [19]

[11] Patent Number: **Des. 357,781**

Crinion

[45] Date of Patent: **** Apr. 25, 1995**

[54] **MOBILE CADDY**

[56] **References Cited**

[75] Inventor: **Jonathan Crinion, Toronto, Canada**

U.S. PATENT DOCUMENTS

D. 130,079	10/1941	Weller	D6/430
D. 315,071	3/1991	Miller	D6/430
D. 327,967	7/1992	Hikawa	D34/19

[73] Assignee: **Westinghouse Electric Corporation, Pittsburgh, Pa.**

Primary Examiner—Kay H. Chin
Attorney, Agent, or Firm—Carla J. Vrsansky

[**] Term: **14 Years**

[57] CLAIM

The ornamental design for a mobile caddy, as shown and described.

[21] Appl. No.: **17,873**

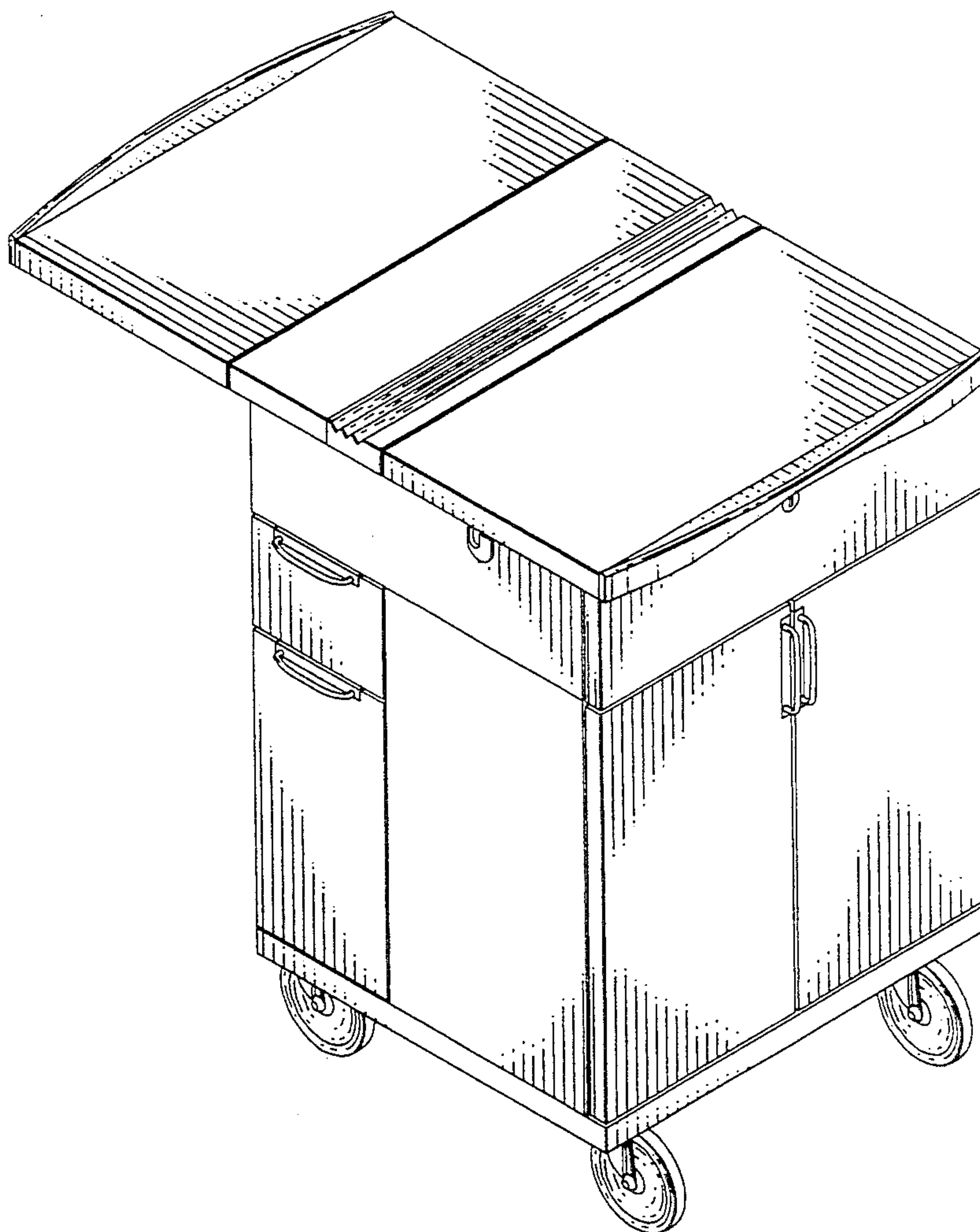
DESCRIPTION

[22] Filed: **Jan. 24, 1994**

[52] U.S. Cl. **D34/19; D34/17; D6/430**

[58] Field of Search **D34/12, 17, 19, 20, D34/21; D6/430, 436, 445; 280/47.35, 79.3; 312/350**

FIG. 1 is a perspective view of a mobile caddy showing my new design;
FIG. 2 is a front elevational view thereof;
FIG. 3 is a rear elevational view thereof;
FIG. 4 is a right side elevational view thereof;
FIG. 5 is a left side elevational view thereof;
FIG. 6 is a top plan view thereof; and,
FIG. 7 is a bottom plan view thereof.



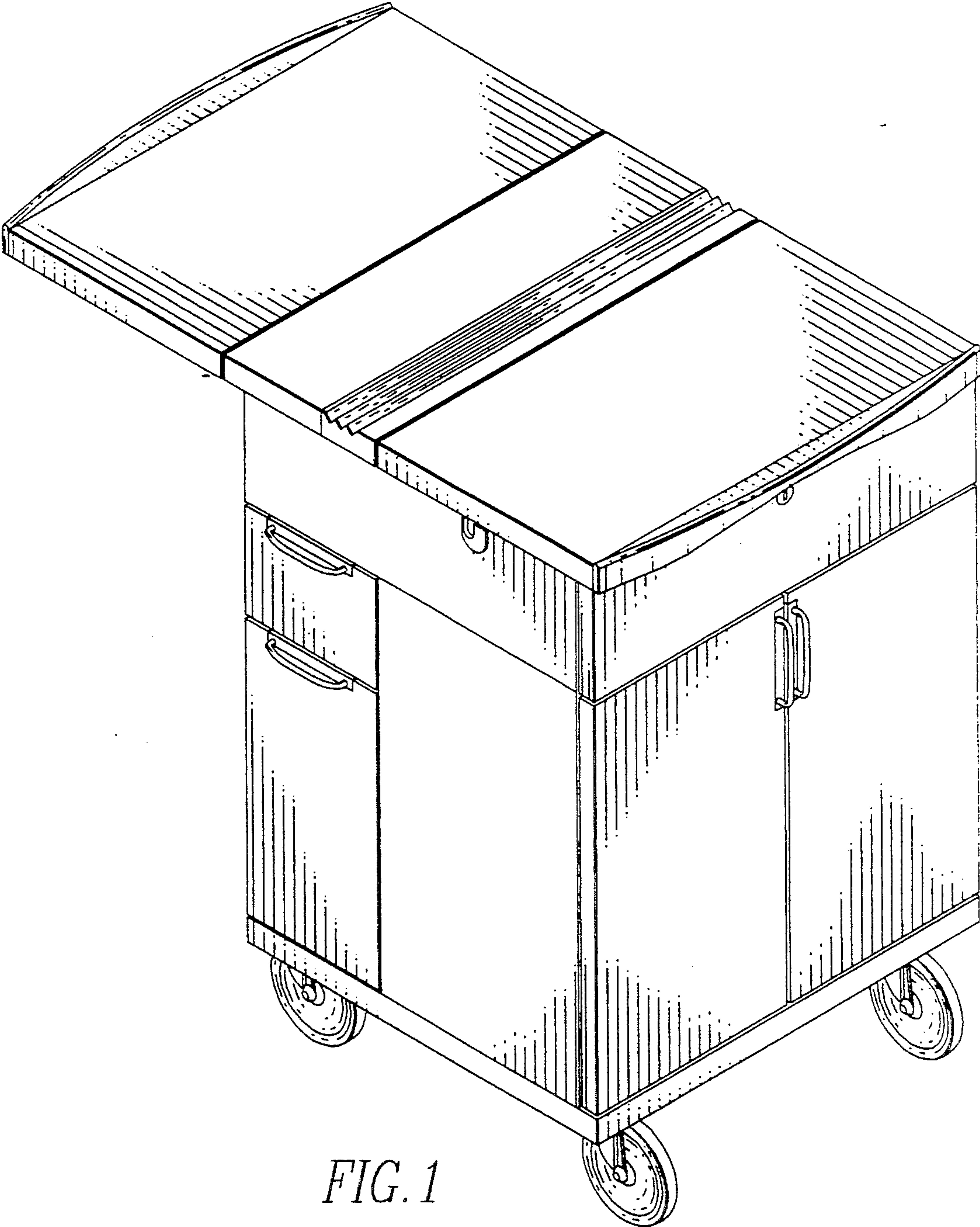


FIG. 1

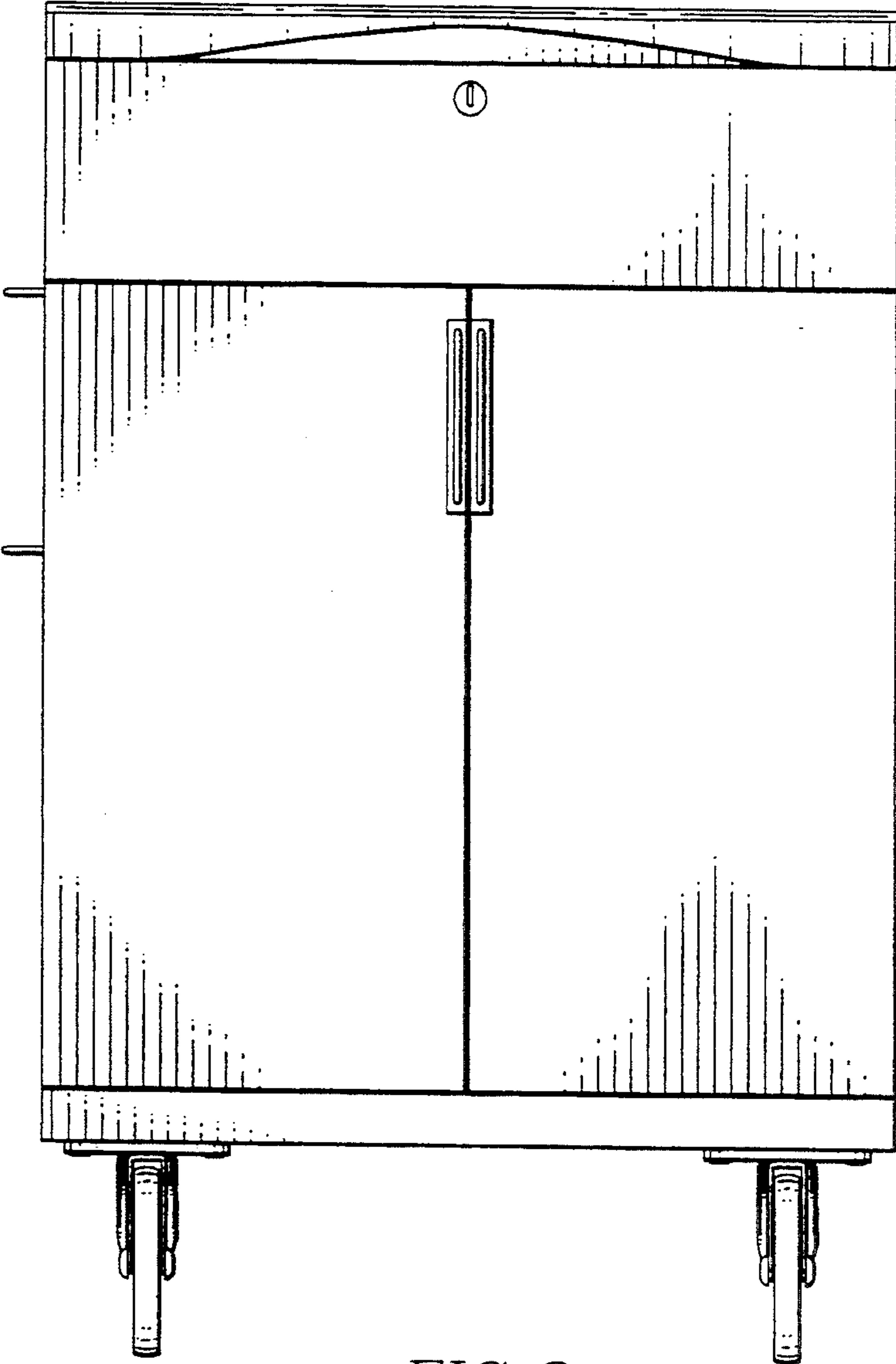


FIG. 2

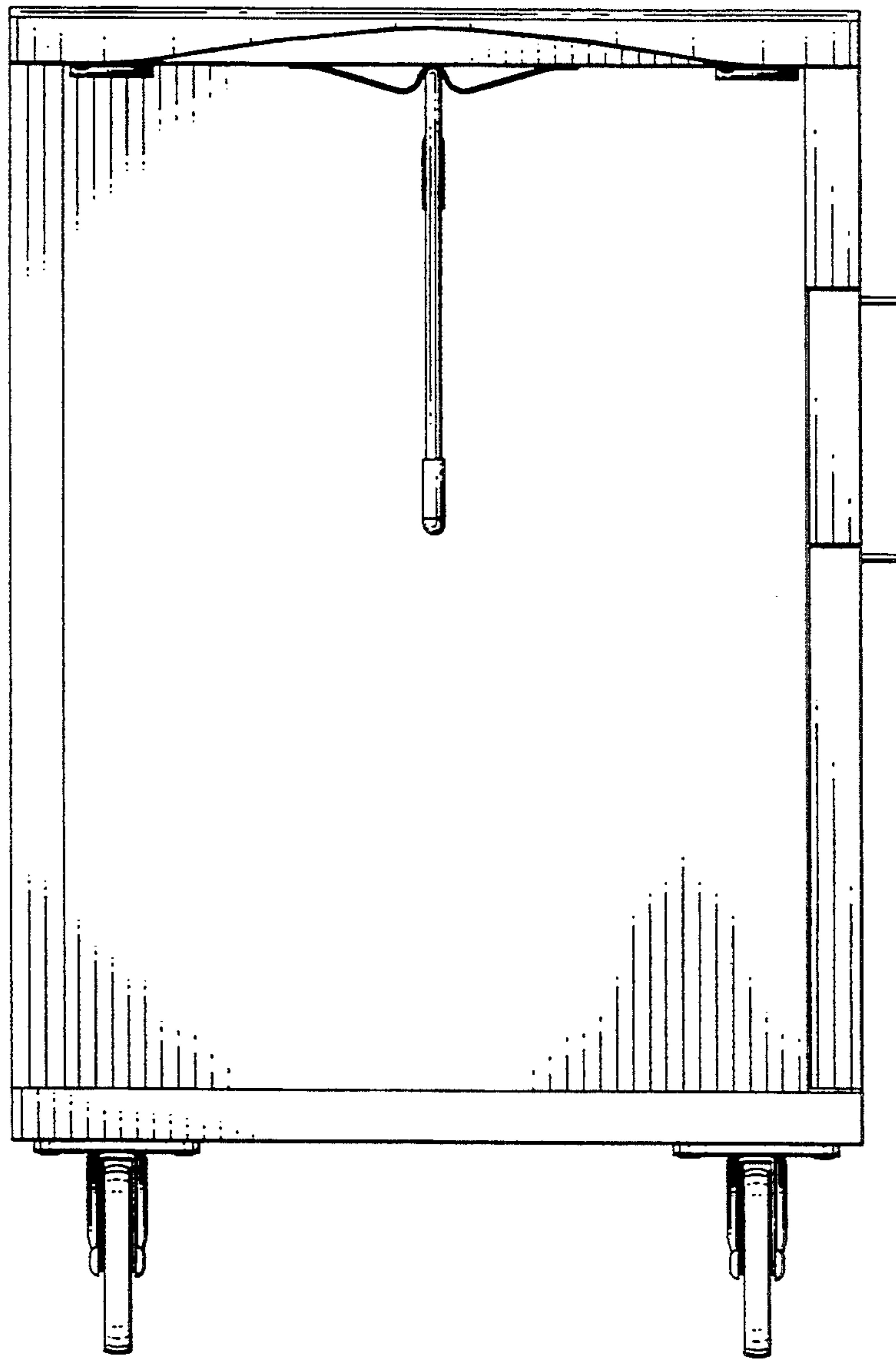


FIG. 3

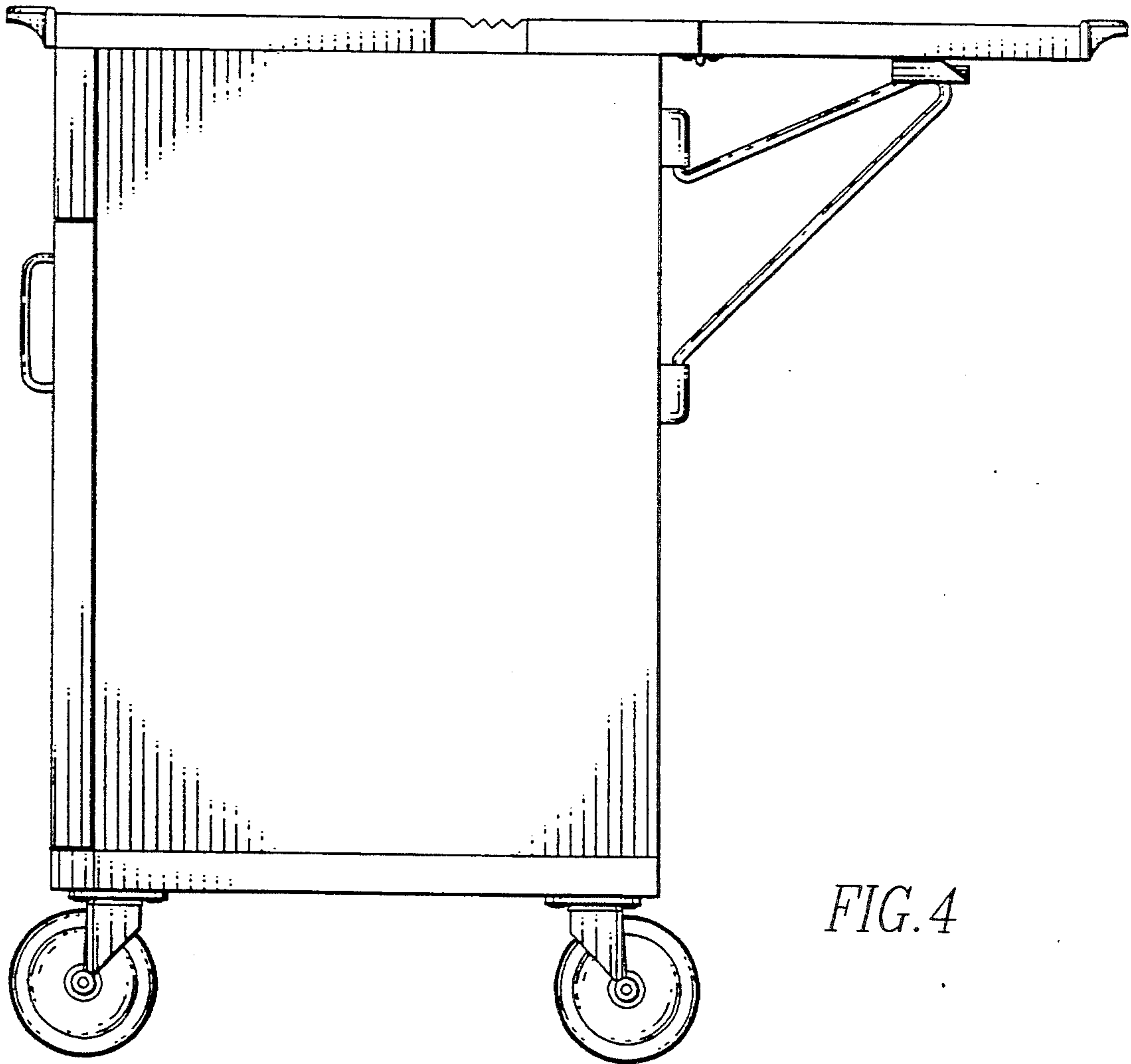


FIG. 4

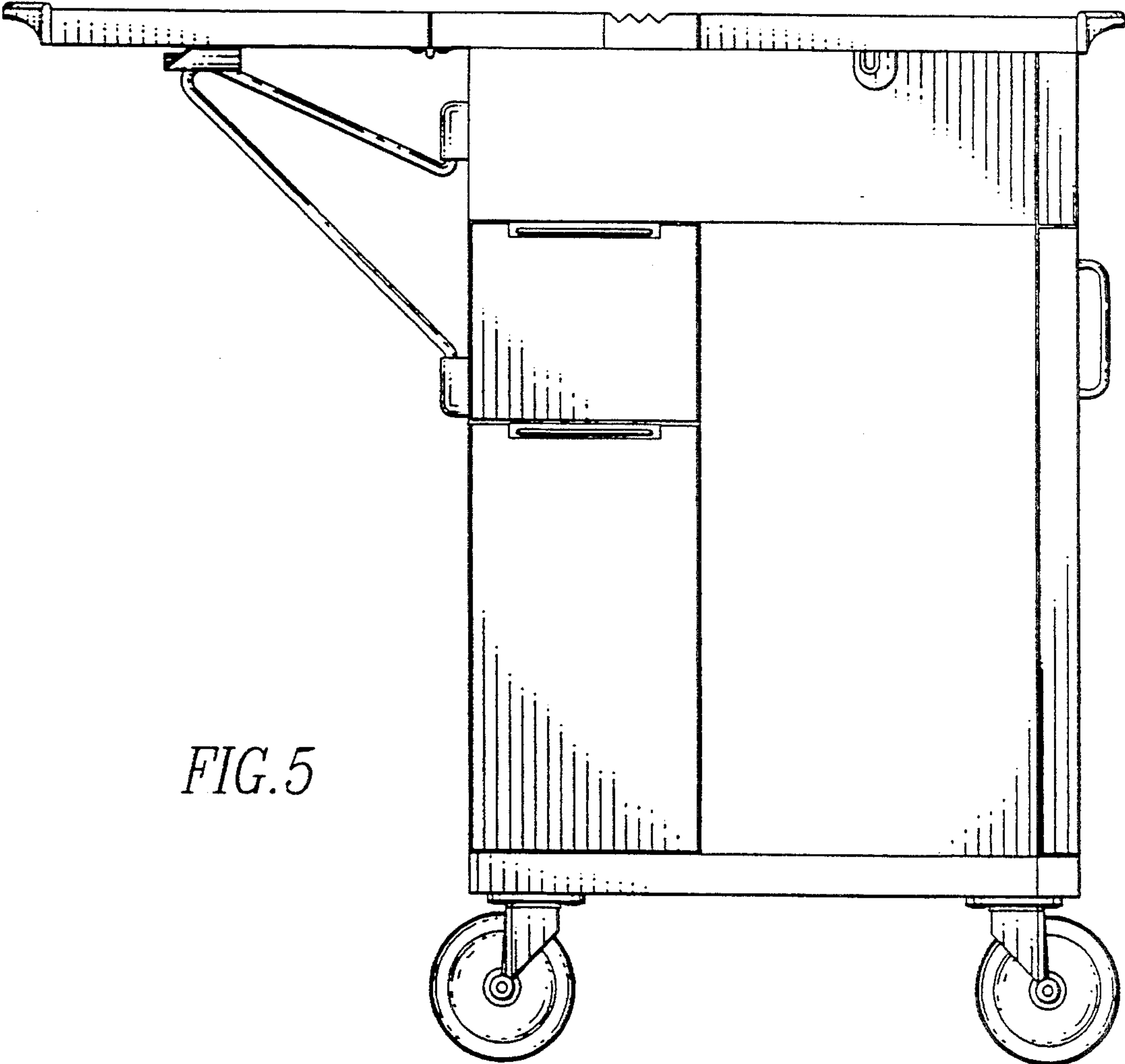


FIG. 5

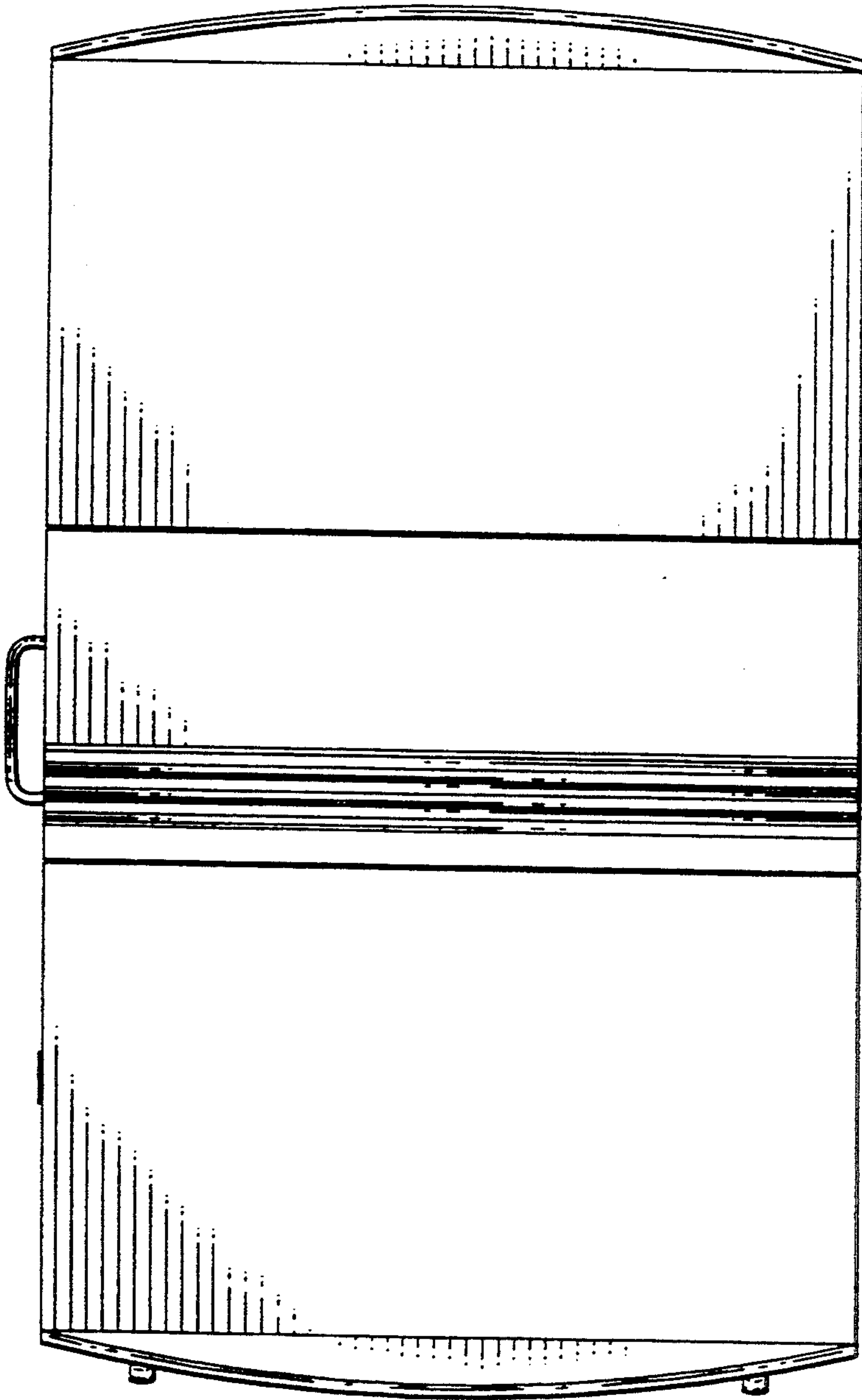


FIG. 6

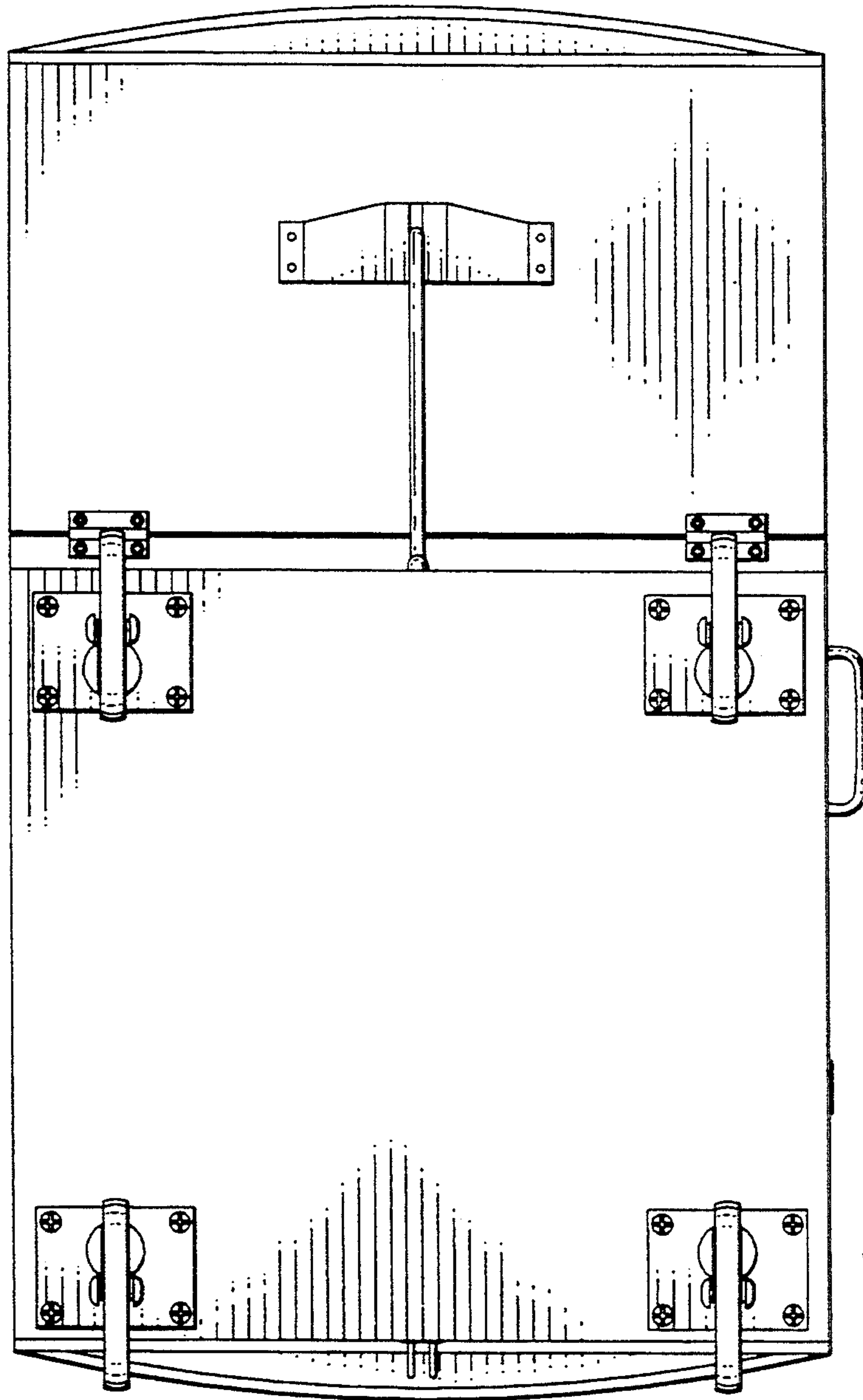


FIG. 7