



US00D357778S

United States Patent [19]

[11] Patent Number: **Des. 357,778**

Dalgarno

[45] Date of Patent: **** Apr. 25, 1995**

[54] **COMPOSTER**

D. 343,702 1/1994 Doty et al. D34/1
2,114,800 4/1938 Glowka 220/908

[76] Inventor: **Darren Dalgarno**, 11635 - 126 Street,
Edmonton, Alberta T5M OR9,
Canada

Primary Examiner—James M. Gandy
Assistant Examiner—Robin V. Taylor
Attorney, Agent, or Firm—George A. Seaby

[**] Term: **14 Years**

[57] **CLAIM**

[21] Appl. No.: **23,260**

The ornamental design for a composter, as shown and described.

[22] Filed: **May 20, 1994**

[30] **Foreign Application Priority Data**

DESCRIPTION

Nov. 22, 1993 [CA] Canada 22-11-93-1

[52] U.S. Cl. **D34/1**

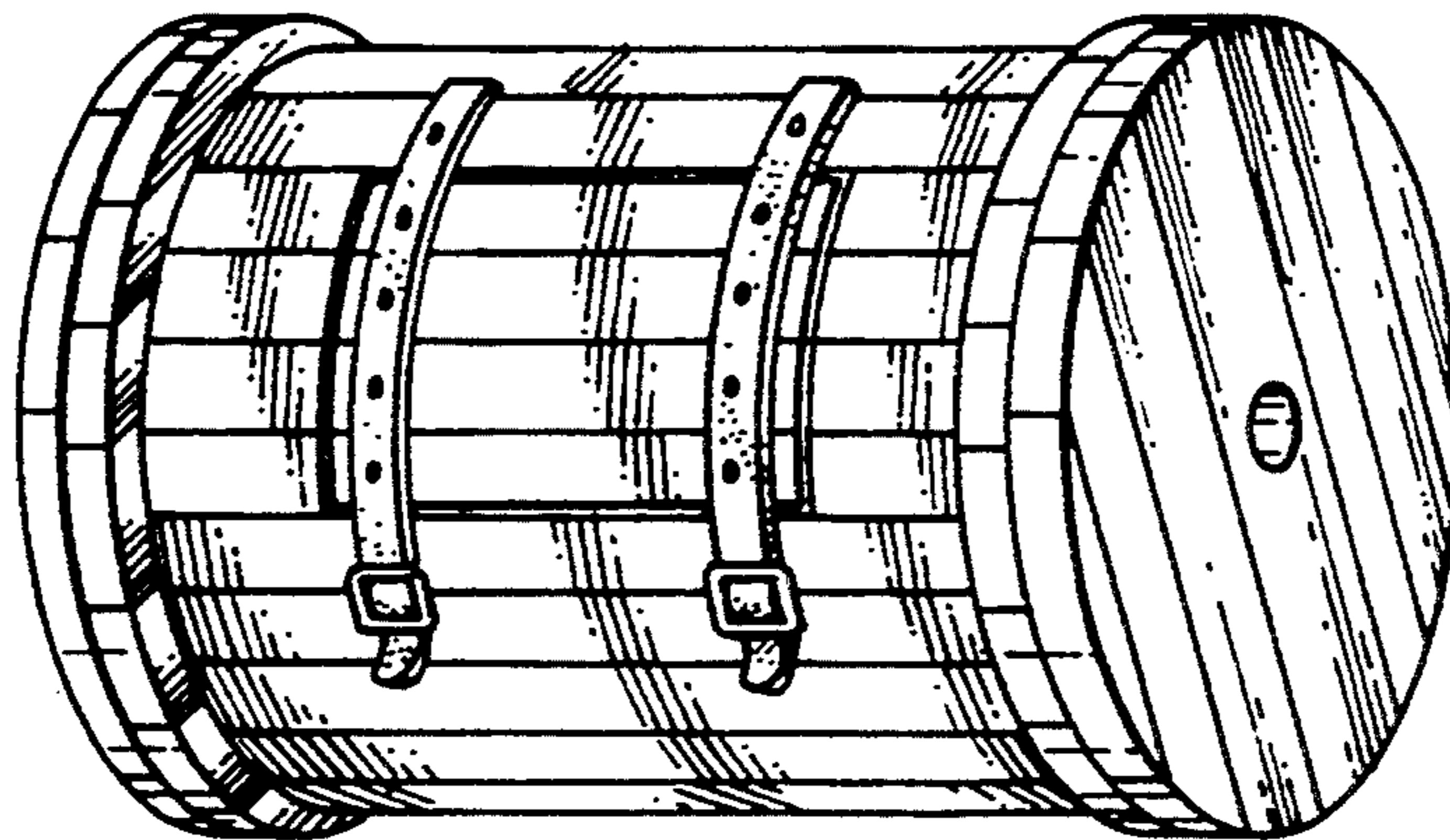
[58] Field of Search D34/1, 5-9;
D32/37; 220/675, 908-911, DIG. 12, DIG. 14,
500, 553, 555

FIG. 1 is a perspective view from the front and one end of a composter showing my new design;
FIG. 2 is a perspective view from the rear and the other end thereof;
FIG. 3 is an end view thereof, the other end being identical;
FIG. 4 is a perspective view from the front and one end of a second embodiment of the composter;
FIG. 5 is a perspective view from the rear of FIG. 4; and,
FIG. 6 is an end view thereof, the other end being identical.

[56] **References Cited**

U.S. PATENT DOCUMENTS

D. 269,046 5/1983 Faul D34/4
D. 294,993 3/1988 Faul D34/1
D. 333,024 2/1993 Van Buiten D34/1



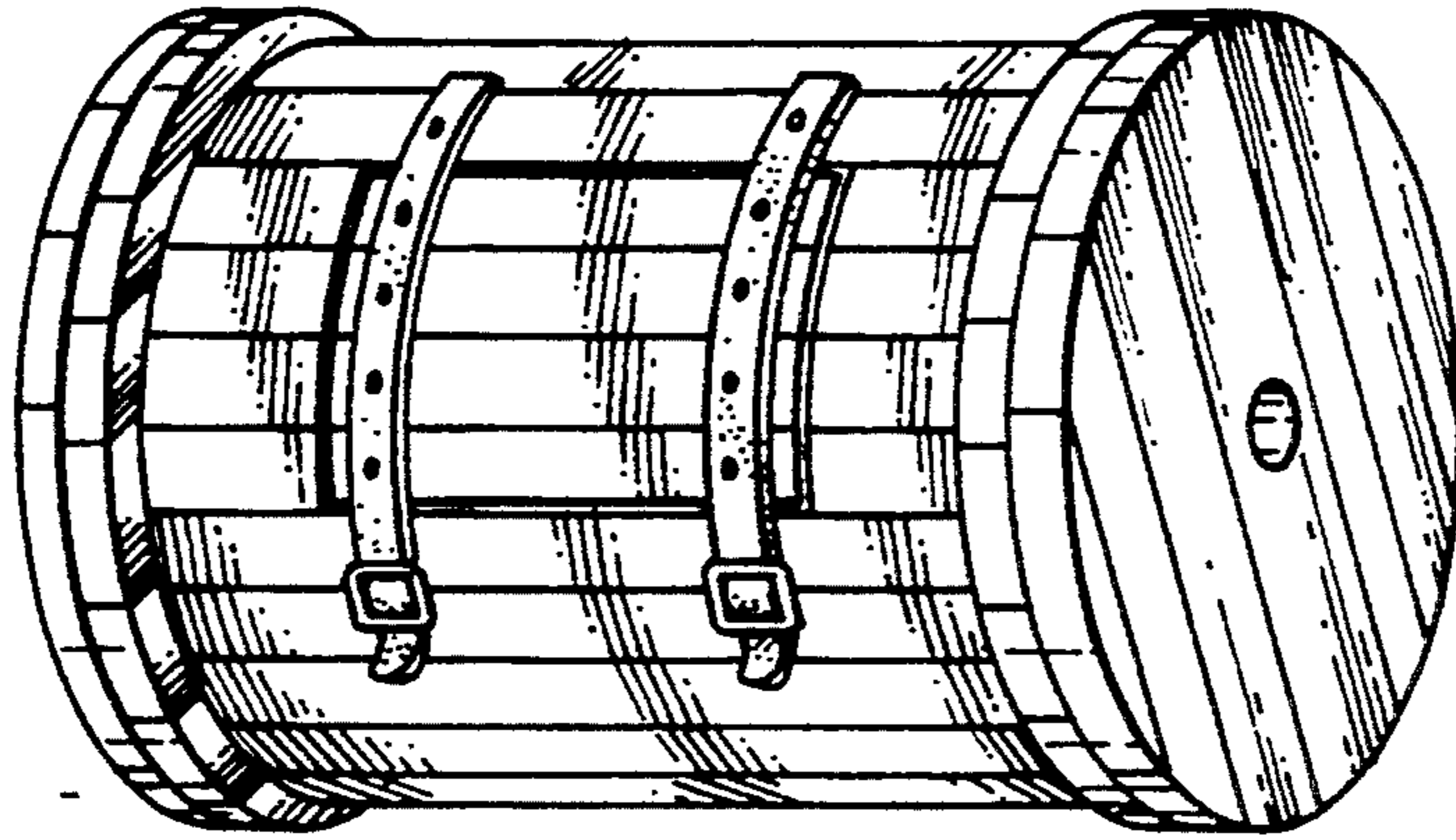


FIG. 1

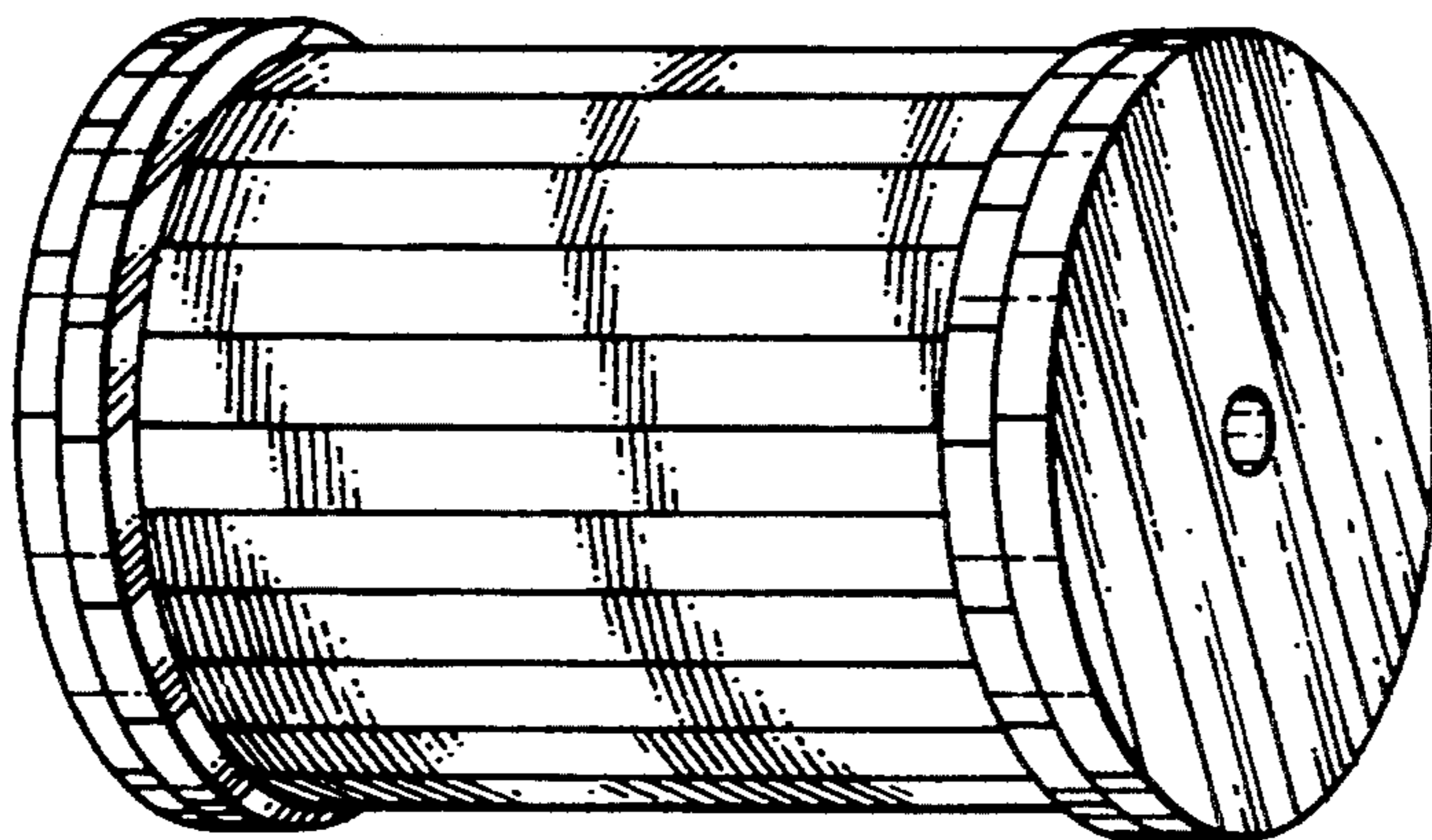


FIG. 2

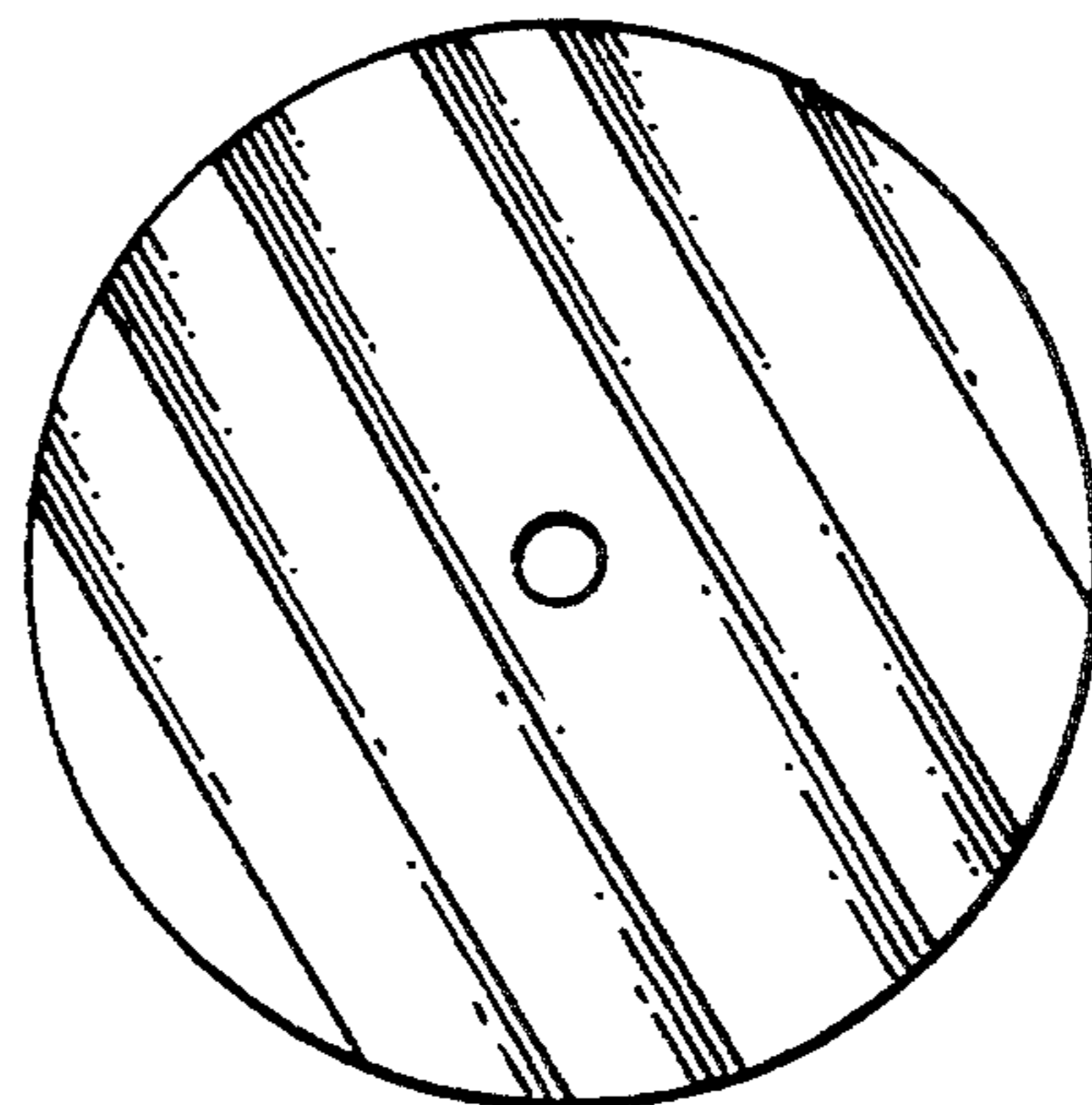


FIG. 3

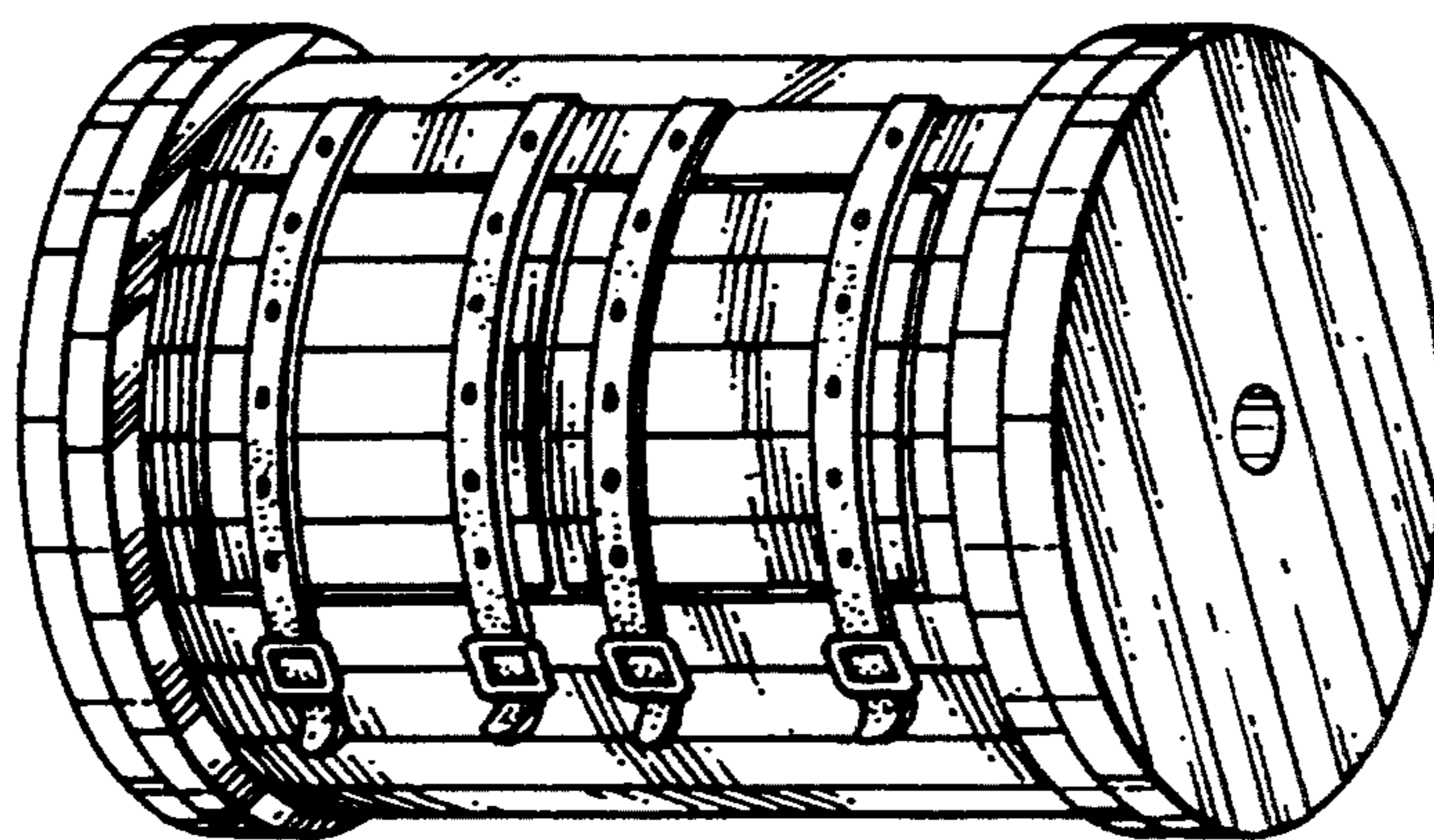


FIG. 4

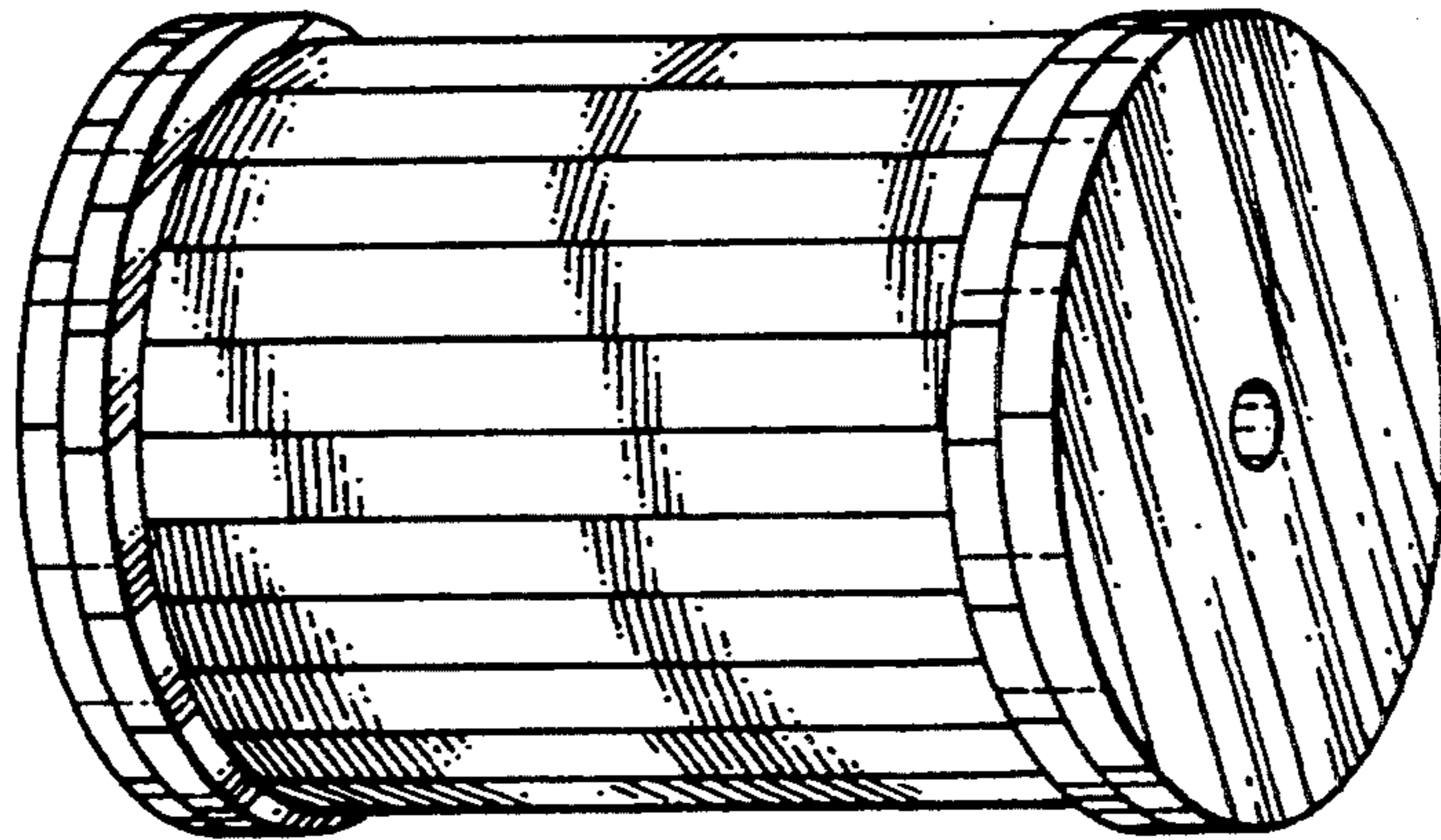


FIG. 5

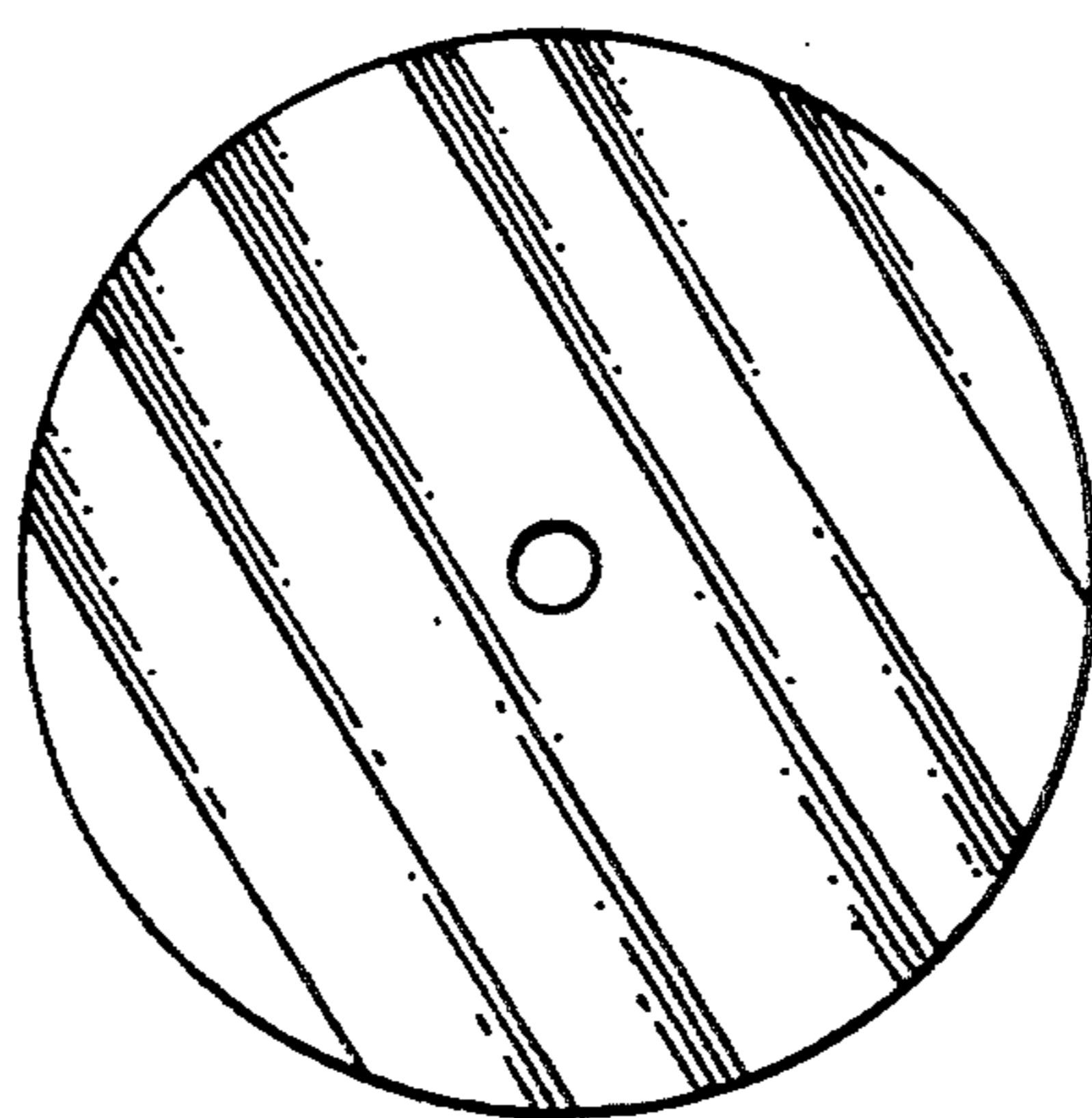


FIG. 6