



US00D357777S

United States Patent [19]

[11] Patent Number: **Des. 357,777**

Bray

[45] Date of Patent: **** Apr. 25, 1995**

[54] **SPORTS EQUIPMENT DRYING RACK**

[76] Inventor: **David Bray**, 76 Lakhota Cres. W.,
Lethbridge Alberta, Canada, T1K
6H7

[**] Term: **14 Years**

[21] Appl. No.: **18,829**

[22] Filed: **Feb. 16, 1994**

[52] U.S. Cl. **D32/58**

[58] Field of Search **D32/58-60;**
211/86-87, 89, 96, 99-100, 105.1, 123; **D6/513,**
315, 462

D. 275,437	9/1984	Mize	D6/315
D. 342,834	1/1994	Lorenzana	D6/315
2,209,953	8/1940	Youngquist	211/89
5,294,005	3/1994	Hedges	211/87

Primary Examiner—Wallace R. Burke
Assistant Examiner—Robin V. Taylor
Attorney, Agent, or Firm—Terry M. Gernstein

[57] CLAIM

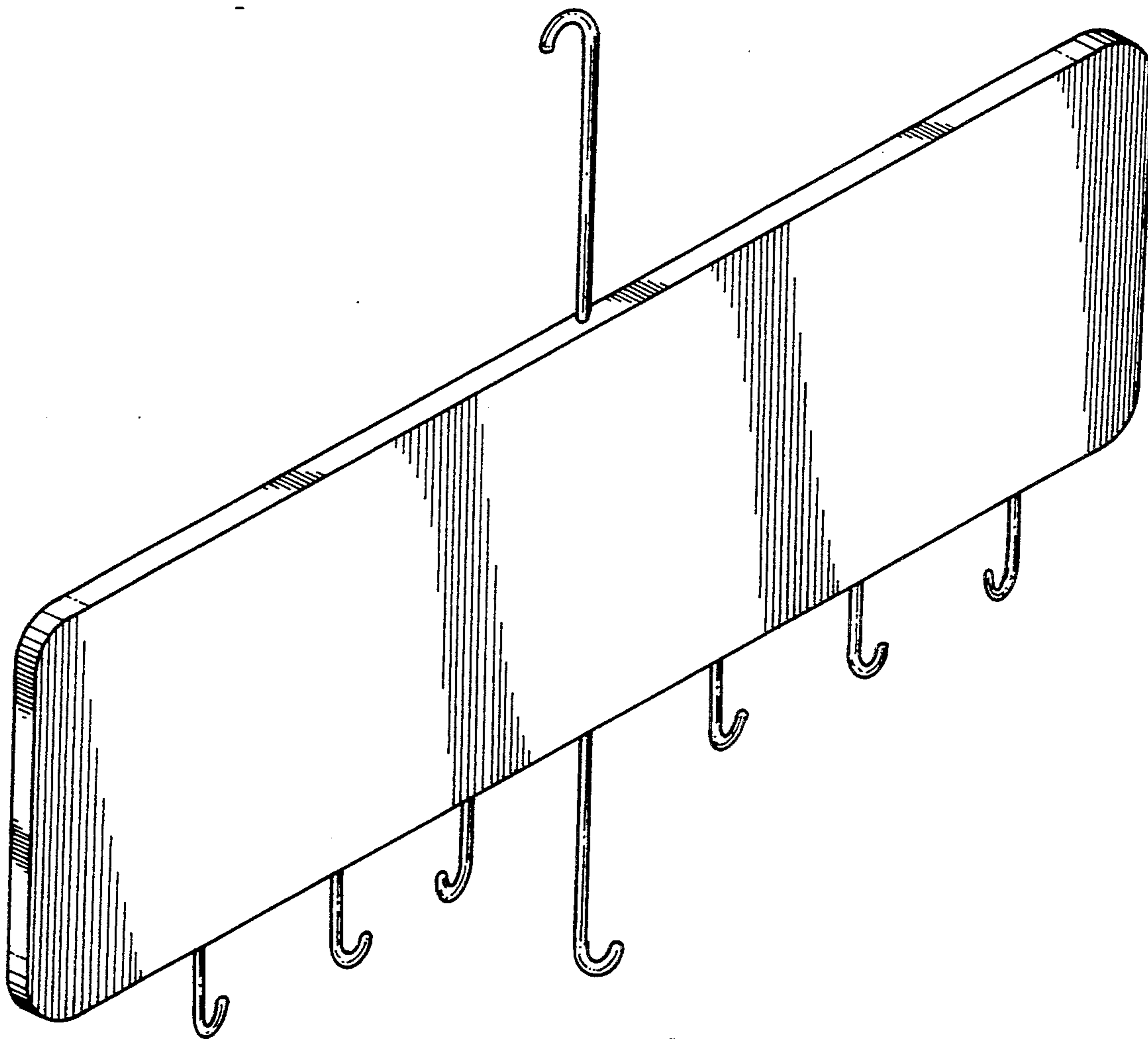
The ornamental design for a sports equipment drying rack, as shown and described.

DESCRIPTION

FIG. 1 is a front, top and side perspective view of a sports equipment drying rack showing my new design; FIG. 2 is a front elevational view thereof; FIG. 3 is a rear elevational view thereof; FIG. 4 is a side elevational view thereof, the side opposite being a mirror image of the side shown in FIG. 4; FIG. 5 is a top plan view thereof; and, FIG. 6 is a bottom plan view thereof.

[56] References Cited U.S. PATENT DOCUMENTS

D. 137,159	2/1944	Borah .	
D. 209,434	11/1967	Jamison	D6/315
D. 211,370	6/1968	Morrison .	
D. 237,142	10/1975	Barnes .	



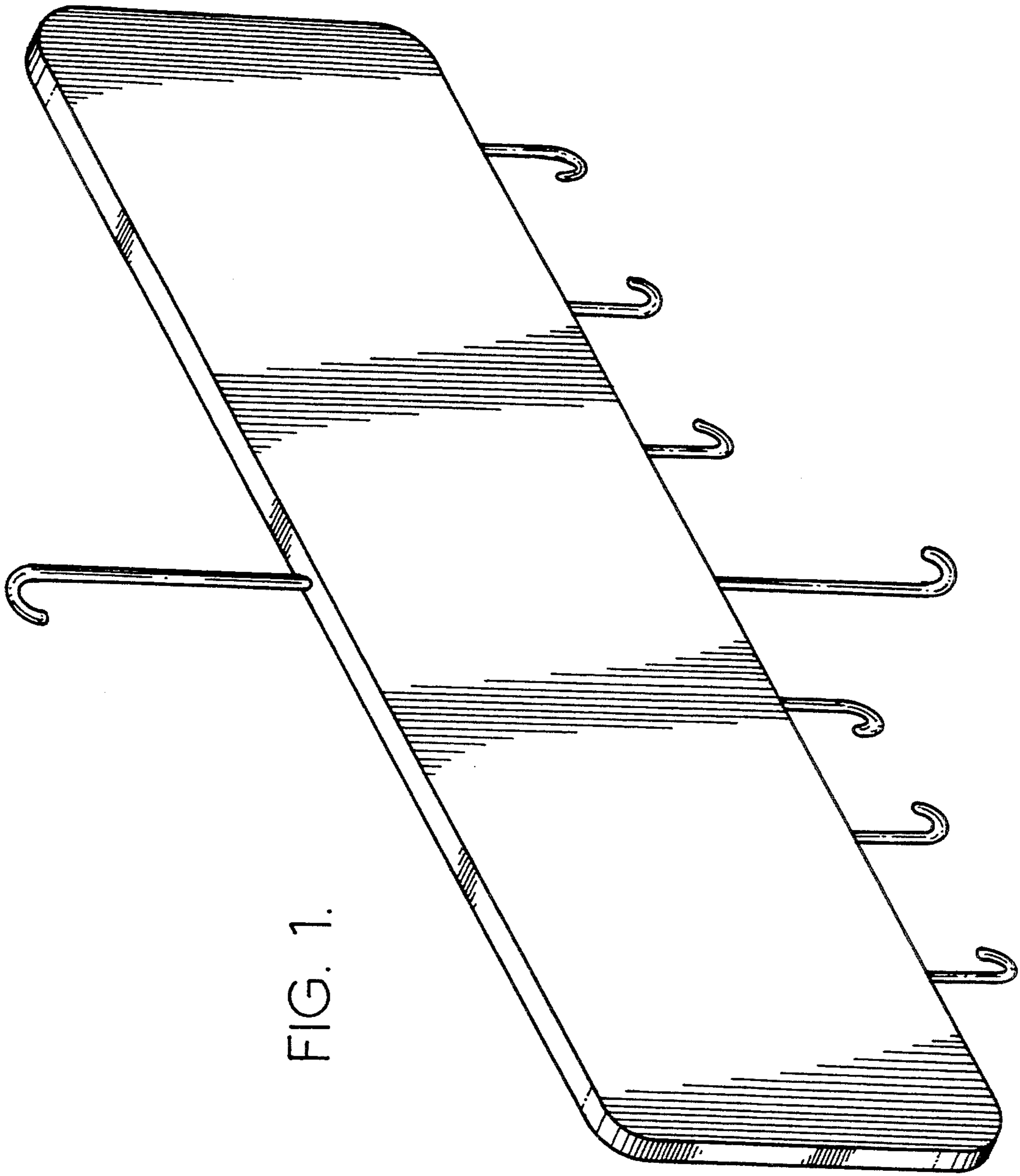


FIG. 1.

FIG. 2.

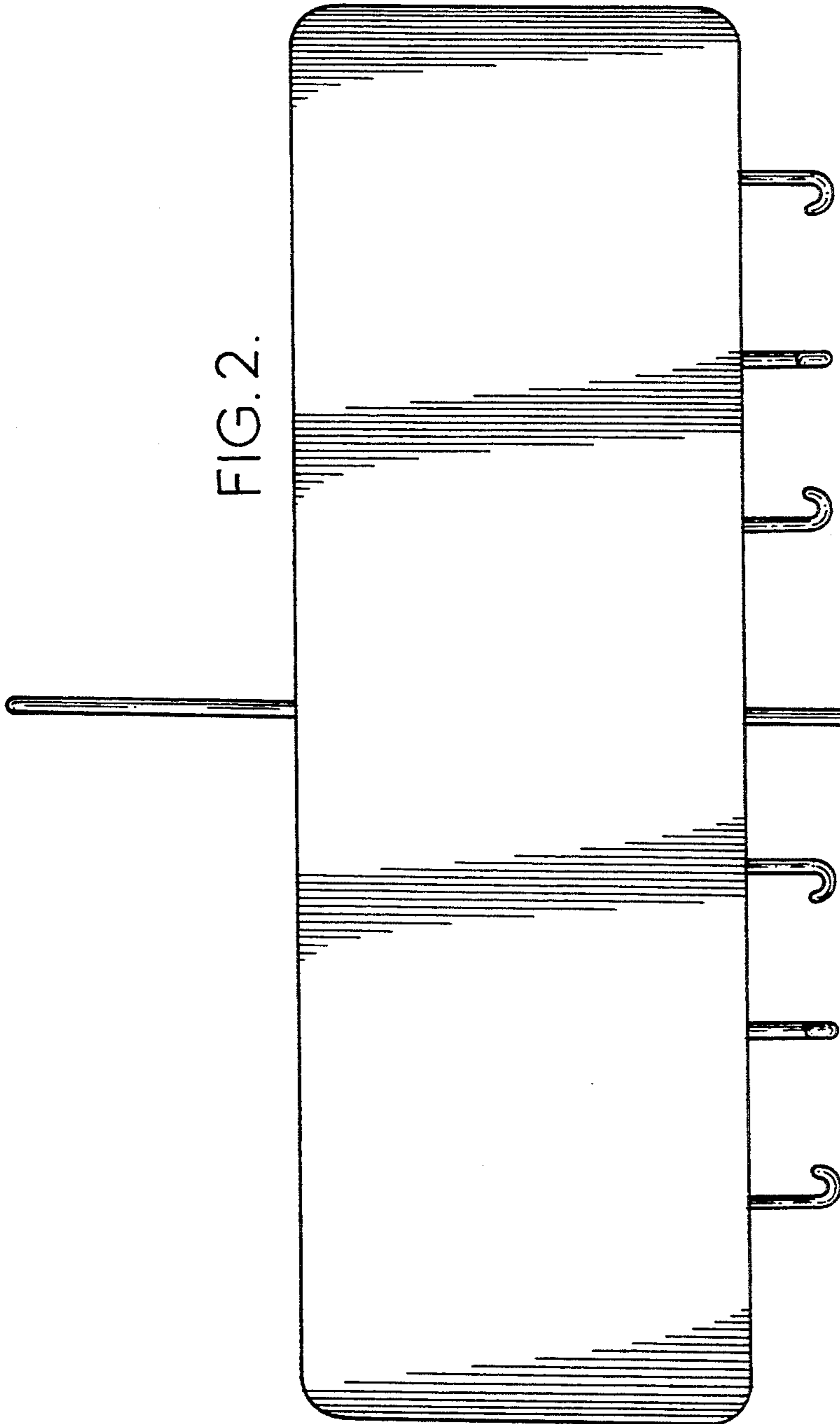


FIG. 5.

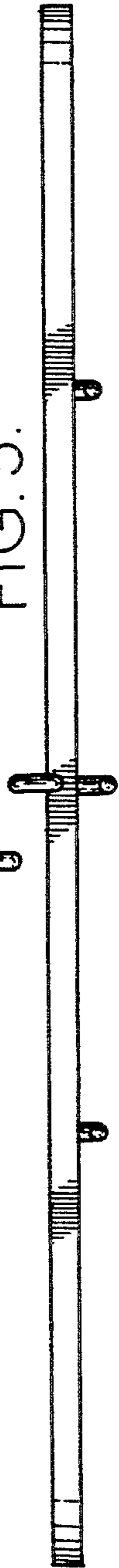




FIG. 4.

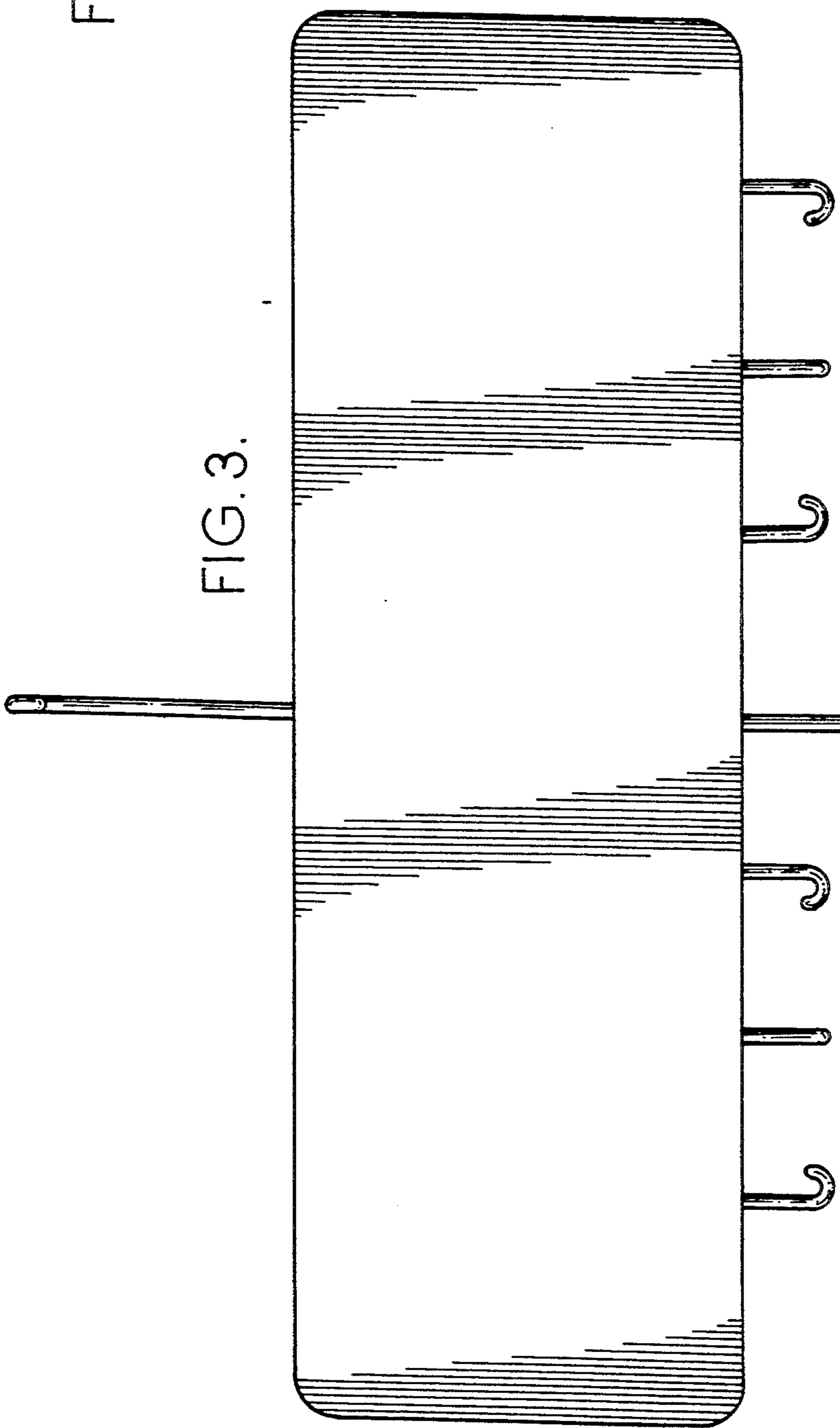


FIG. 3.

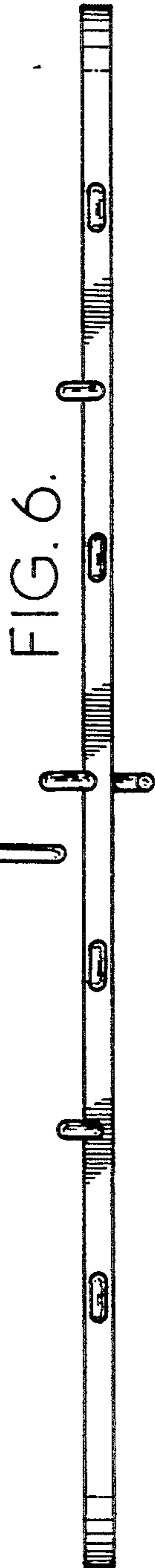


FIG. 6.