



US00D357775S

United States Patent [19]

[11] Patent Number: **Des. 357,775**

Panchuk

[45] Date of Patent: **** Apr. 25, 1995**

[54] **PAINT ROLLER CLEANER SET FOR ATTACHMENT TO A PAINT CAN**

4,835,812 6/1989 Su 15/105
4,982,471 1/1991 Bannan 15/105

[76] Inventor: **William Panchuk**, 4666 W. Walton Blvd. P.O. Box 290217, Waterford, Mich. 48329

OTHER PUBLICATIONS

Red Devil Catalogue # 37, Jun./1987, p. 6, Item # 4251. Scraping Tools.

[**] Term: **14 Years**

Primary Examiner—Susan J. Lucas
Assistant Examiner—Cynthia E. Ramirez
Attorney, Agent, or Firm—Terry M. Gernstein

[21] Appl. No.: **6,286**

[57] CLAIM

[22] Filed: **Mar. 25, 1993**

[52] U.S. Cl. **D32/35**

[58] Field of Search **D32/35, 53, 53.1, 54; D9/435, 443; 15/236.03, 236.01**

The ornamental design for a paint roller cleaner set for attachment to a paint can, as shown and described.

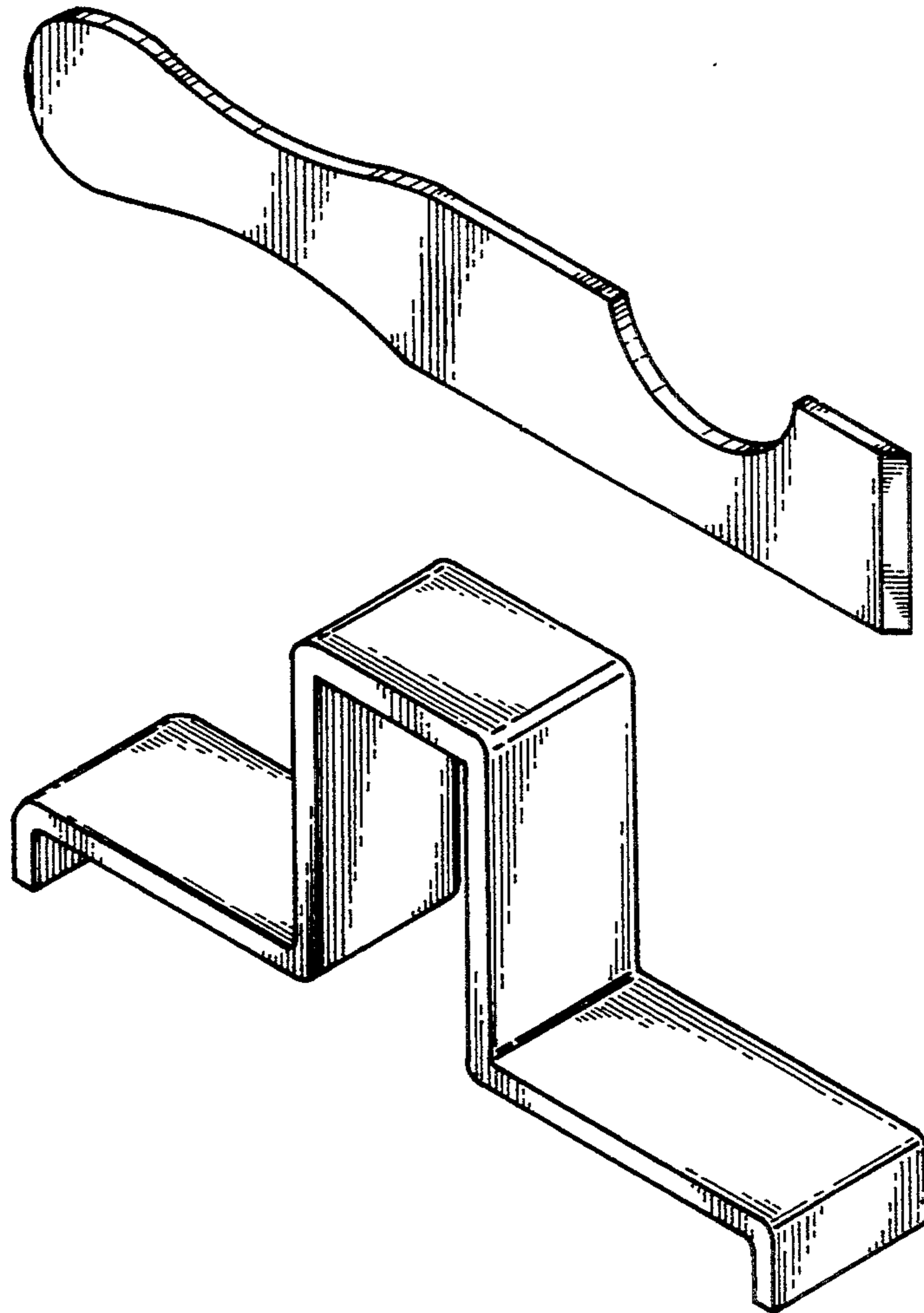
DESCRIPTION

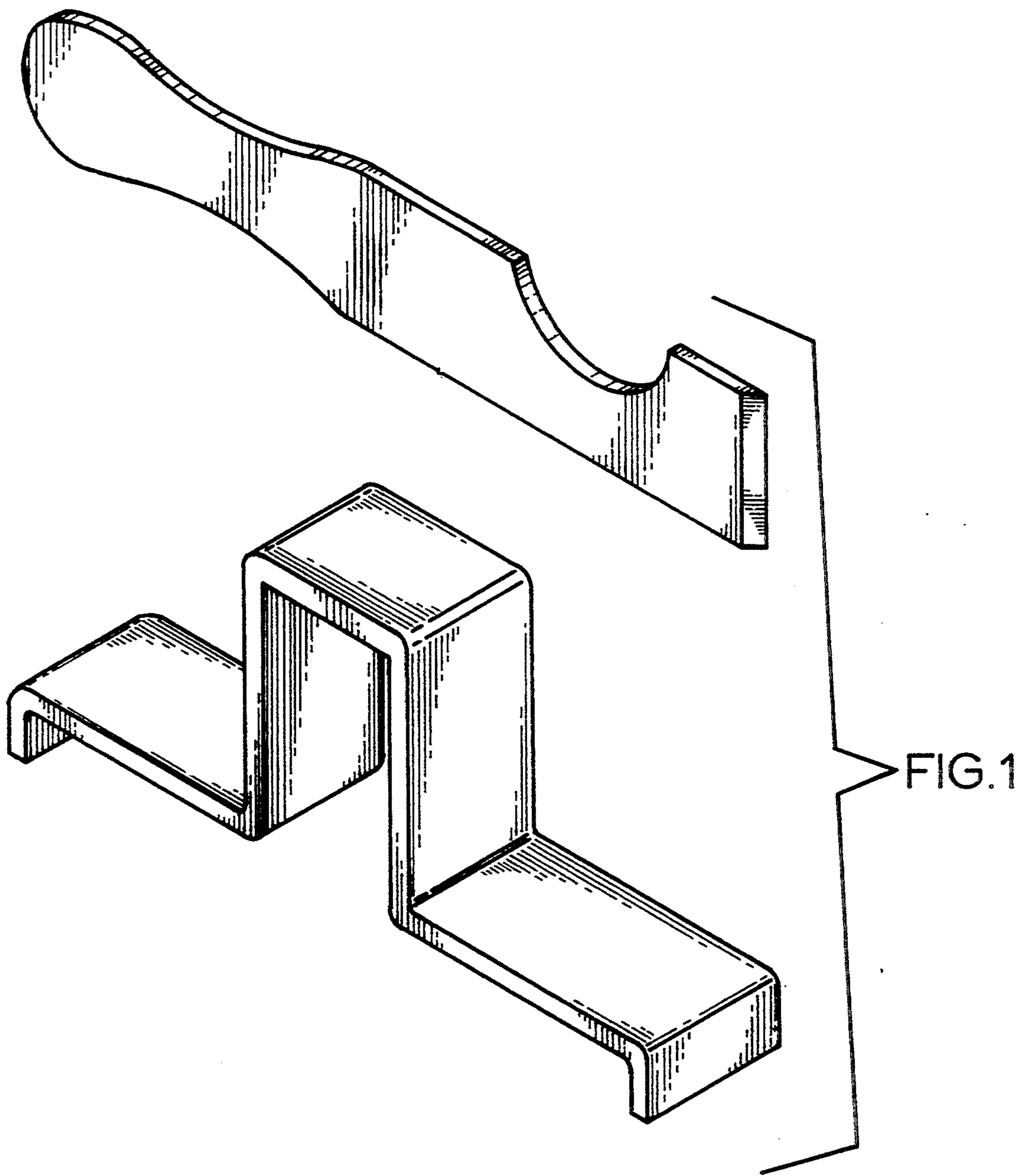
[56] References Cited

U.S. PATENT DOCUMENTS

D. 181,903	1/1958	Dreyling et al.	D32/49
D. 265,940	8/1982	Olsson	D32/46
2,852,144	9/1958	Reno	D32/54 X
2,919,828	1/1960	Lemke	D32/54 X
2,921,330	1/1960	Prytikin	D32/54 X
3,373,456	3/1968	Dalton	15/236.03 X
4,553,279	11/1985	Gassaew	15/105

FIG. 1 is an exploded front, top and side perspective view of the paint roller cleaner set for attachment to a paint can showing my new design;
FIG. 2 is a front elevational view thereof;
FIG. 3 is a rear elevational view thereof;
FIG. 4 is a side elevational view thereof;
FIG. 5 is a side elevational view thereof;
FIG. 6 is a top plan view thereof; and,
FIG. 7 is a bottom plan view thereof.





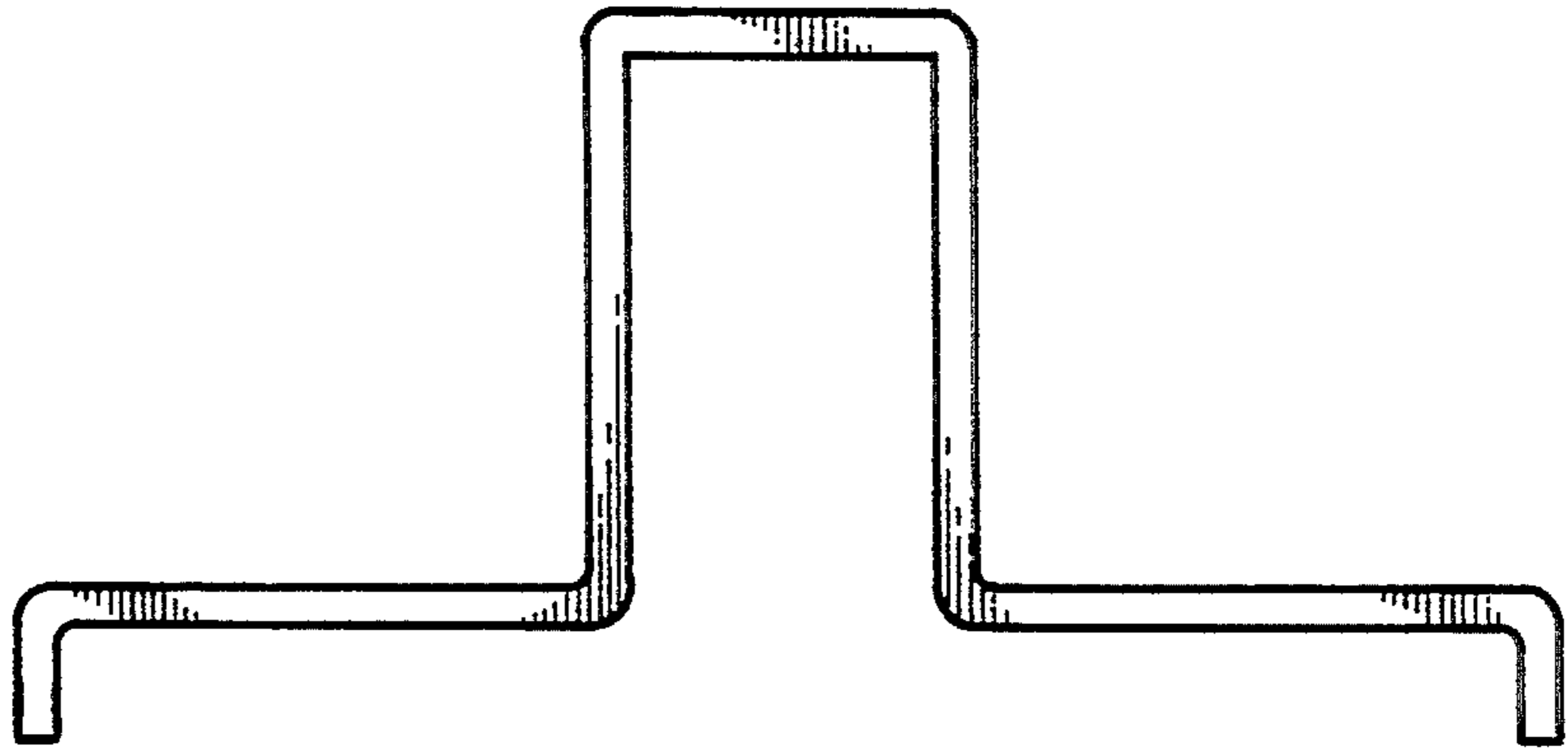
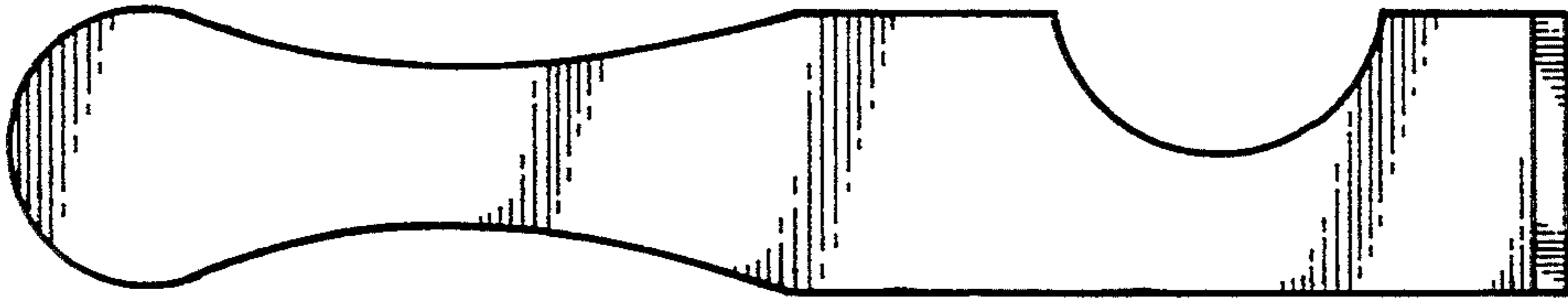


FIG. 2

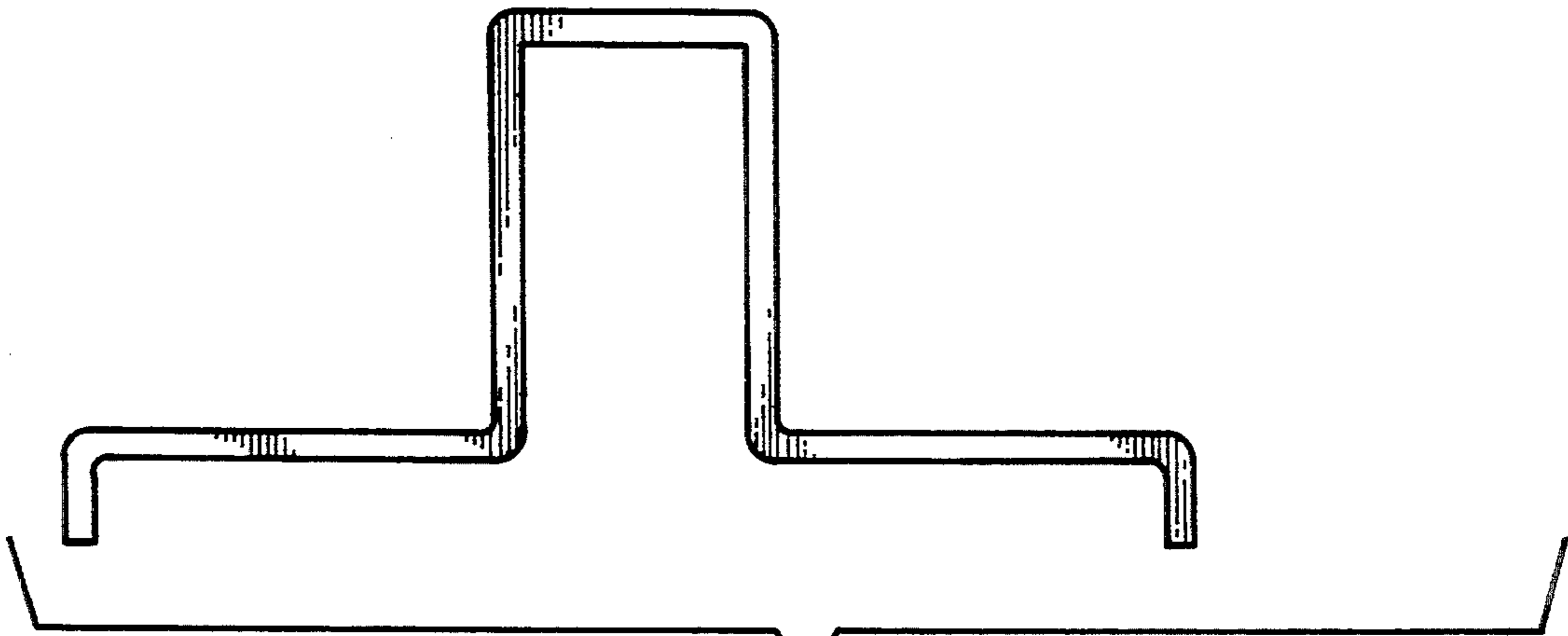
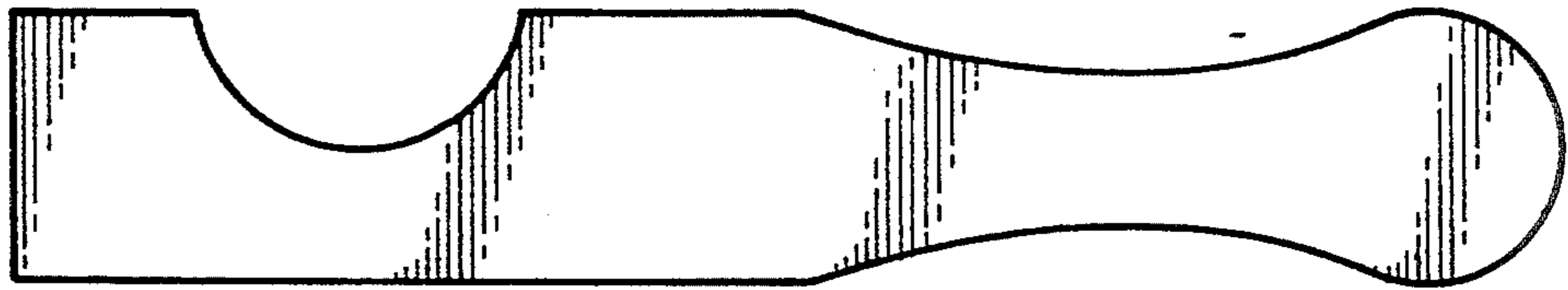


FIG. 3

