



US00D357771S

United States Patent [19]

Townsend, III et al.

[11] Patent Number: **Des. 357,771**

[45] Date of Patent: **** Apr. 25, 1995**

[54] **ANTI-BIRD PERCHING STRUCTURE**

[76] Inventors: **Charles E. Townsend, III**, 19 Nottingham Ct., Brentwood, Calif. 94513; **Charles E. Townsend, Jr.**, 11 Ranch Rd., Orinda, Calif. 94563

[**] Term: **14 Years**

[21] Appl. No.: **916,237**

[22] Filed: **Jul. 17, 1992**

[52] U.S. Cl. **D30/199**; 52/101; 119/903; 256/11

[58] Field of Search 119/903, 26, 52.3, 81, 119/57.8, 72, 57.9, 63, 74; D30/119, 199; D 25/1; 52/101; 116/22 A; D22/119, 125, 199; 256/11; D12/317

[56] **References Cited**

U.S. PATENT DOCUMENTS

D. 303,225	9/1989	Niebling, Sr.	D22/119
D. 328,806	8/1992	Tucker et al.	D30/199
365,672	6/1887	Cram	119/903
511,701	12/1893	Jacobs	119/903
1,213,964	1/1917	Smith	119/903
1,462,751	7/1923	Huntington	119/903
1,685,663	9/1928	Austin	119/903
2,080,672	5/1937	Perrich	119/903
2,258,803	10/1941	Peles	256/11
2,308,893	1/1943	Pavloff et al.	52/101
2,456,731	12/1948	Peles	52/101
2,475,047	7/1949	Peles	52/101
2,887,730	5/1959	Bittner	256/11
2,888,716	6/1959	Kaufmann	52/101
2,938,243	5/1960	Peles	256/11
3,191,239	6/1965	Moore et al.	52/101
3,282,000	11/1966	Shaw et al.	52/101
3,407,550	10/1968	Shaw	256/11

3,611,651	10/1971	Carlson	52/101
4,185,581	1/1980	Tilton	116/22 A
4,262,169	4/1981	Lanton, Jr.	119/903
5,143,354	9/1992	Nolan	256/11

FOREIGN PATENT DOCUMENTS

615222	2/1961	Canada	52/101
0300936	7/1987	European Pat. Off.	D22/
0340108	11/1989	European Pat. Off.	52/101
2641304	7/1990	France	52/101
169872	4/1906	Germany	256/11
380265	1/1923	Germany	52/101
12130	of 1897	United Kingdom	256/11

OTHER PUBLICATIONS

Popular Mechanics; Dec. 1932; p. 942; Barbed Wire Wrap.

Nixalite Company of America Brochure; Sweet's Cat.; Spring-Tempered Bird/Animal Guard for B

Primary Examiner—Cathy Anne MacCormac

Attorney, Agent, or Firm—Charles E. Townsend, Jr.

[57] **CLAIM**

The ornamental design for an anti-bird perching structure, as shown and described.

DESCRIPTION

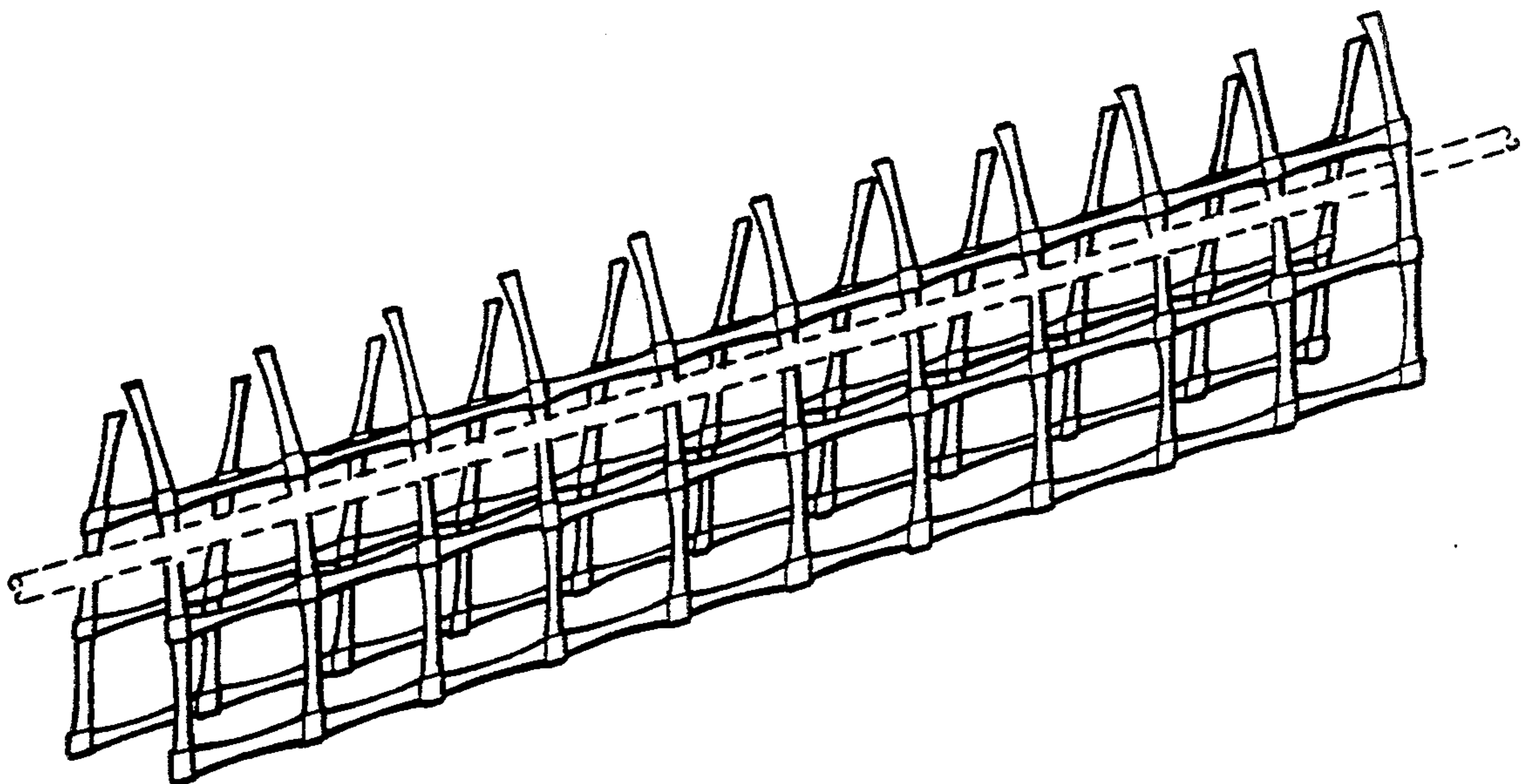
FIG. 1 is a perspective view of an anti-bird perching structure showing our new design, the broken line showing of a cable/railing is for illustrative purposes only and forms no part of the claimed design;

FIG. 2 is a top plan view thereof;

FIG. 3 is a side elevational view thereof, the opposite side being a mirror image of the side shown;

FIG. 4 is an end elevational view thereof, the opposite end being a mirror image of the end shown; and,

FIG. 5 is a bottom plan view thereof.



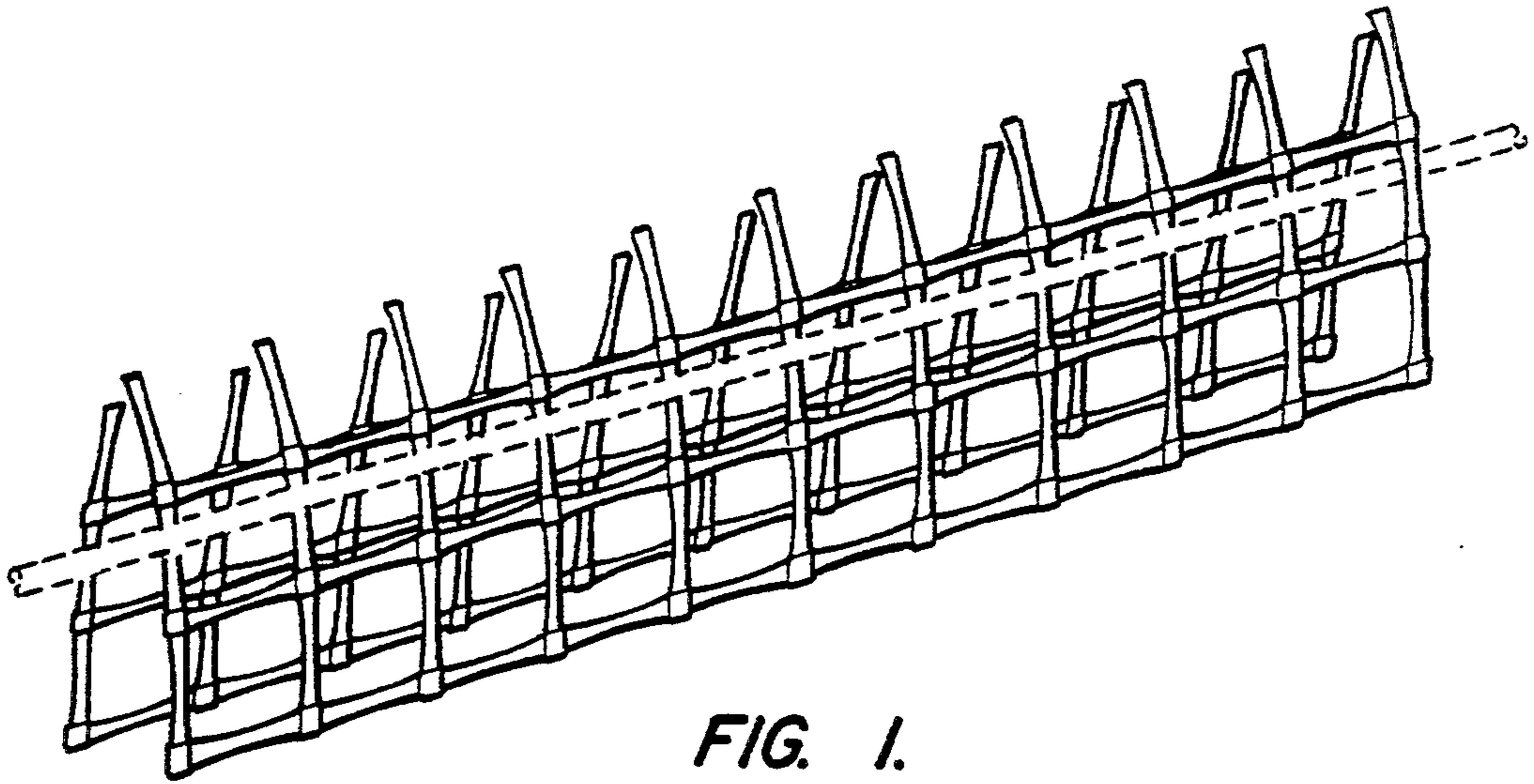


FIG. 1.

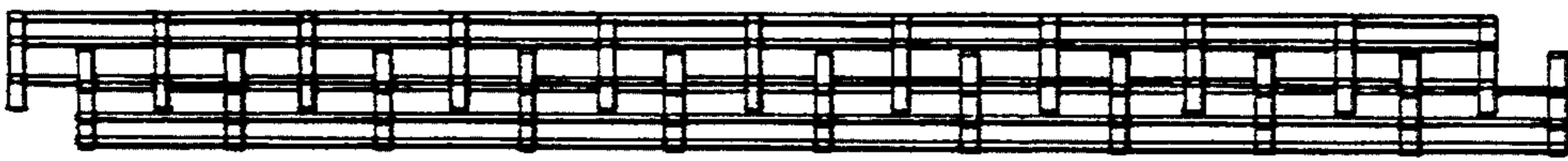


FIG. 2.

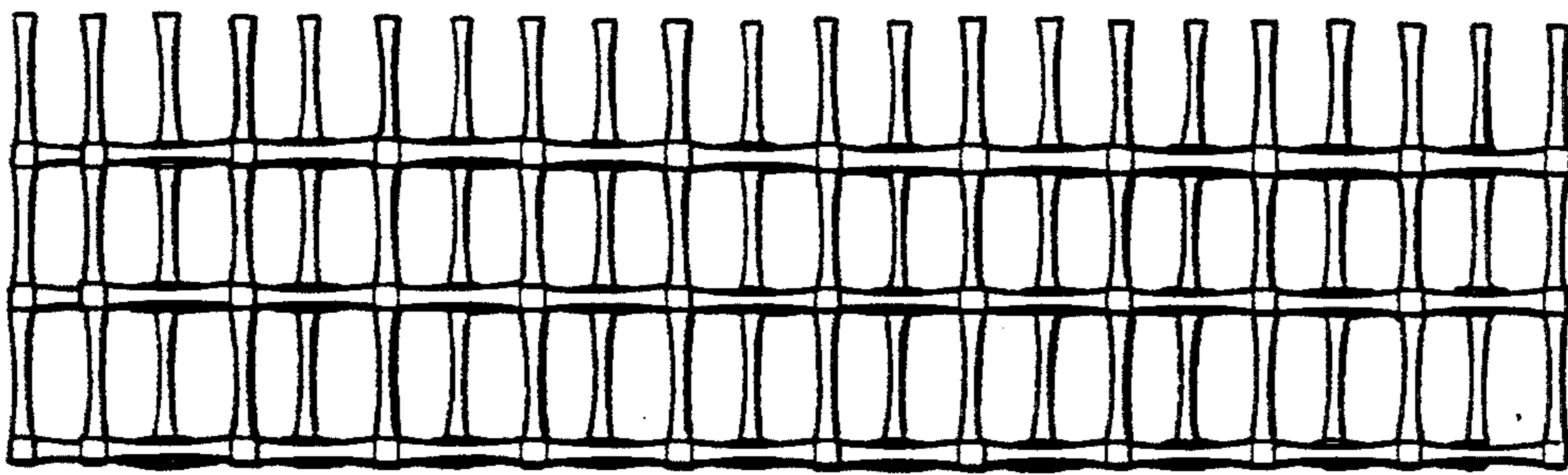


FIG. 3.



FIG. 4.



FIG. 5.