



US00D357767S

United States Patent [19] Schwarz

[11] Patent Number: **Des. 357,767**
[45] Date of Patent: **** Apr. 25, 1995**

[54] RAZOR

[76] Inventor: **Michael Schwarz, Schwarz**
Design/Michael Schwarz, Castroper
Str. 34, 4690 Herne 1, Germany

[**] Term: **14 Years**

[21] Appl. No.: **839,883**

[22] Filed: **Feb. 21, 1992**

[30] Foreign Application Priority Data

Aug. 23, 1991 [DE] Germany M 91 05 858.9

[52] U.S. Cl. **D28/45**

[58] Field of Search D28/44, 45; 30/30, 32,
30/34.05, 37.1, 51-55, 40, 40.2, 331, 337

[56] References Cited

U.S. PATENT DOCUMENTS

237,174	2/1881	Durand et al.	30/54
D. 286,327	10/1986	Halm	D28/45
D. 302,344	7/1989	Baker	D28/45
610,770	9/1898	Schnabel	30/337 X
1,262,073	4/1918	McCain	30/55 X
2,192,362	3/1940	Meflo	30/53 X
4,027,386	6/1977	Spinosa et al.	30/53

FOREIGN PATENT DOCUMENTS

2628004 9/1989 France 30/32

Primary Examiner—Theodore M. Shooman
Assistant Examiner—C. Tuttle
Attorney, Agent, or Firm—Robert W. Becker &
Associates

[57] CLAIM

The ornamental design for a razor, as shown and described.

DESCRIPTION

FIG. 1 a top view of my new razor design;
FIG. 2 is a front end elevational view thereof;
FIG. 3 is a right side elevational view thereof, the side opposite being a mirror image of the side shown;
FIG. 4 is a rear end elevational view thereof;
FIG. 5 a bottom view thereof;
FIG. 6 a partially open perspective view thereof;
FIG. 7 is an exploded perspective view shown with portions partially broken away and in section for clarity of illustration;
FIG. 8 is a front end elevational view of the blade head of FIGS. 6 and 7, shown separately for ease of illustration; and,
FIG. 9 is a bottom view of the blade head.

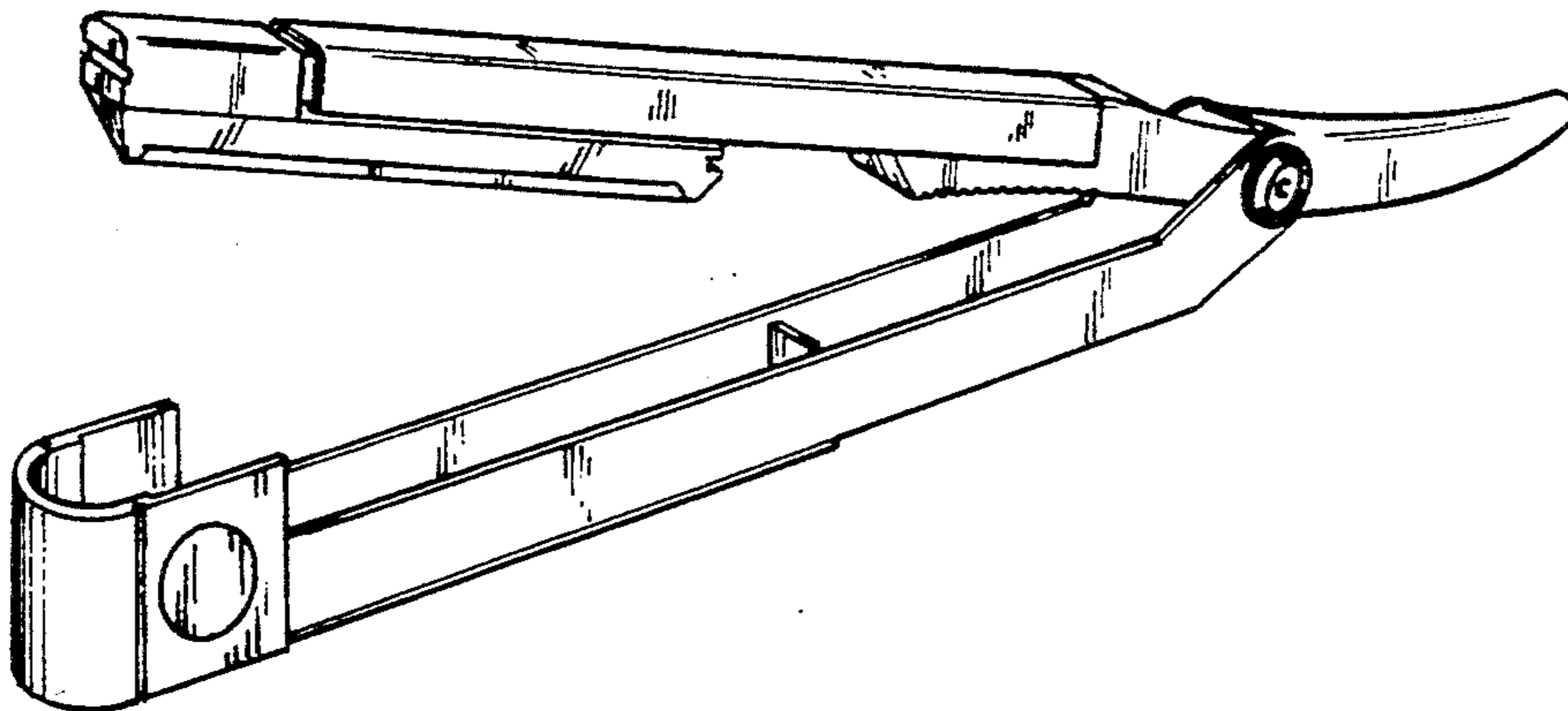




FIG-1



FIG-2

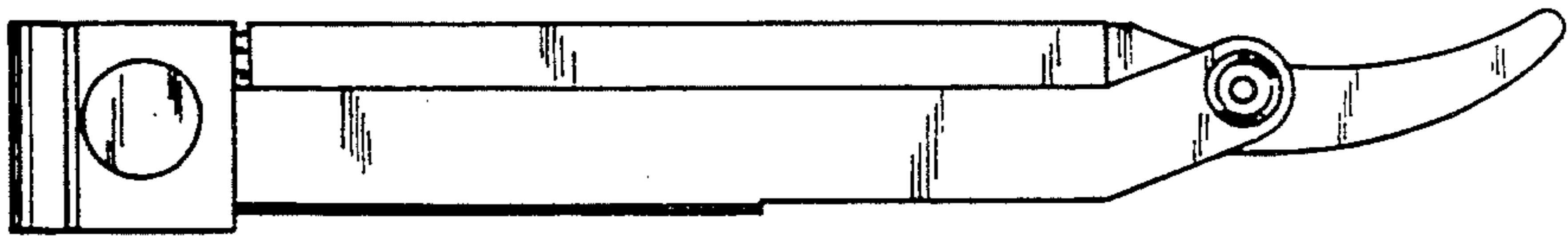


FIG-3

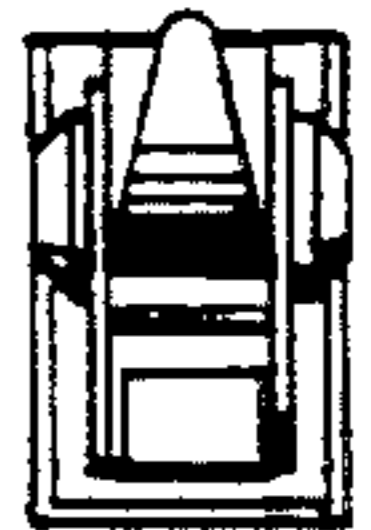


FIG-4



FIG-5



FIG-8



FIG-6



FIG-9

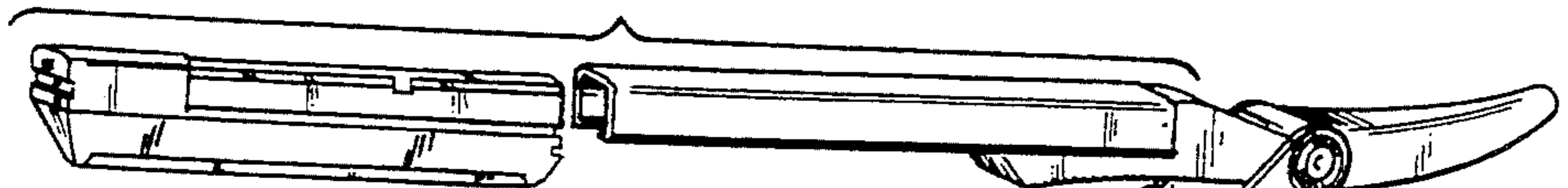


FIG-7

