



US00D357765S

United States Patent [19]

[11] Patent Number: **Des. 357,765**

Roden

[45] Date of Patent: **** Apr. 25, 1995**

[54] ASH TRAY

D. 318,744 7/1991 Watrav D27/106
873,052 12/1907 Knöchel 52/103 X
900,971 10/1908 Weber-Illig 52/103

[76] Inventor: **Brenda M. Roden**, Rte. 5, Box 8304,
Quinlan, Tex. 75474

[**] Term: **14 Years**

Primary Examiner—A. Hugo Word
Assistant Examiner—Monica A. Hannon
Attorney, Agent, or Firm—John E. Vandigriff

[21] Appl. No.: **19,796**

[57] **CLAIM**

[22] Filed: **Mar. 14, 1994**

The ornamental design for a ash tray, as shown and described.

[52] U.S. Cl. **D27/106; D27/102**

[58] Field of Search **D27/102, 106, 112, 113,
D27/134, 135; 131/231, 235.1, 240.1; D99/17,
18, 19, 24; 52/103, 128**

DESCRIPTION

[56] **References Cited**

U.S. PATENT DOCUMENTS

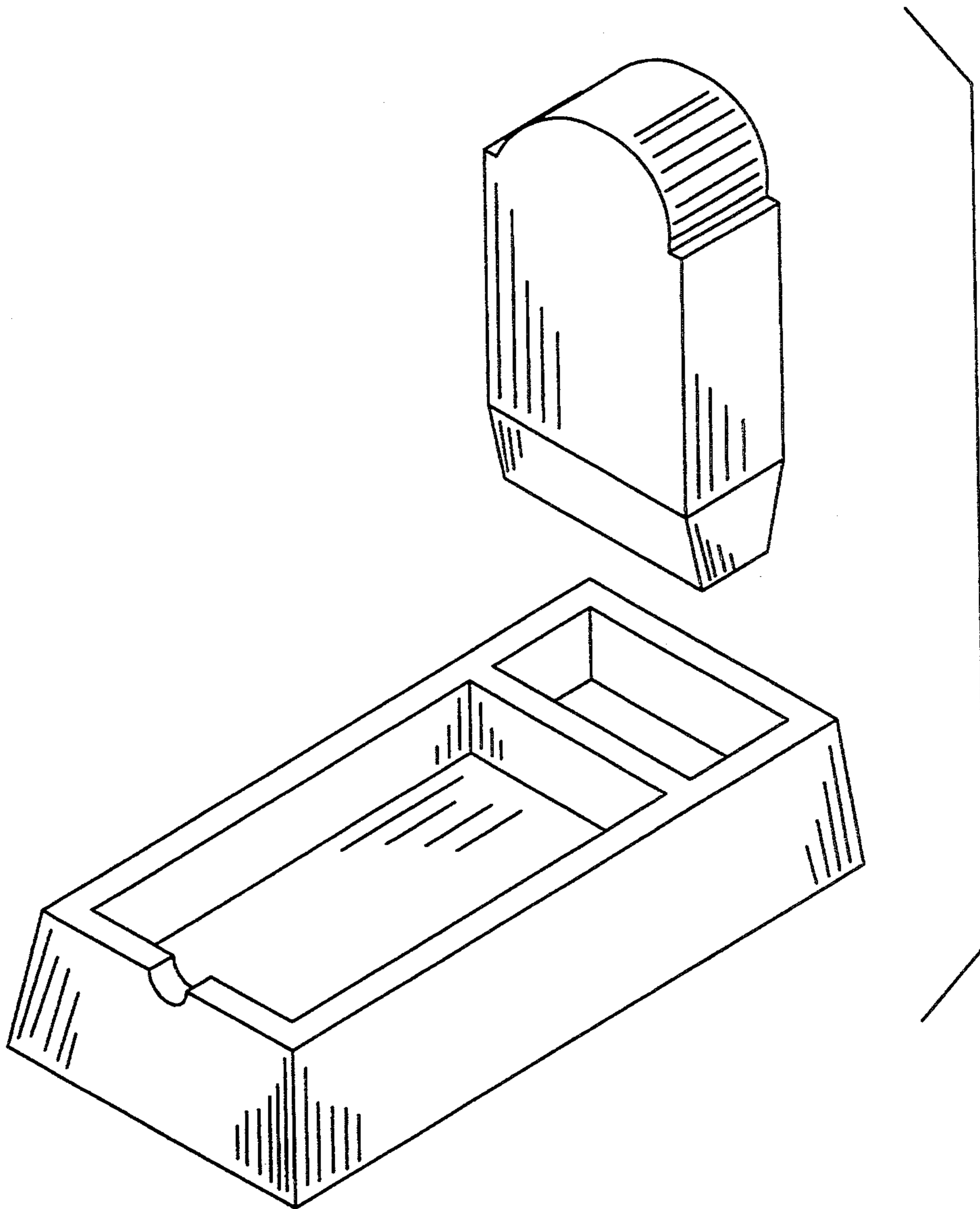
D. 200,383 2/1965 Gluck D27/106

FIG. 1 is an isometric view of the ash tray showing my new design;

FIG. 2 is a side elevational view of the new design;

FIG. 3 is a front elevational view of the new design; and,

FIG. 4 is a top view of the new design.



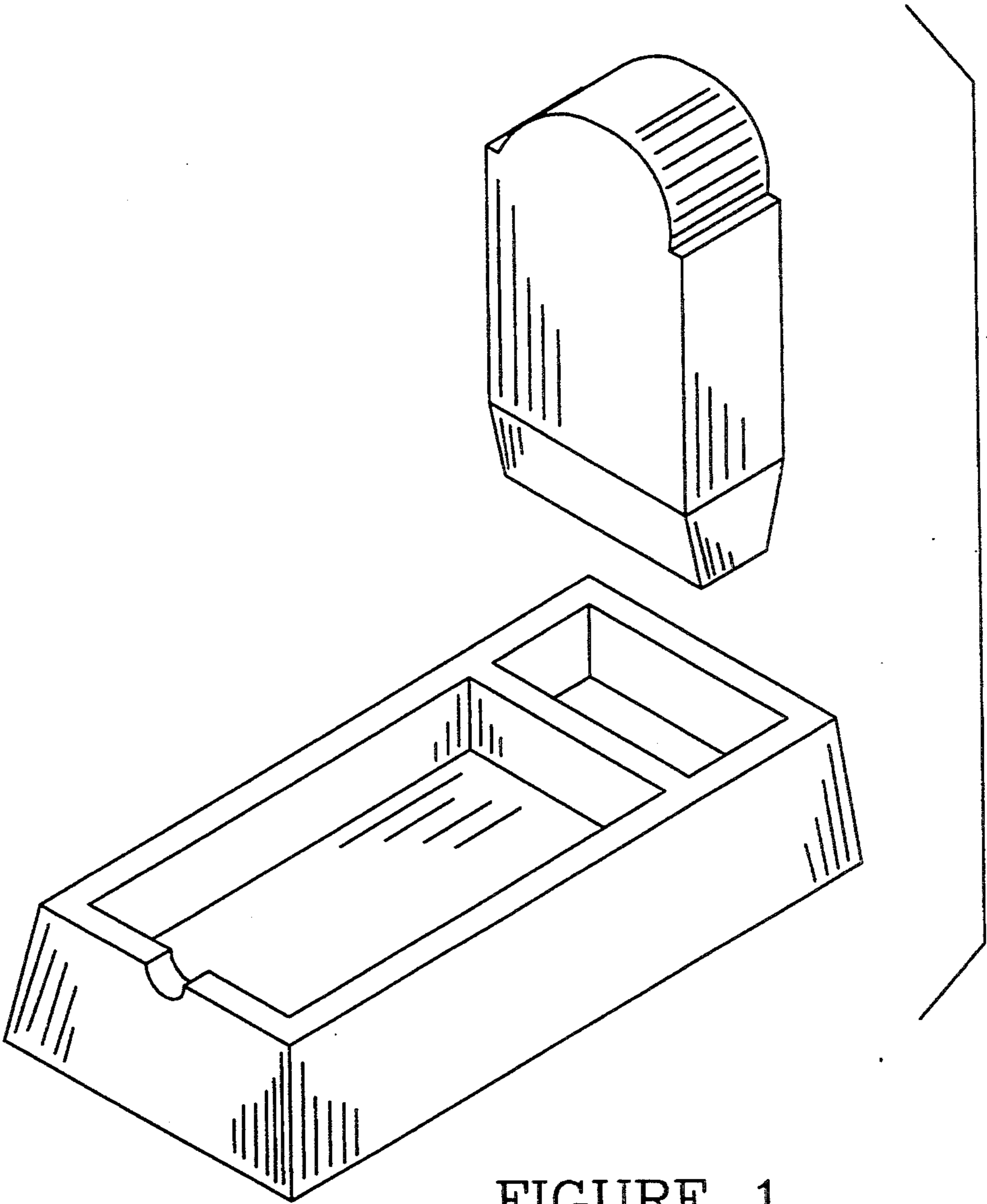


FIGURE 1

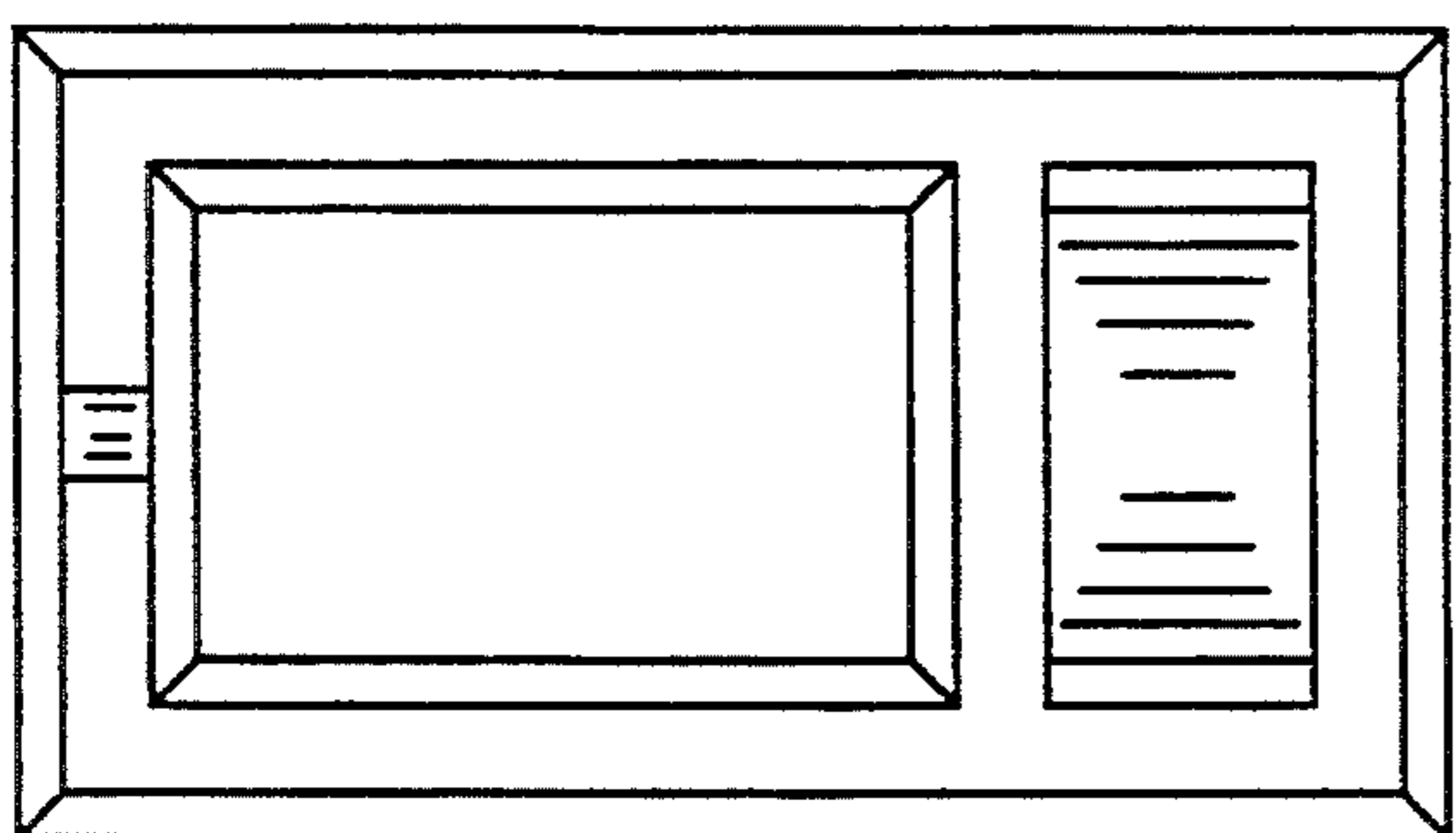


FIGURE 4

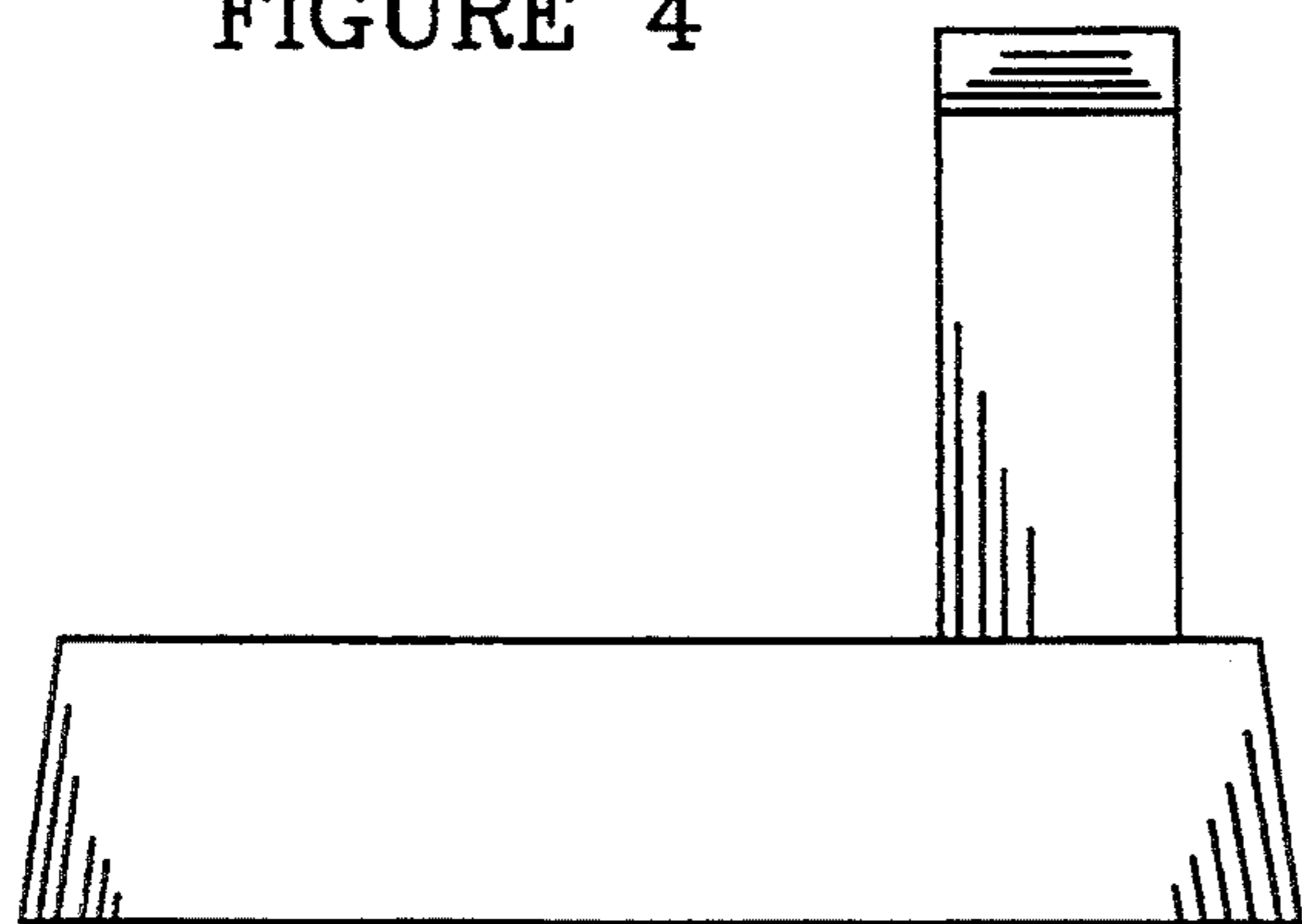


FIGURE 2

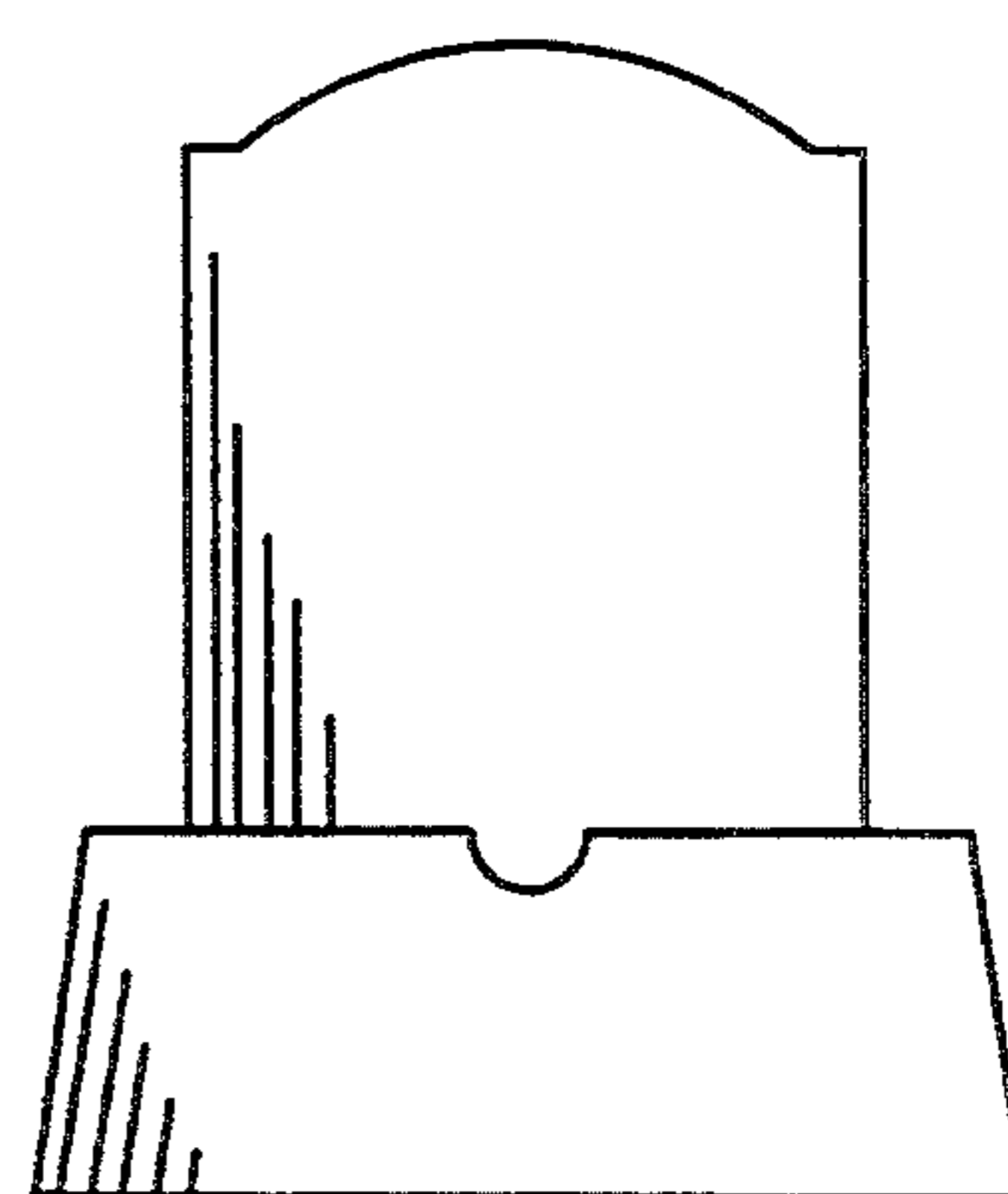


FIGURE 3