



US00D357761S

# United States Patent [19]

DeWinter

[11] Patent Number: **Des. 357,761**

[45] Date of Patent: **\*\* Apr. 25, 1995**

## [54] PIVOTING LIGHTING FIXTURE

[75] Inventor: **Koen DeWinter**, Beaconsfield, Canada

[73] Assignee: **Axis Lighting, Inc.**, Montreal, Canada

[\*\*] Term: **14 Years**

[21] Appl. No.: **17,712**

[22] Filed: **Jan. 19, 1994**

[52] U.S. Cl. .... **D26/65**

[58] Field of Search ..... D26/60, 61, 63, 64, D26/65, 66; 362/269, 275, 410, 414, 418, 419, 427

## [56] References Cited

### U.S. PATENT DOCUMENTS

D. 265,428	7/1982	Eickmeyer .....	D26/63
D. 344,603	2/1994	Krivatch .....	D26/63
1,389,013	8/1921	Schwartz .....	362/269
4,118,766	10/1978	Kredo .....	362/427

*Primary Examiner*—Susan J. Lucas  
*Attorney, Agent, or Firm*—Darby & Darby

## [57] CLAIM

The ornamental design for a pivoting lighting fixture, as shown and described.

## DESCRIPTION

FIG. 1 is a left side elevational view of my new design, the right side view being a mirror image thereof; FIG. 2 is a front elevational view thereof; FIG. 3 is a rear elevational view thereof; FIG. 4 is a top plan view thereof; and, FIG. 5 is a bottom plan view.

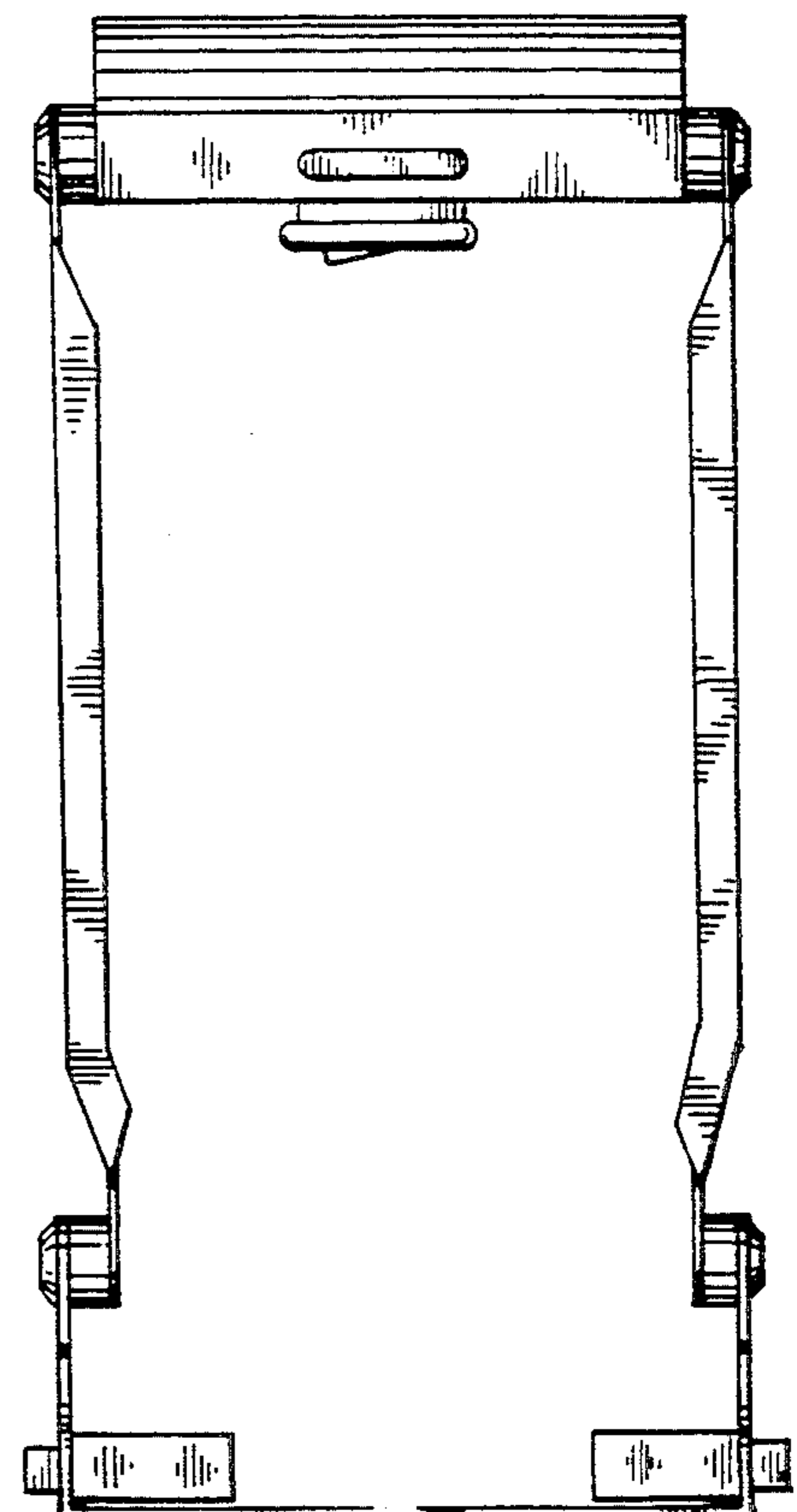
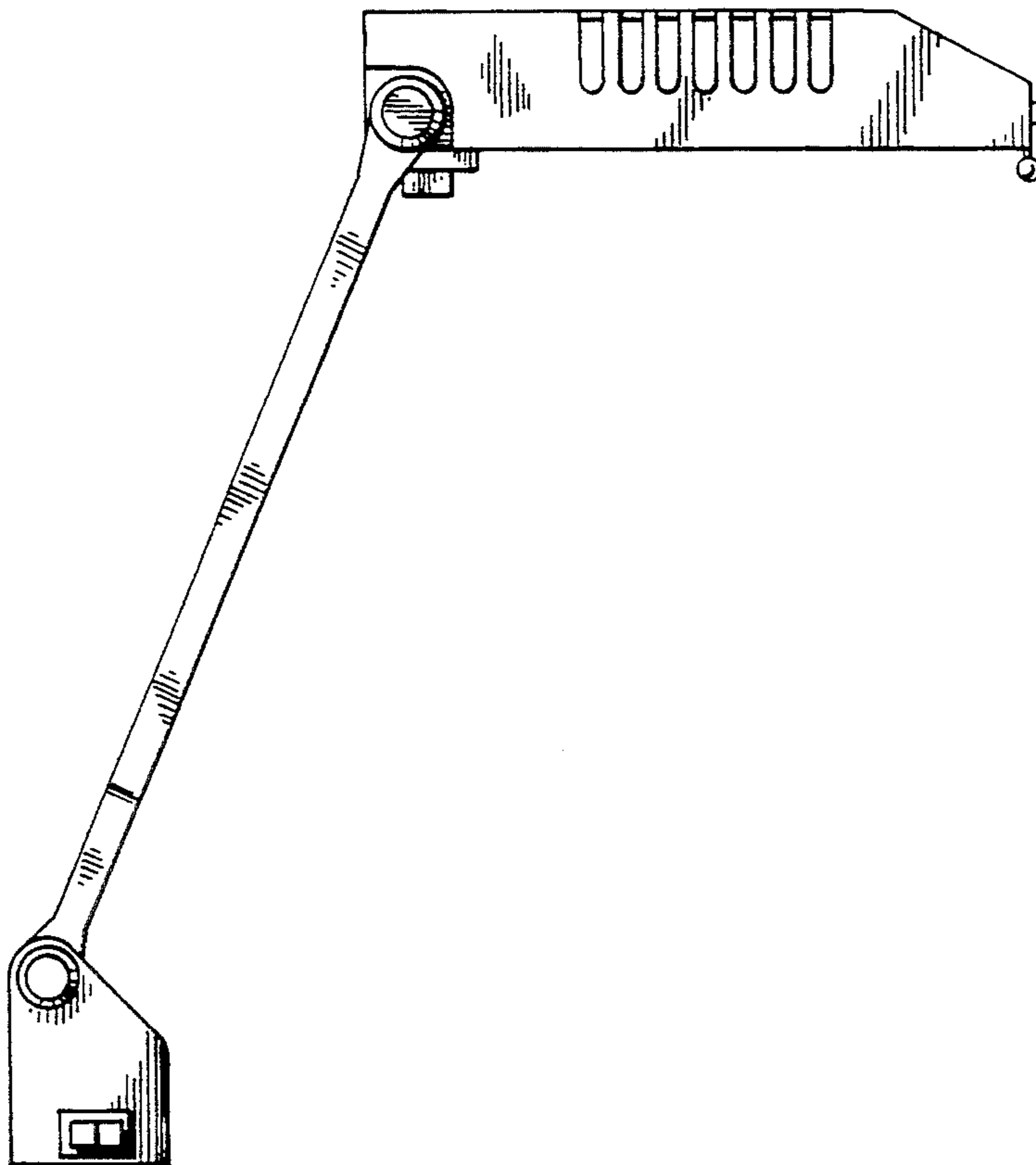


FIG. 1

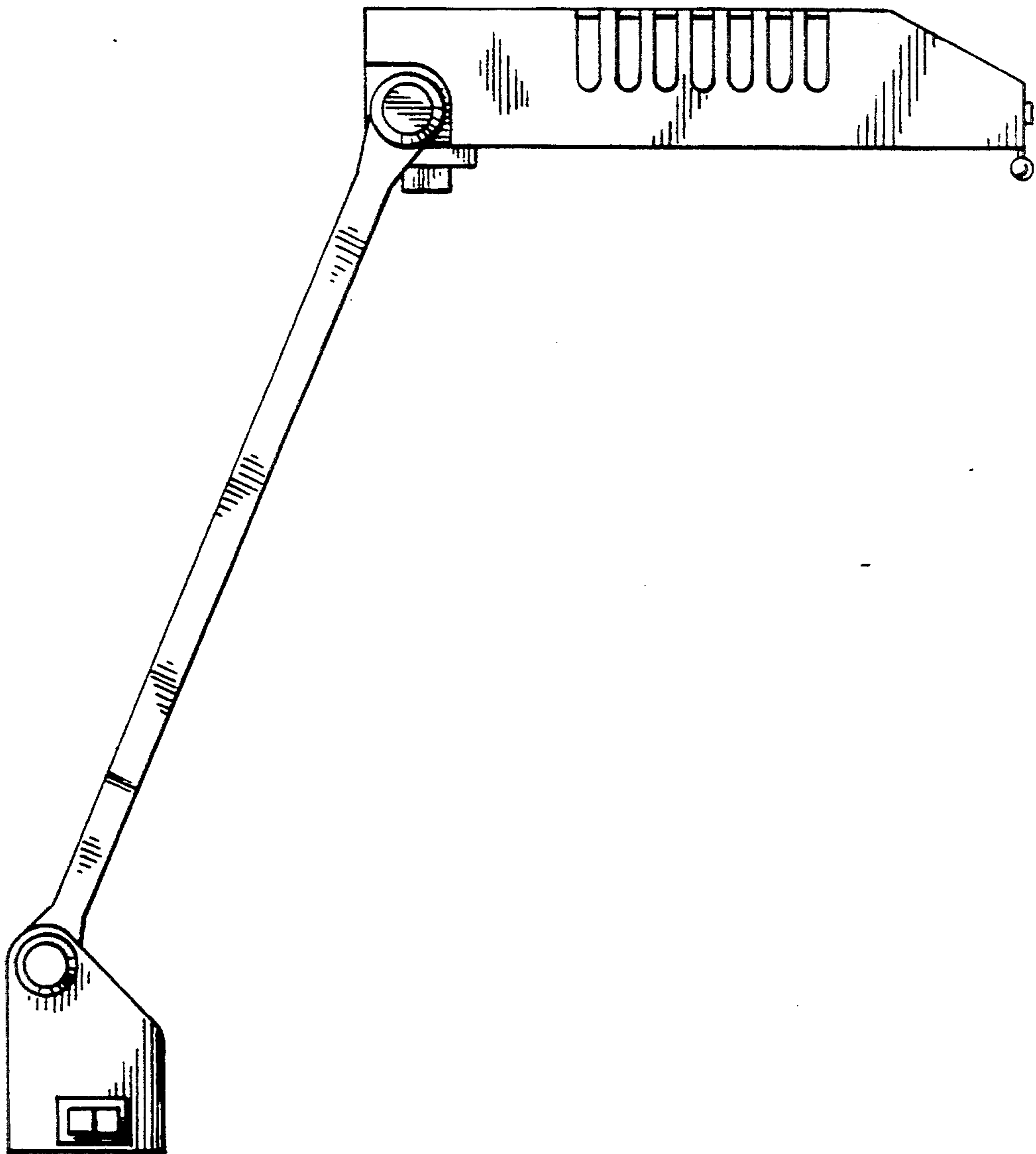


FIG. 2

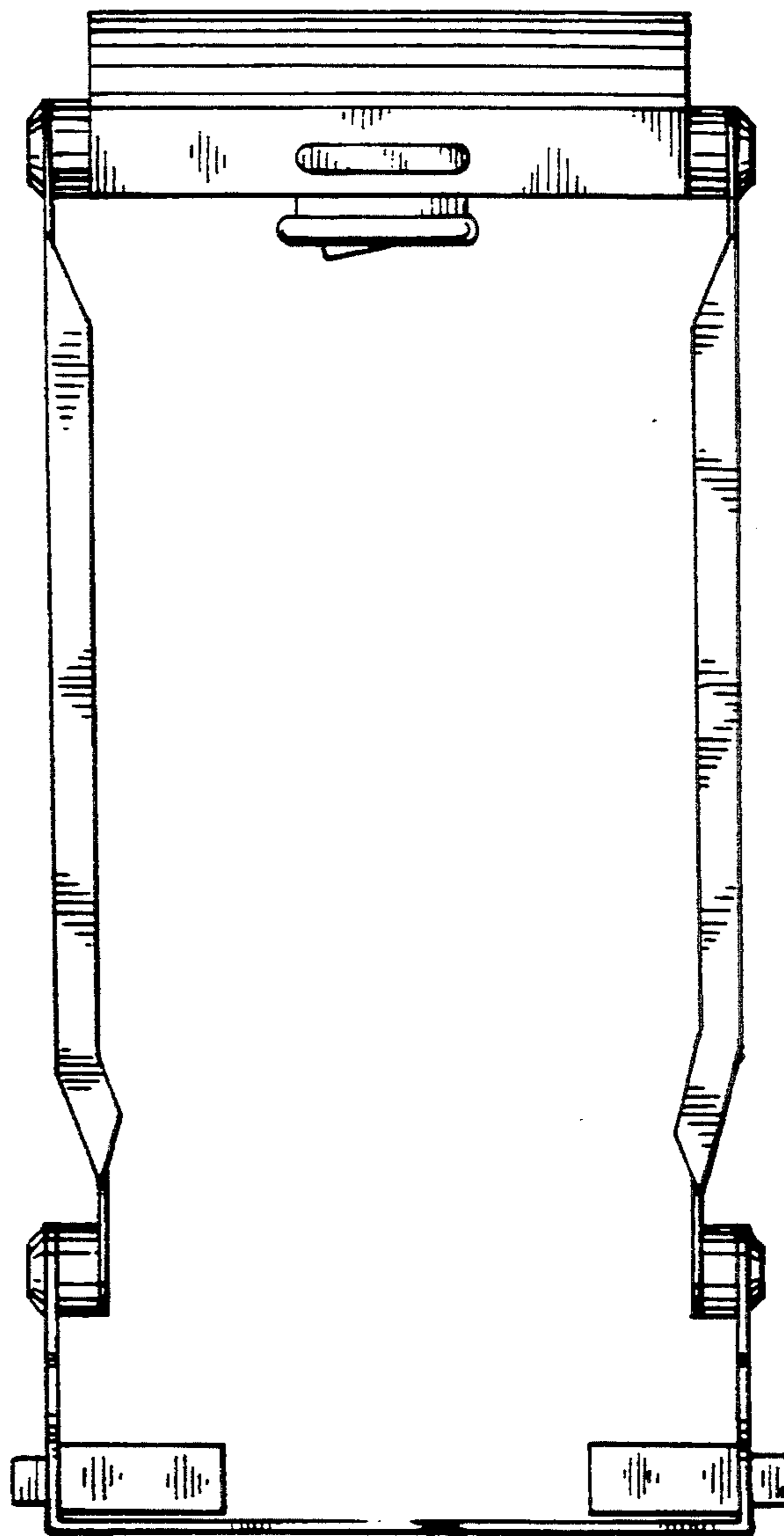


FIG. 3

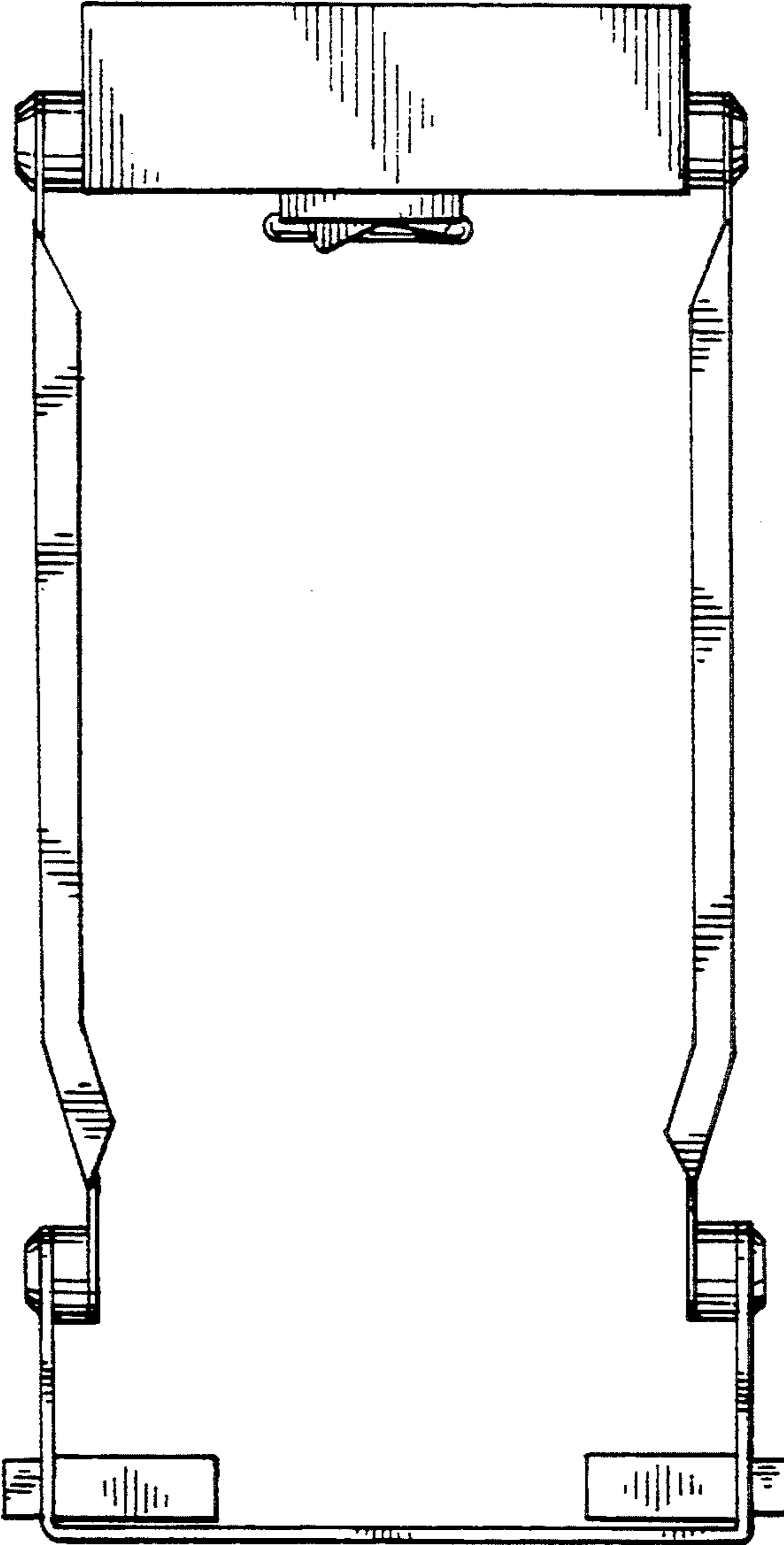


FIG. 4

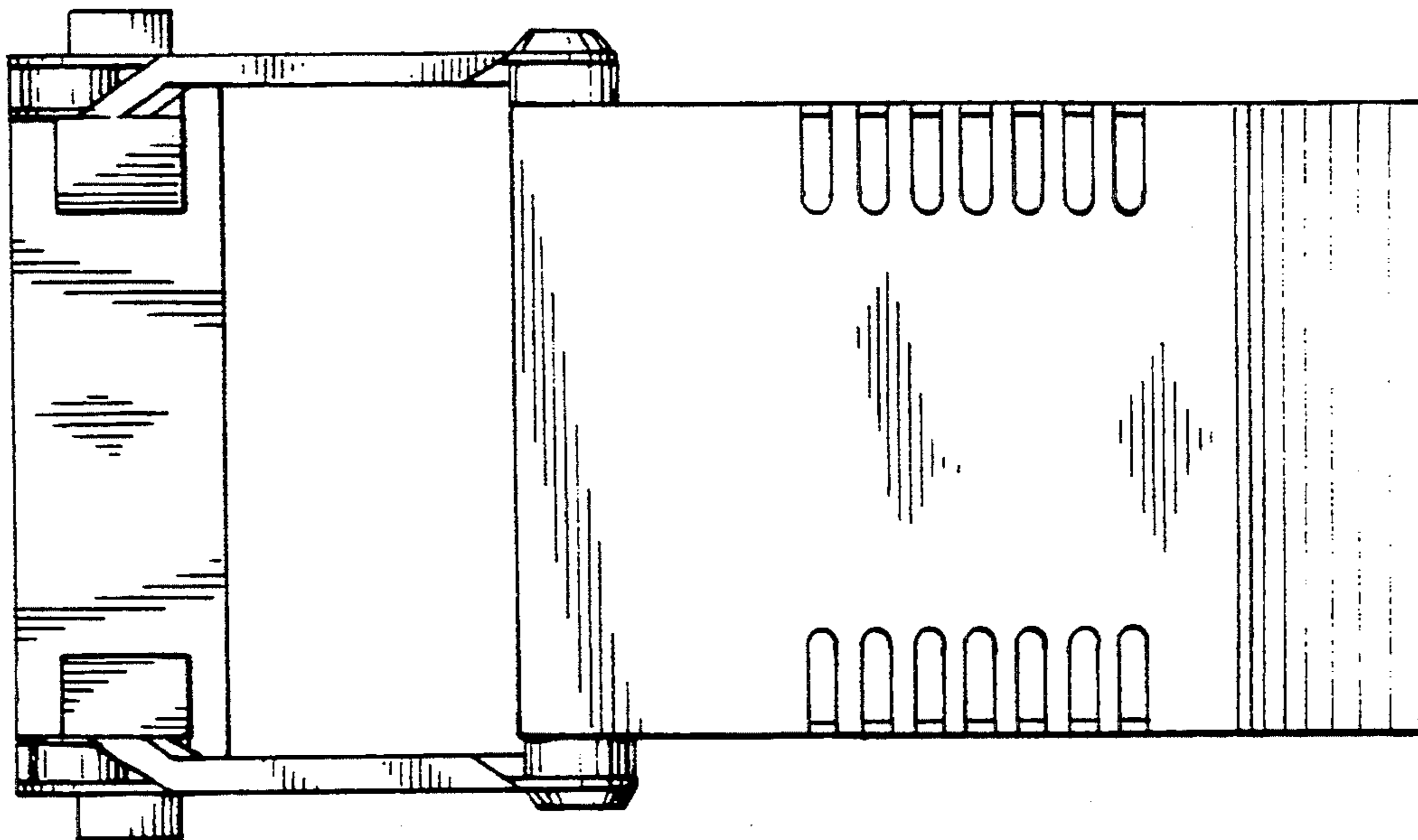


FIG. 5

