



US00D357759S

# United States Patent [19]

[11] Patent Number: **Des. 357,759**

Geissler

[45] Date of Patent: **\*\* Apr. 25, 1995**

[54] **FLASHLIGHT**

[75] Inventor: **Udo M. Geissler, Munich, Germany**

[73] Assignee: **Osram GmbH, Munich, Germany**

[\*\*] Term: **14 Years**

[21] Appl. No.: **10,441**

[22] Filed: **Jul. 1, 1993**

[30] **Foreign Application Priority Data**

Jan. 22, 1993 [DE] Germany ..... M9300614.4

[52] U.S. Cl. .... **D26/42**

[58] Field of Search ..... D26/37-50;  
362/157, 158, 183, 184, 187-191, 196-200, 202

[56] **References Cited**

**U.S. PATENT DOCUMENTS**

D. 251,268 3/1979 Zelina ..... D26/42

D. 293,482 12/1987 Geissler ..... D26/49

D. 344,151 2/1994 Kwong ..... D26/42

*Primary Examiner*—Susan J. Lucas

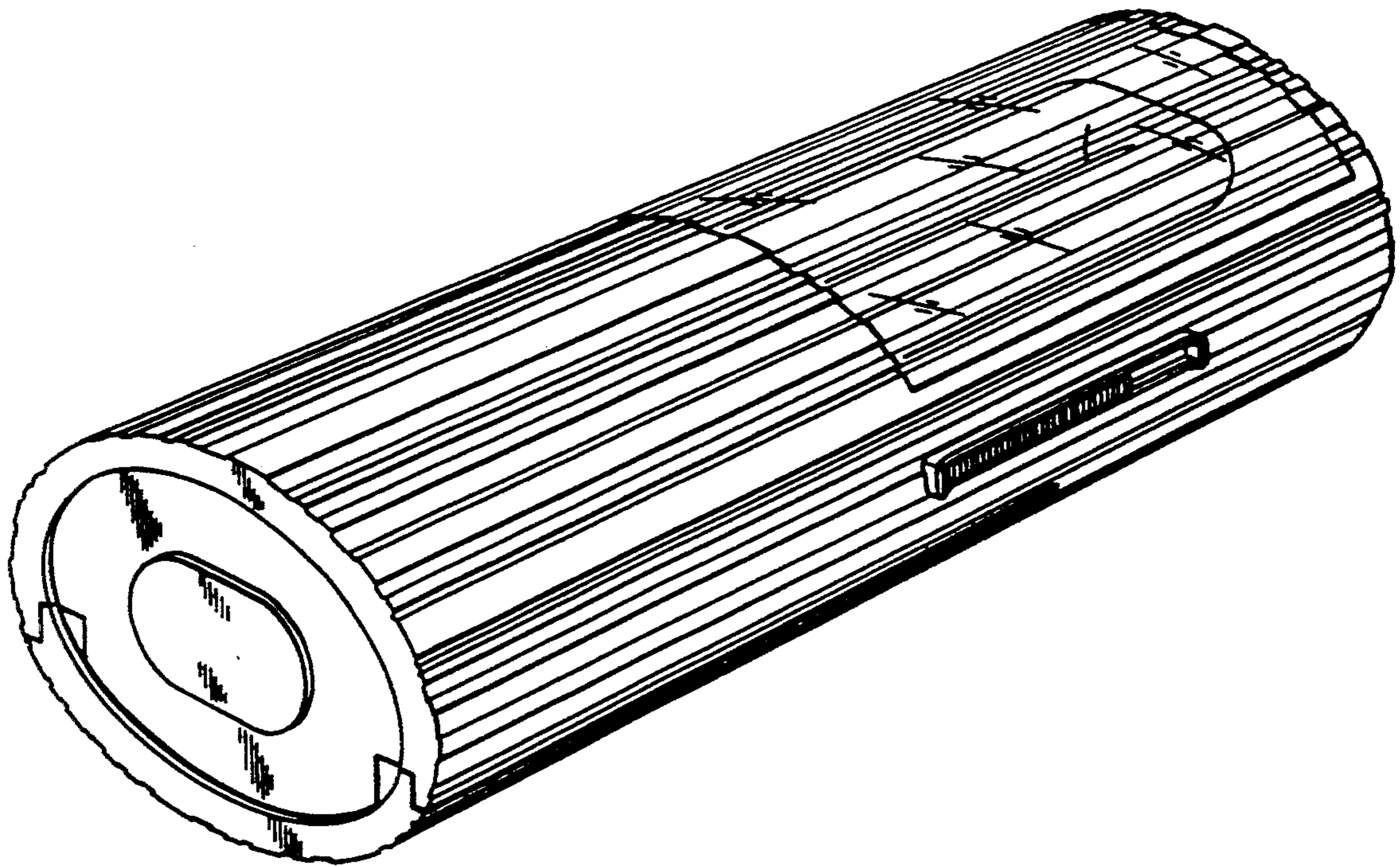
*Attorney, Agent, or Firm*—Frishauf, Holtz, Goodman & Woodward

[57] **CLAIM**

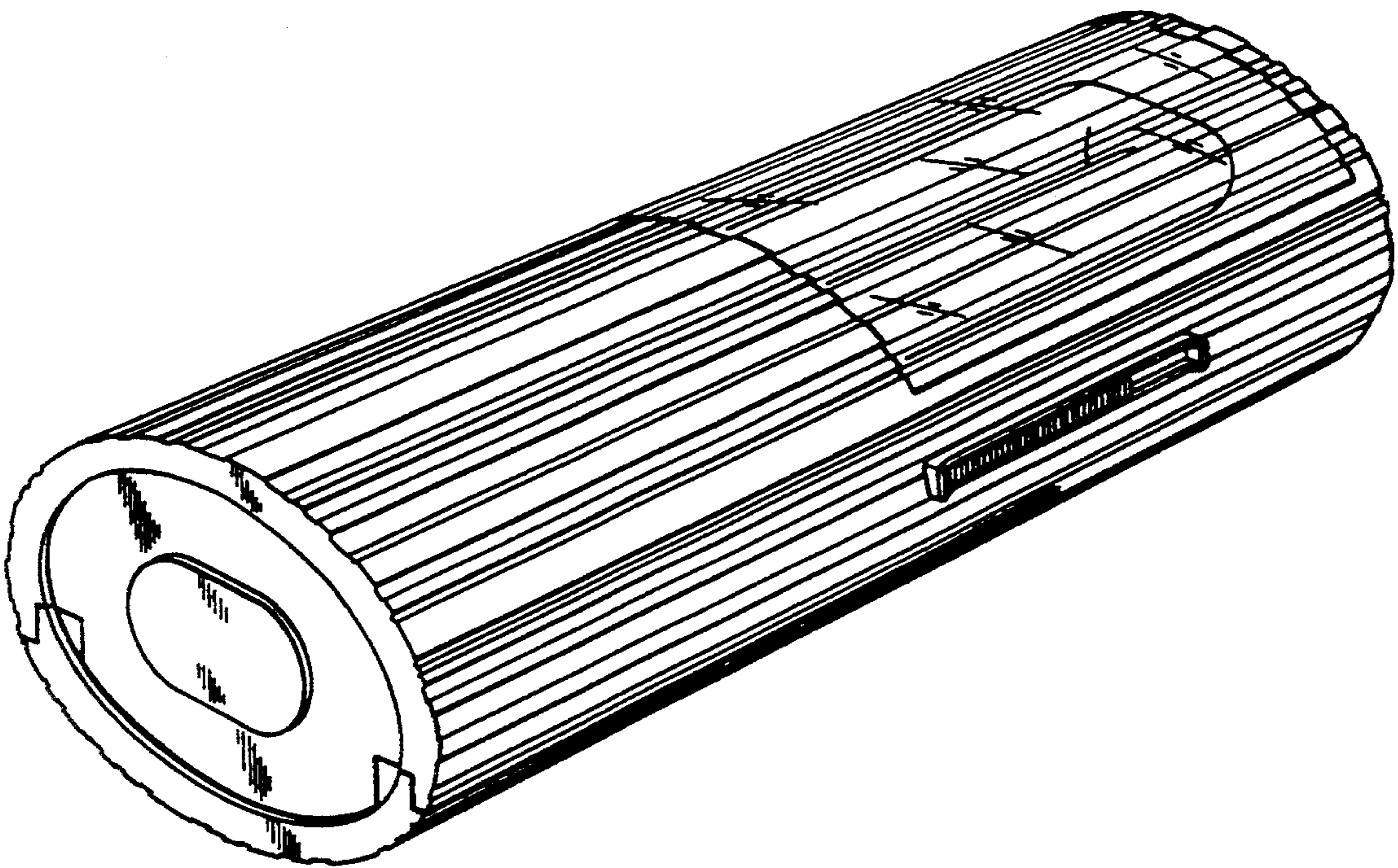
The ornamental design for a flashlight, as shown and described.

**DESCRIPTION**

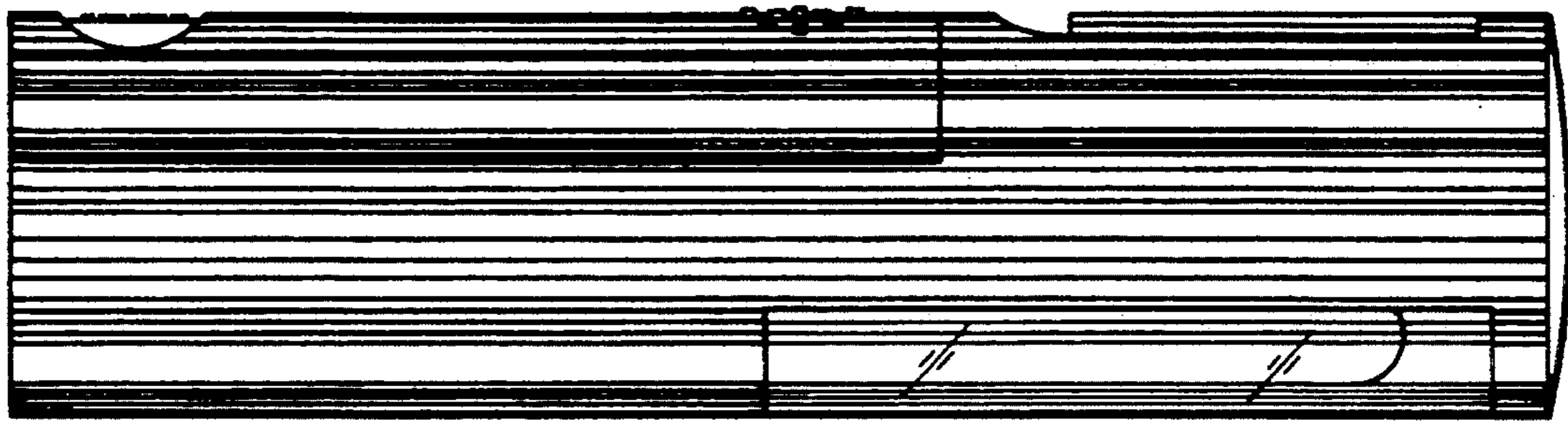
FIG. 1 is a front perspective view of the flashlight; FIG. 2 is a side view taken from the left side of FIG. 1; FIG. 3 is a top view with respect to FIG. 1; FIG. 4 is a right side view, with respect to FIG. 1; FIG. 5 is a view 180° reversed with respect to FIG. 3, that is, a view of the underside of the flashlight, with respect to FIG. 1; FIG. 6 is an end view of the flashlight at the bottom thereof, that is, at the left side of FIG. 1; FIG. 7 is an end view of the right end of the flashlight, not visible in FIG. 1; FIG. 8 is a view similar to FIG. 1 of another embodiment of the flashlight, for use with rechargeable batteries, in which a recharging socket and a monitoring light are provided at the left end; and, FIG. 9 is an end view of the flashlight of FIG. 8, illustrating the bottom or left end. In all respects other than as shown in FIGS. 8 and 9, the ornamental designs of the two embodiments are the same.



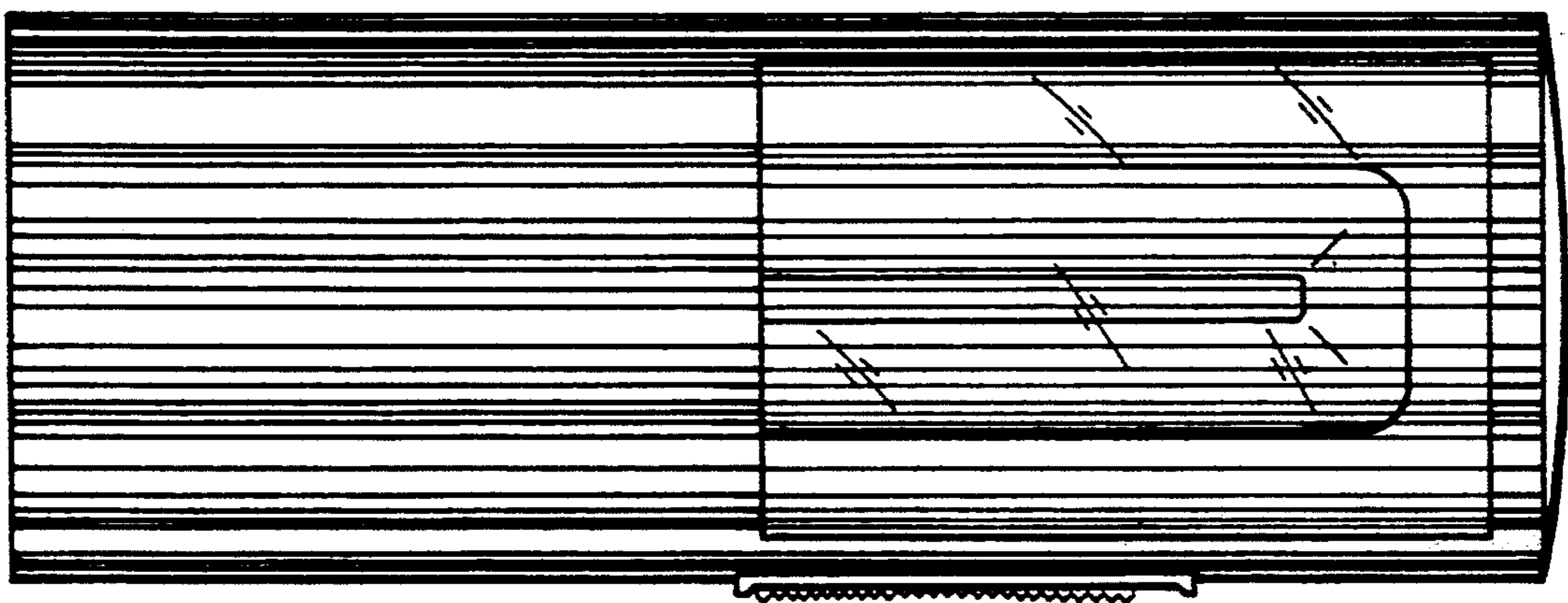
***Fig. 1***



***Fig. 2***

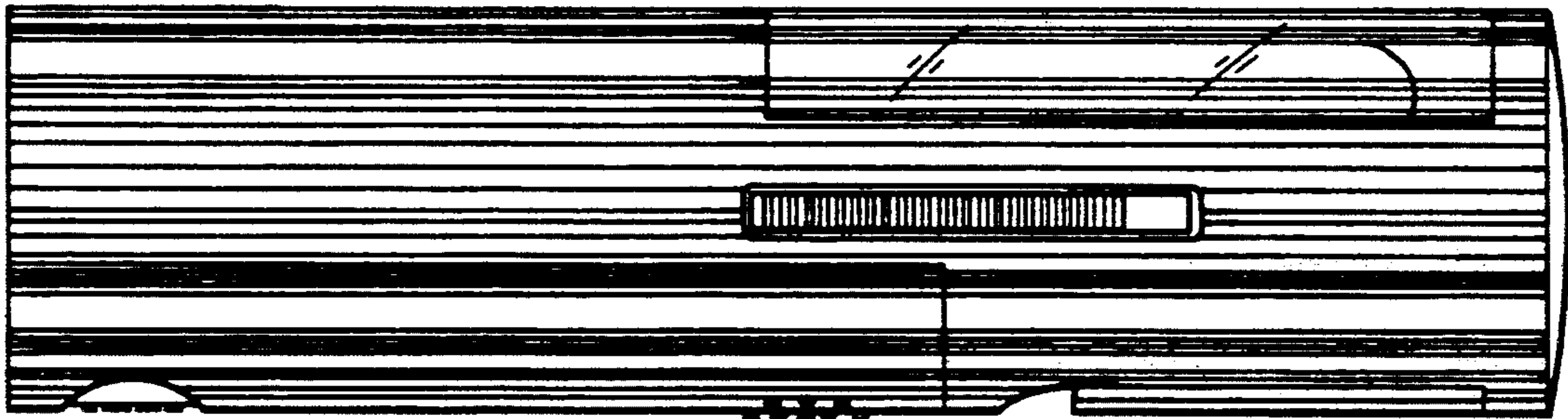


***Fig. 3***

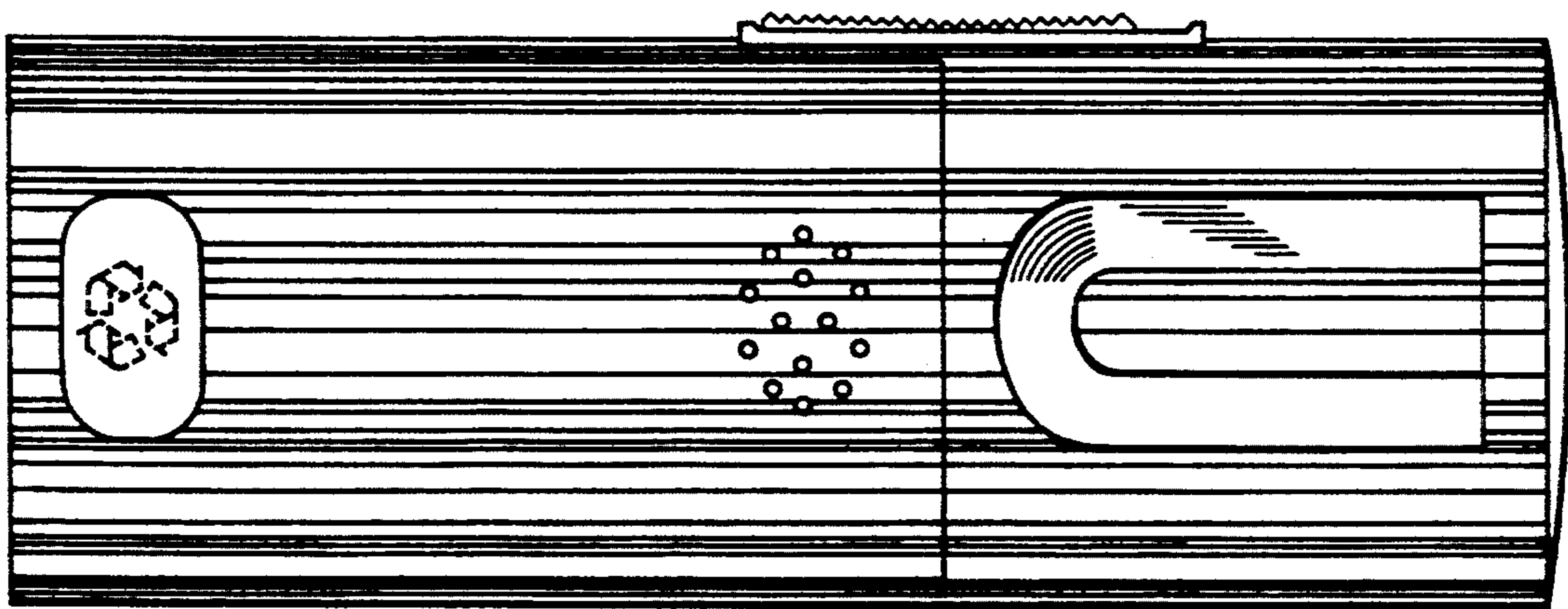




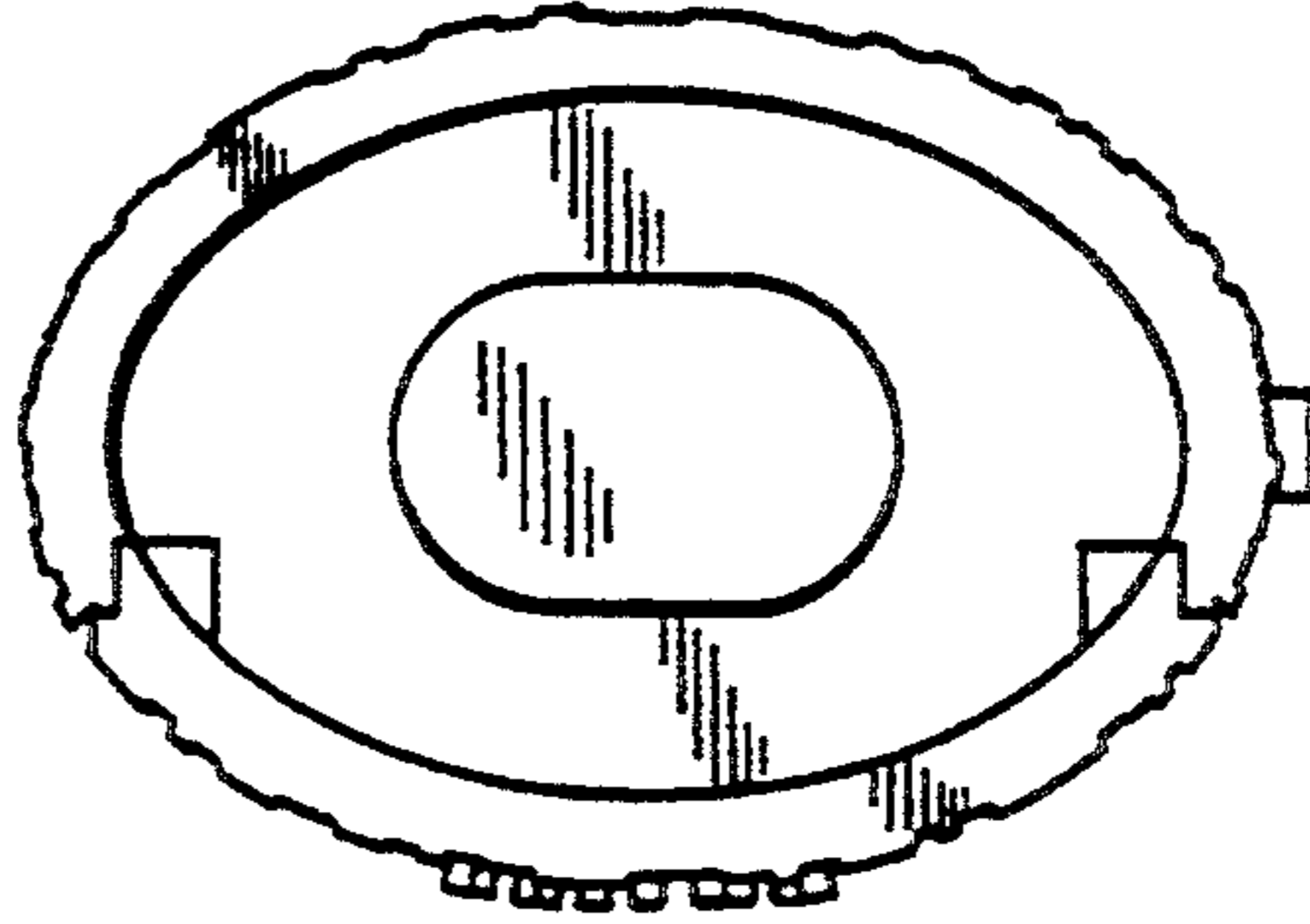
***Fig. 4***



***Fig. 5***

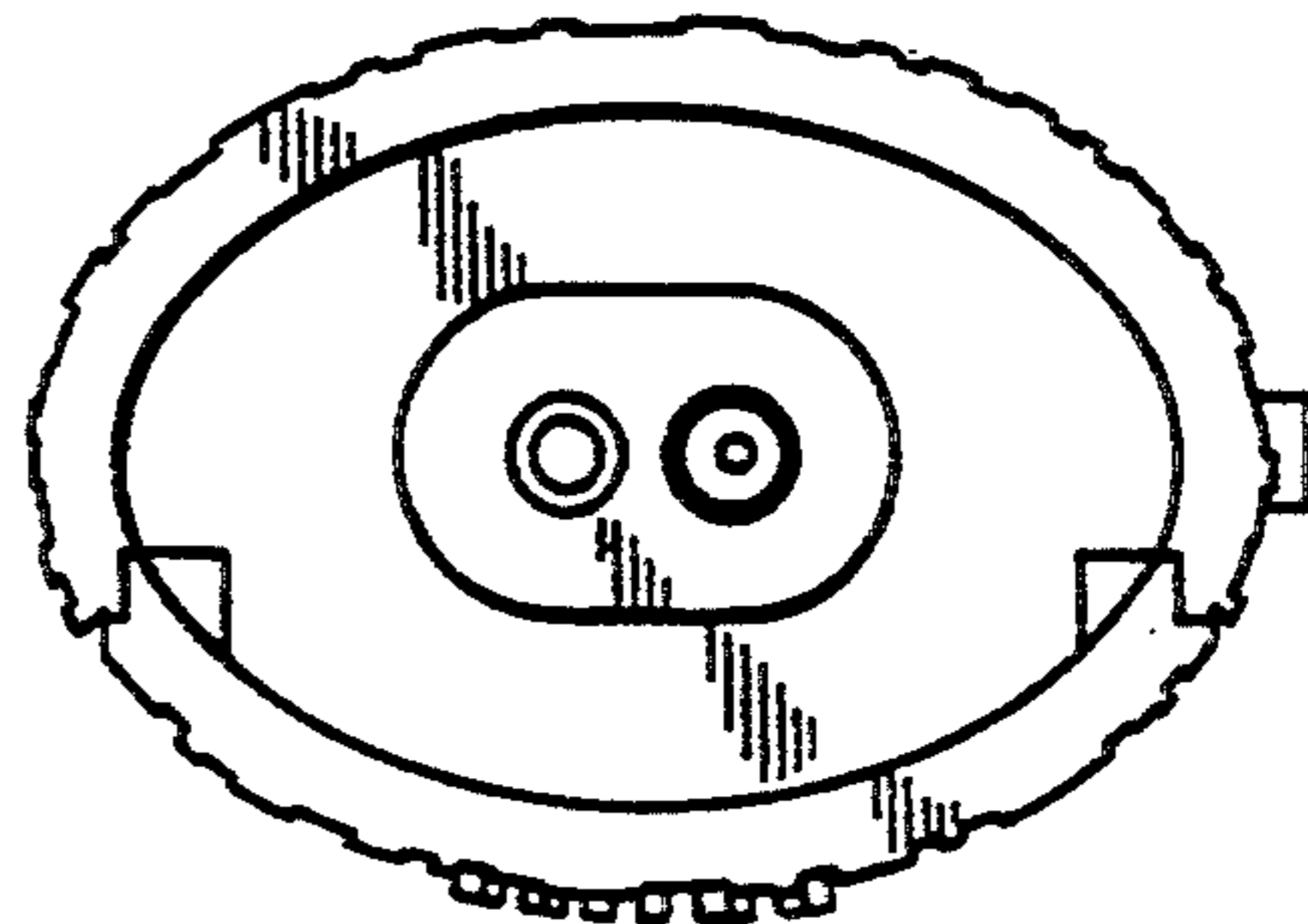
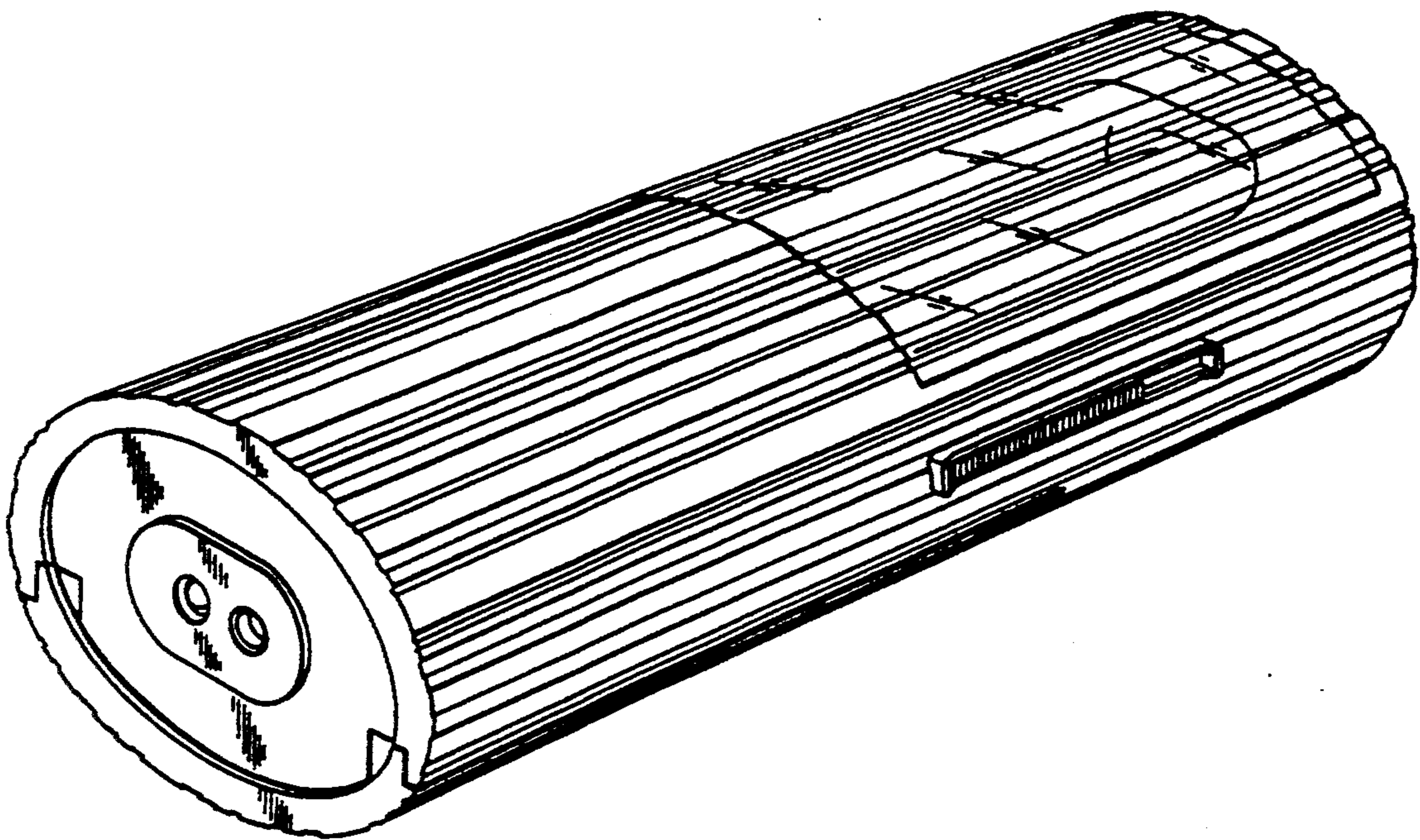


***Fig. 6***



***Fig. 7***

***Fig. 8***



***Fig. 9***