



US00D357758S

# United States Patent [19]

[11] Patent Number: **Des. 357,758**

Lipps et al.

[45] Date of Patent: **\*\* Apr. 25, 1995**

[54] **BRAKE LIGHT FOR AGRICULTURAL VEHICLE**

[76] Inventors: **James P. Lipps**, 3437 Upshur Northern Rd.; **John M. Cail, Sr.**, 4415 N. Florence Campbellstown Rd., both of Eaton, Ohio 45320

[\*\*] Term: **14 Years**

[21] Appl. No.: **9,081**

[22] Filed: **Jun. 4, 1993**

[52] U.S. Cl. .... **D26/36**

[58] Field of Search ..... D26/24, 28, 36, 37, D26/120, 122, 123, 124; D10/113, 114, 121; 362/367, 375, 326, 336, 337, 339, 340, 82, 78, 362, 61, 80, 83.1, 398; 340/471, 472, 479

[56] **References Cited**

**U.S. PATENT DOCUMENTS**

- D. 248,592 7/1978 Urbanék et al. .... D10/114
- 1,466,874 9/1923 Elliott ..... 340/479
- 2,614,207 10/1952 Smith ..... 362/367 X

- 3,217,292 11/1965 Henderson ..... 340/471 X R
- 3,448,259 6/1969 Nitsch et al. .... 362/326
- 3,706,882 12/1972 Eby ..... 362/398
- 4,387,416 6/1983 Decker ..... 362/367 X
- 4,408,264 10/1983 Decker ..... 362/362 X
- 4,484,254 11/1984 Puckett et al. .... 362/340 X

*Primary Examiner*—Susan J. Lucas  
*Assistant Examiner*—Cynthia E. Ramirez  
*Attorney, Agent, or Firm*—Hugh E. Smith

[57] **CLAIM**

The ornamental design for a brake light for agricultural vehicle, as shown and described.

**DESCRIPTION**

FIG. 1 is a front elevational view of the brake light for agricultural vehicle showing my new design; FIG. 2 is a rear elevational view thereof; FIG. 3 is a left side elevational view thereof; FIG. 4 is a right side elevational view thereof; FIG. 5 is a top plan view thereof; FIG. 6 is a bottom plan view thereof; and, FIG. 7 is an isometric view thereof.

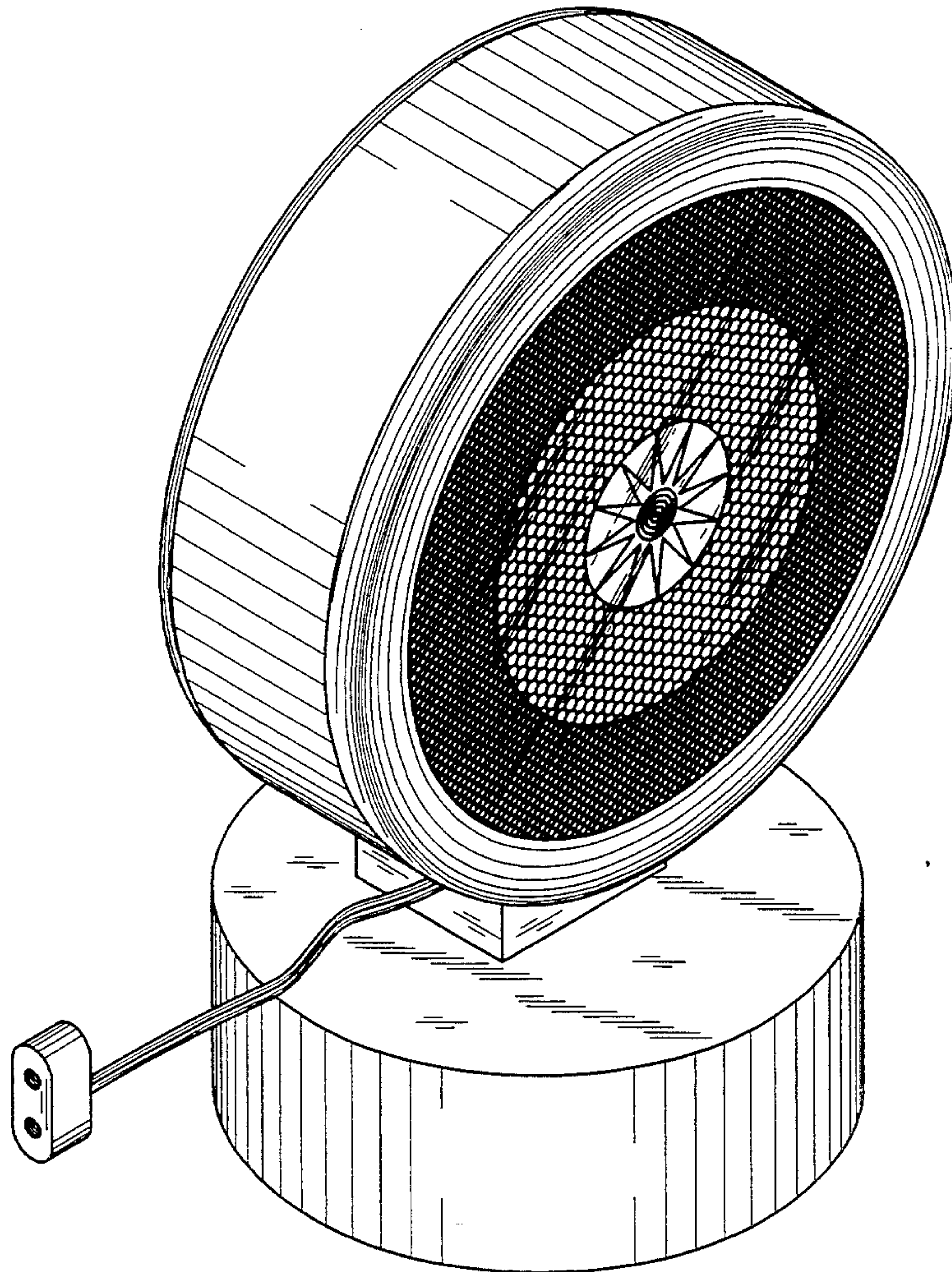




FIG. 1

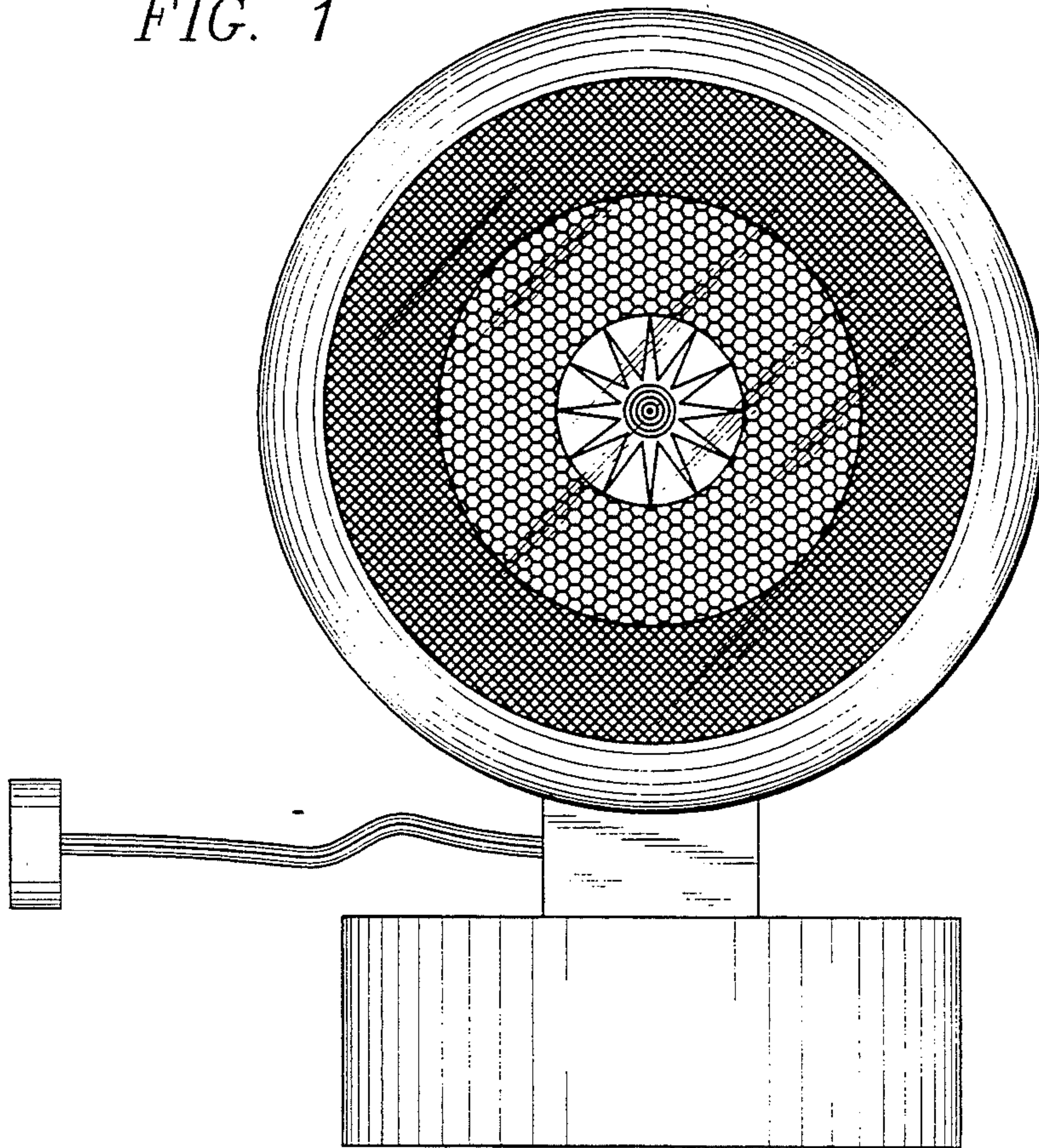


FIG. 2

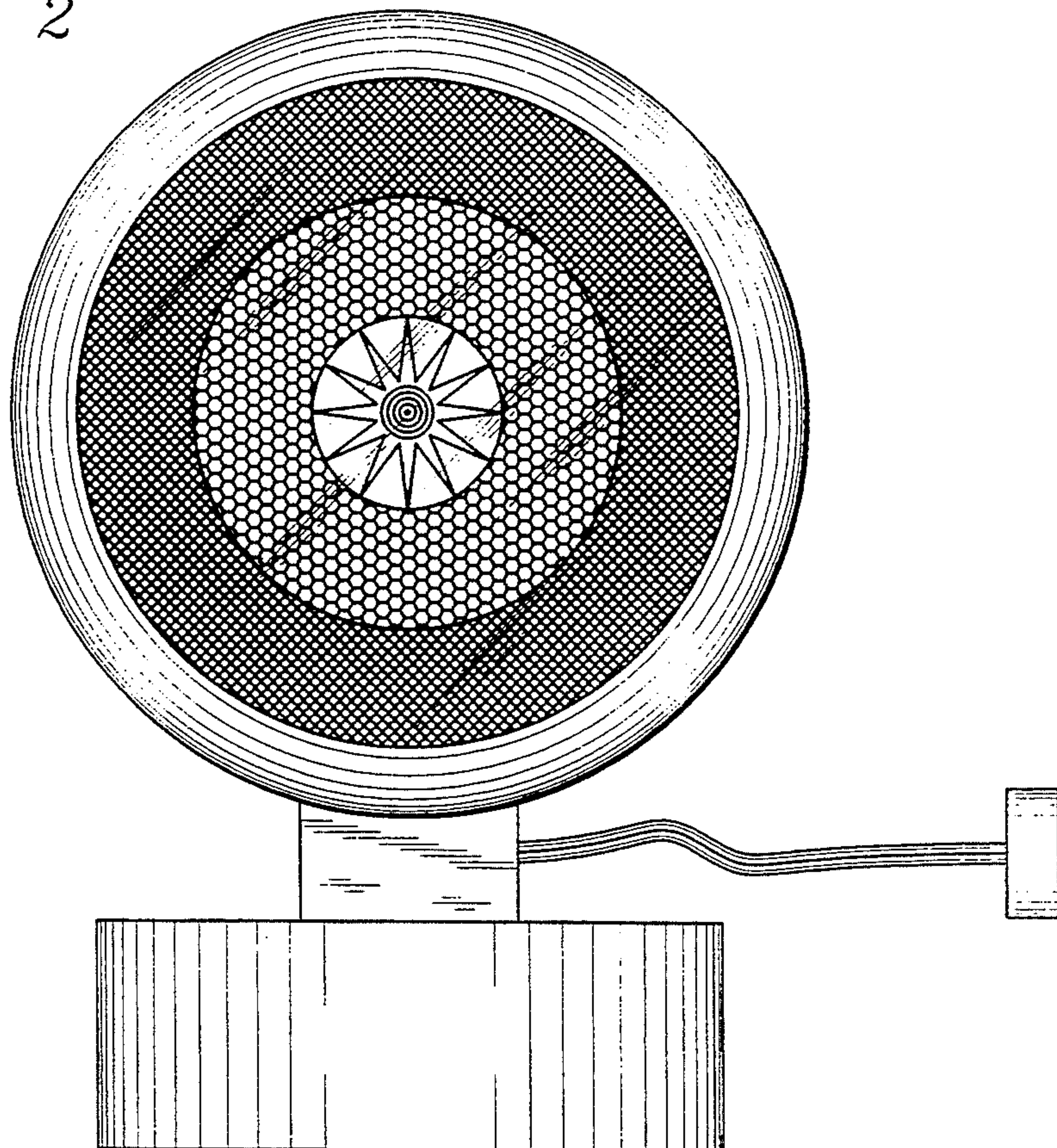


FIG. 3

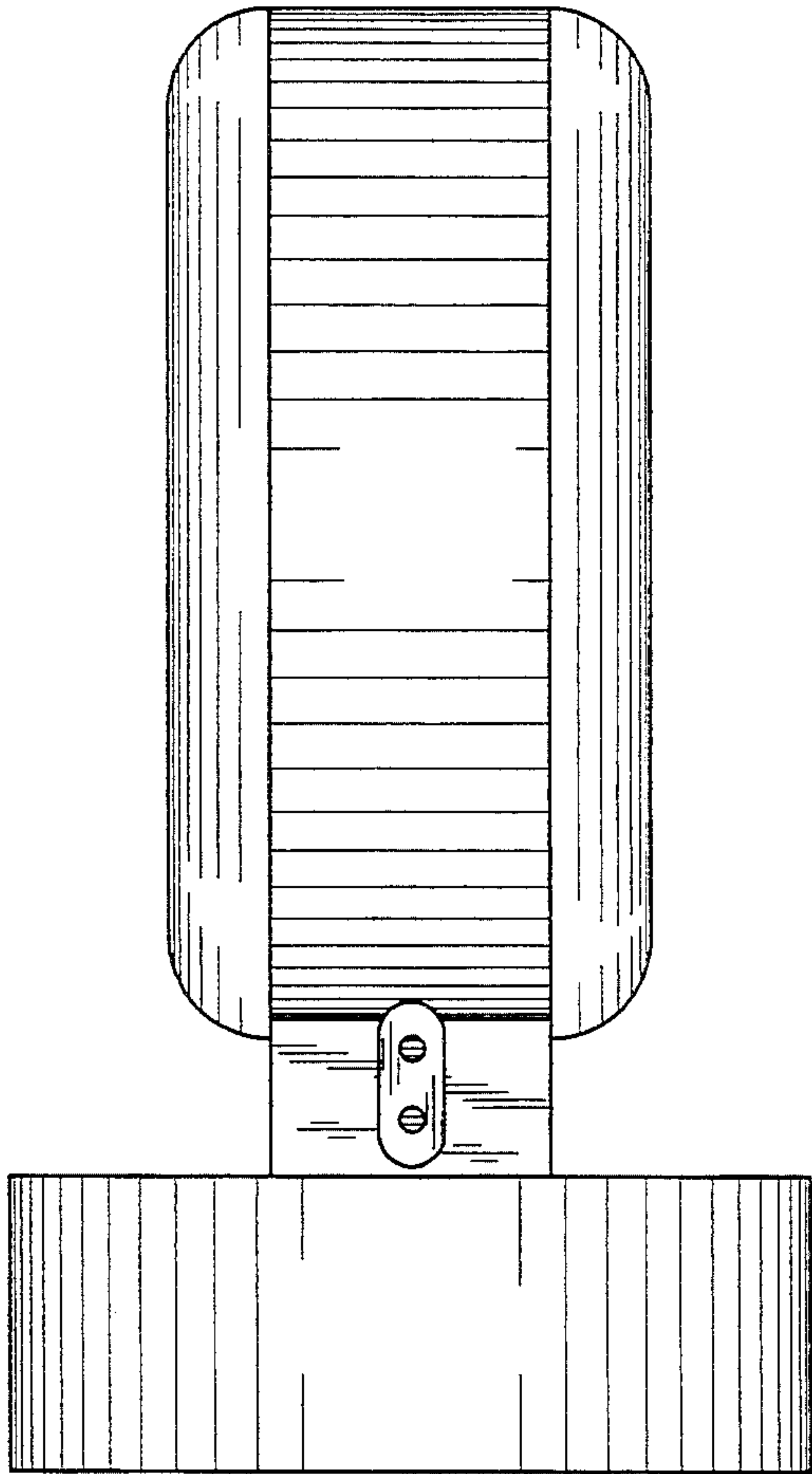


FIG. 4

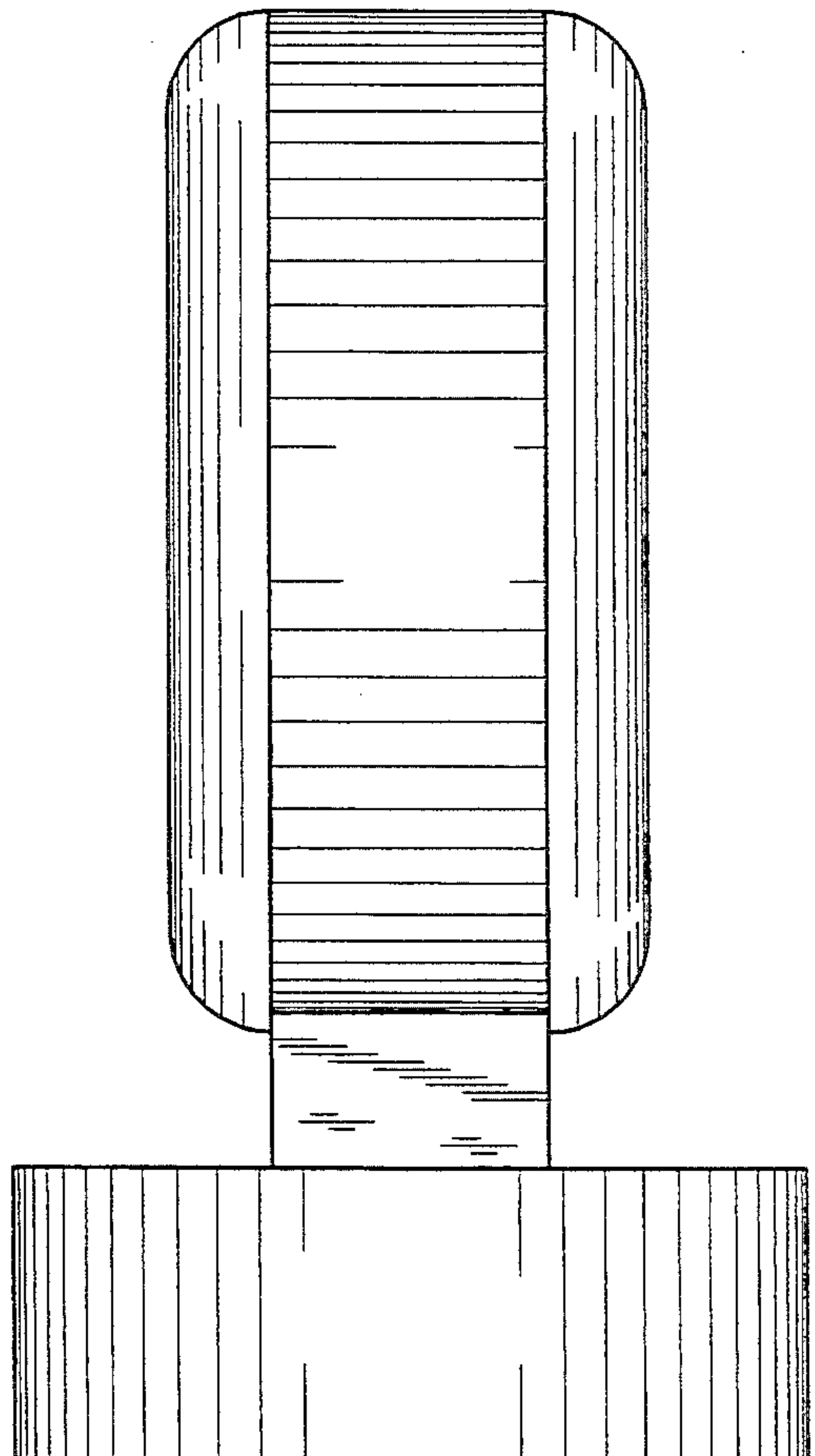


FIG. 5

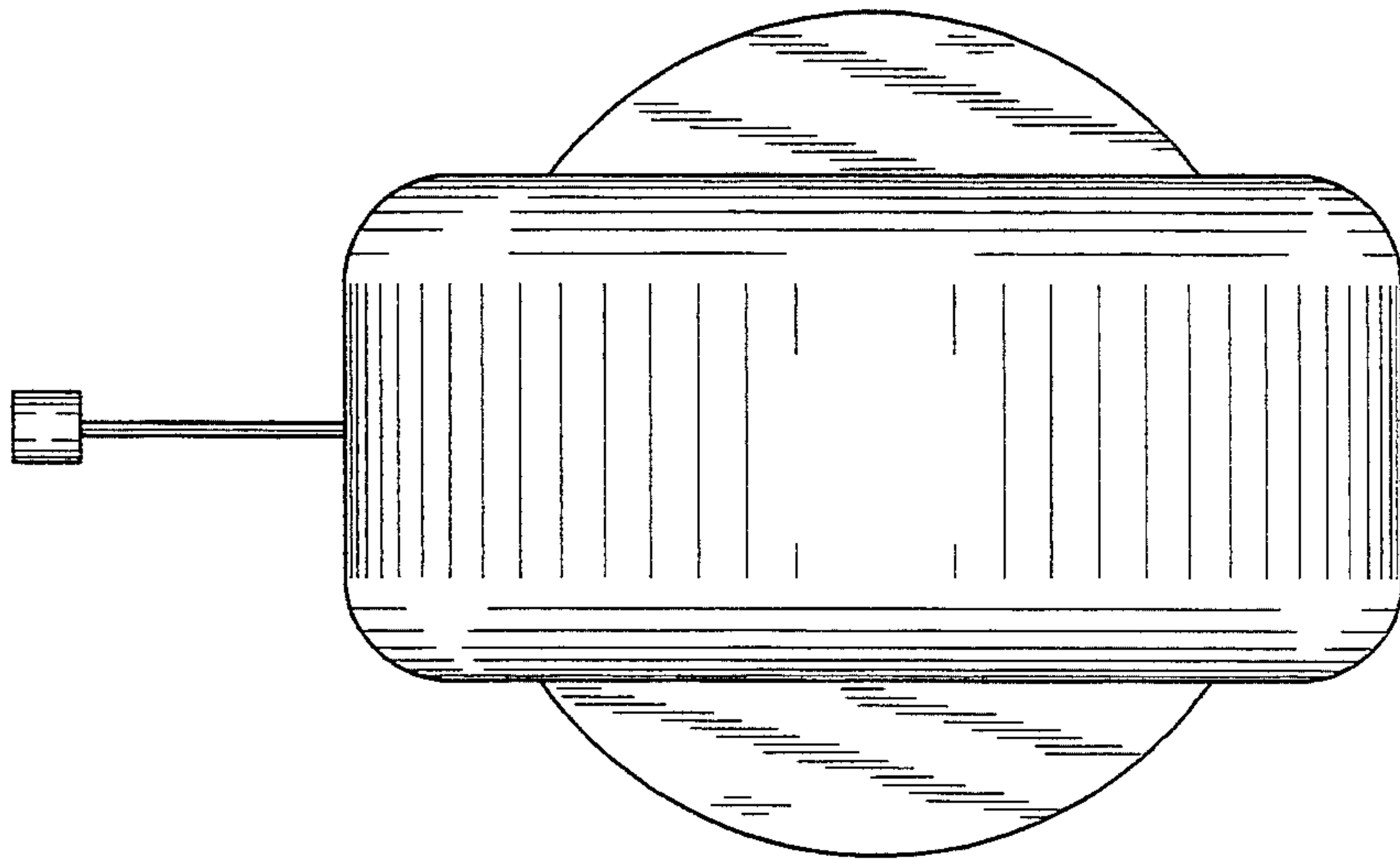


FIG. 6

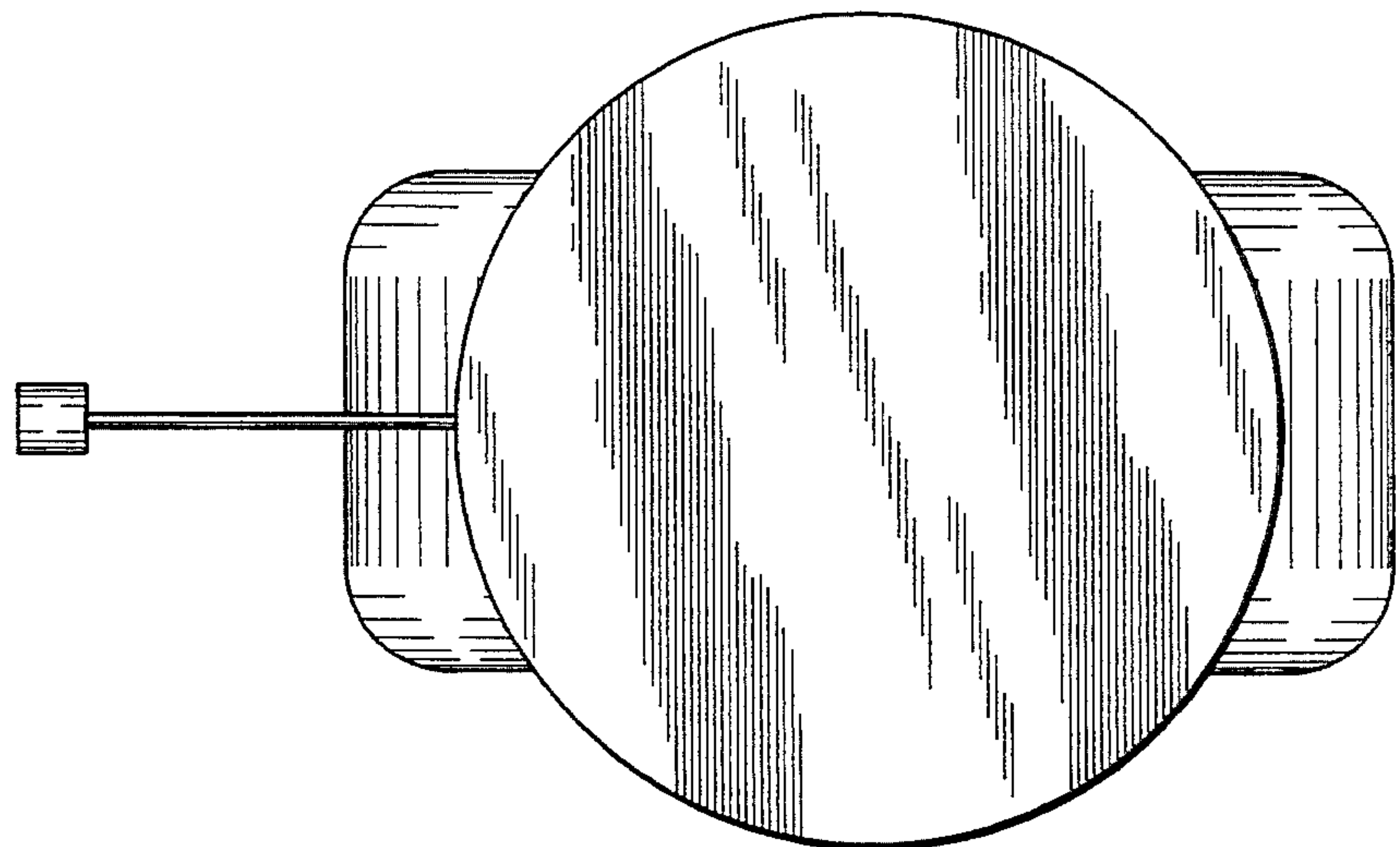




FIG. 7

