



US00D357757S

United States Patent [19]

[11] Patent Number: **Des. 357,757**

Bamber et al.

[45] Date of Patent: **** Apr. 25, 1995**

[54] **EMERGENCY LIGHT**

2,233,377 2/1941 Talbot 362/188
4,530,040 7/1985 Petterson 362/188

[75] Inventors: **David Bamber; Robert Deines**, both of Wichita, Kans.

OTHER PUBLICATIONS

Photographs of Rayovac Workhorse Lamp, sold and made available to the public before the filing date of this application. Prior to Dec. 21, 1992.

[73] Assignee: **The Coleman Company, Inc.**, Wichita, Kans.

Primary Examiner—Wallace R. Burke
Assistant Examiner—Marcus Jackson
Attorney, Agent, or Firm—Tilton, Fallon, Lungmus & Chestnut

[**] Term: **14 Years**

[21] Appl. No.: **2,494**

[22] Filed: **Dec. 21, 1992**

[52] U.S. Cl. **D26/37**

[57] CLAIM

The ornamental design for an emergency light, as shown and described.

[58] Field of Search D26/37-50;
362/157, 158, 160, 161, 168, 71, 172, 173, 178,
180, 183, 184, 197, 198, 201, 202, 203, 204, 205,
206, 207, 208

DESCRIPTION

[56] References Cited

U.S. PATENT DOCUMENTS

D. 255,839	7/1980	Sassmannshausen	D26/37
D. 257,540	11/1980	Yip	D26/50
D. 267,351	12/1982	Suzuki	D26/50
D. 289,931	5/1987	Grae	D26/50
D. 302,694	8/1989	Yuen	D26/38

FIG. 1 is a perspective view of an emergency light showing our new design;
FIG. 2 is a front elevation view thereof;
FIG. 3 is a top plan view thereof;
FIG. 4 is a bottom plan view thereof;
FIG. 5 is a rear view thereof; and,
FIG. 6 is a side elevation view thereof, the opposite side being a mirror image.

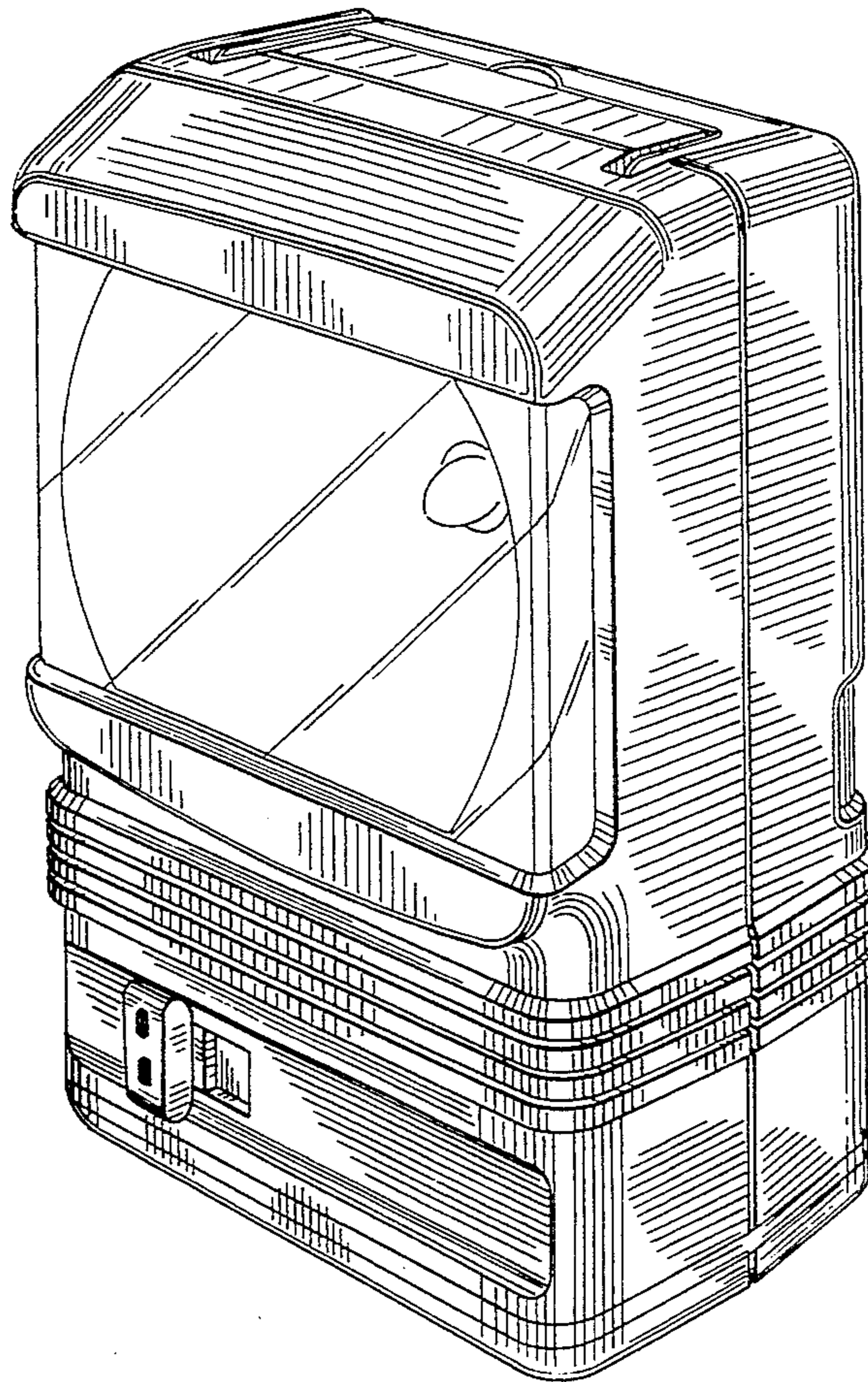


Fig. 1

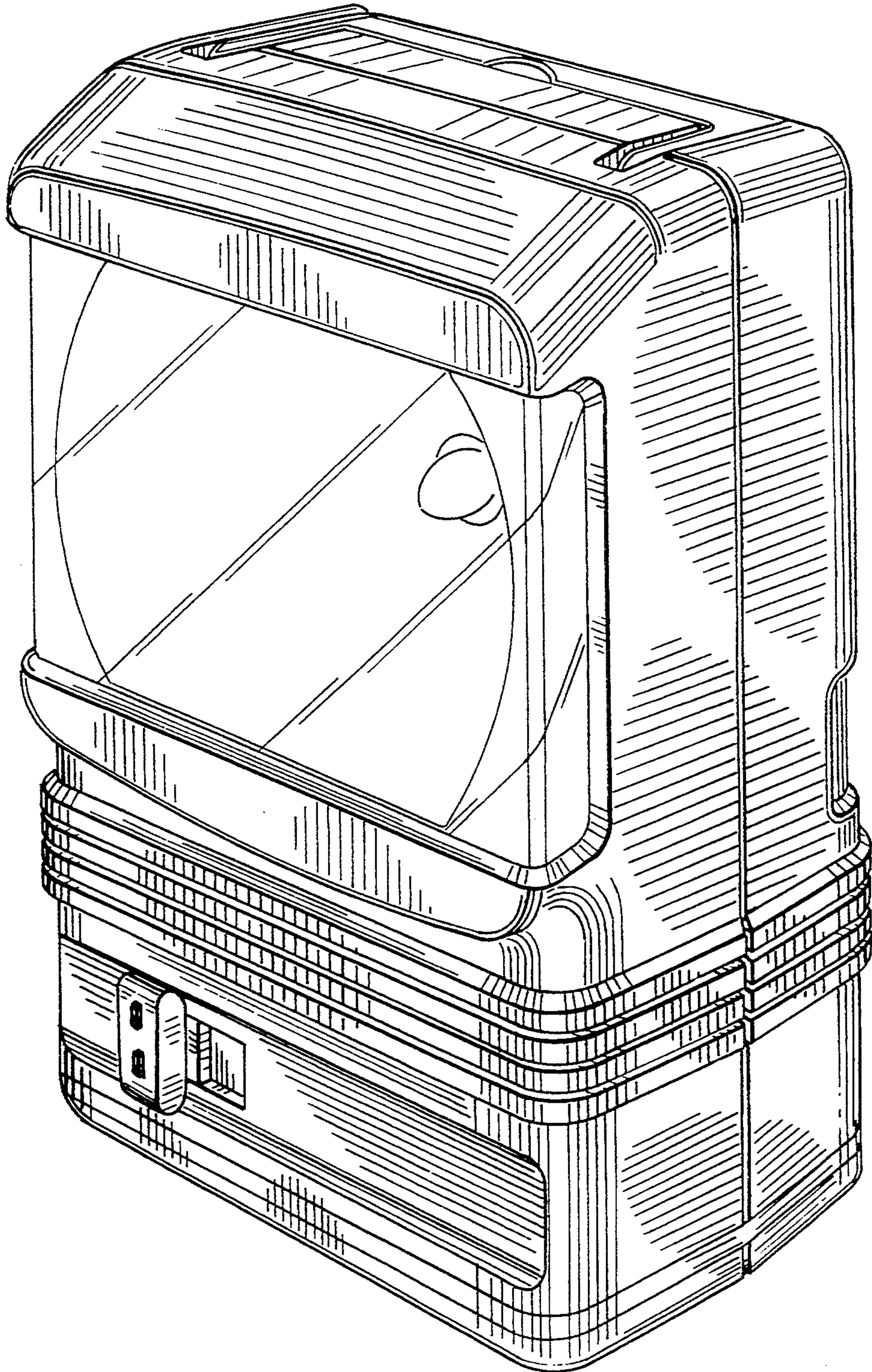


Fig. 2

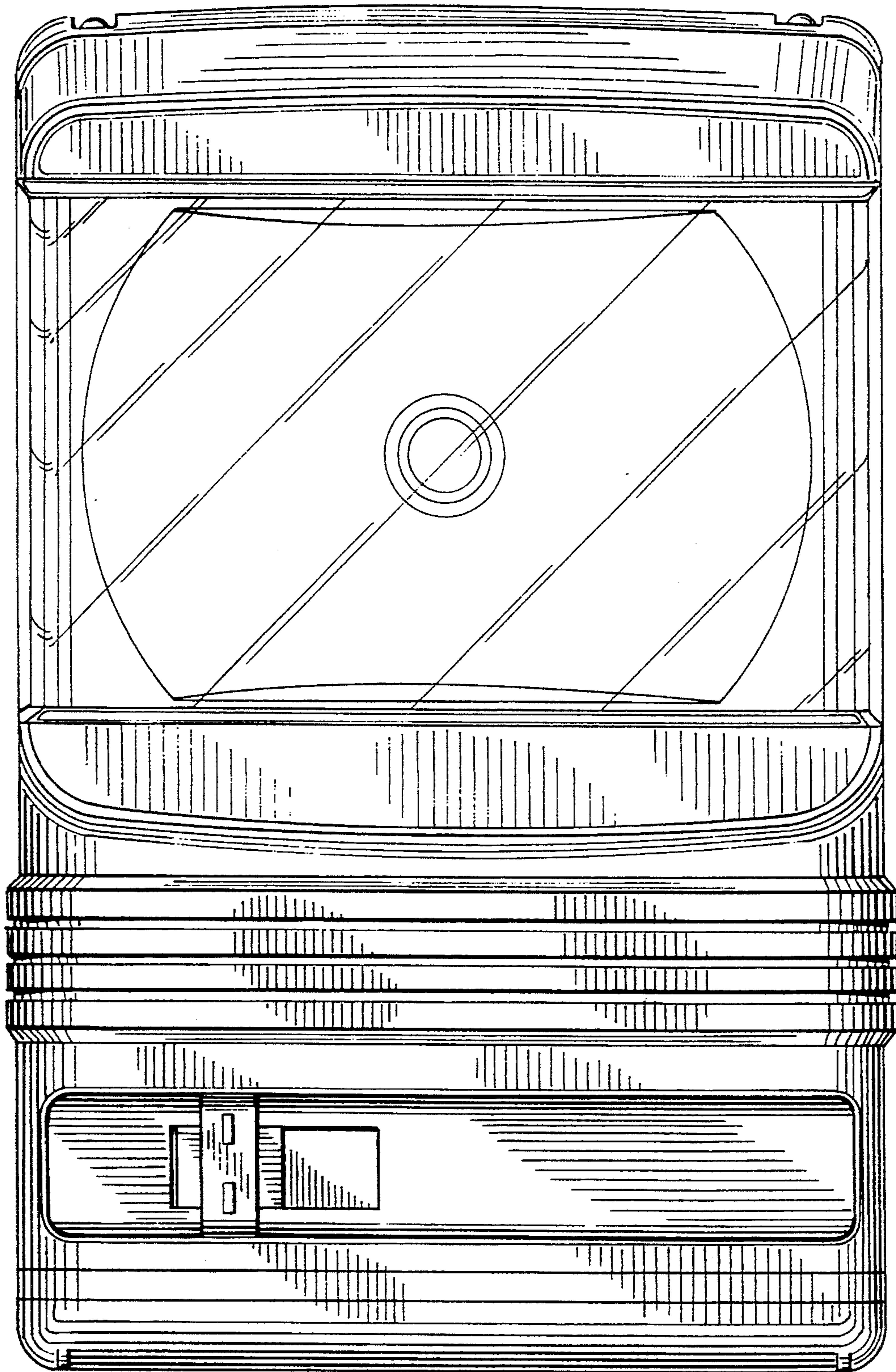


Fig. 3

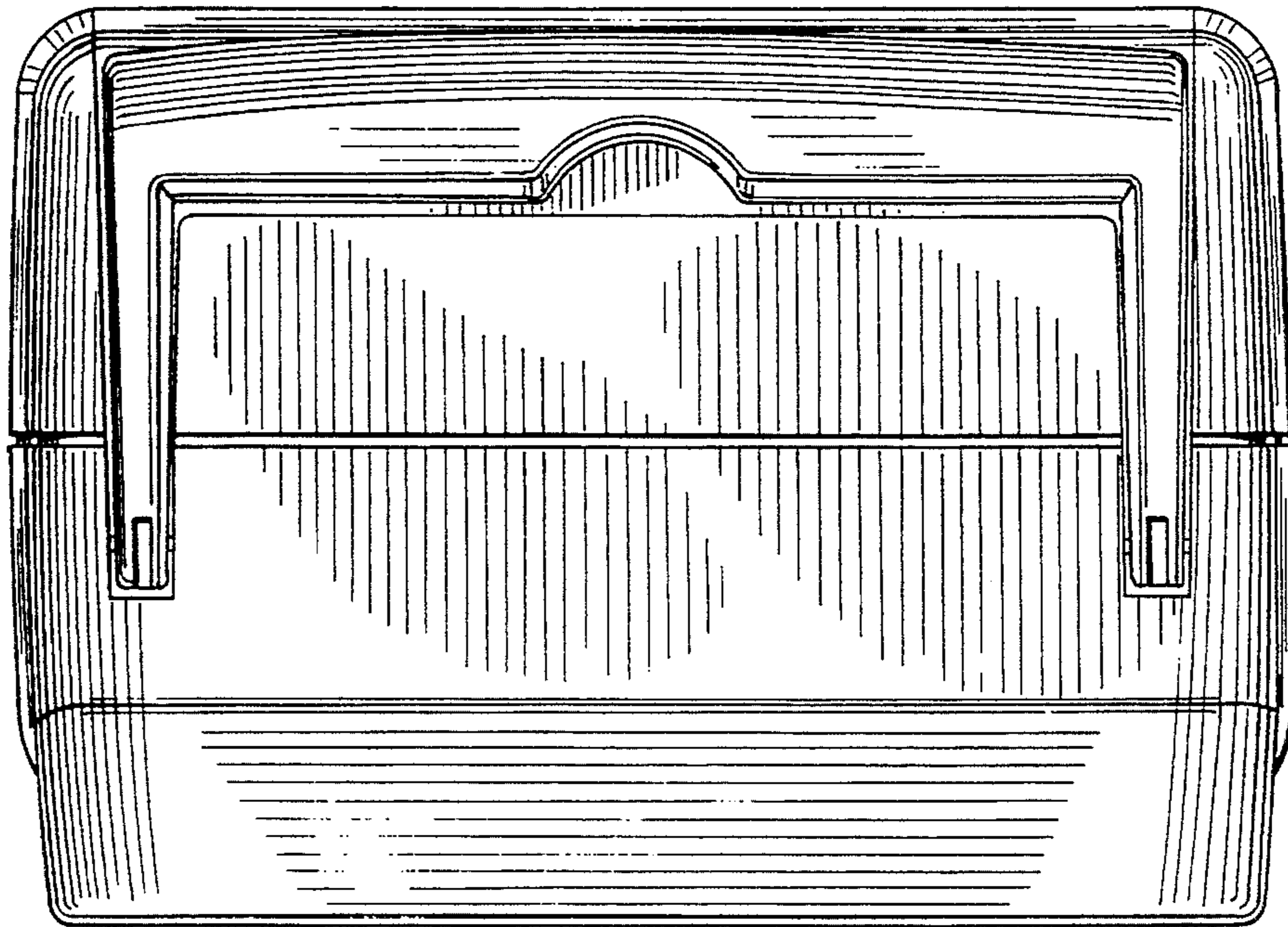


Fig. 4

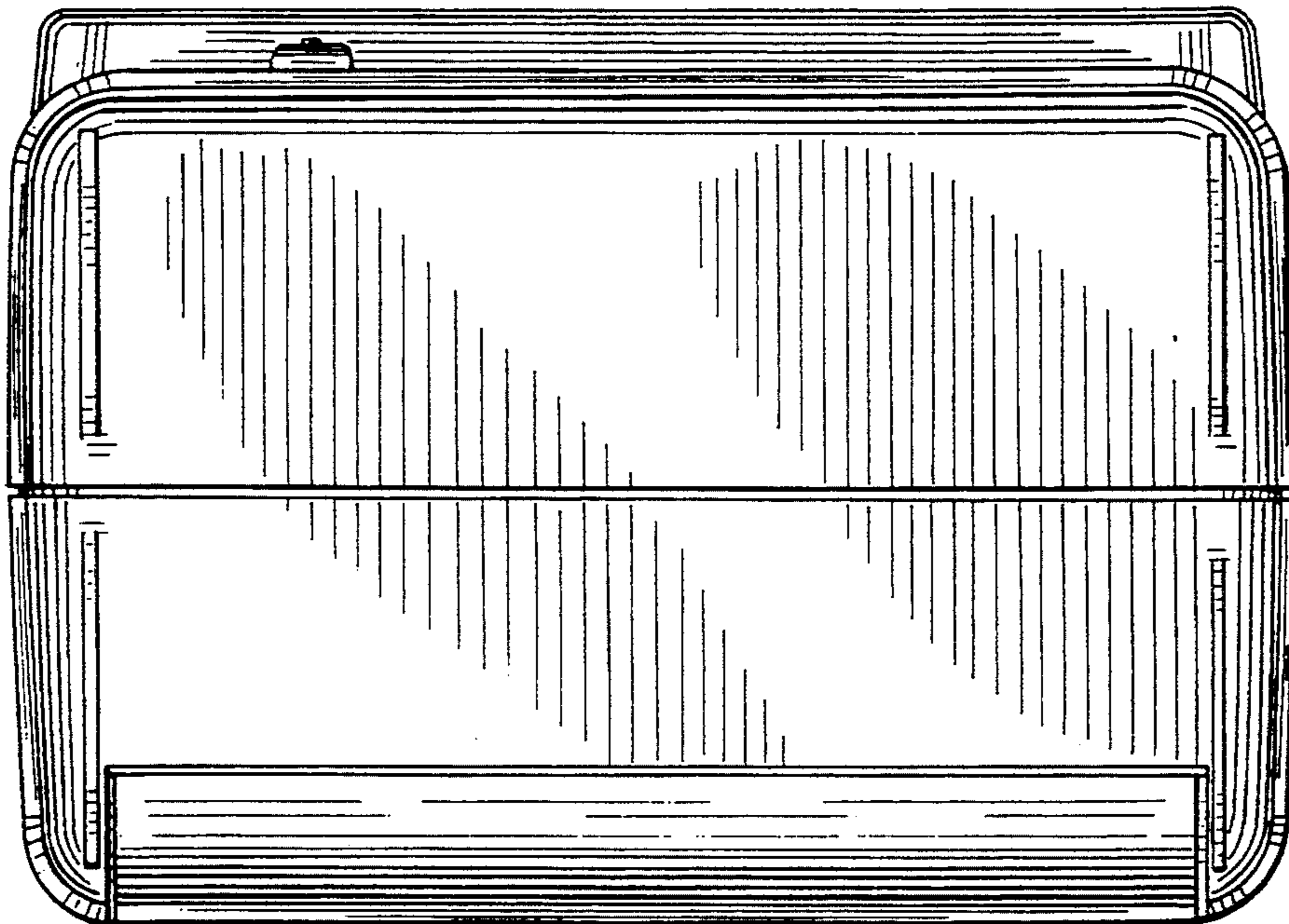


Fig. 5

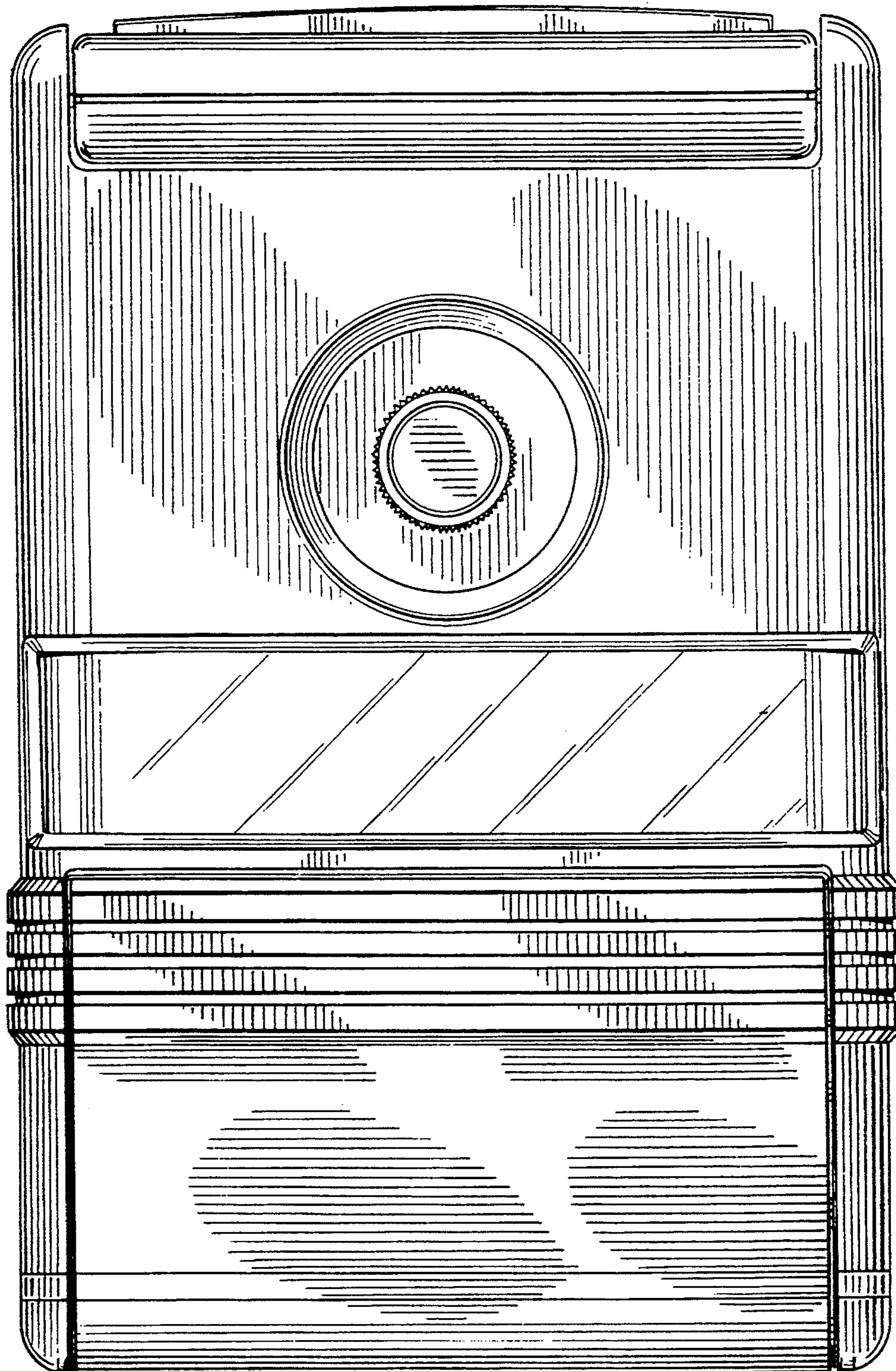


Fig. 6

