



US00D357756S

United States Patent [19]

[11] Patent Number: **Des. 357,756**

Tsai

[45] Date of Patent: **** Apr. 25, 1995**

[54] **FOG LIGHT**

D. 346,232 4/1994 Falkensson et al. D26/28

[76] Inventor: **Wen-tsung Tsai**, No. 58-3, Lane 410, Wenhua Rd. Sec. 2, Panchiao, Taipei, Taiwan, Prov. of China

Primary Examiner—James M. Gandy
Assistant Examiner—Marcus Jackson
Attorney, Agent, or Firm—Beveridge, DeGrandi, Weilacher & Young

[**] Term: **14 Years**

[57] **CLAIM**

[21] Appl. No.: **25,898**

The ornamental design for a fog light, as shown and described.

[22] Filed: **Jul. 15, 1994**

[52] U.S. Cl. **D26/28**

[58] Field of Search D26/28, 29, 36; 362/61, 362/80, 81, 82, 83, 235, 240, 277, 296, 297, 300, 311

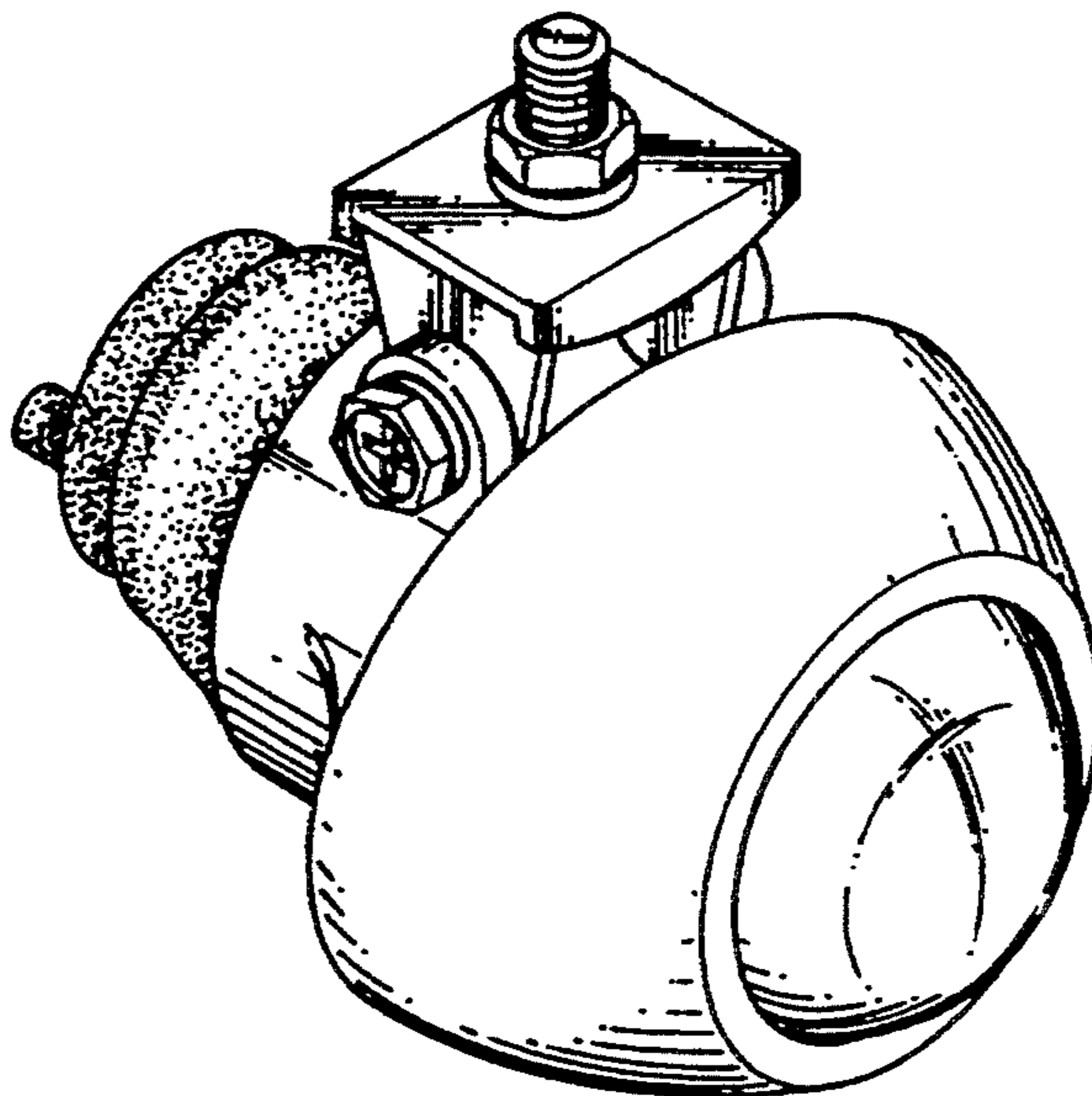
DESCRIPTION

FIG. 1 is a perspective view of a fog light showing my new design;
FIG. 2 is the top plan view thereof;
FIG. 3 is the bottom plan view thereof;
FIG. 4 is the left side elevational view thereof; (the right side elevational view thereof is symmetrically the same);
FIG. 5 is the front elevational view thereof; and,
FIG. 6 is the rear elevational view thereof.

[56] **References Cited**

U.S. PATENT DOCUMENTS

D. 259,814	7/1981	Yabata	D26/28
D. 266,599	10/1982	Suzuki	D26/28
D. 270,190	8/1983	Ichikawa	D26/28
D. 333,879	3/1993	Tsai	D26/28



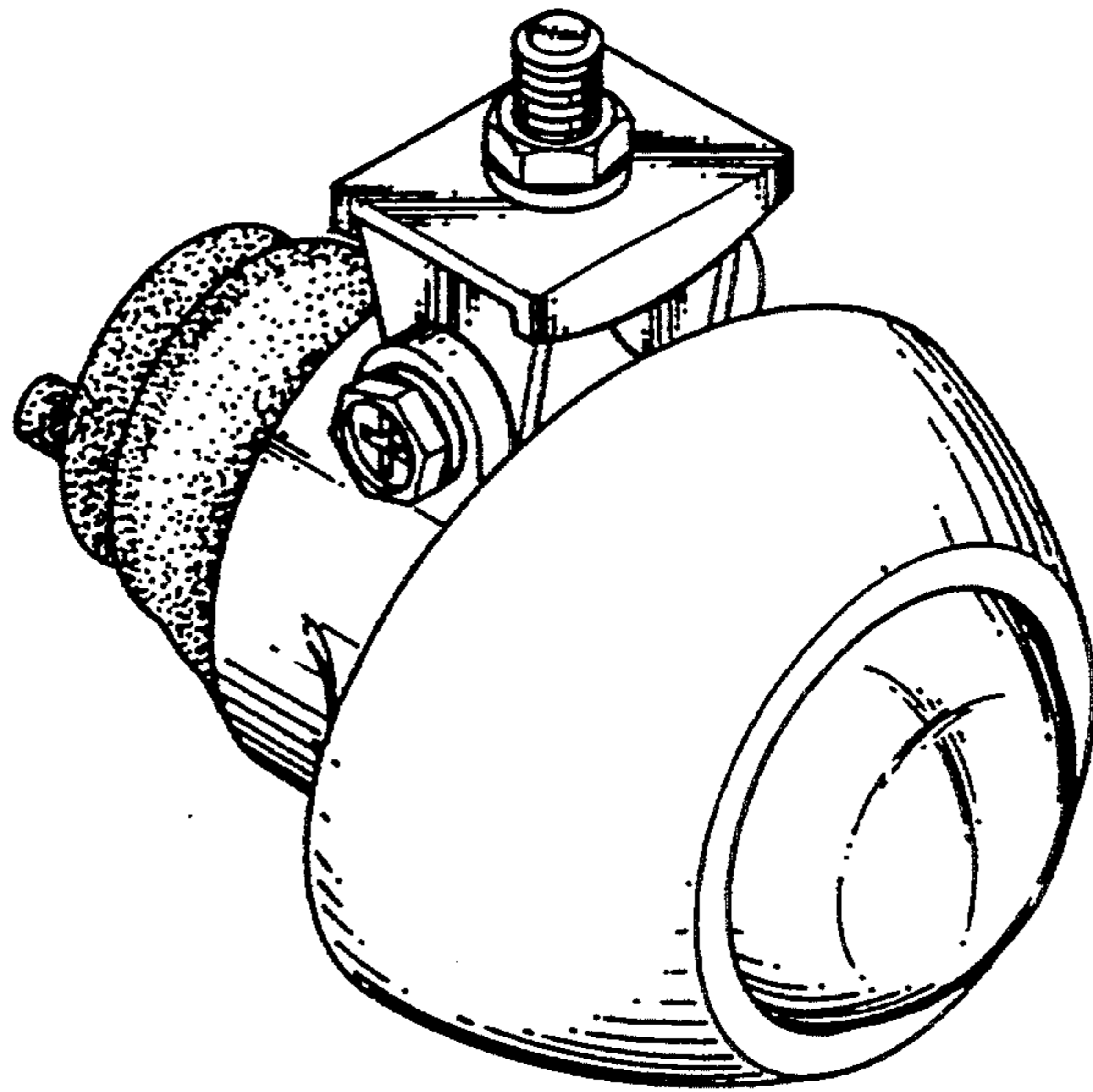


FIG.1

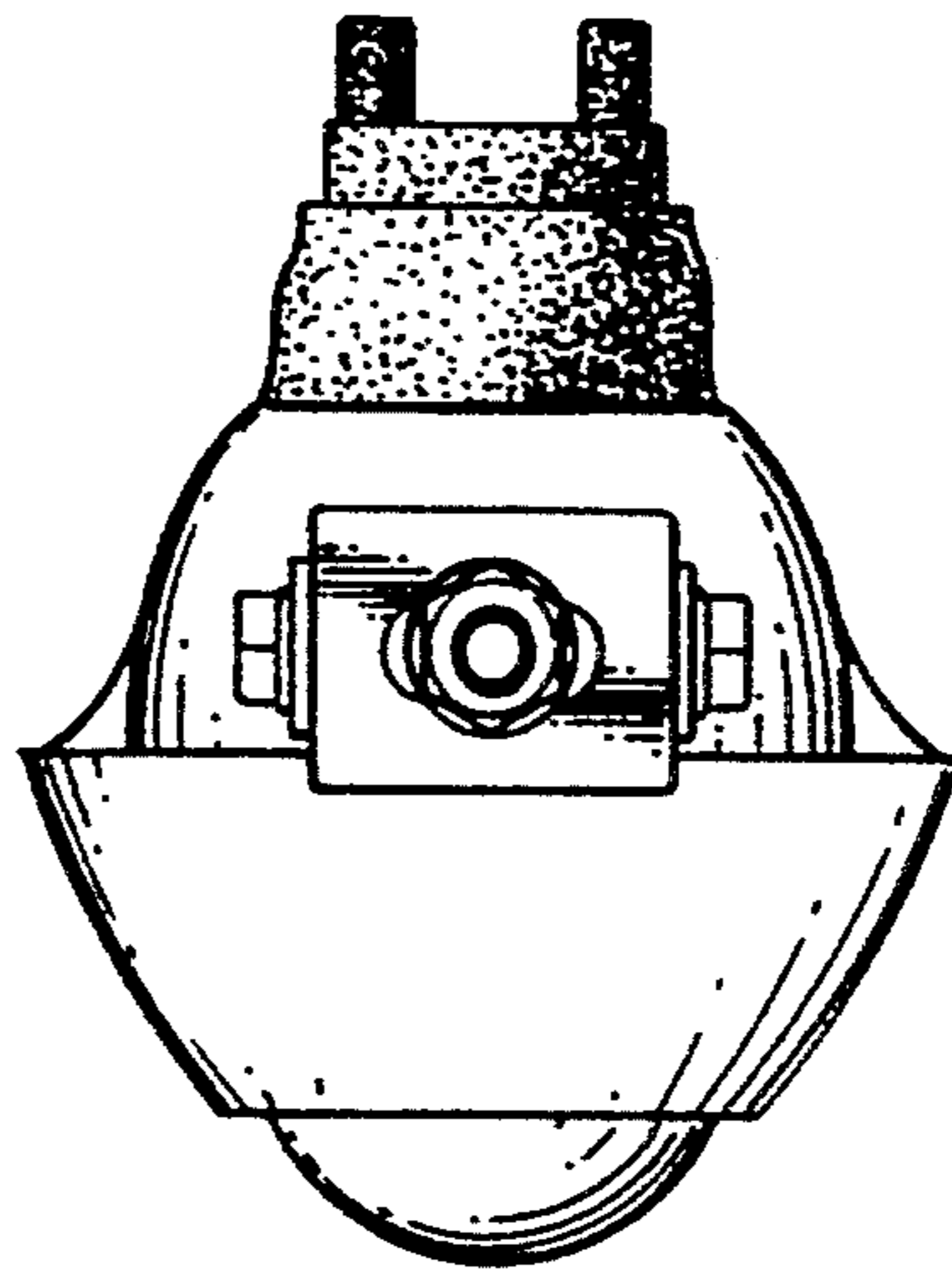


FIG. 2

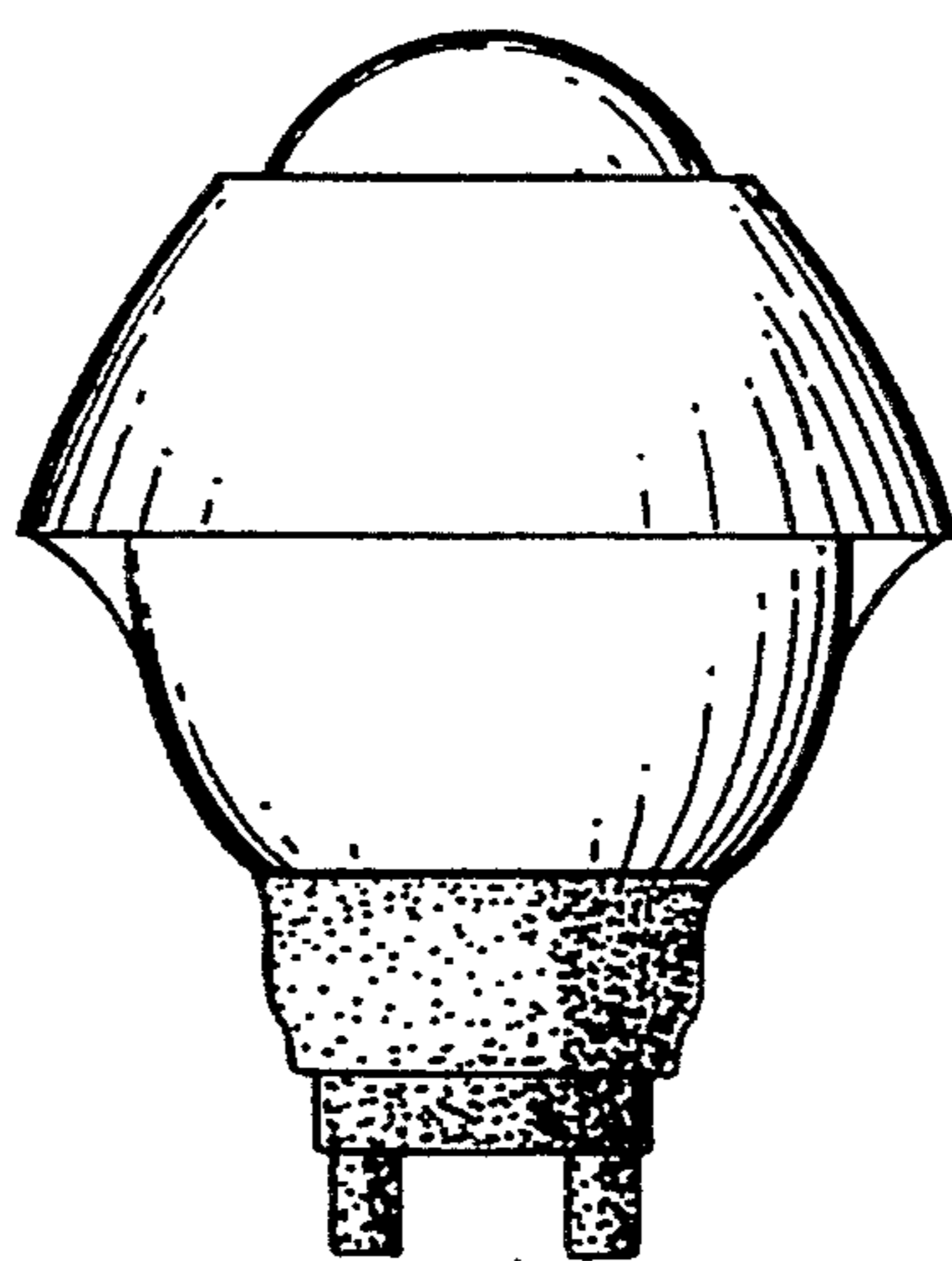


FIG. 3

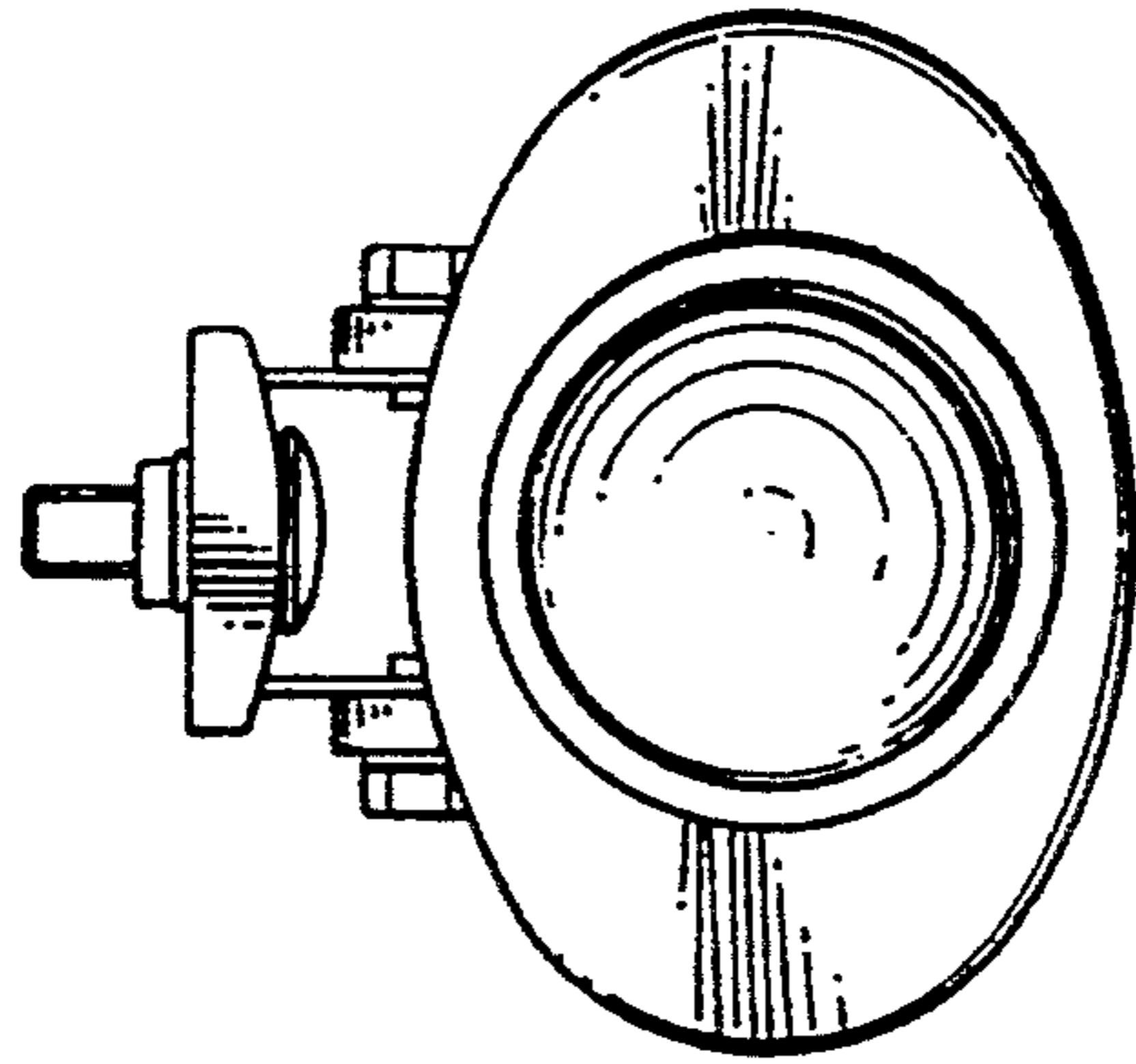


FIG.5

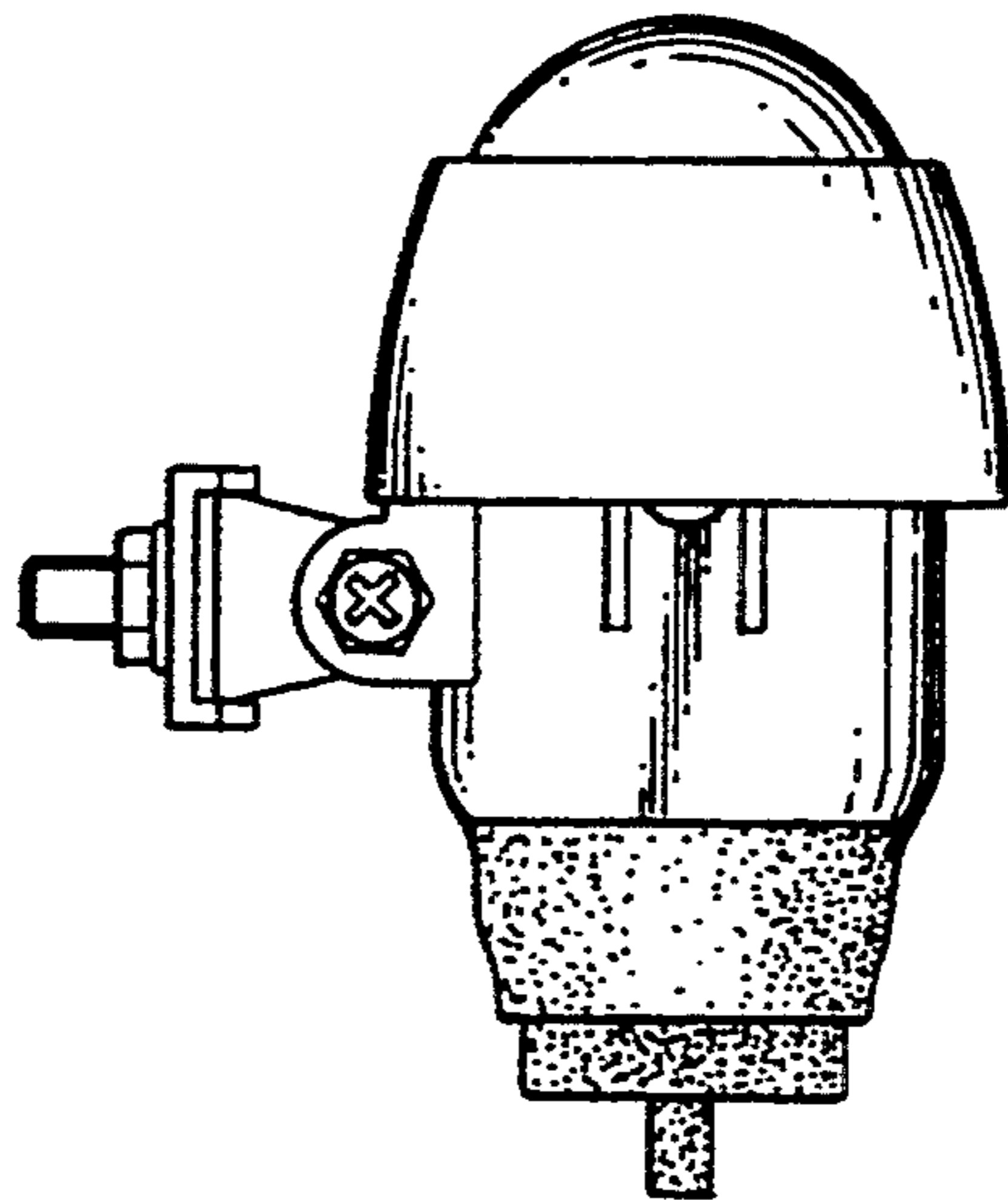


FIG.4

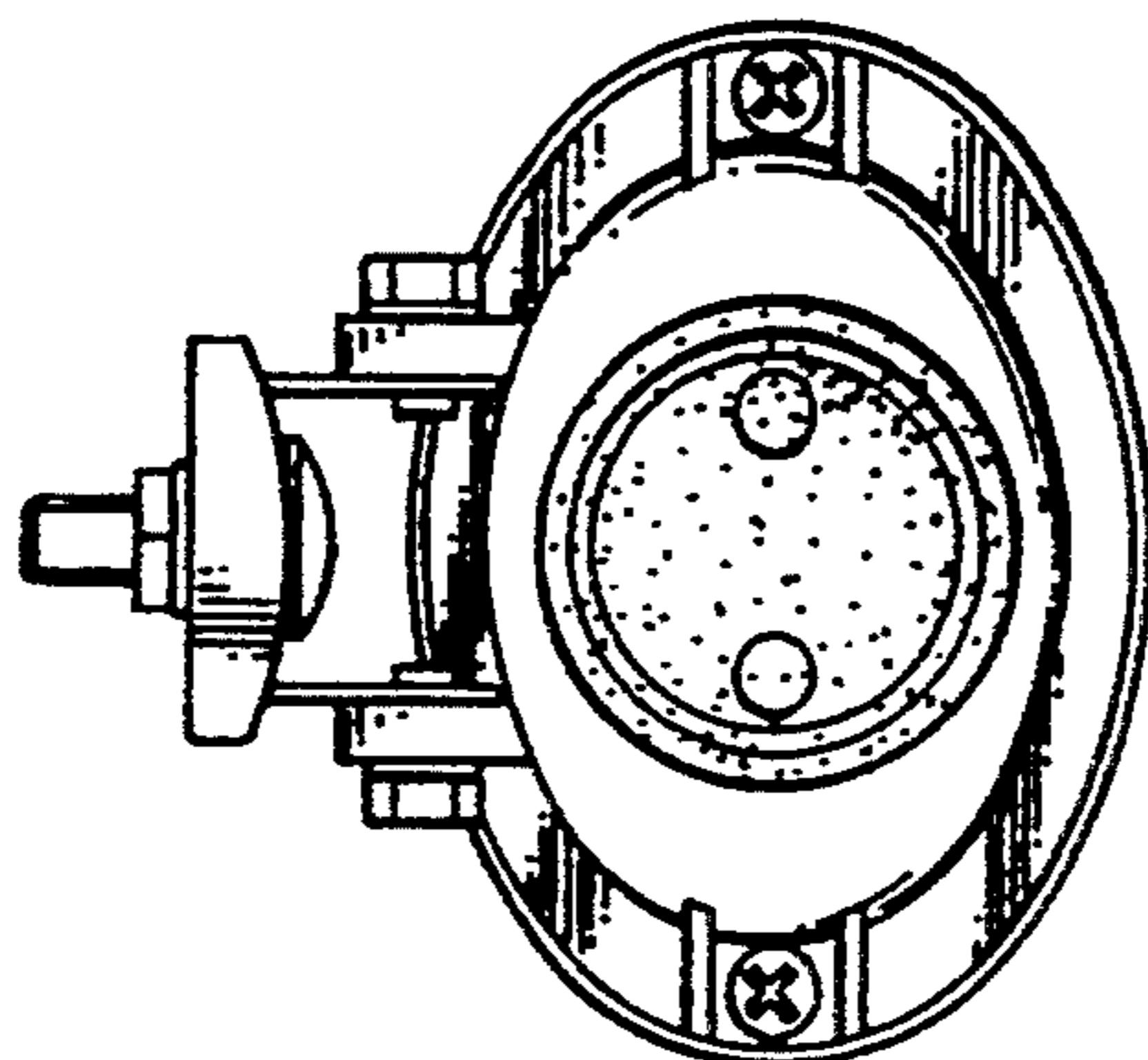


FIG.6