



US00D357751S

United States Patent [19]
Schrader

[11] **Patent Number: Des. 357,751**
[45] **Date of Patent: ** Apr. 25, 1995**

[54] **WINDOW COMPONENT EXTRUSION**

[56] **References Cited**

[75] **Inventor: Robert A. Schrader, Tacoma**

U.S. PATENT DOCUMENTS

D. 336,962 6/1993 Cole D25/124
4,974,364 12/1990 Dorham, Jr. 49/DIG. 2

[73] **Assignee: Mikron Industries, Kent, Wash.**

Primary Examiner—Doris Clark
Attorney, Agent, or Firm—Seed & Berry

[**] **Term: 14 Years**

[57] **CLAIM**

The ornamental design for a window component extrusion, as shown and described.

[21] **Appl. No.: 18,116**

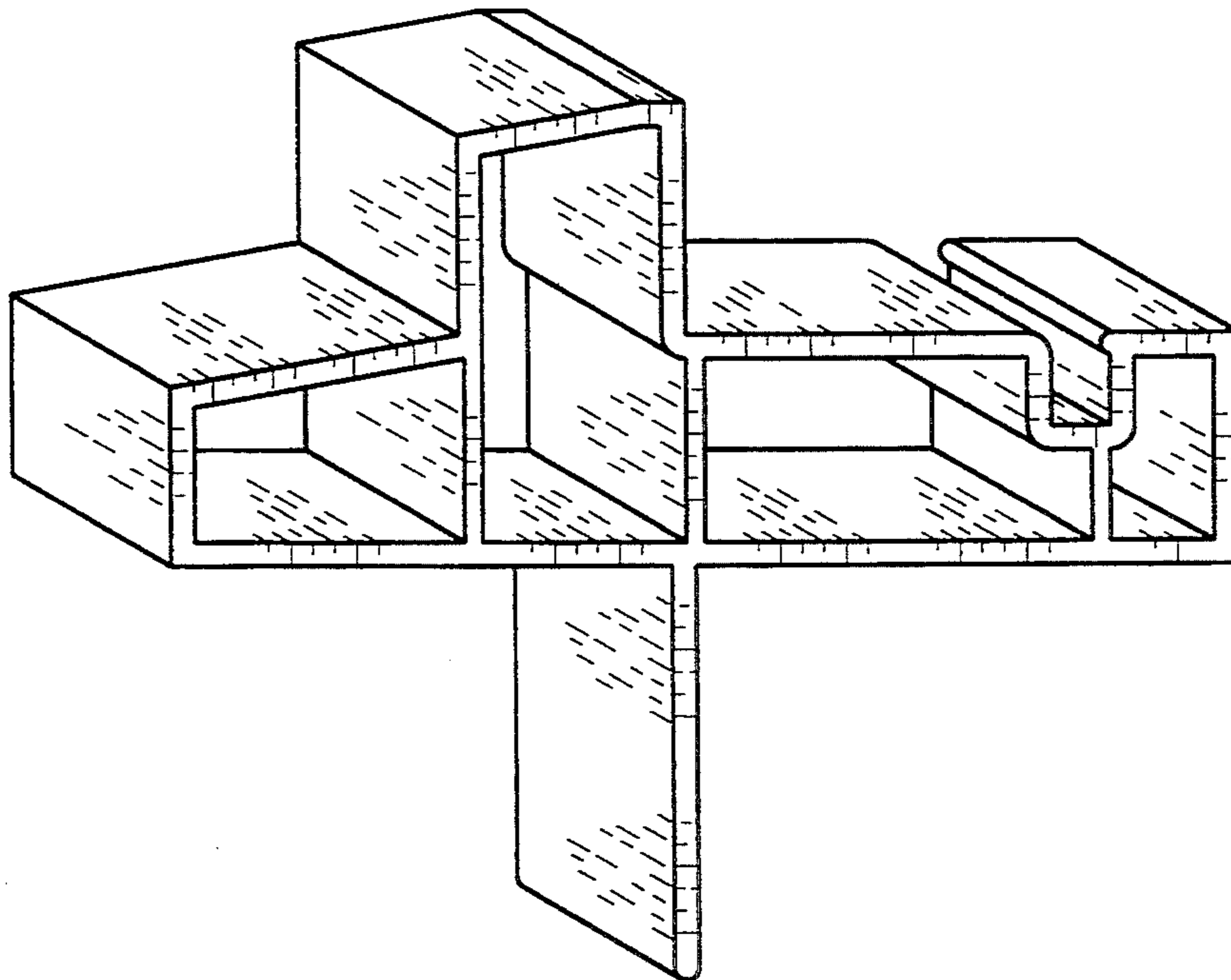
DESCRIPTION

[22] **Filed: Jan. 31, 1994**

[52] **U.S. Cl. D25/124**

[58] **Field of Search D25/124, 60, 52;
52/204.1, 205.1; 49/504-505, DIG. 1, DIG. 2**

FIG. 1 is a top right perspective view of a window component extrusion showing my new design, the window component extrusion being of indefinite length; and,
FIG. 2 is a bottom left perspective view thereof.



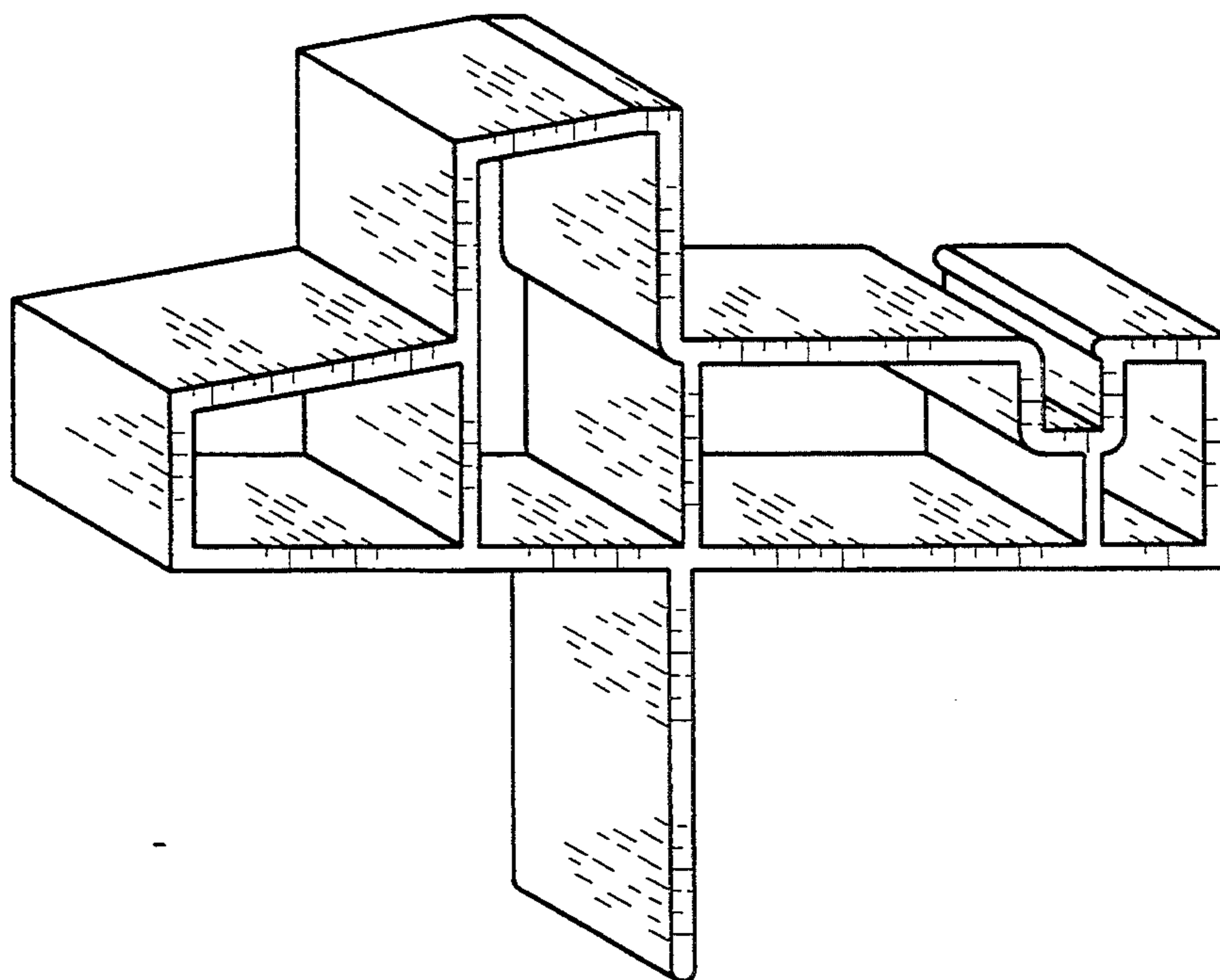


FIG. 1

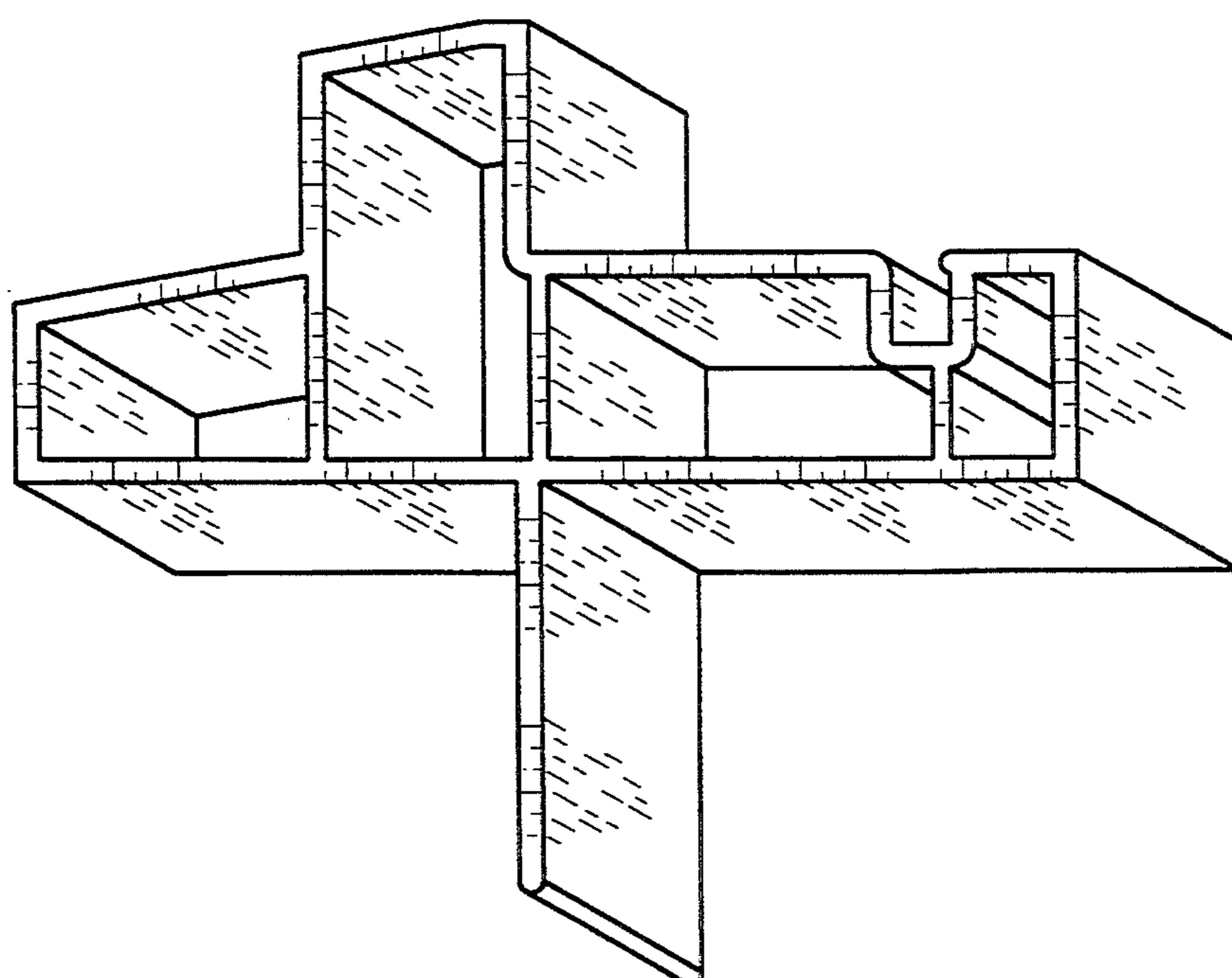


FIG. 2