



US00D357743S

United States Patent [19]

[11] Patent Number: **Des. 357,743**

Bilitz et al.

[45] Date of Patent: **** Apr. 25, 1995**

[54] **ELECTROTRANSPORT DRUG DELIVERY SYSTEM**

[75] Inventors: **Mark R. Bilitz**, Minneapolis; **Gary A. Lattin**, Forest Lake, both of Minn.

[73] Assignee: **ALZA Corporation**, Palo Alto, Calif.

[**] Term: **14 Years**

[21] Appl. No.: **3,175**

[22] Filed: **Dec. 31, 1992**

[52] U.S. Cl. **D24/189**

[58] Field of Search **D24/189; 604/20, 19; 128/639**

[56] **References Cited**

U.S. PATENT DOCUMENTS

D. 296,006	5/1988	Asche	D24/189
4,713,050	12/1987	Sibalis	604/20
5,006,108	4/1991	LaPrade	604/20
5,037,381	8/1991	Bock et al.	604/20
5,088,978	2/1992	Hillman et al.	604/20
5,169,382	12/1992	Theeuwes et al.	604/20

OTHER PUBLICATIONS

ALZA Technology, p. 5, Brochure was printed in Jan., 1992.

Primary Examiner—Stella Reid

Attorney, Agent, or Firm—D. Byron Miller; Steve F. Stone; Edward L. Mandell

[57] **CLAIM**

The ornamental design for an electrotransport drug delivery system, as shown.

DESCRIPTION

FIG. 1 is a top perspective view of an electrotransport drug delivery system, showing our new design; FIG. 2 is a top plan view thereof; FIG. 3 is a bottom plan view thereof; FIG. 4 is a side elevational view thereof; FIG. 5 is a side elevational view thereof, opposite that shown in FIG. 4; FIG. 6 is an end elevational view thereof; and, FIG. 7 is an end elevational view thereof, opposite that shown in FIG. 6.

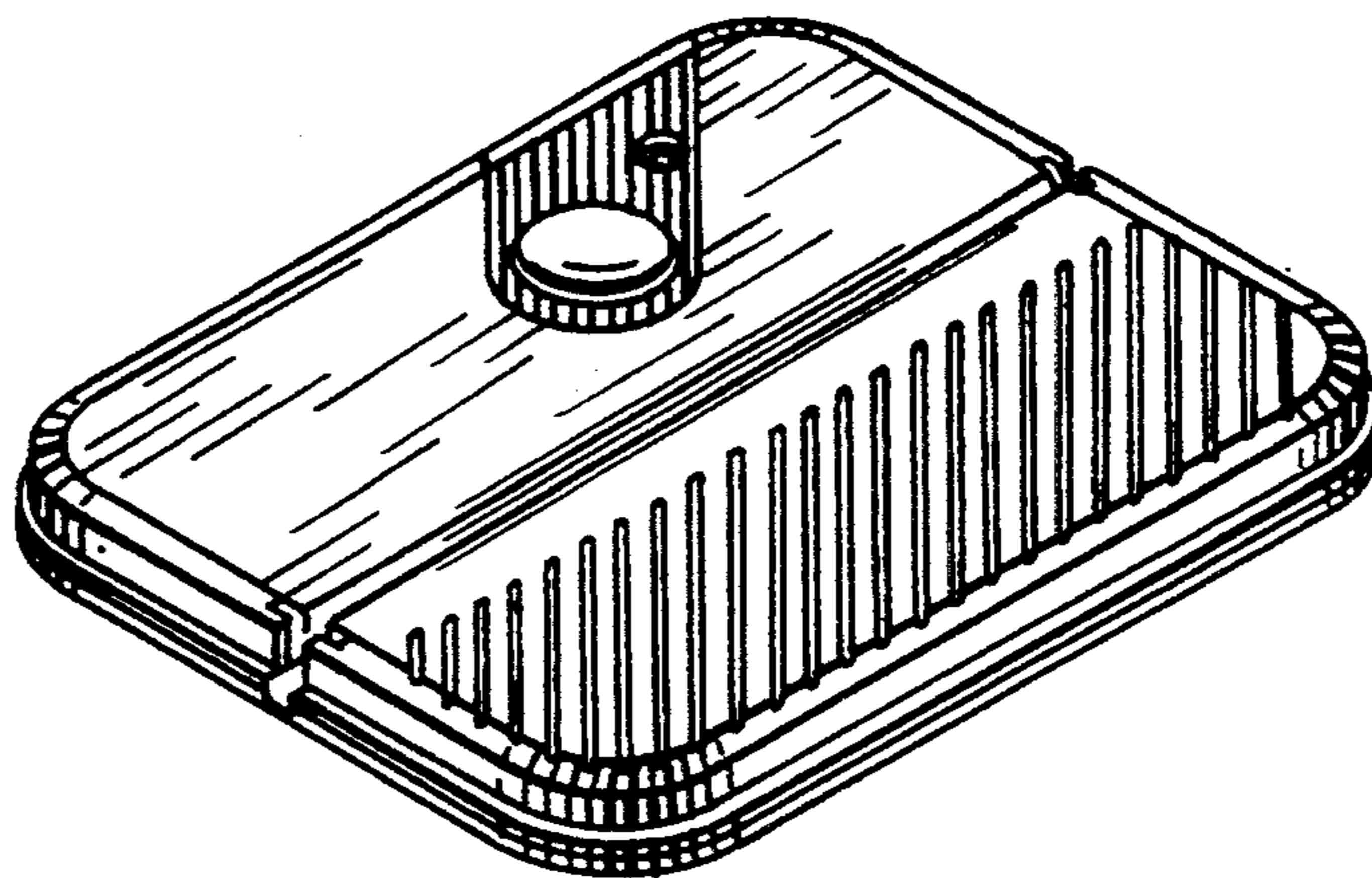


FIG.1

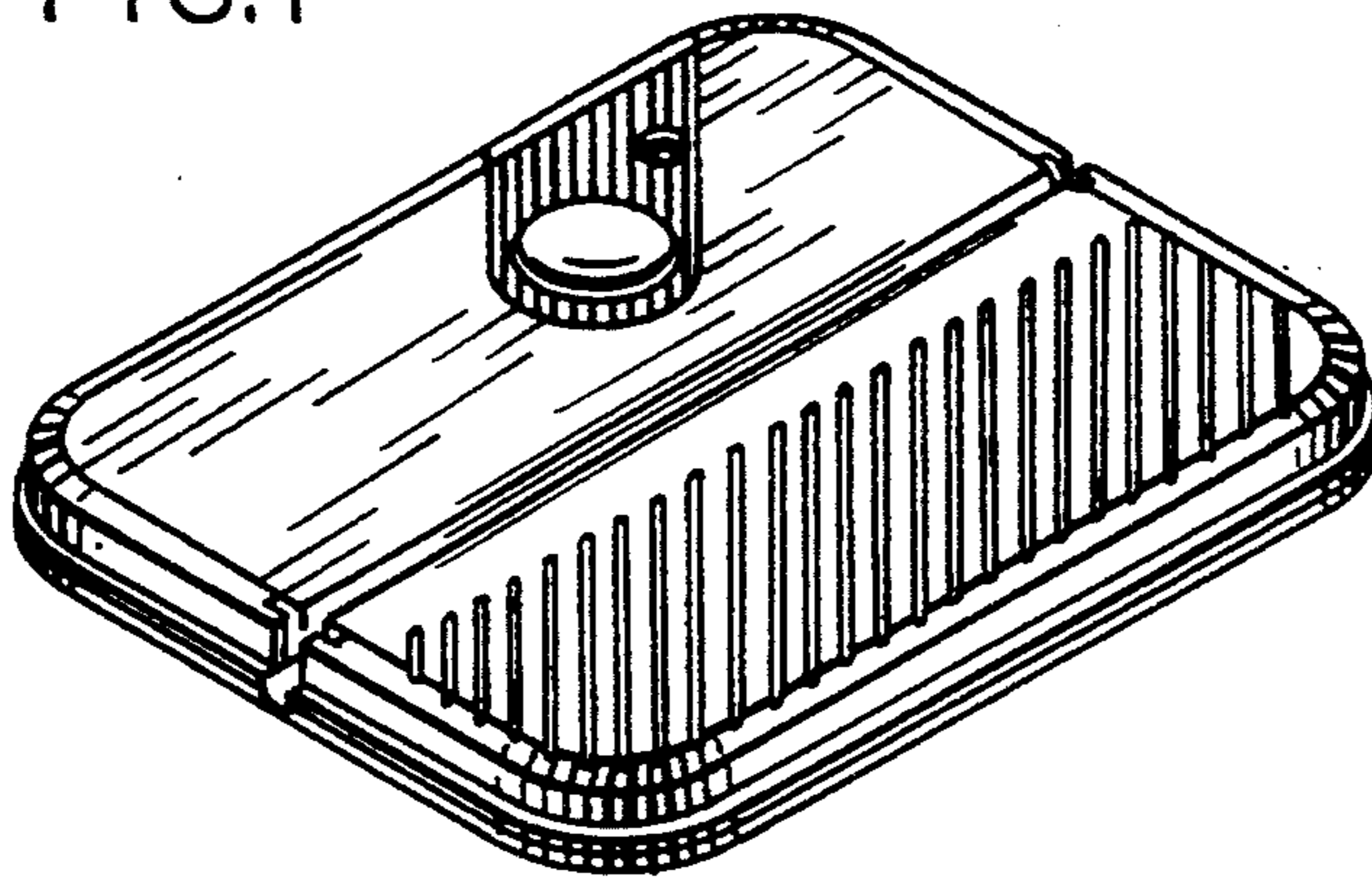


FIG.2

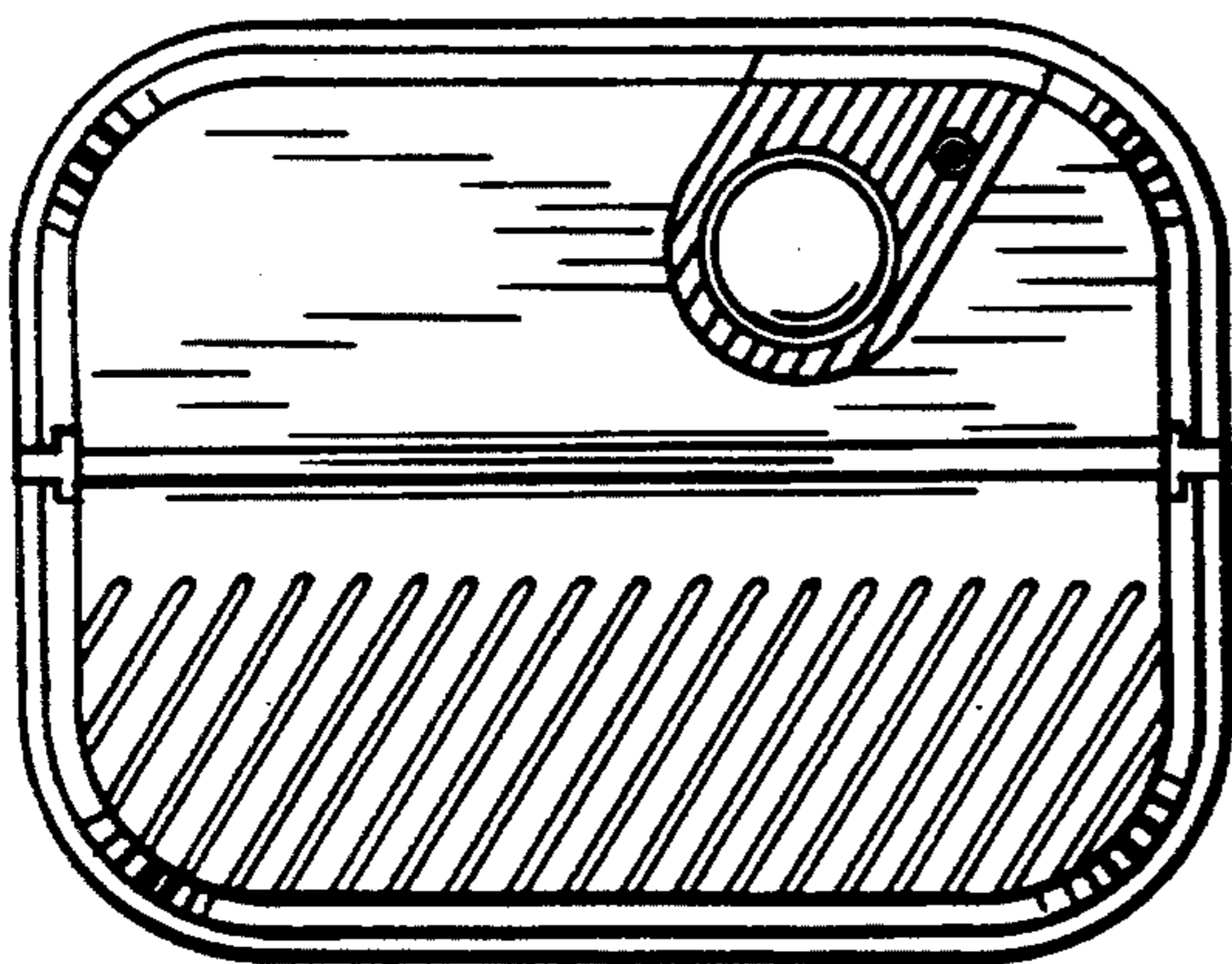


FIG.4

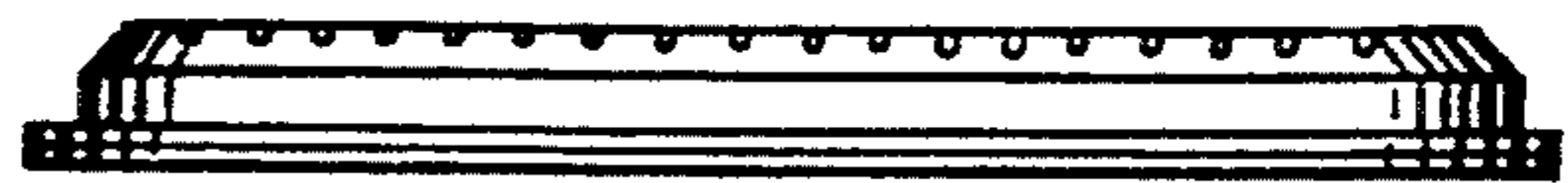


FIG.5

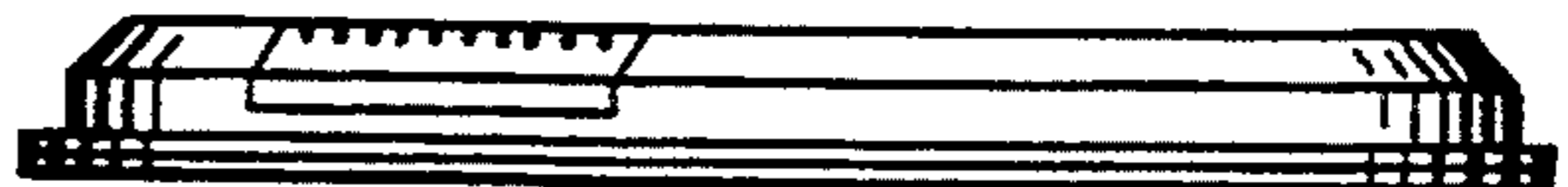


FIG.3

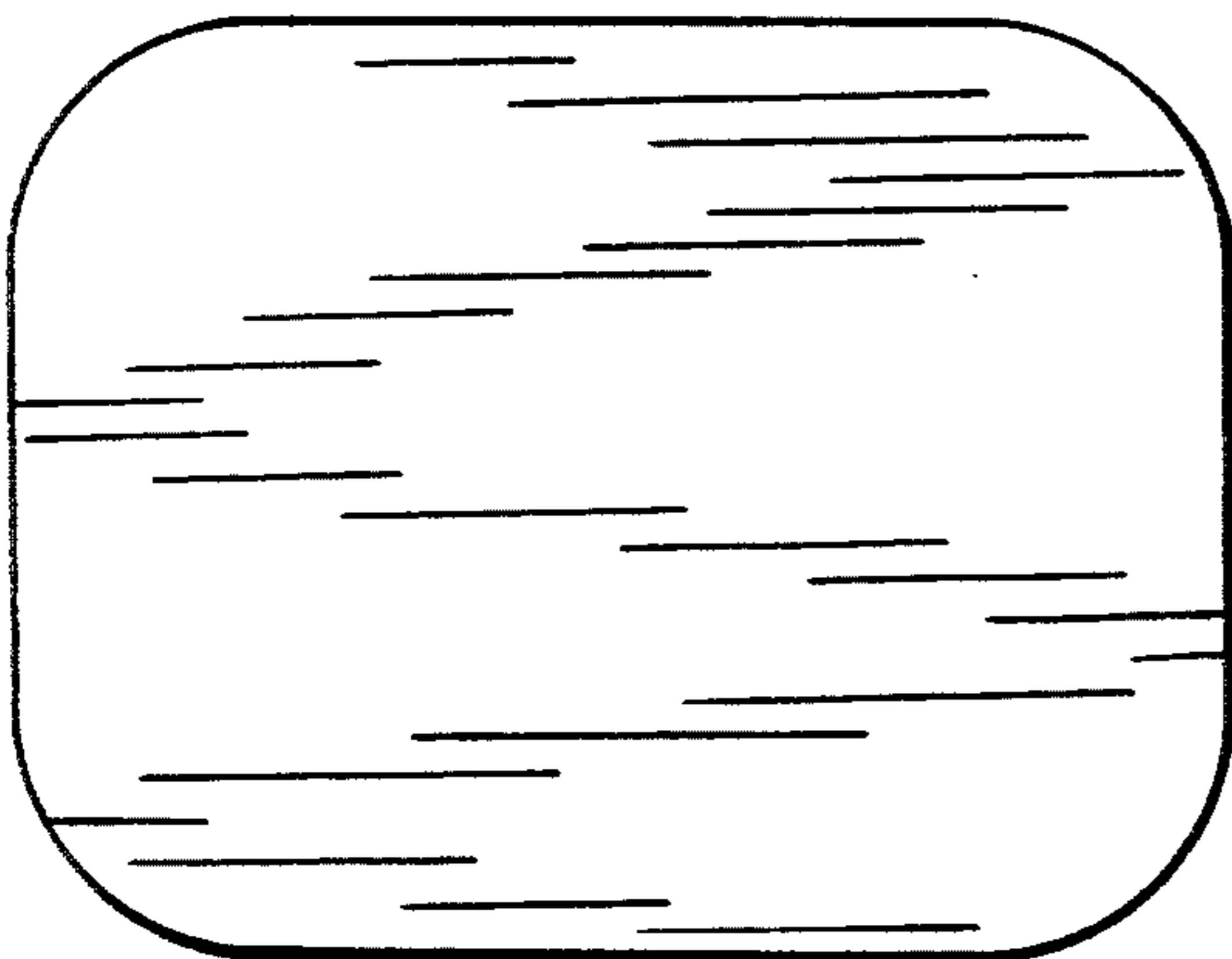


FIG.6



FIG.7

