



US00D357739S

# United States Patent [19]

[11] Patent Number: **Des. 357,739**

Stewart et al.

[45] Date of Patent: **\*\* Apr. 25, 1995**

[54] **PIVOTING SUPPORT MOUNT FOR CONNECTING A DENTAL CHAIR TO DENTAL EQUIPMENT**

[75] Inventors: **Wililam R. Stewart, Tigard; J. Rick Halbirt, Hubbard; Carl G. Nordstrom, Lake Oswego, all of Oreg.**

[73] Assignee: **A-Dec, Inc., Newberg, Oreg.**

[\*\*] Term: **14 Years**

[21] Appl. No.: **23,232**

[22] Filed: **May 20, 1994**

### Related U.S. Application Data

- [62] Division of Ser. No. 3,489, Jan. 8, 1993.
- [52] U.S. Cl. .... **D24/176; D24/178; D8/349**
- [58] Field of Search ..... **D24/176-178; 433/49-50, 52-53, 77, 79; D8/354, 349, 373-374, 380; 248/218.4, 220.2, 317, 300**

### References Cited

#### U.S. PATENT DOCUMENTS

D. 197,406	1/1964	Haas	.....	D24/177
D. 225,855	1/1973	Krantz	.....	D24/177
D. 233,990	12/1974	Booth	.....	D24/177
D. 246,534	11/1977	Buckley	.....	D24/177
D. 258,007	1/1981	Schmidt	.	
D. 285,647	9/1986	Sachs	.....	D8/354 X
D. 312,205	11/1990	deRooij	.....	D8/373
D. 325,866	5/1992	Gary	.....	D8/354
3,650,033	3/1972	Behne et al.	.	
3,653,125	4/1972	Heubeck	.	
3,718,974	3/1973	Buchtel et al.	.	
3,771,226	11/1973	Lieb et al.	.	
3,813,147	5/1974	Rick	.	
4,332,557	6/1982	Watanabe	.	
4,878,709	11/1989	Okamoto	.	
4,883,316	11/1989	Austin, Jr. et al.	.	
5,176,423	1/1993	Austin, Jr., et al.	.	

#### OTHER PUBLICATIONS

1991 A-Dec Equipment 177-page catalog, cover and pp. 31-54, circa Jan., 1991.  
 A-Dec "Preference" six-page brochure, Sep. 1982.

A-Dec "Century" one-page advertisement, circa 1977.  
 Robin Dental Company 40-page catalog, cover and pp. 7-11, Feb. 1985.

ETII 3-page brochure circa Jan. 1991.  
 Marus Dental Equipment 15-page catalog, cover and pp. 4-11, Spring 1982.  
 Robin Dental Company catalog, cover and 1 page, circa Nov. 1980.

(List continued on next page.)

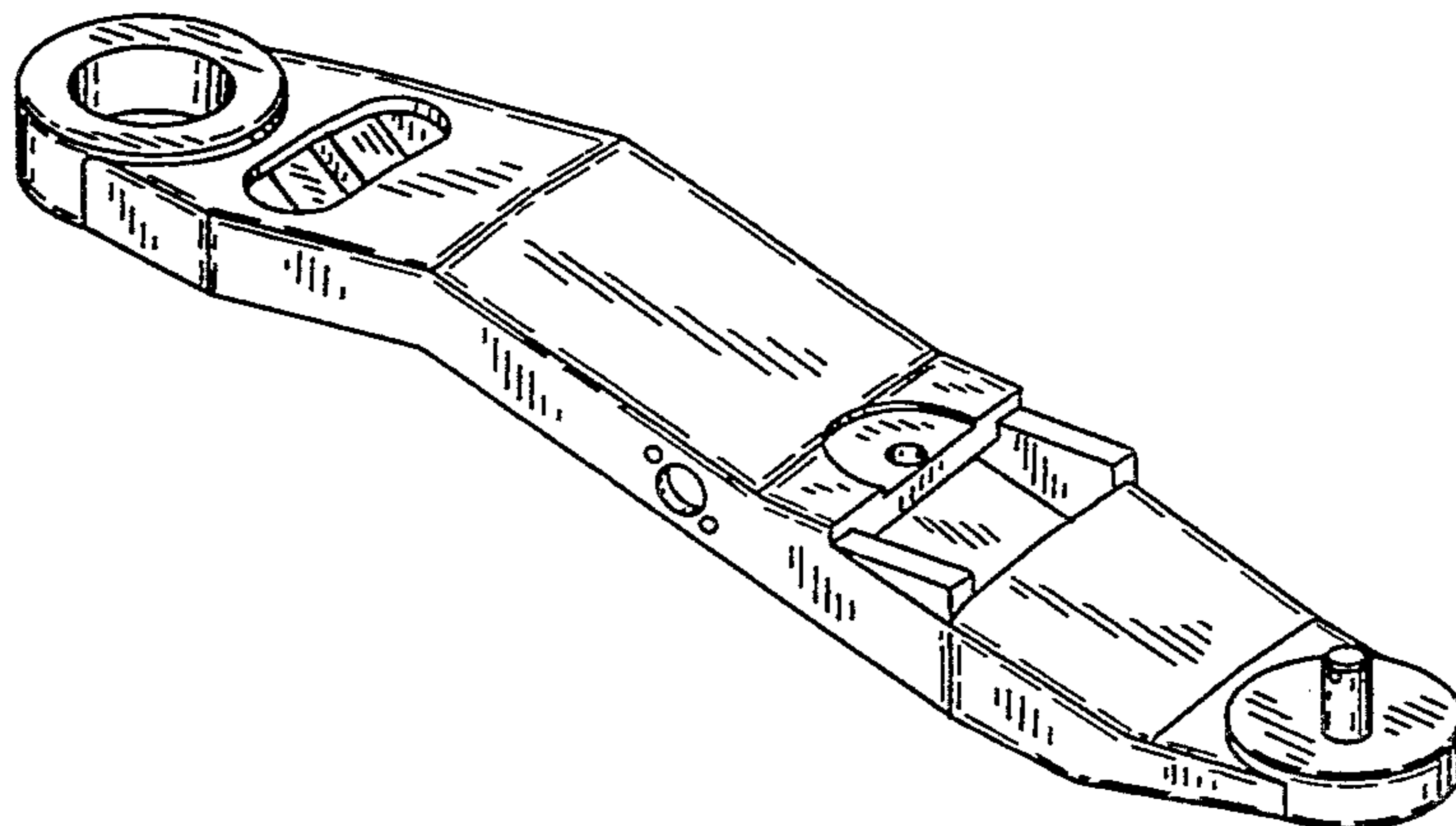
*Primary Examiner*—James M. Gandy  
*Assistant Examiner*—M. H. Tung  
*Attorney, Agent, or Firm*—Klarquist Sparkman  
 Campbell Leigh & Whinston

### [57] CLAIM

The ornamental design for a pivoting support mount for connecting a dental chair to dental equipment, as shown and described.

### DESCRIPTION

FIG. 1 is a perspective view of a pivoting support mount for connecting a dental chair to dental equipment showing our new design.  
 FIG. 2 is a left-side elevational view of the pivoting support mount for connecting a dental chair to dental equipment of FIG. 1, the right-side elevational view being the mirror image thereof;  
 FIG. 3 is a bottom plan view of the pivoting support mount for connecting a dental chair to dental equipment of FIG. 1;  
 FIG. 4 is a top plan view of the pivoting support mount for connecting a dental chair to dental equipment of FIG. 1;  
 FIG. 5 is a cross-sectional view taken along line 5-5 of FIG. 4;  
 FIG. 6 is a sectional view taken along line 6-6 of FIG. 5; and,  
 FIG. 7 is a sectional view taken along line 7-7 of FIG. 2.



OTHER PUBLICATIONS

Robin Dental Company equipment catalog, cover and 1 page, circa Sep. 1981.

Parkell one-page indexed price list, Feb. 1972.

Weber Dental Criterion-300, cover page only, Apr. 16, 1973.

Parkell Trac 3 Operator's Manual, 2 pages, circa 1979.

A-Dec "Continental System" two-page brochure circa Jan. 1991.

A-Dec "Decade 1015 Chair" eight-page brochure, pp. 1-4, 1990.

Osada "FX Series" 31-page Japanese language brochure, cover and pp. 8, 13, 15, 19 and 21, circa Jan. 1991.

A-Dec two-page compilation of holder devices: 1969, 1974, 1976, 1980, 1987, 1991, circa Jan. 1991.

A-Dec "J-Dec" two-page Japanese language equipment Brochure, circa Jan. 1991.

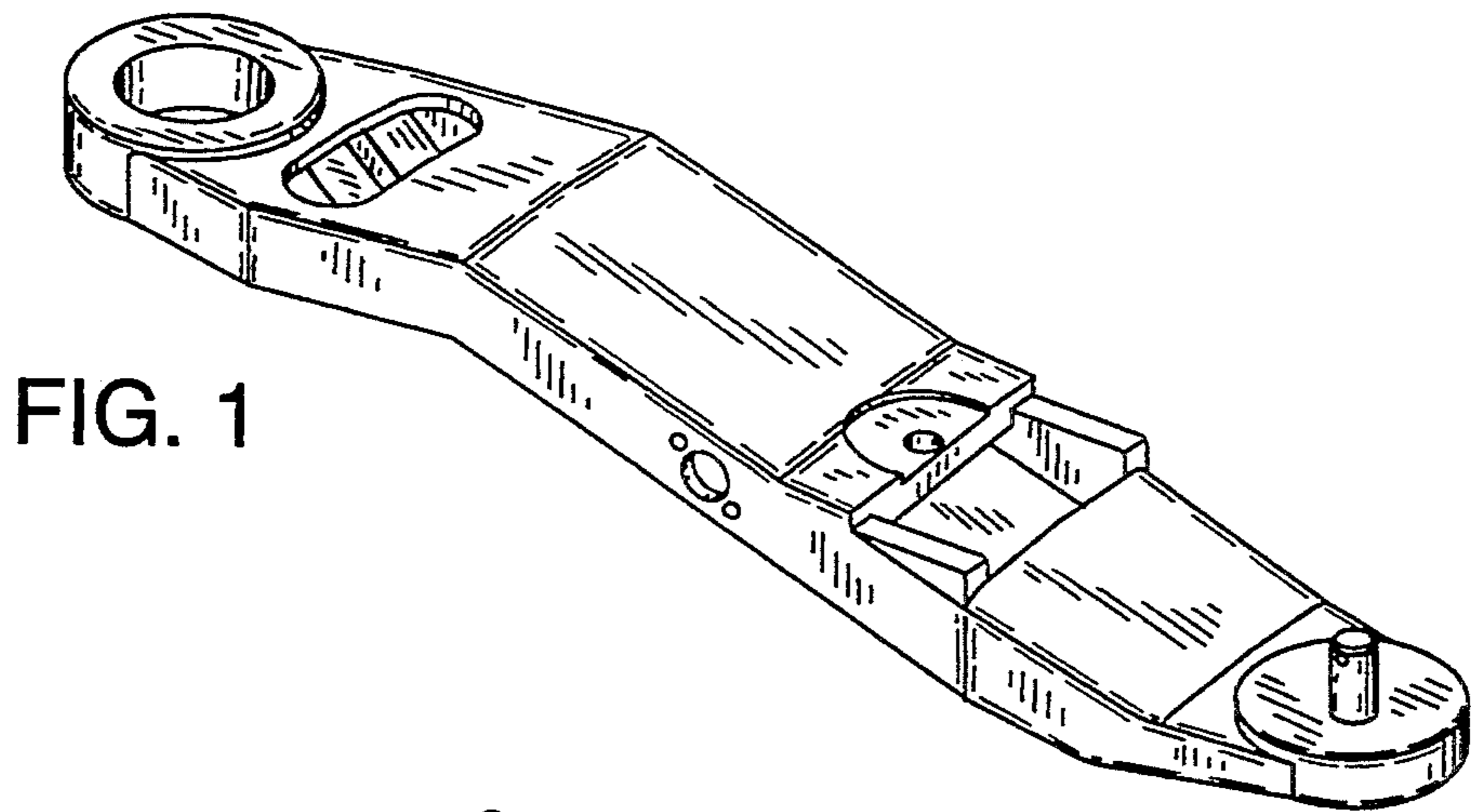


FIG. 1

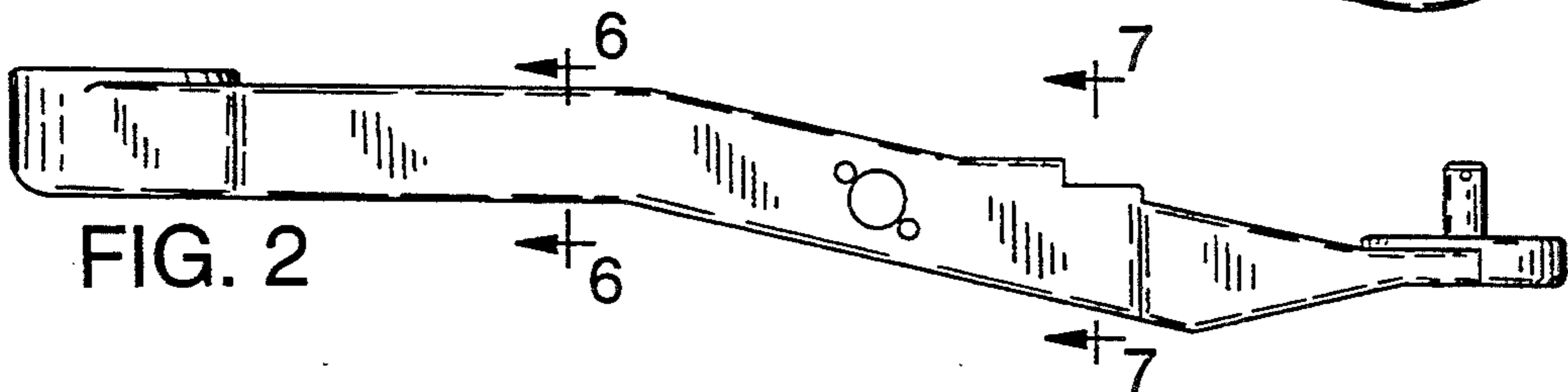


FIG. 2

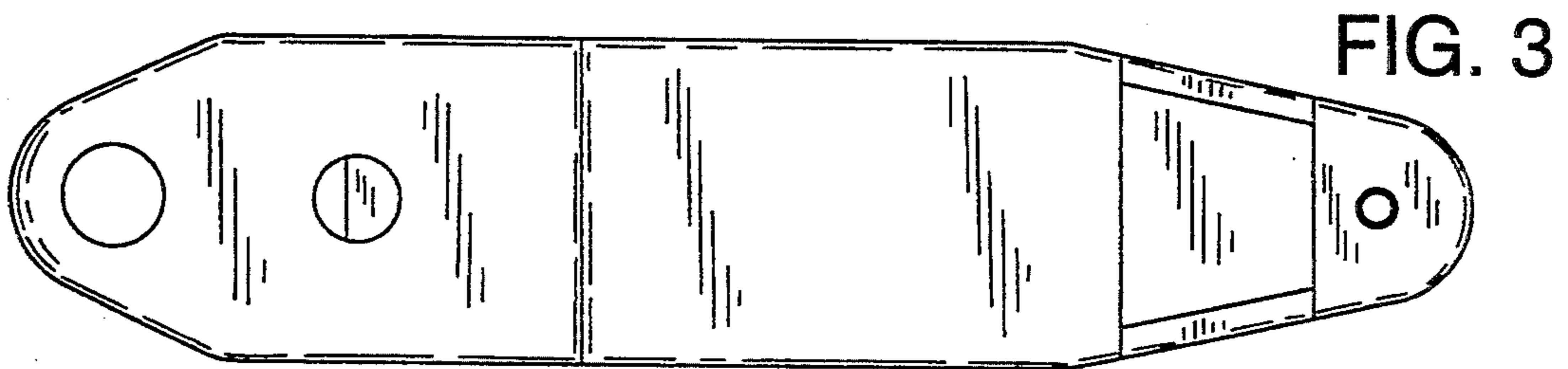


FIG. 3

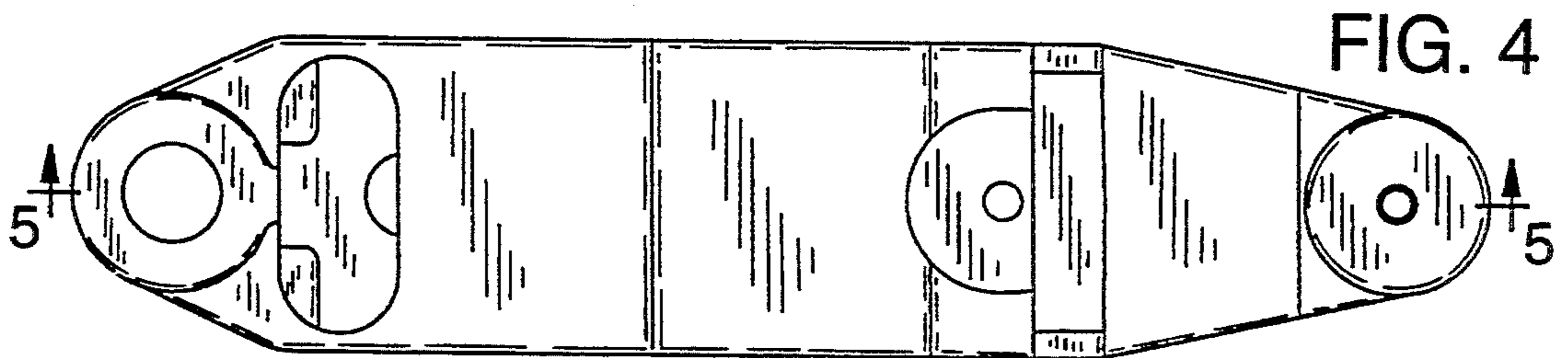


FIG. 4

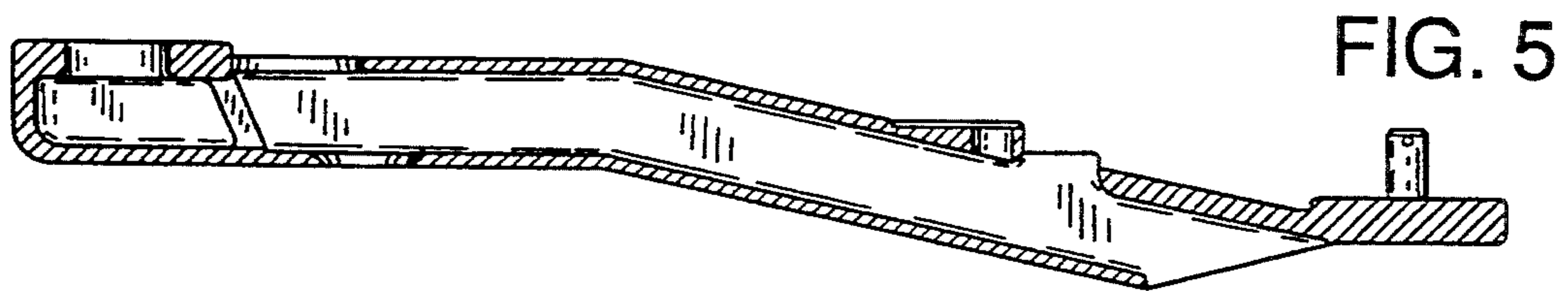


FIG. 5

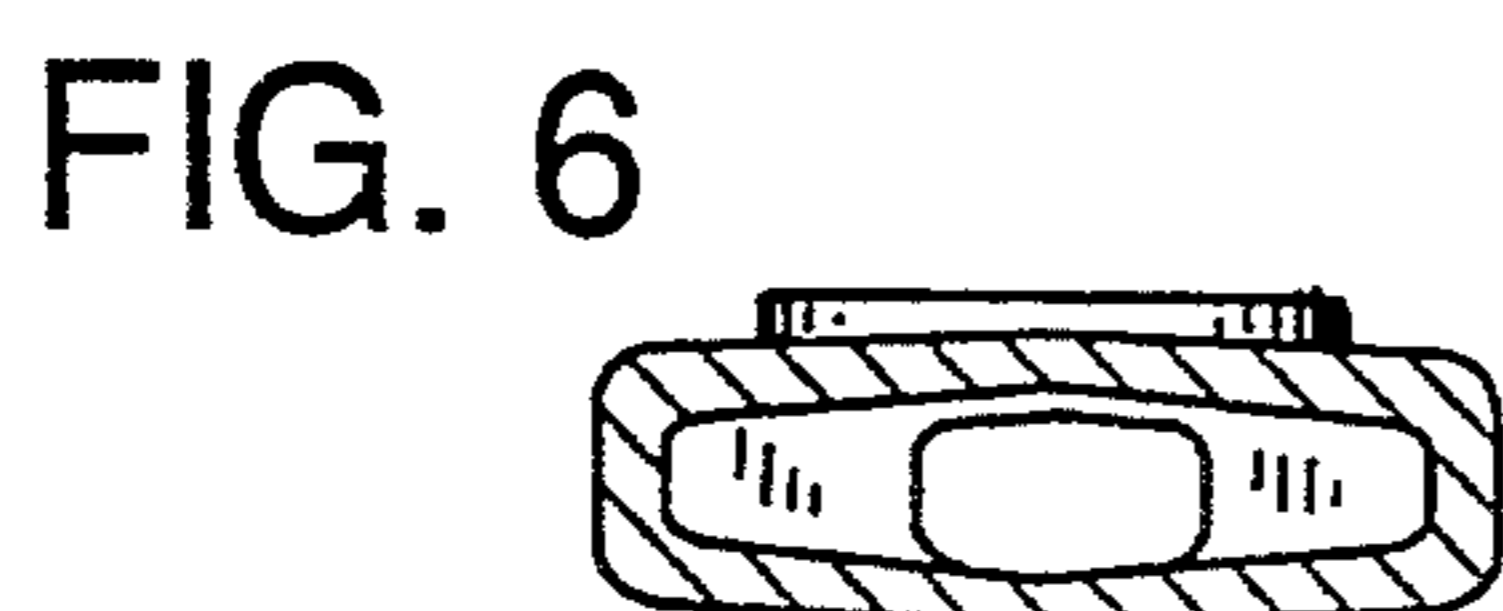


FIG. 6

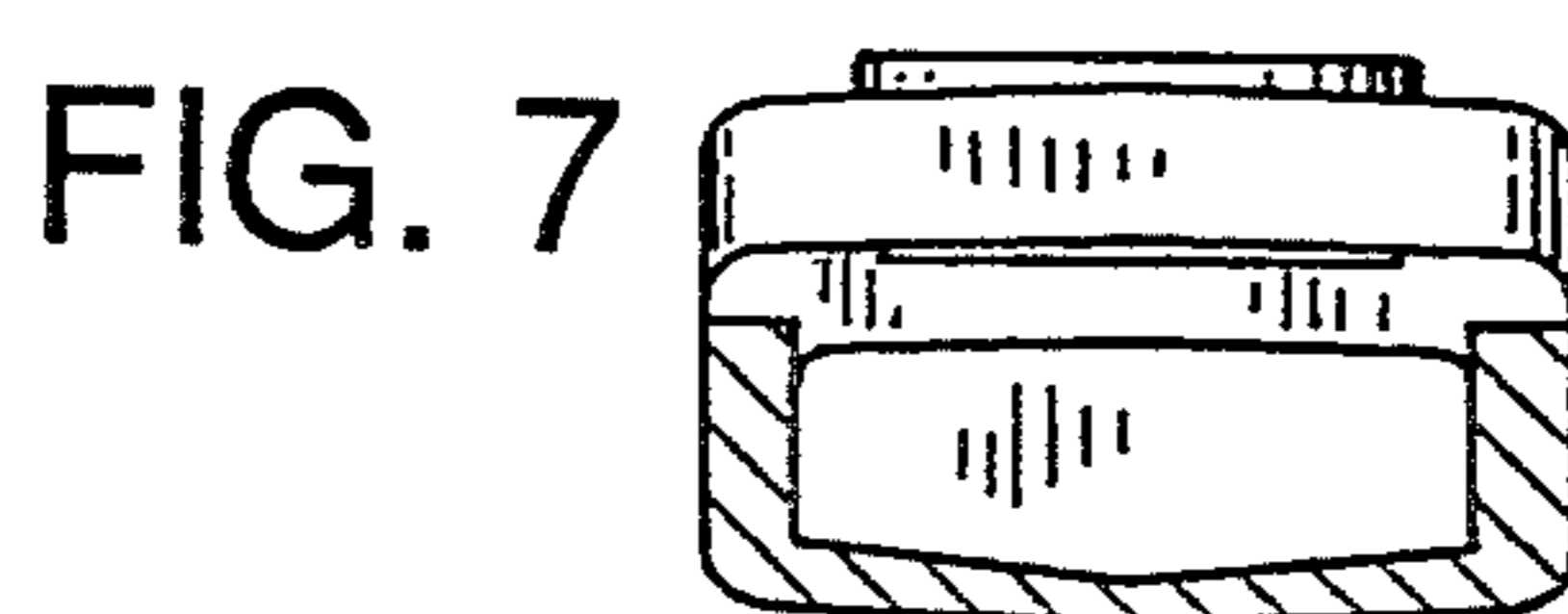


FIG. 7