



US00D357738S

# United States Patent [19]

[11] Patent Number: **Des. 357,738**

**Kaufman**

[45] Date of Patent: **\*\* Apr. 25, 1995**

[54] **SURGICAL PLUME FILTER ENCASUREMENT**

[56] **References Cited**

[76] Inventor: **David W. Kaufman**, 5725 W. Harold Gatty Dr., Salt Lake City, Utah 84116

### U.S. PATENT DOCUMENTS

4,642,128	2/1987	Solorzano .....	55/217
4,963,134	10/1990	Backscheider et al. ....	604/319
5,288,469	2/1994	Skalla .....	422/171
5,342,349	8/1994	Kaufman .....	604/35 X

[\*\*] Term: **14 Years**

*Primary Examiner*—Stella Reid

[21] Appl. No.: **16,115**

### [57] CLAIM

The ornamental design for a surgical plume filter encasement, as shown.

[22] Filed: **Dec. 8, 1993**

### DESCRIPTION

[52] U.S. Cl. .... **D24/162**

[58] Field of Search ..... D24/162; 604/315, 317, 604/319; 55/233, 279, 467, 217, 274; 422/171, 169, 122, 415

FIG. 1 is a perspective front elevation view; FIG. 2 is a top or bottom plan view; FIG. 3 is a left or right side plan view; and, FIG. 4 is a rear plan view.

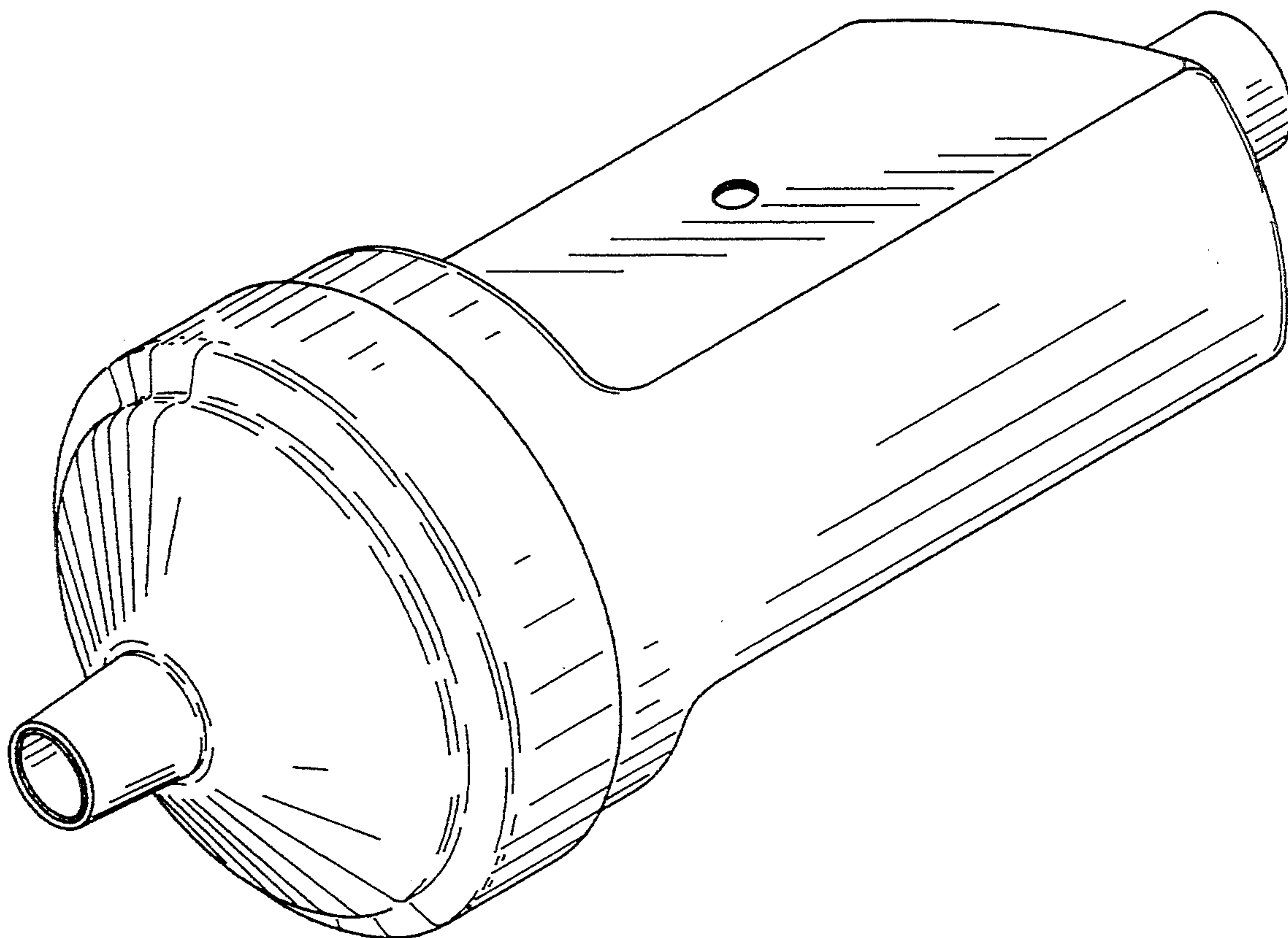


Fig. 1

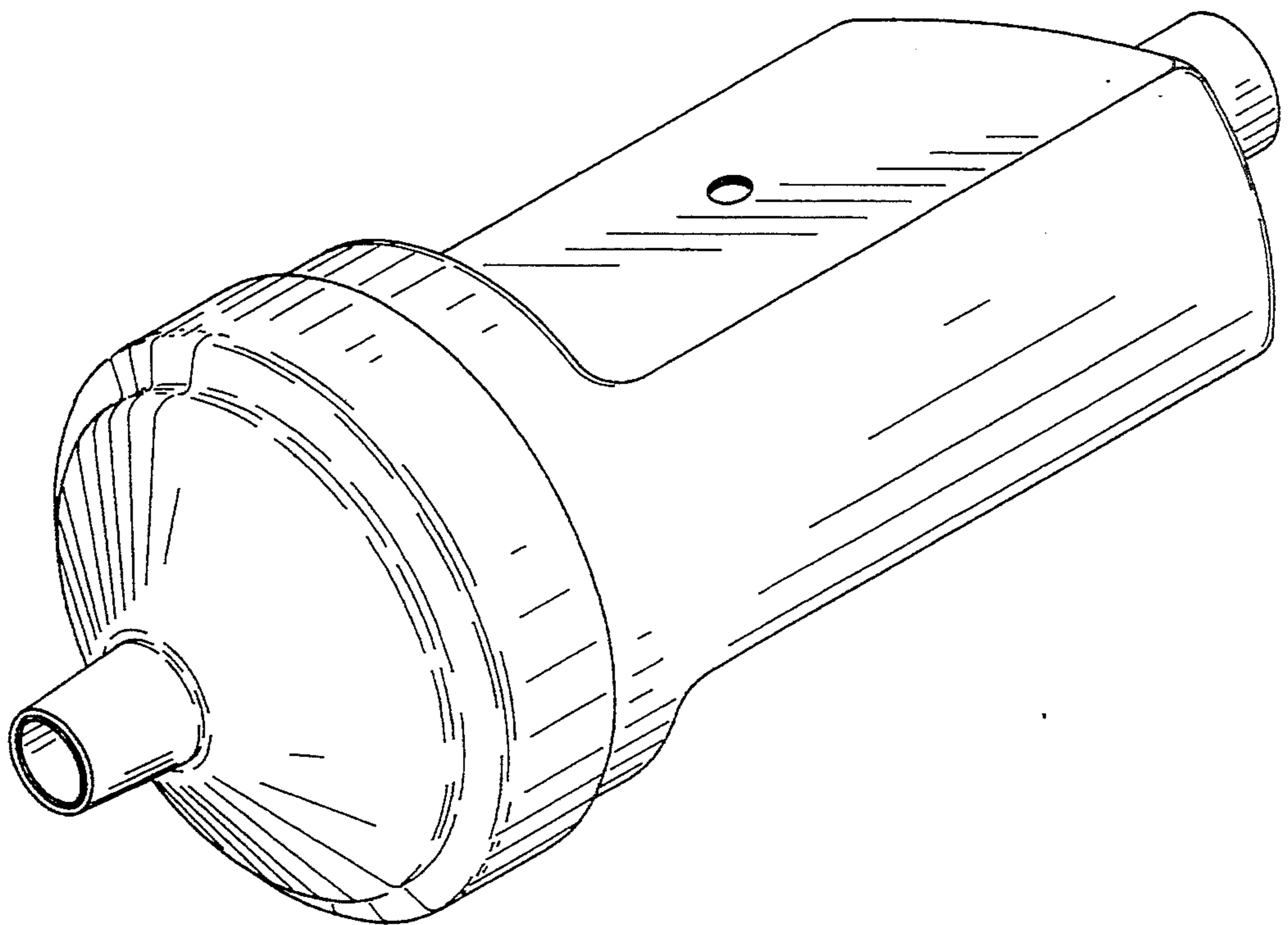


Fig. 2

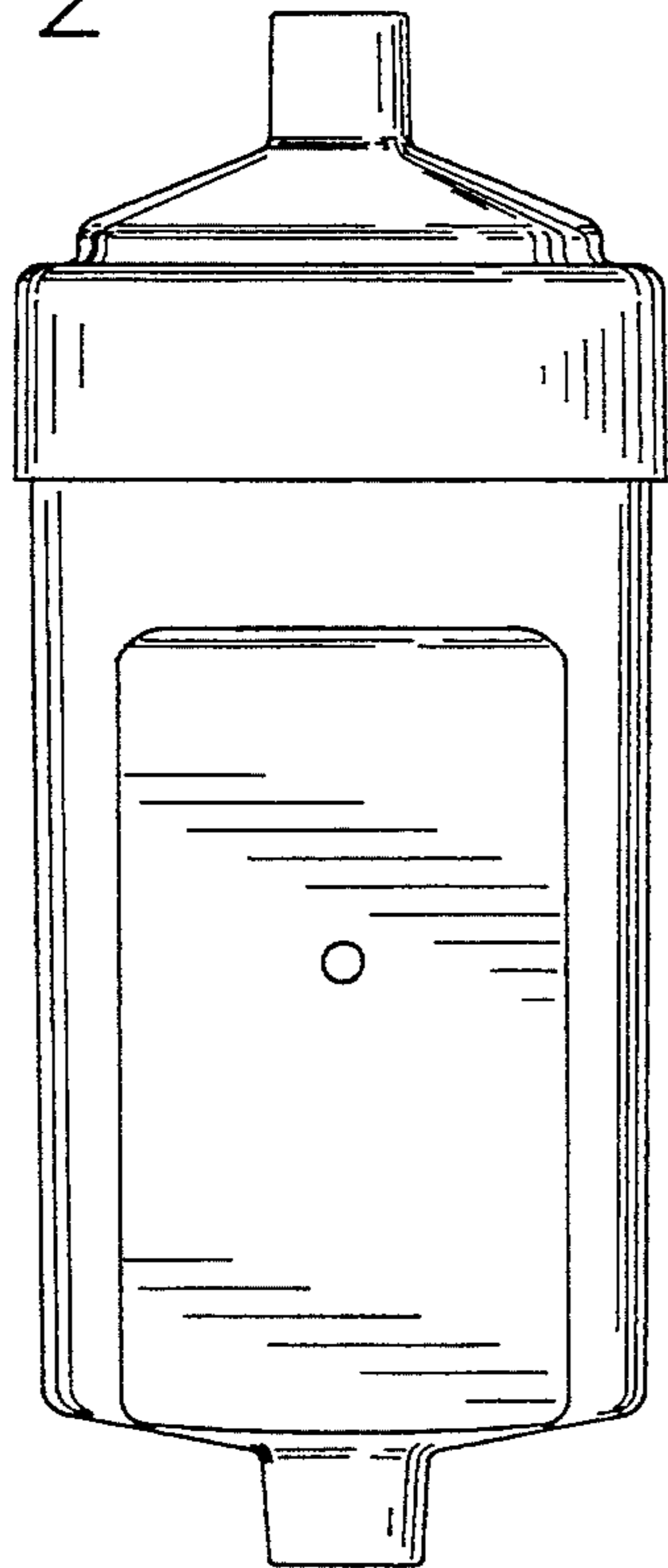


Fig. 3

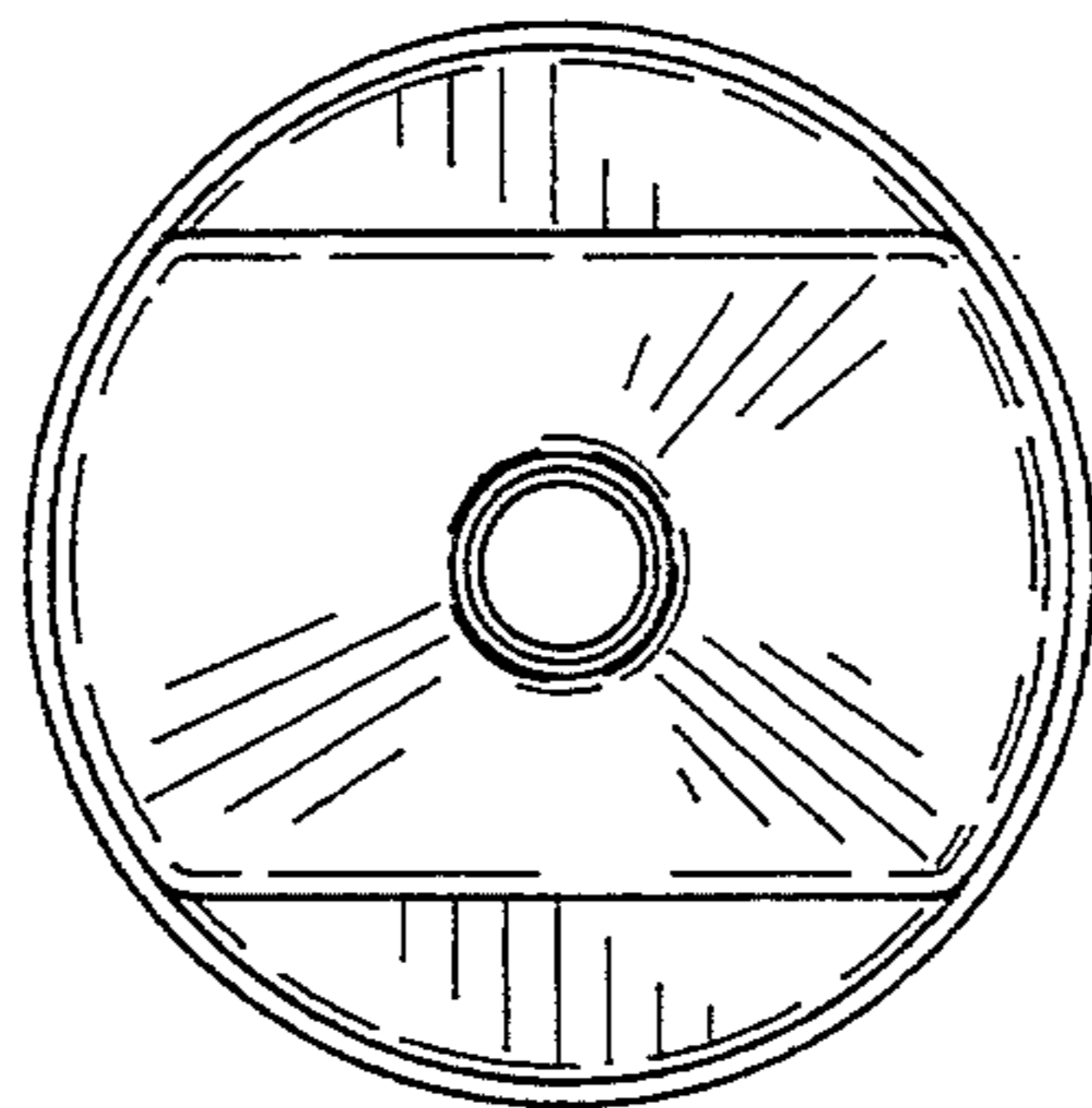
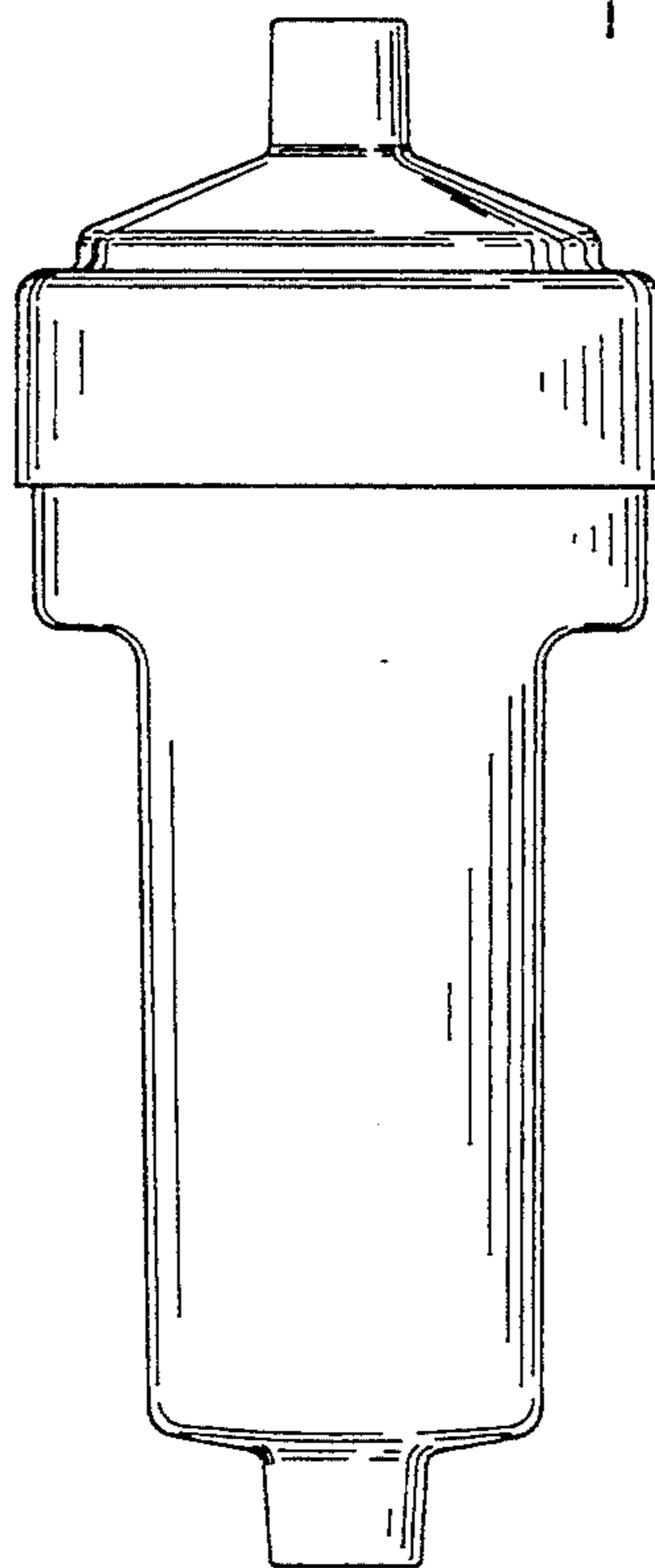


Fig. 4