



US00D357737S

United States Patent [19]

[11] Patent Number: **Des. 357,737**

Spearman

[45] Date of Patent: **** Apr. 25, 1995**

[54] **BOX FILTER**

[75] Inventor: **Michael R. Spearman**, St. Paul, Minn.

[73] Assignee: **Porous Media Corporation**, St. Paul, Minn.

[**] Term: **14 Years**

[21] Appl. No.: **10,022**

[22] Filed: **Jun. 24, 1993**

[52] U.S. Cl. **D24/162; D23/209**

[58] Field of Search **D24/162; 210/445, 446, 210/451, 493.3, 769, 770; D23/209**

3,815,754	6/1974	Rosenberg .	
4,014,797	3/1977	Raines et al. .	
4,187,182	2/1980	Rosenberg .	
5,133,879	7/1992	Tiittanen	210/770

Primary Examiner—Stella Reid
Attorney, Agent, or Firm—Marshall & Melhorn

[57] **CLAIM**

The ornamental design for a box filter, as shown and described.

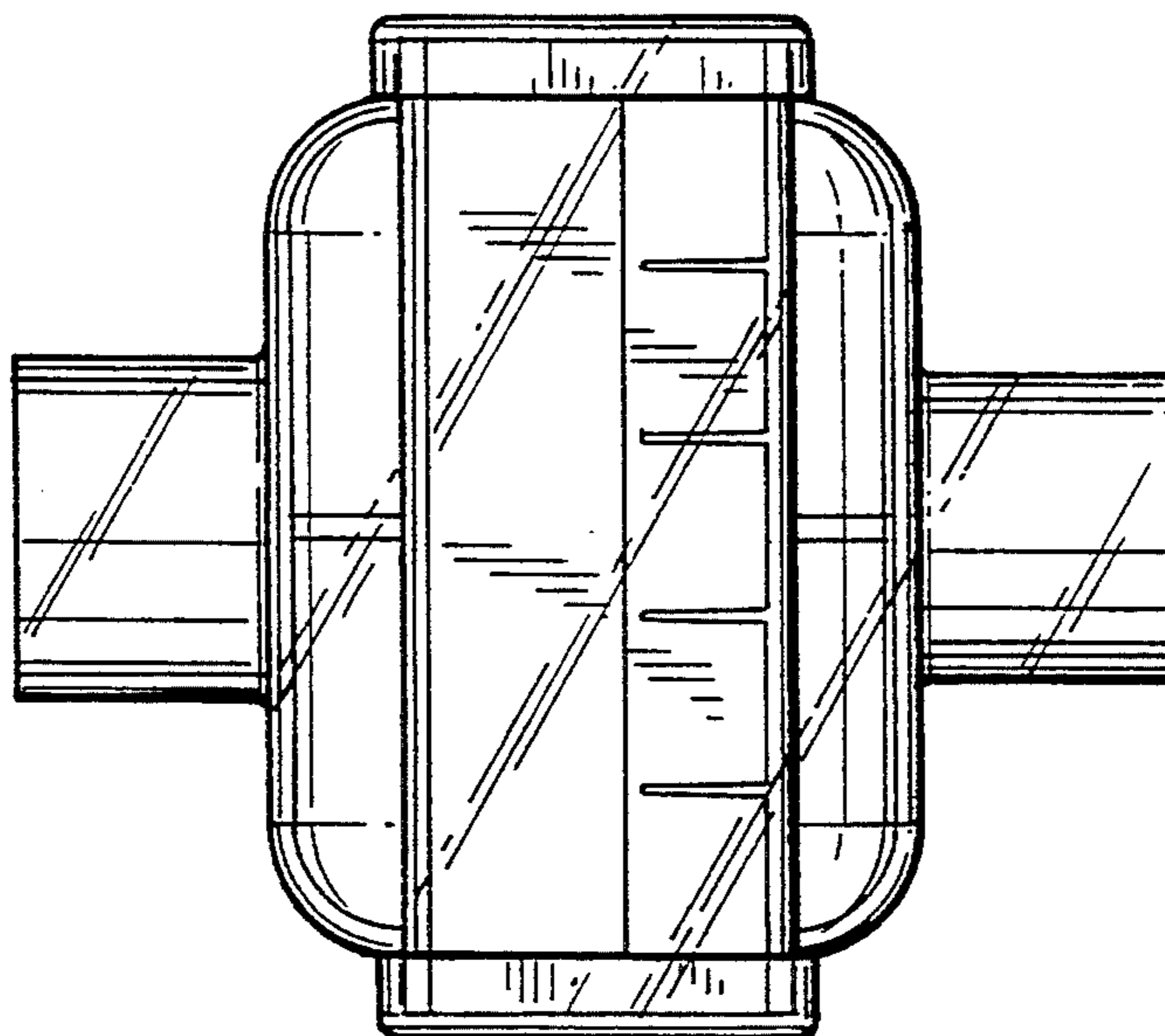
DESCRIPTION

FIG. 1 is a side elevational view of a box filter, showing my new design, the opposite side elevational view being identical thereto;
 FIG. 2 is a right end elevational view thereof;
 FIG. 3 is a left end elevational view thereof;
 FIG. 4 is a top plan view thereof, the bottom plan view being identical thereto;
 FIG. 5 is a side elevational view of a second embodiment of FIG. 1, the opposite side elevational view being identical thereto;
 FIG. 6 is a right side elevational view thereof;
 FIG. 7 is a left side elevational view thereof; and,
 FIG. 8 is a top plan view thereof, the bottom plan view being identical thereto.

[56] **References Cited**

U.S. PATENT DOCUMENTS

D. 234,721	4/1975	Rosenberg .	
D. 235,035	4/1975	Rosenberg .	
D. 238,456	1/1976	Mouwen .	
D. 247,252	2/1978	Rosenberg .	
D. 253,721	12/1979	Gibeck	D24/162
D. 260,175	8/1981	Hein et al. .	
D. 267,117	11/1982	Rosenberg .	
D. 333,348	2/1993	Yokomachi	D24/162
3,765,536	10/1973	Rosenberg .	
3,765,537	10/1973	Rosenberg .	



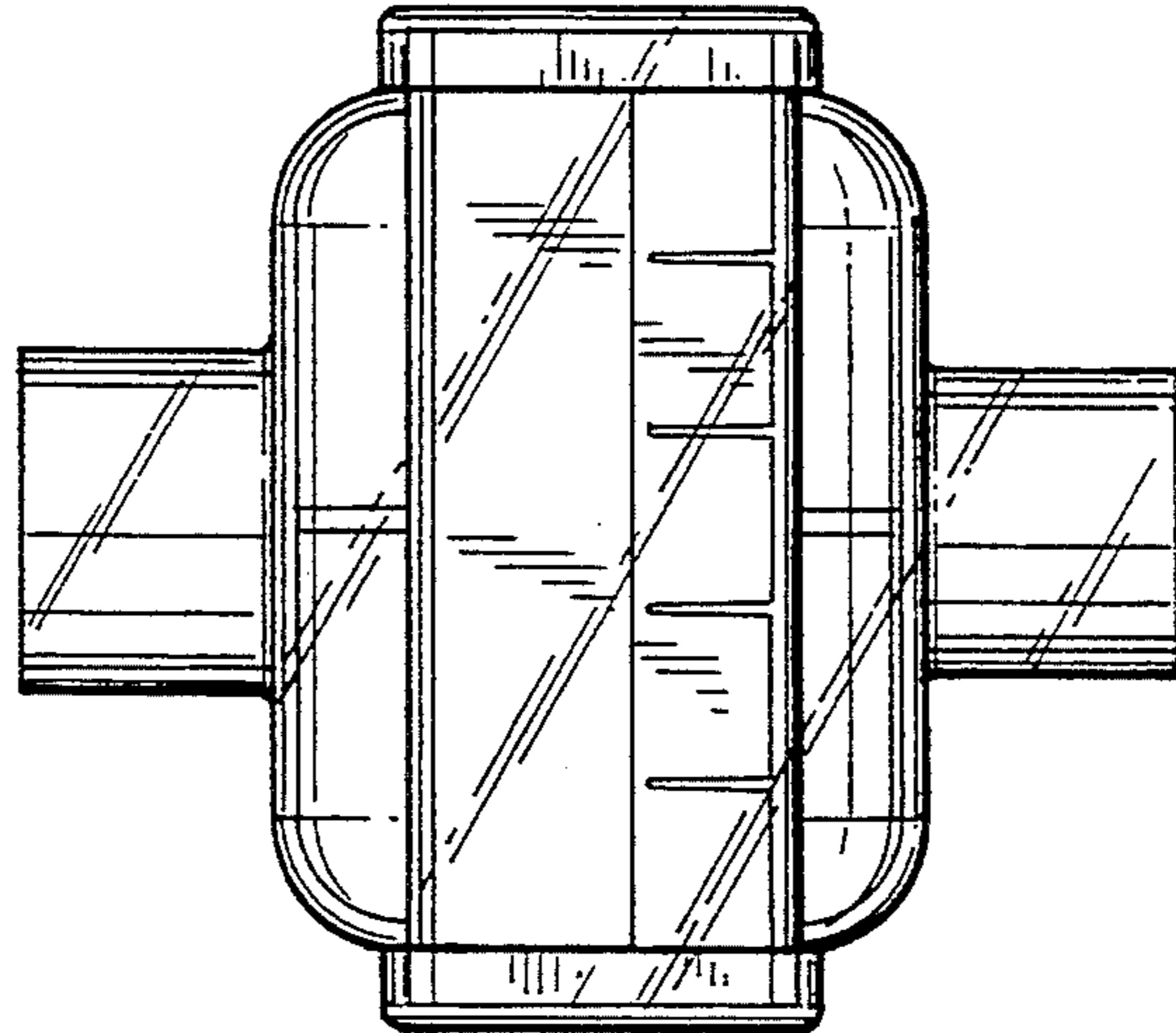


FIG. 1

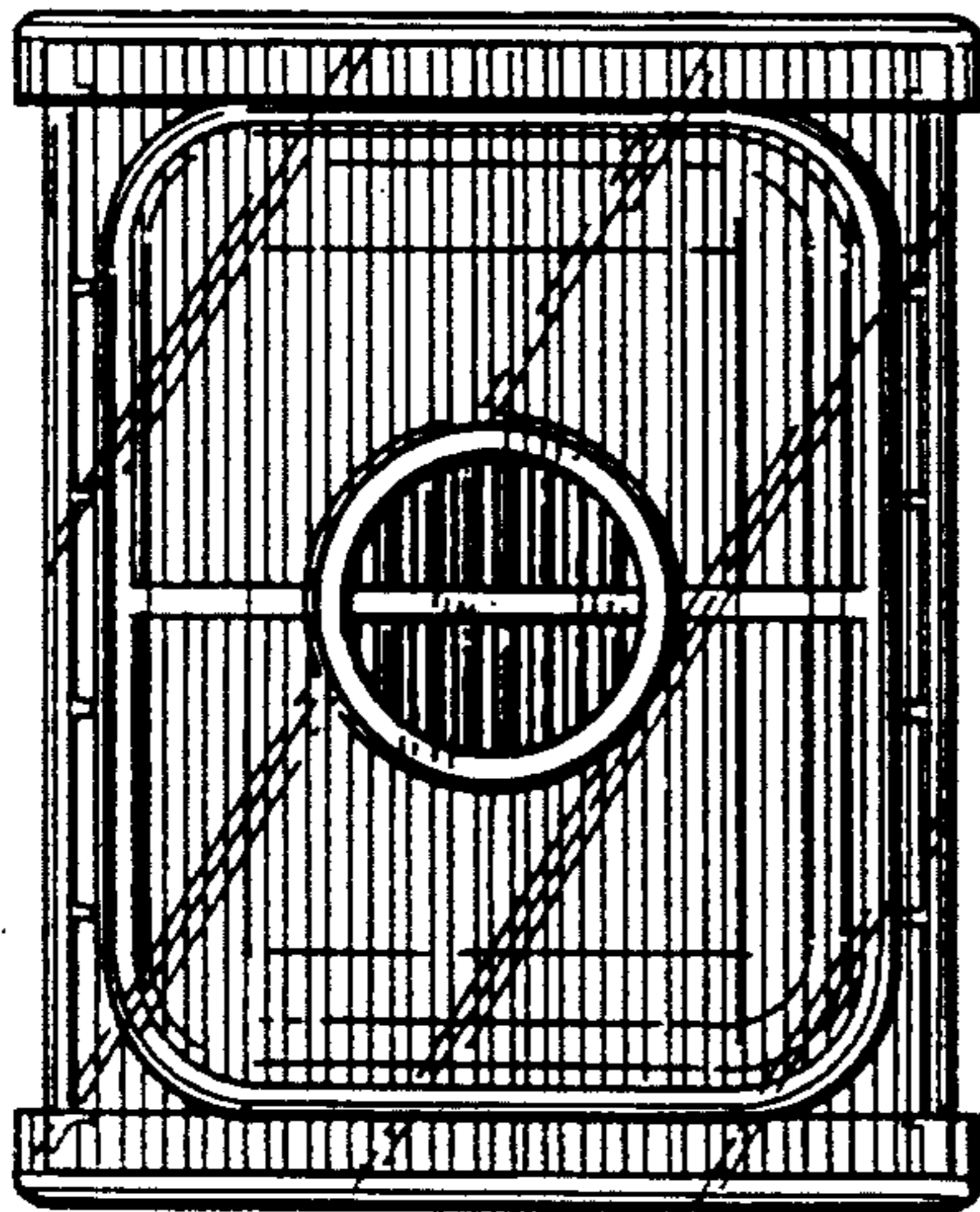


FIG. 2

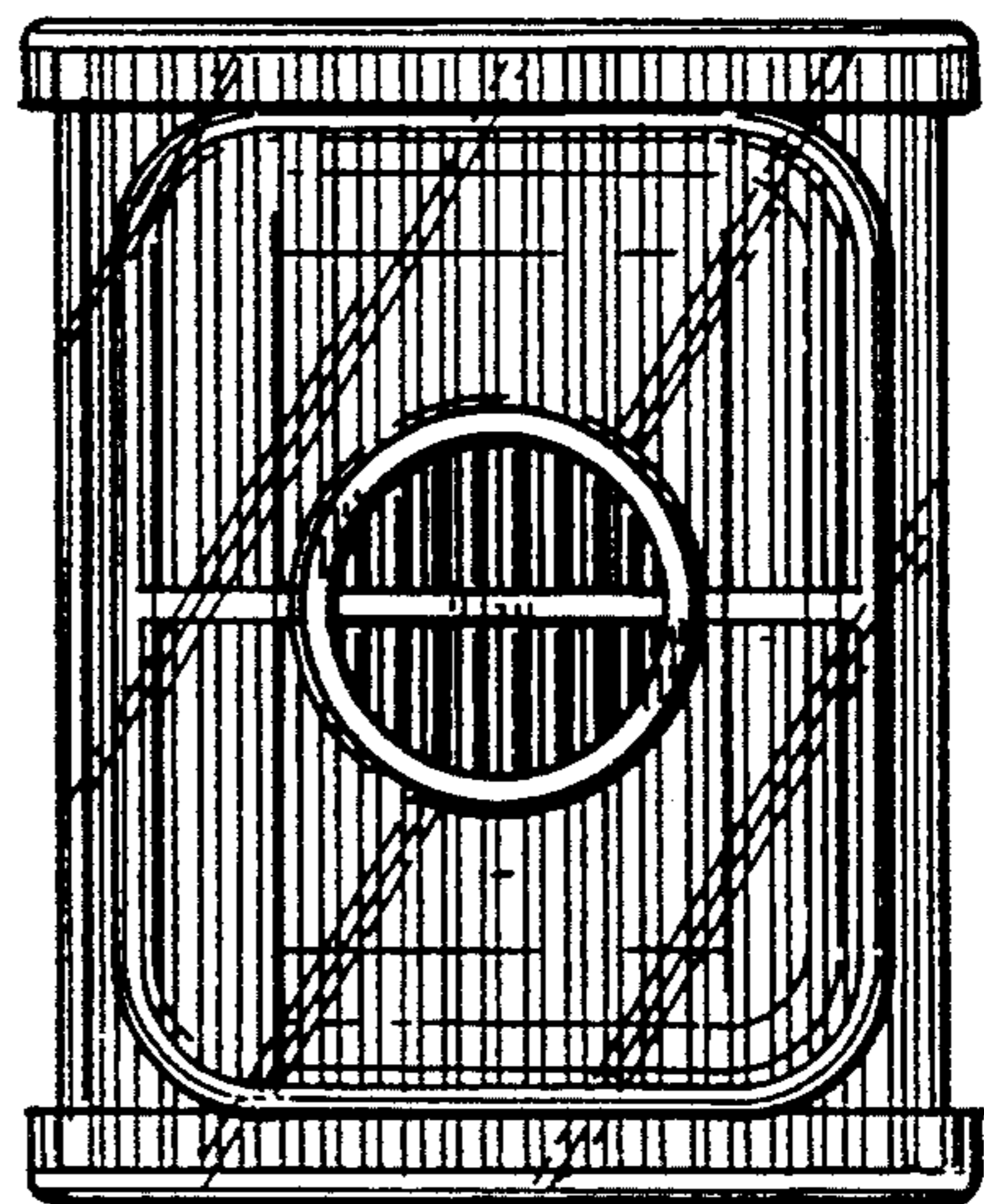


FIG. 3

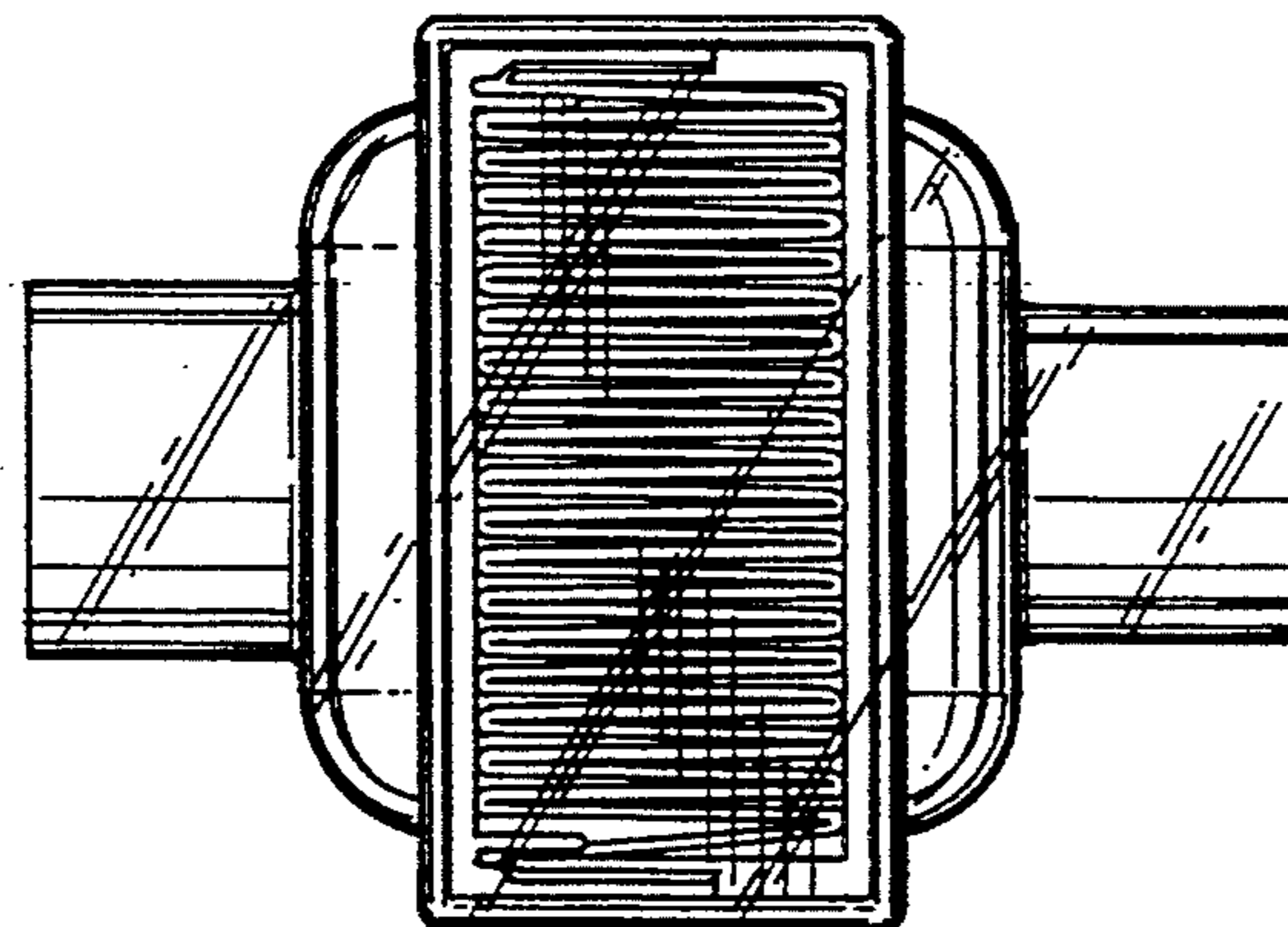


FIG. 4

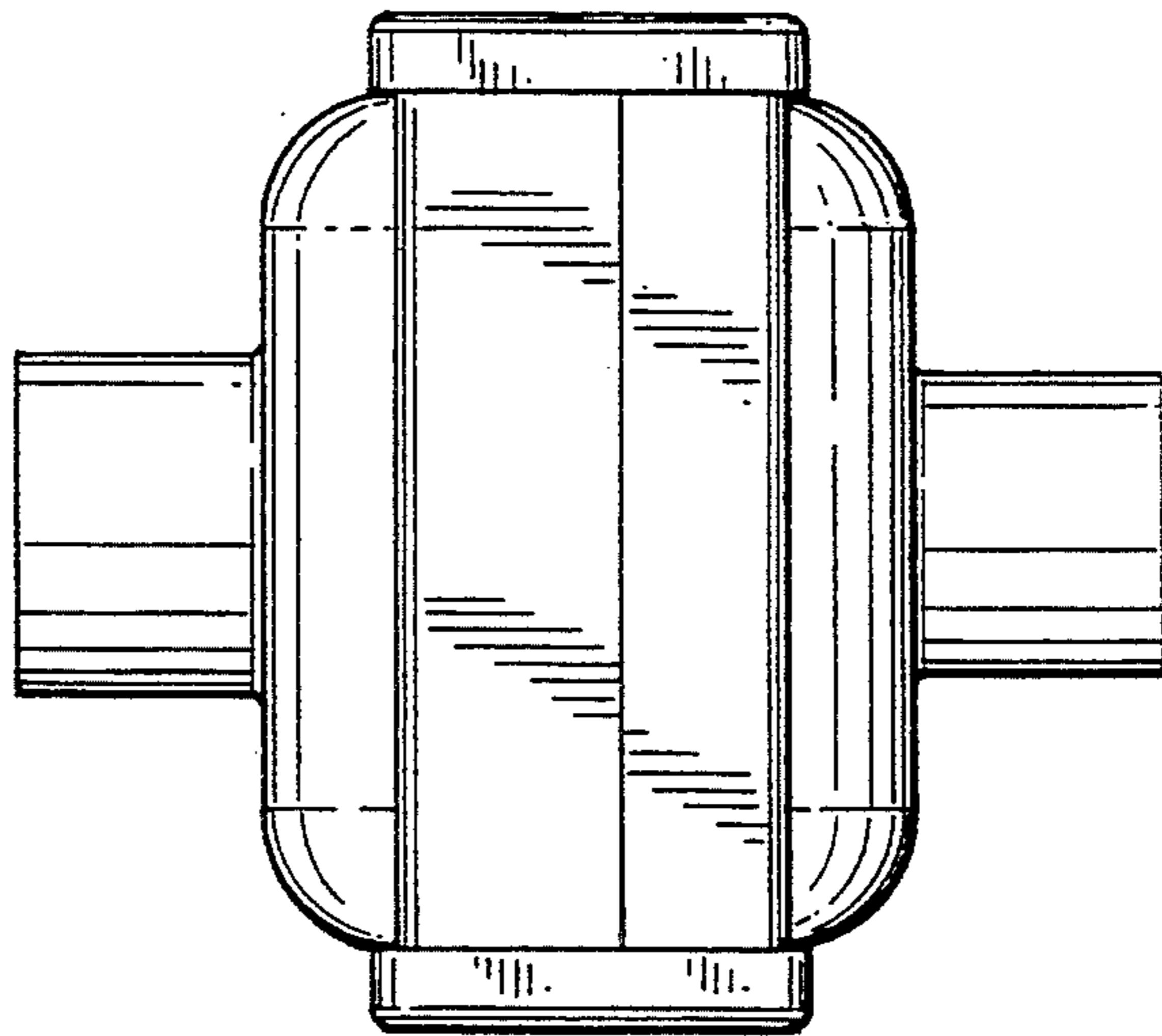


FIG. 5

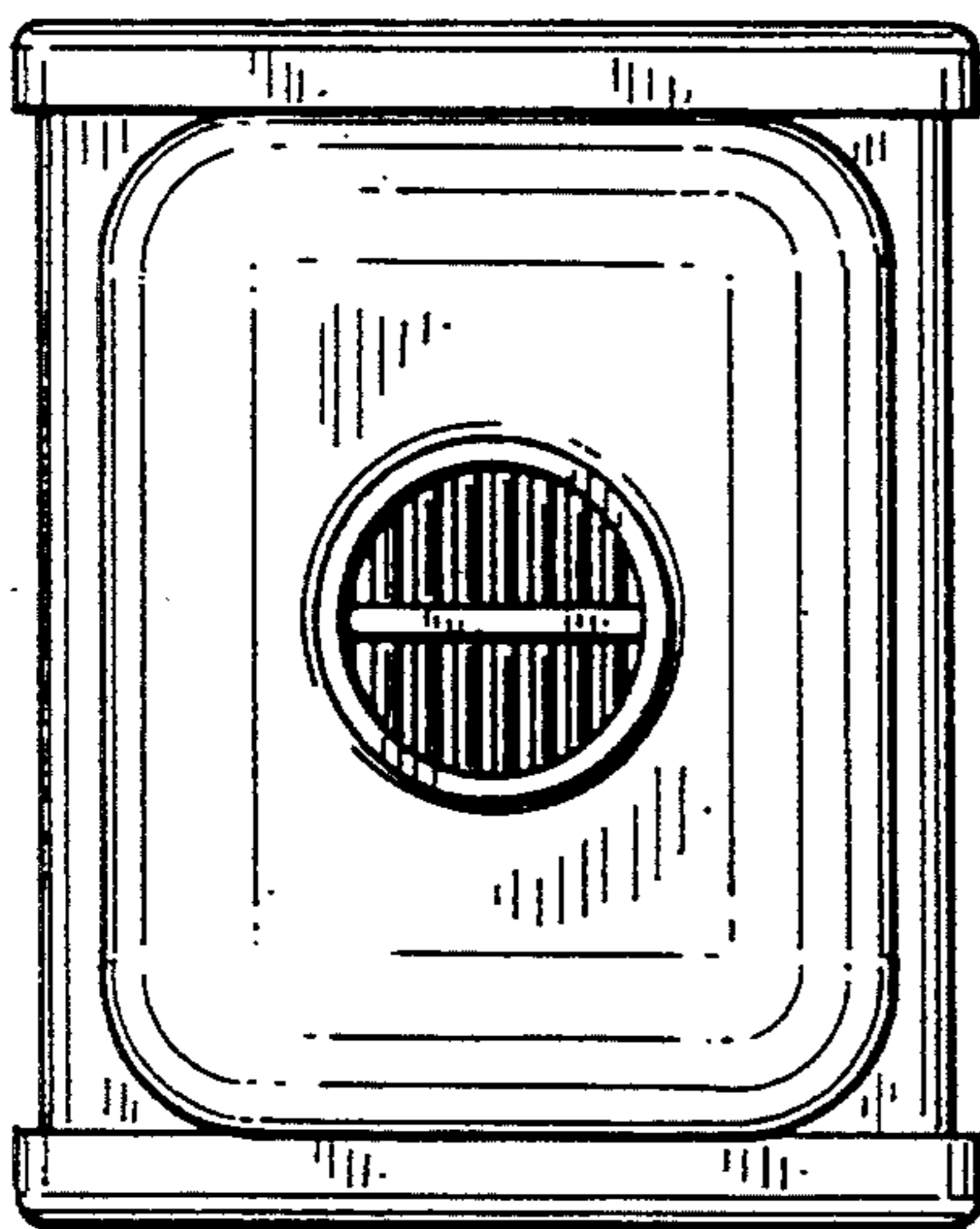


FIG. 6

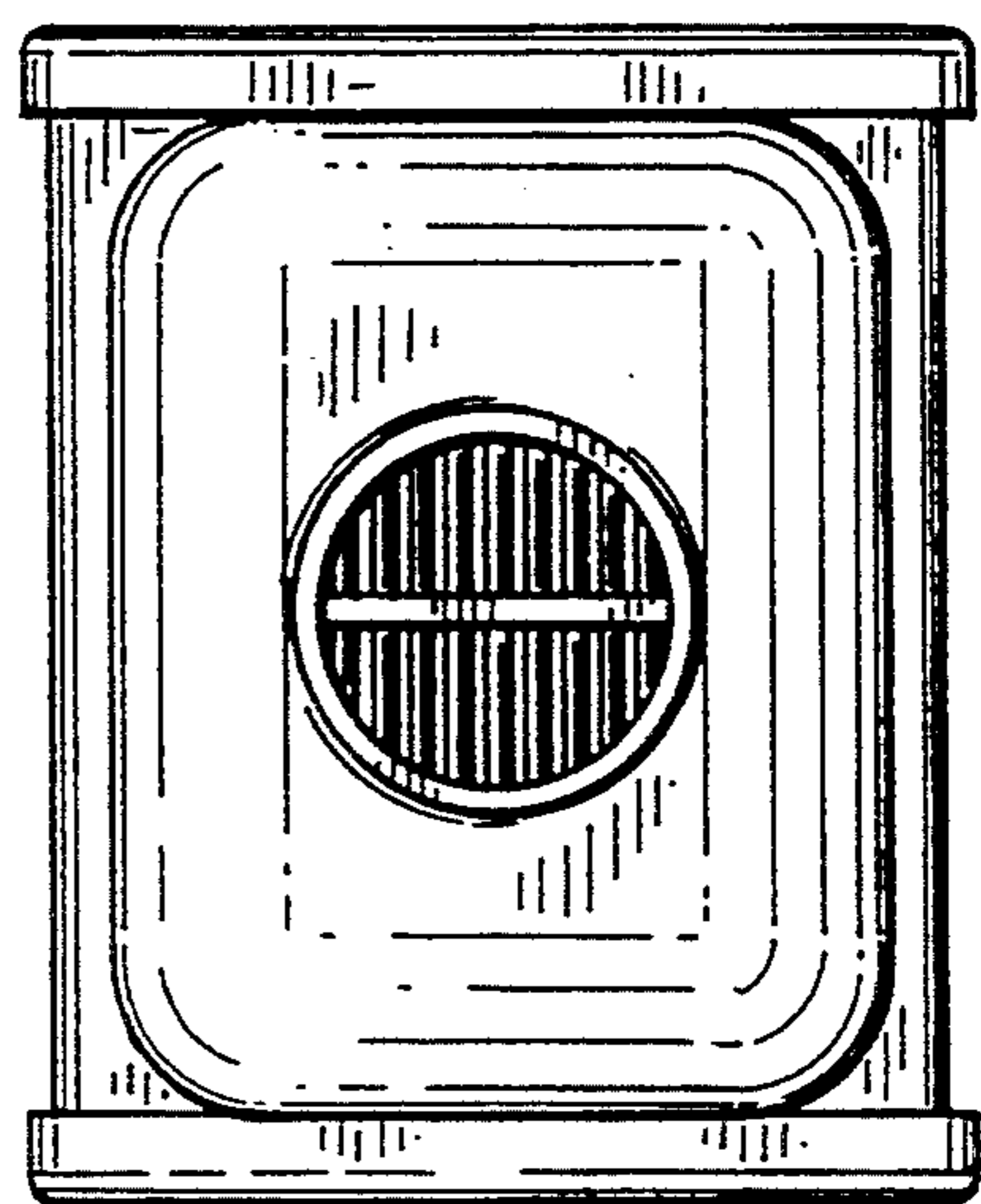


FIG. 7

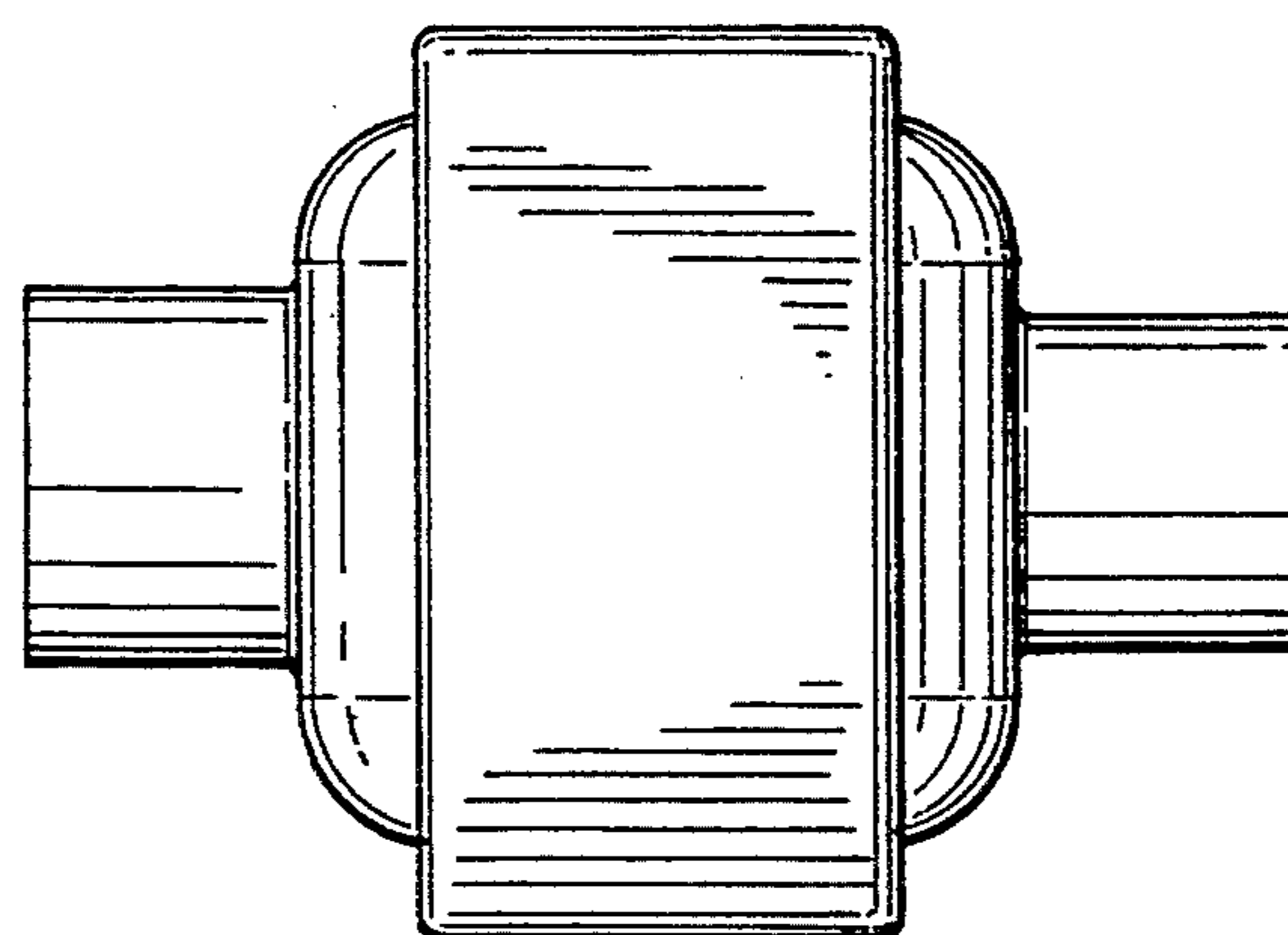


FIG. 8