



US00D357736S

# United States Patent [19]

[11] Patent Number: **Des. 357,736**

Dye

[45] Date of Patent: **\*\* Apr. 25, 1995**

[54] **CONNECTOR FOR DEVICE FOR APPLYING COMPRESSIVE PRESSURE TO THE LEG**

[75] Inventor: **John F. Dye**, Bridgewater, Mass.

[73] Assignee: **The Kendall Company**, Mansfield, Mass.

[\*\*] Term: **14 Years**

[21] Appl. No.: **13,025**

[22] Filed: **Sep. 16, 1993**

[52] U.S. Cl. .... **D24/129; D23/260; D24/129**

[58] **Field of Search** ..... **D24/129; D23/259, 260, D23/265; 128/DIG. 10, DIG. 20, 24, 84, 202.27, 205.24; 285/304, 305, 26, 319, 317, 137.1**

[56] **References Cited**

**U.S. PATENT DOCUMENTS**

- D. 327,738 7/1992 Dye ..... D24/127 X
- D. 328,346 7/1992 Dye ..... D24/127 X

- D. 330,251 10/1992 Dye ..... D24/129
- 4,630,847 12/1986 Blenkush ..... 285/137.1 X
- 4,804,208 2/1989 Dye ..... 285/26
- 4,982,736 1/1991 Schneider ..... 604/249 X
- 5,197,895 3/1993 Stupecky ..... 285/137.1 X
- 5,219,185 6/1993 Oddenino ..... 285/137.1 X

*Primary Examiner*—A. Hugo Word

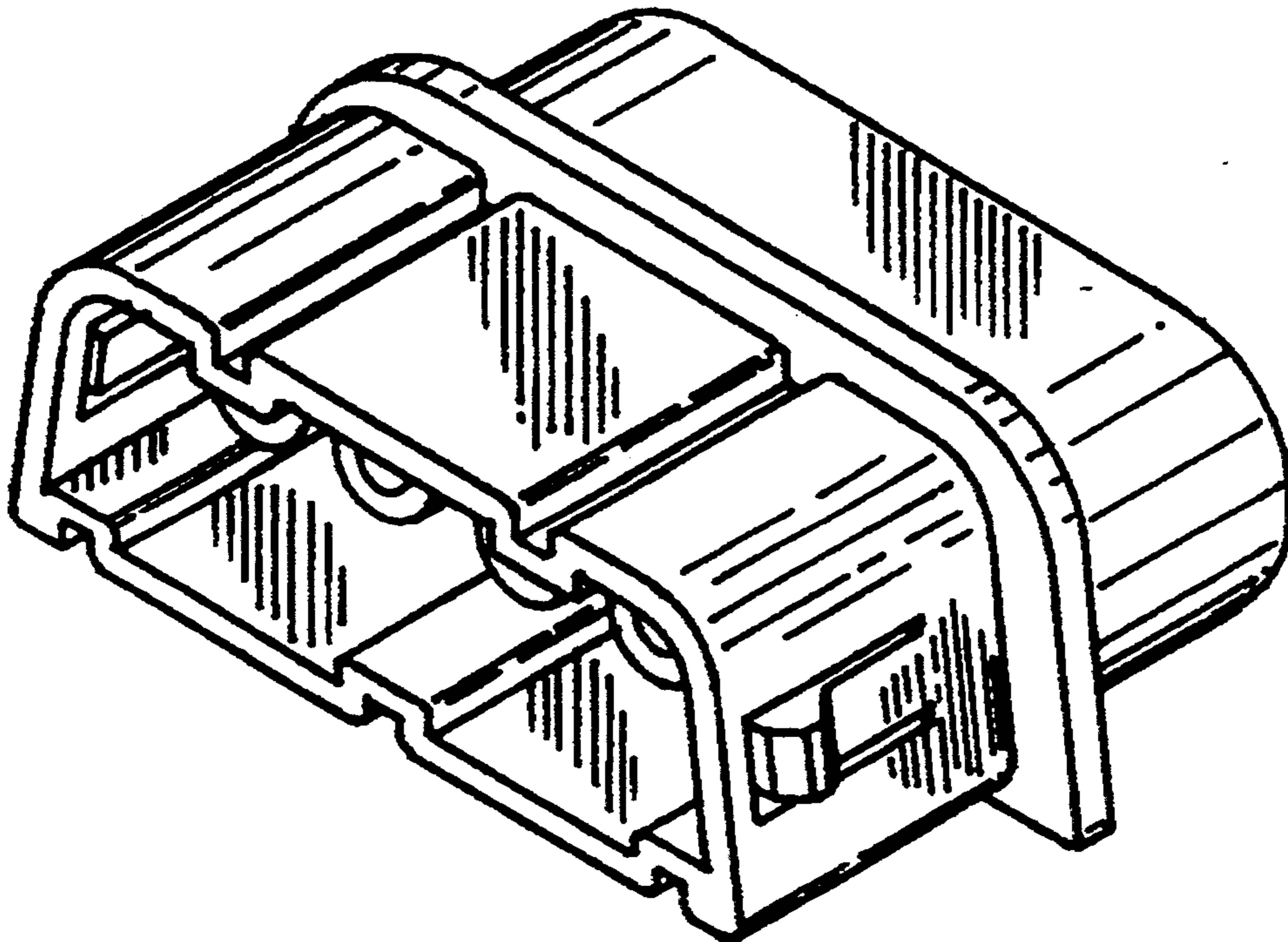
*Assistant Examiner*—I. Simmons

[57] **CLAIM**

The ornamental design for a connector for device for applying compressive pressure to the leg, as shown and described.

**DESCRIPTION**

FIG. 1 is a perspective view;  
 FIG. 2 is a top plan view;  
 FIG. 3 is a front elevation view;  
 FIG. 4 is a bottom plan view;  
 FIG. 5 is a side elevational view thereof, the opposite side elevational view being a mirror image thereto; and,  
 FIG. 6 is a back elevation view.



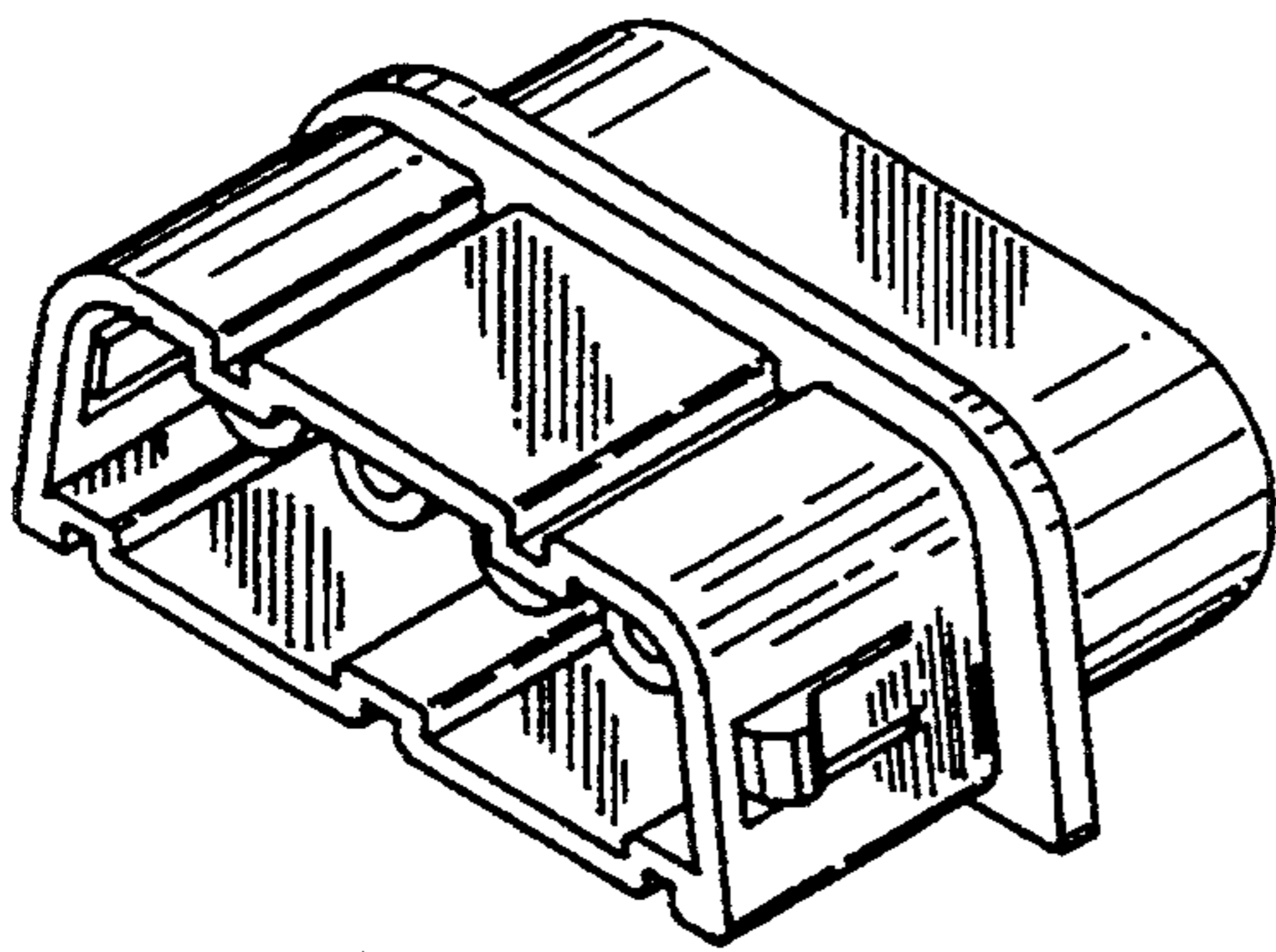


FIG. 1

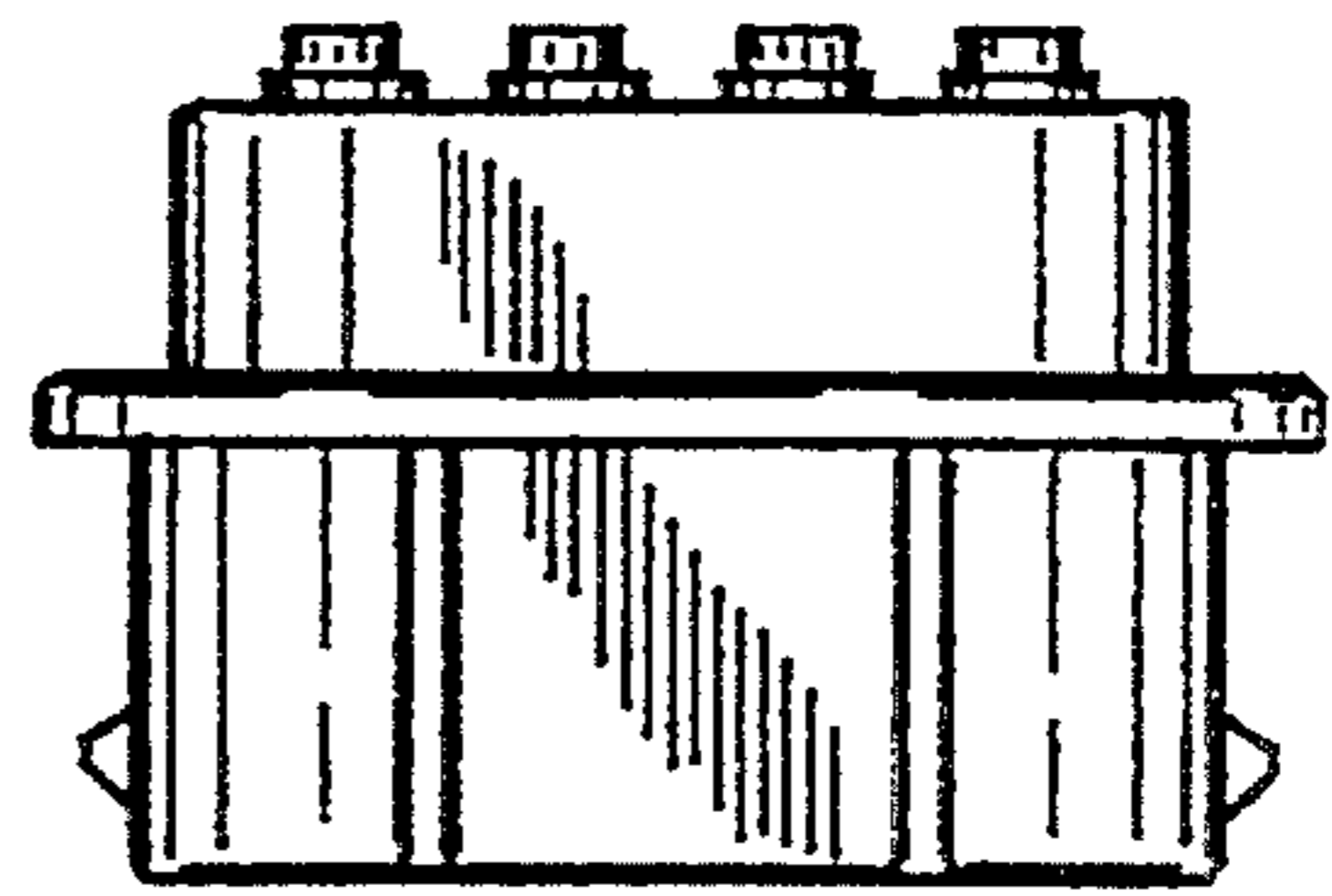


FIG. 2

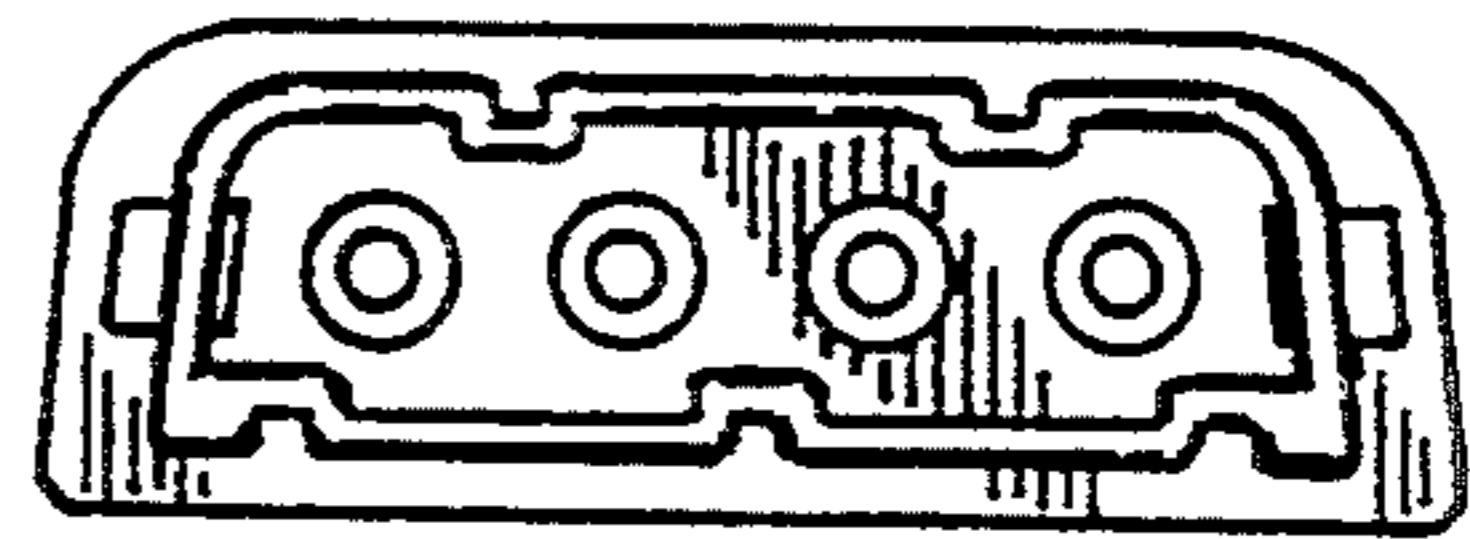


FIG. 3

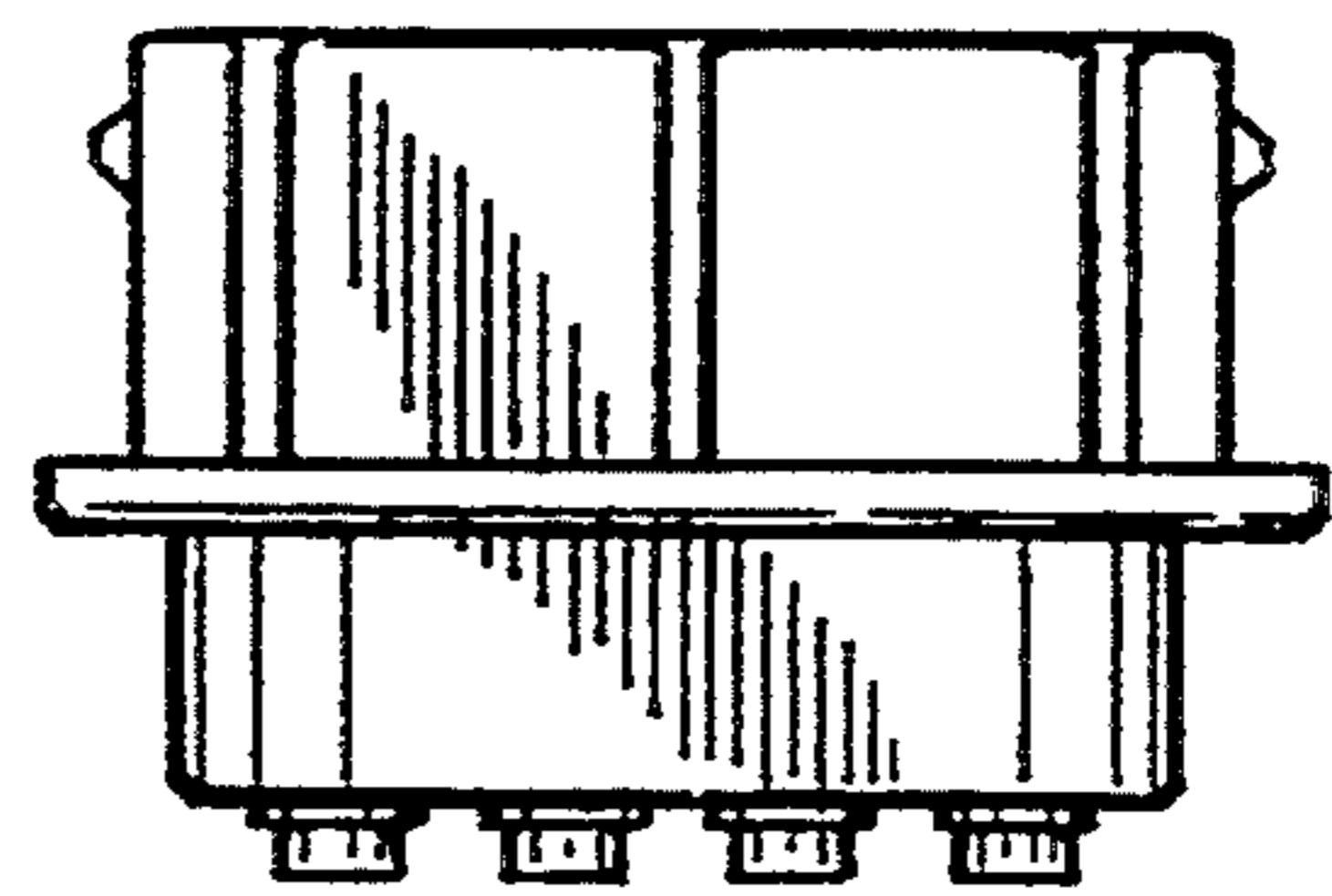


FIG. 4

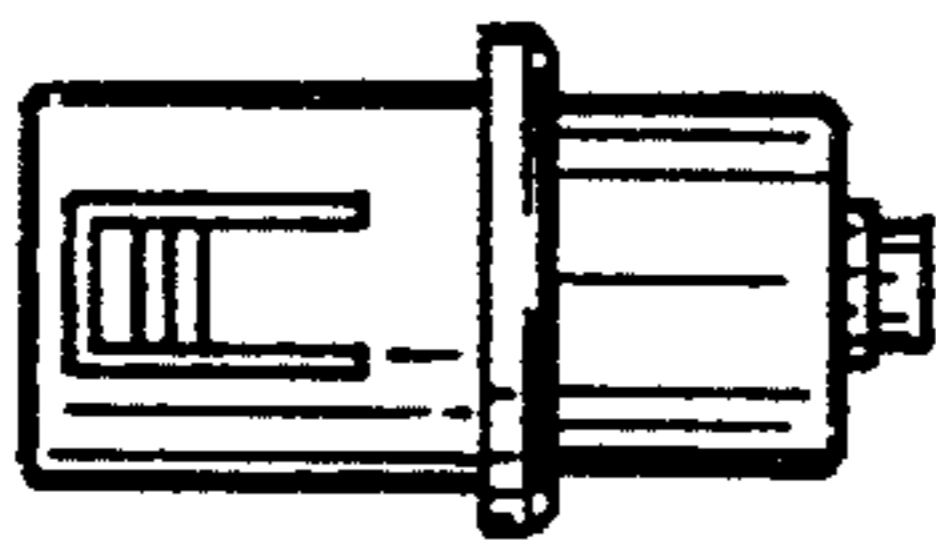


FIG. 5

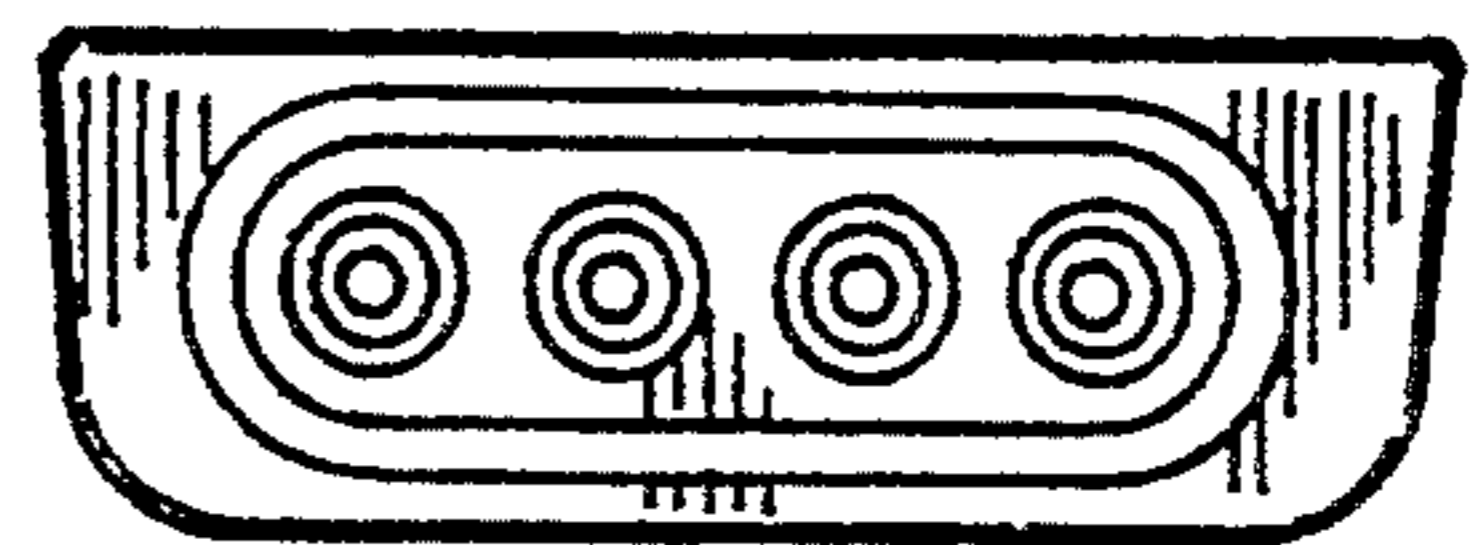


FIG. 6