



US00D357735S

United States Patent [19]

[11] Patent Number: **Des. 357,735**

McPhee

[45] Date of Patent: **** Apr. 25, 1995**

[54] VALVE FOR FILLING AN IV SOLUTION BAG

[75] Inventor: **Charles J. McPhee**, Huntington Beach, Calif.

[73] Assignee: **I-Flow Corporation**, Irvine, Calif.

[**] Term: **14 Years**

[21] Appl. No.: **11,435**

[22] Filed: **Aug. 3, 1993**

[52] U.S. Cl. **D24/129; D23/233**

[58] Field of Search **D24/129; D23/233, 234, D23/235, 236, 237, 244, 245, 246, 247, 248, 249; 604/247, 246, 248, 249, 9, 83, 280, 403, 905**

4,787,887	11/1988	Saenz Arroyo	604/247 X
4,802,506	2/1989	Aslanian	D24/129 X
4,819,684	4/1989	Zaugg et al.	137/112
4,842,591	6/1989	Luther	604/283
4,915,687	4/1990	Sivert	604/83
4,946,448	8/1990	Richmond	604/247
5,033,714	7/1991	Winchell et al.	604/246 X
5,169,393	12/1992	Moorehead et al.	604/247
5,199,948	4/1993	McPhee	604/86

FOREIGN PATENT DOCUMENTS

964544	3/1975	Canada	128/127.1
--------	--------	--------	-----------

Primary Examiner—A. Hugo Word
Assistant Examiner—I. Simmons
Attorney, Agent, or Firm—Klein & Szekeres

[56] References Cited

U.S. PATENT DOCUMENTS

D. 276,465	11/1984	Clawson et al.	D24/129
D. 283,725	5/1986	Mahoney	D24/129 X
3,416,567	12/1968	Von Dardel et al.	137/604
3,459,177	8/1969	Deuschle	128/2
3,577,992	5/1971	Merry et al.	128/349
3,710,942	1/1973	Rosenberg	210/136
3,886,937	6/1975	Bobo et al.	128/214
3,994,293	11/1976	Ferro	128/214
4,143,853	3/1979	Abramson	251/149
4,197,848	4/1980	Garrett et al.	128/247
4,387,879	6/1983	Tauschinski	251/149
4,439,182	3/1984	Huang	604/85
4,535,820	8/1985	Raines	137/854
4,666,429	5/1987	Stone	604/83
4,683,916	8/1987	Raines	137/854

[57] CLAIM

The ornamental design for a valve for filling an IV solution bag, as shown.

DESCRIPTION

FIG. 1 is a perspective view of a valve for filling an IV solution bag, in accordance with the present invention, showing the top and front of the valve;
FIG. 2 is a front elevational view of the valve;
FIG. 3 is a rear elevational view of the valve;
FIG. 4 is a top plan view of the valve;
FIG. 5 is a side elevational view, taken from the left side of FIG. 2;
FIG. 6 is a side elevational view, taken from the right side of FIG. 2; and,
FIG. 7 is a bottom plan view of the valve.

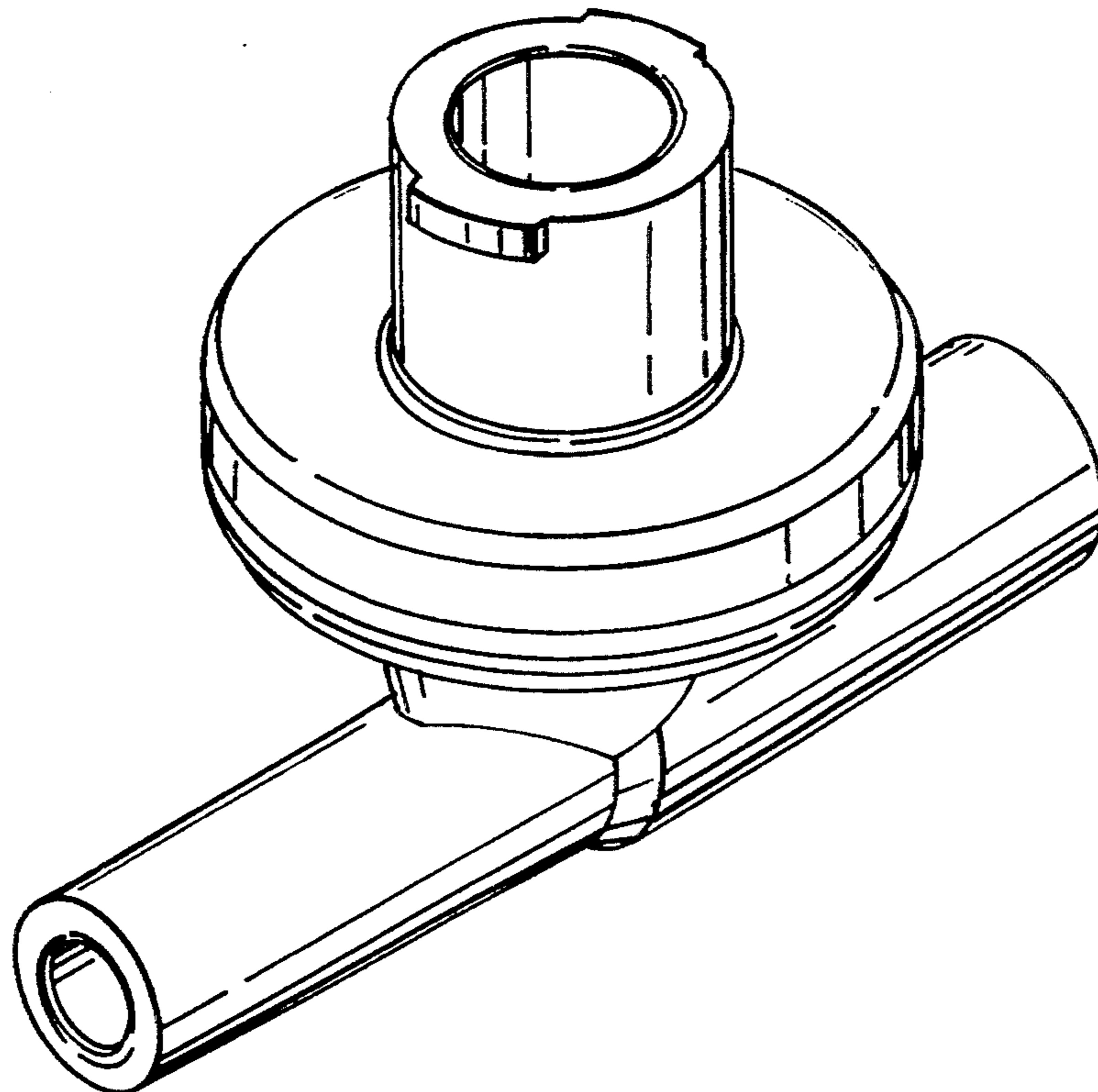


FIG. 1.

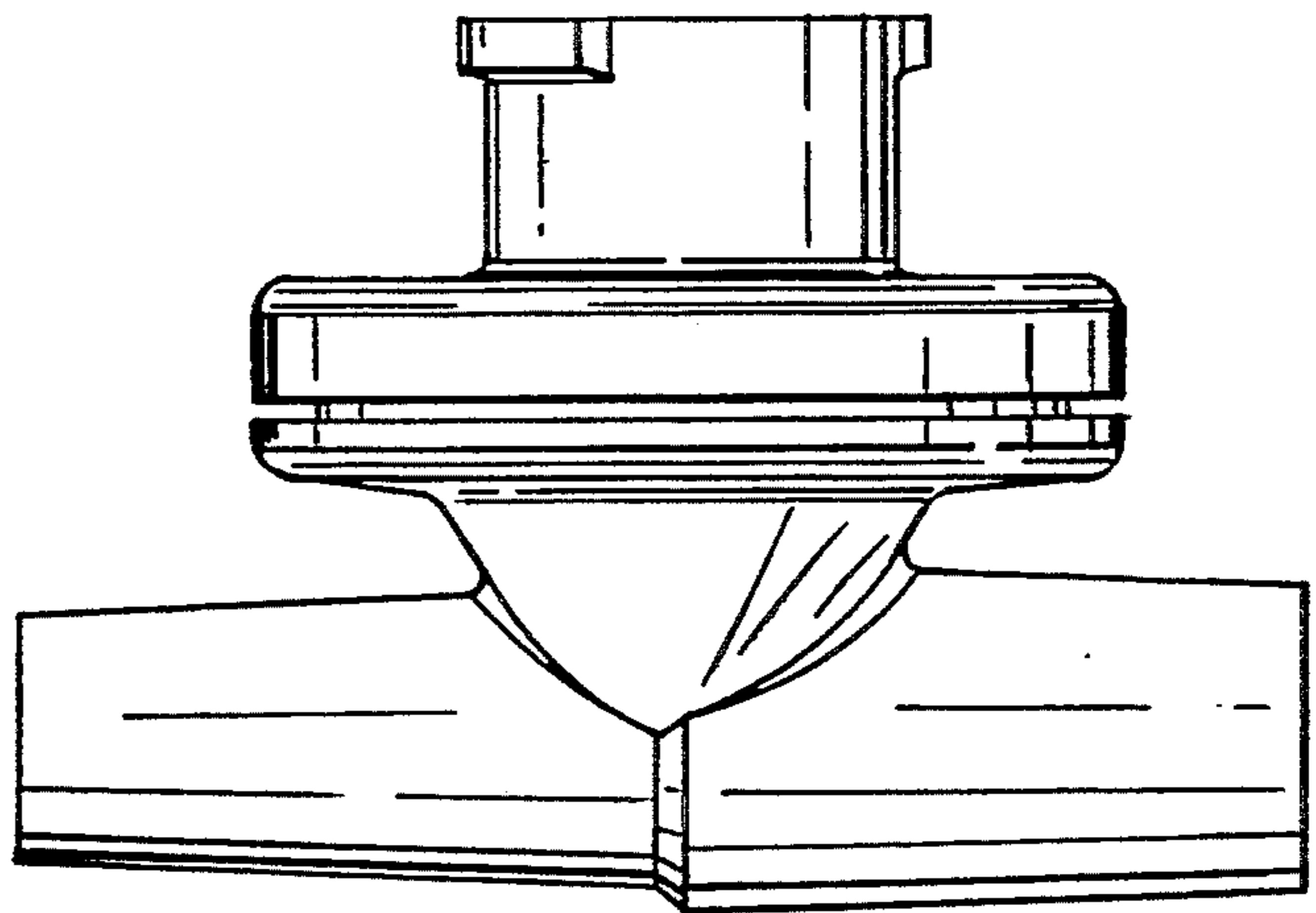
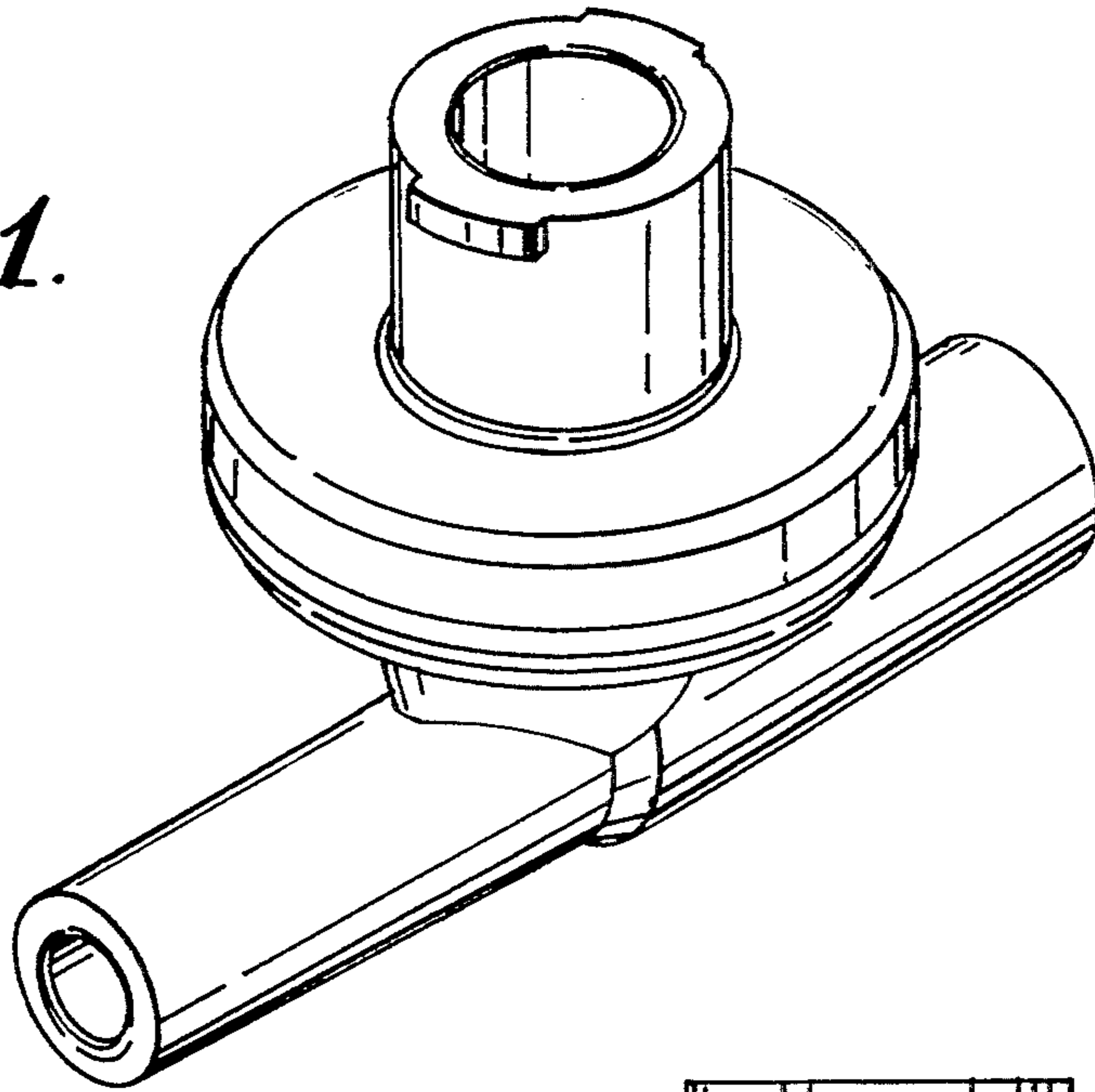


FIG. 2.

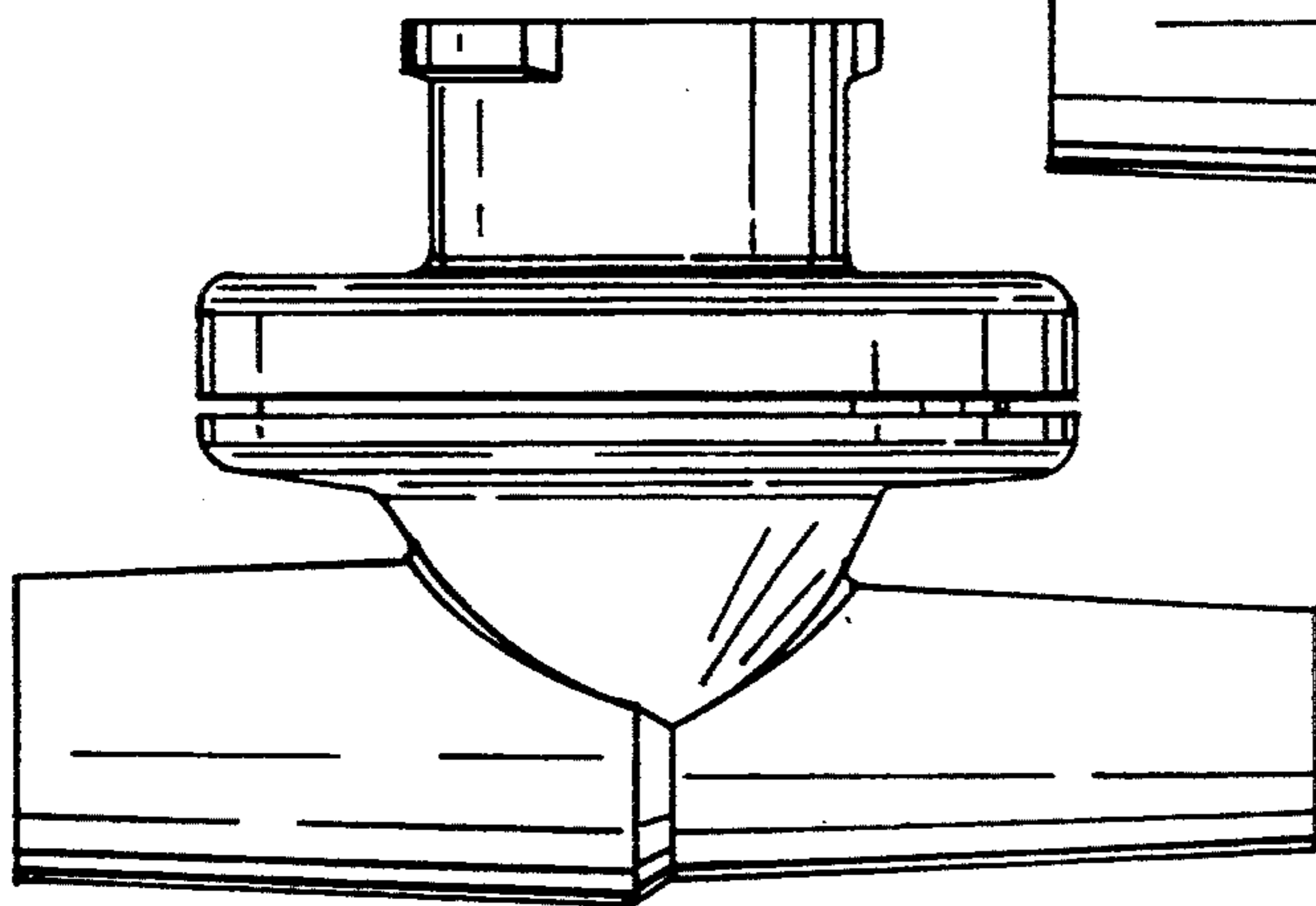


FIG. 3.

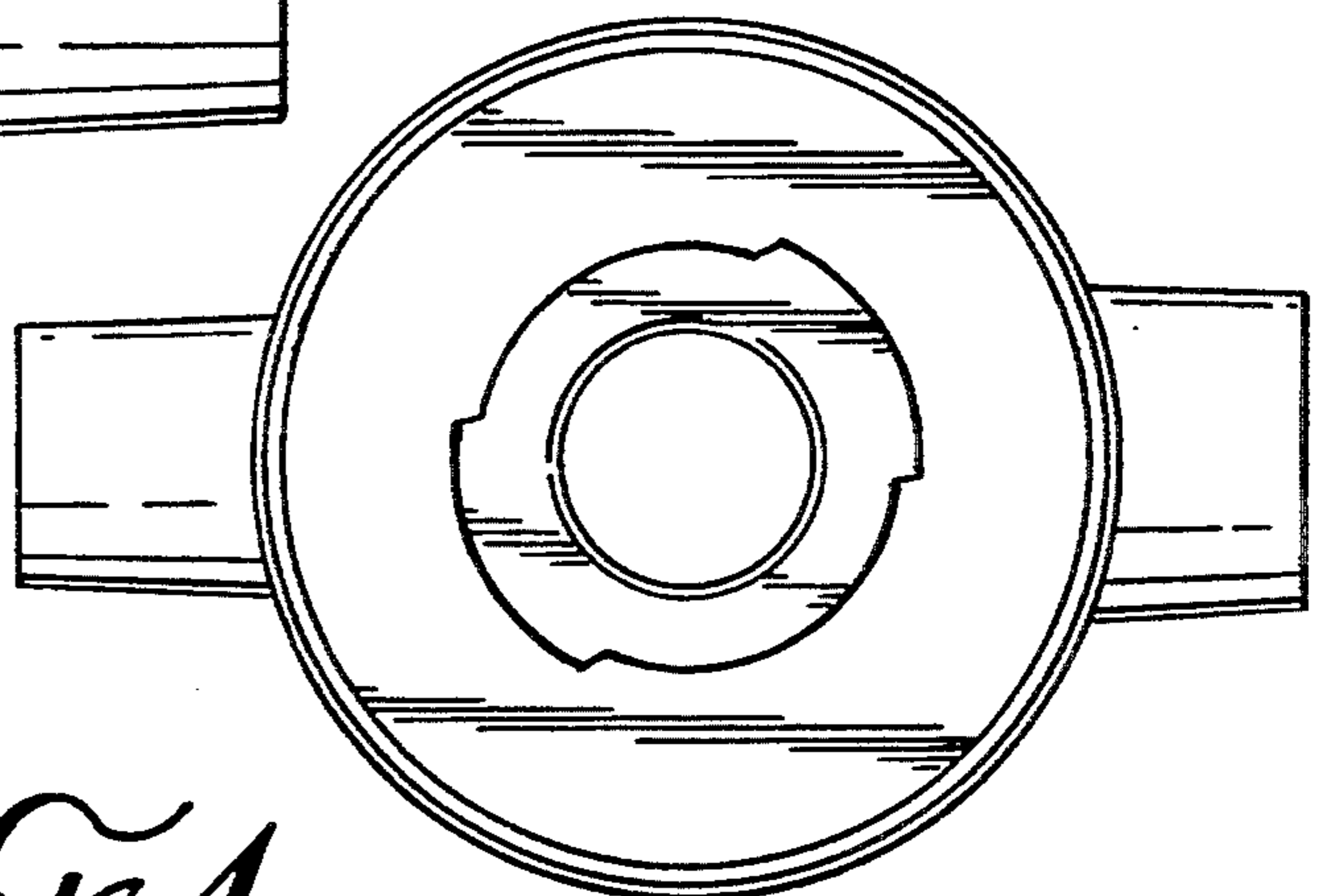


FIG. 4.

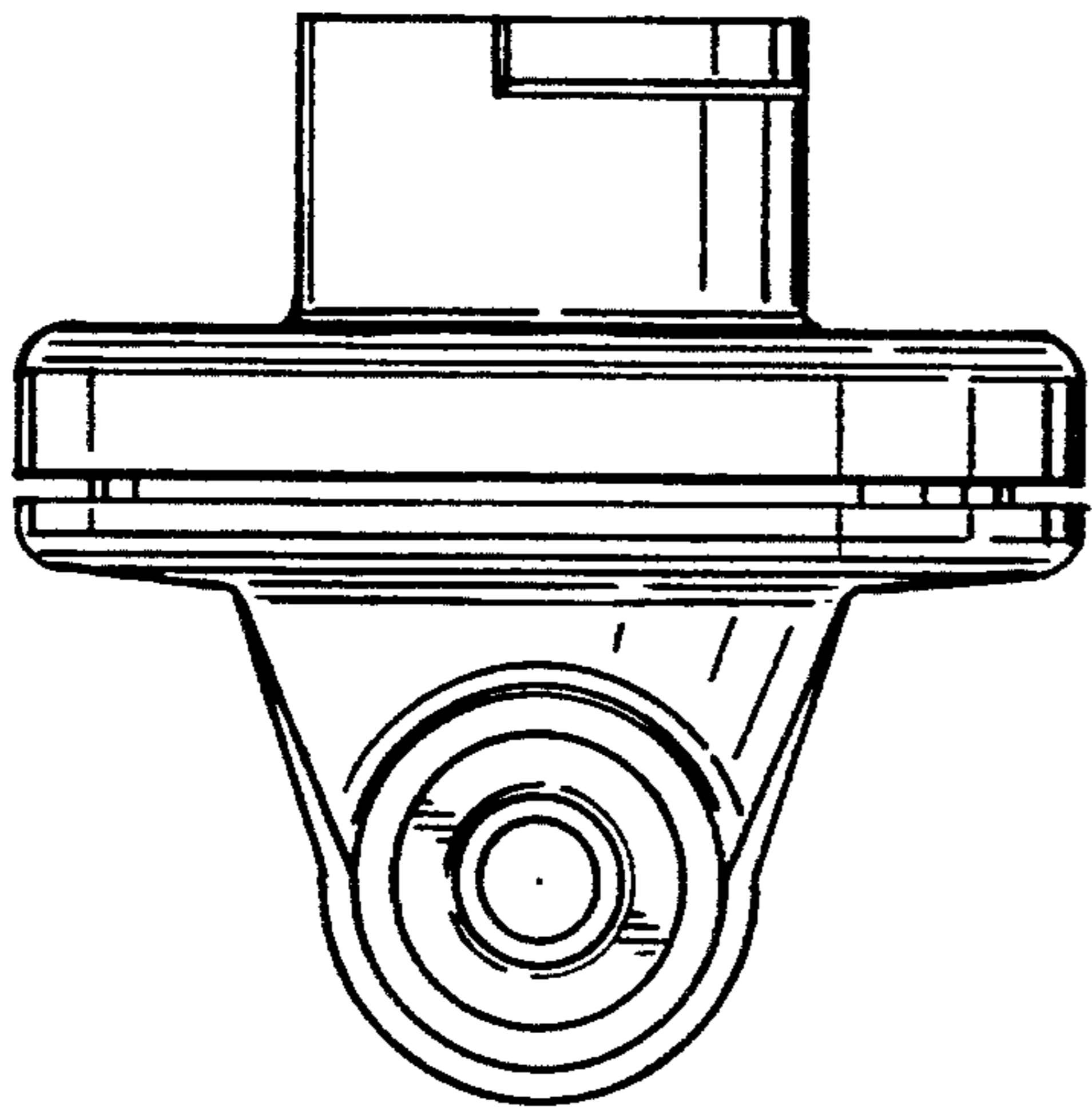


FIG. 5.

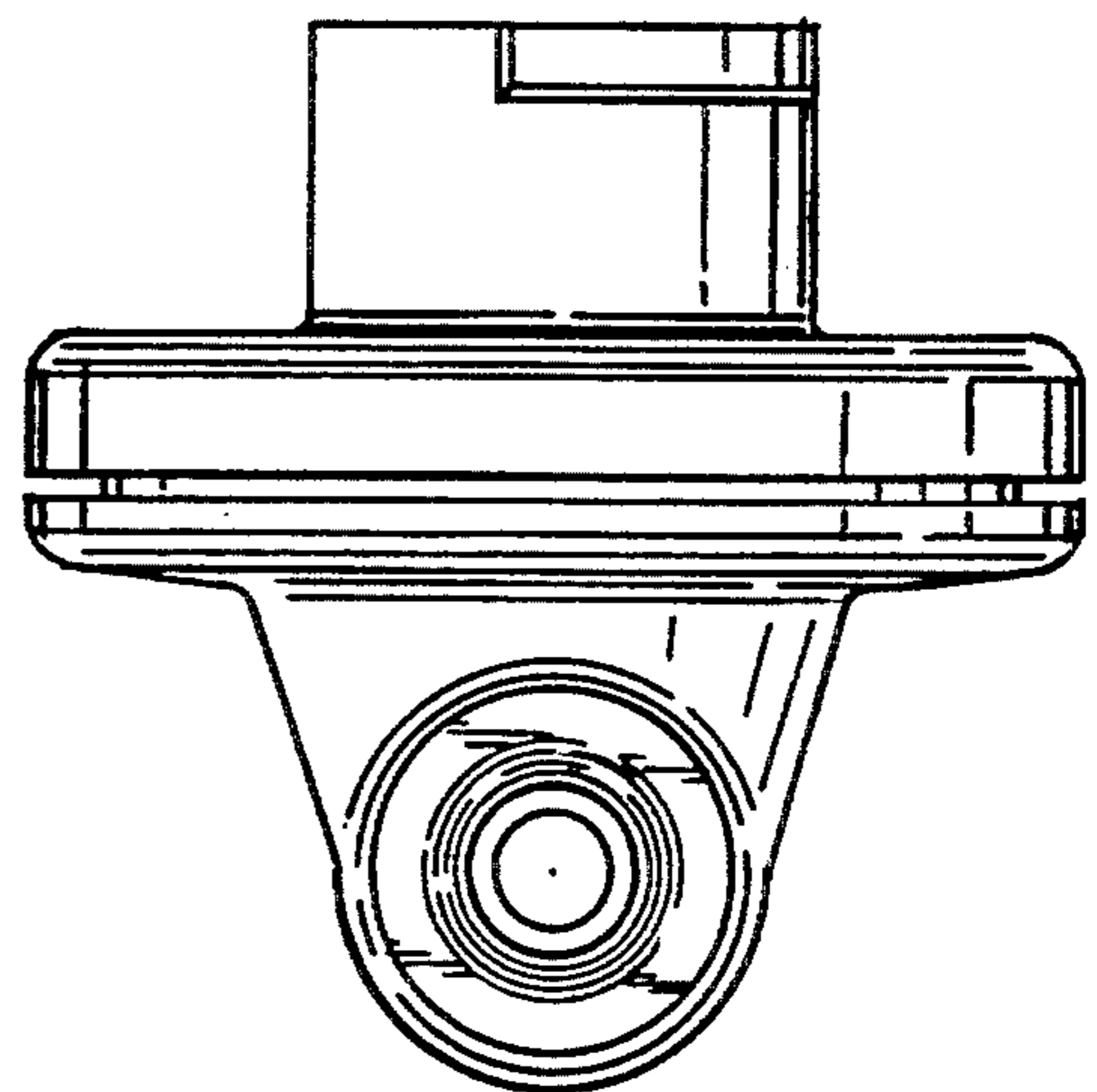


FIG. 6.

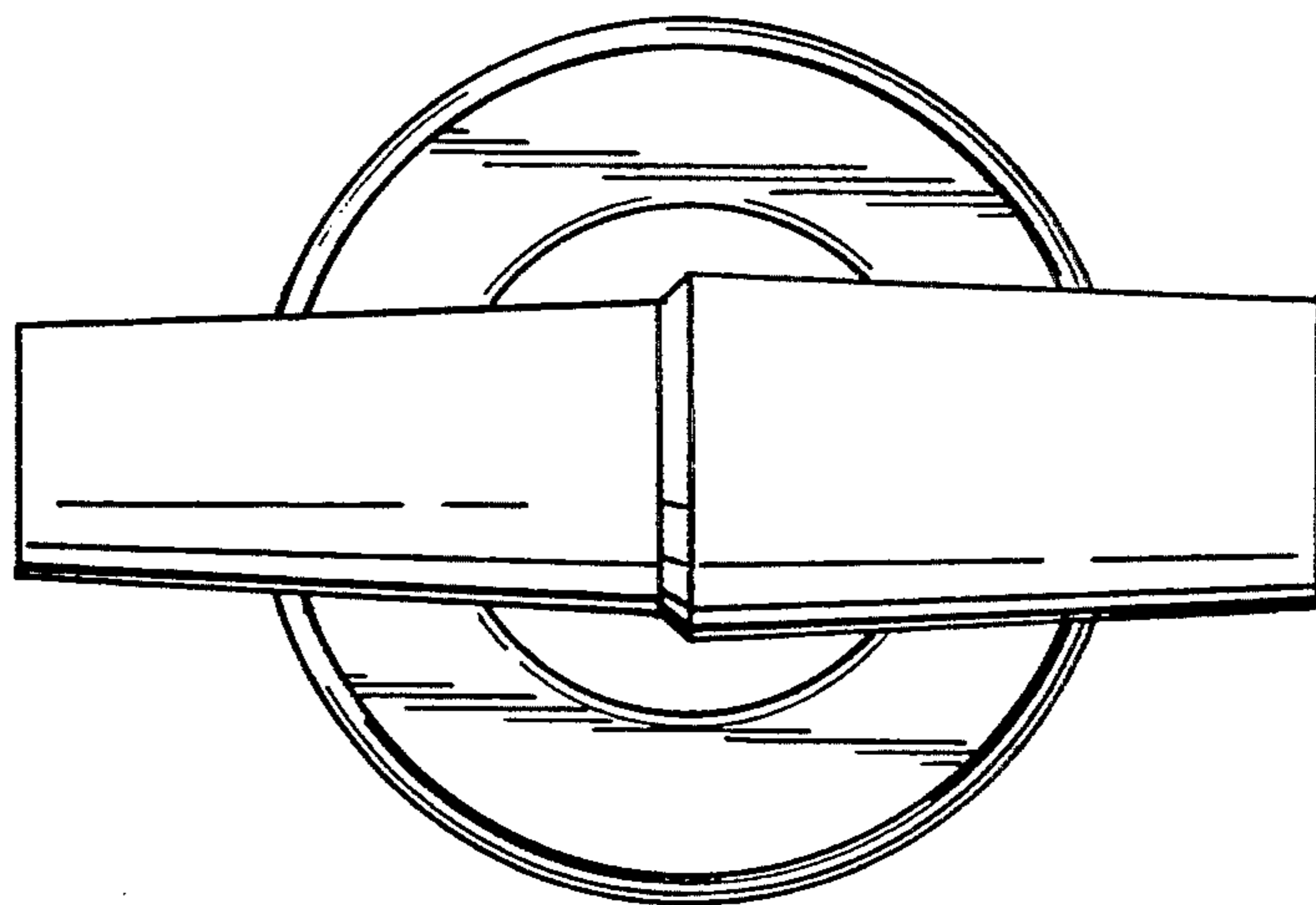


FIG. 7.