



US00D357734S

# United States Patent [19]

[11] Patent Number: **Des. 357,734**

Mongeon

[45] Date of Patent: **\*\* Apr. 25, 1995**

[54] **NEO-NATAL INTUBATION SWIVEL CONNECTOR FOR A CATHETER**

4,669,463 6/1987 McConnell ..... 604/283 X  
4,946,455 8/1990 Rosen ..... D24/129 X  
5,222,486 6/1993 Vaughn ..... 128/DIG. 26 X

[75] Inventor: **Douglas R. Mongeon**, Orange, Calif.

*Primary Examiner*—A. Hugo Word  
*Assistant Examiner*—I. Simmins  
*Attorney, Agent, or Firm*—G. Donald Weber, Jr.

[73] Assignee: **Coast Medical, Inc.**, Orange, Calif.

[\*\*] Term: **14 Years**

[57] **CLAIM**

[21] Appl. No.: **571**

The ornamental design for a neo-natal intubation swivel connector for a catheter, as shown and described.

[22] Filed: **Oct. 16, 1992**

**DESCRIPTION**

[52] U.S. Cl. .... **D24/129**

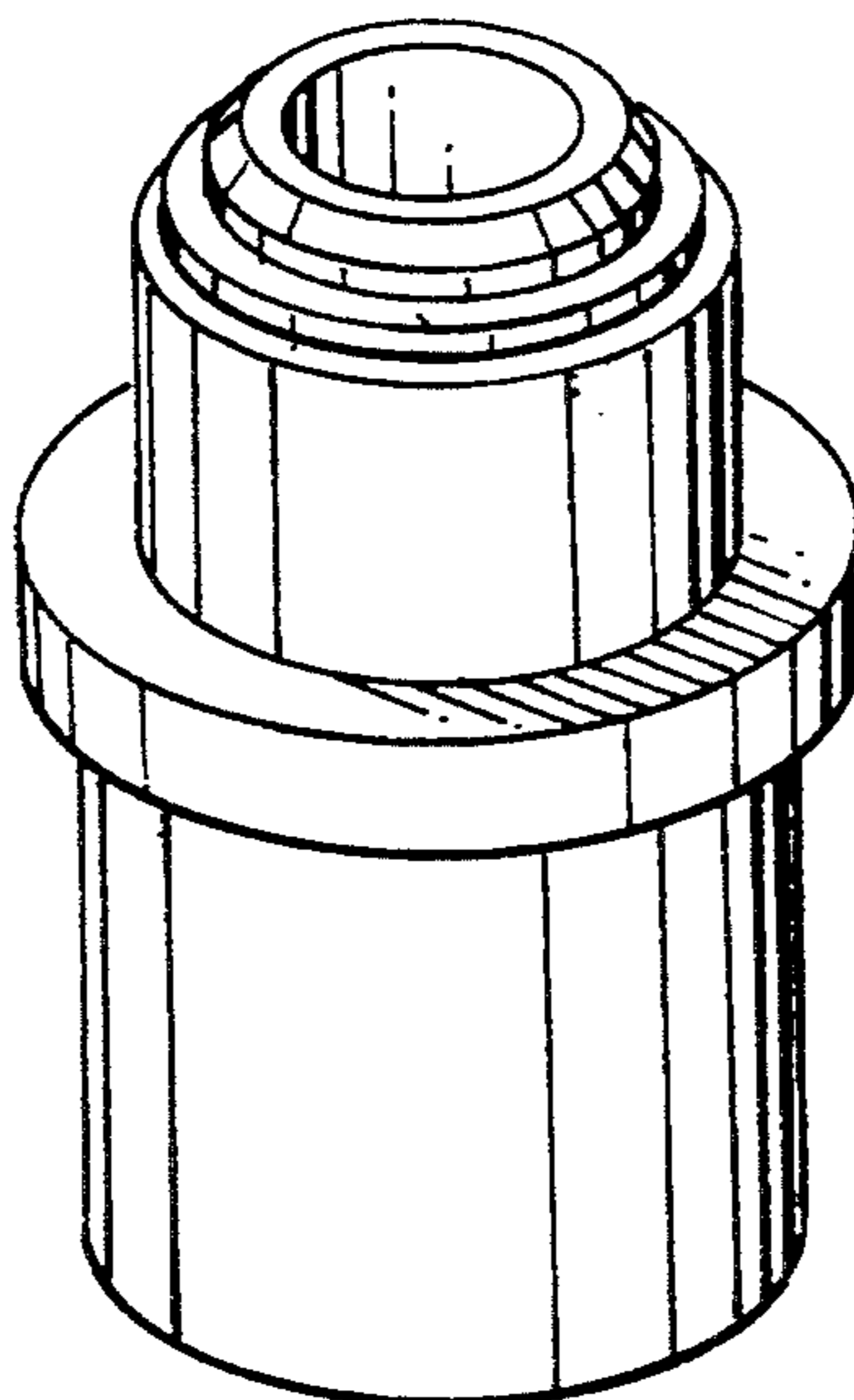
[58] Field of Search ..... D24/129, 108, 110;  
D23/262, 259; 285/412, 368, 405, 410, 406, 414;  
604/29, 283, 903, 256

FIG. 1 is an isometric view of the neo-natal intubation swivel connector for a catheter of the instant invention; FIG. 2 is a top view of the neo-natal intubation swivel connector for a catheter of the instant invention; FIG. 3 is a bottom view of the neo-natal intubation swivel connector for a catheter of the instant invention; FIG. 4 is a side view of the neo-natal intubation swivel connector for a catheter of the instant invention. The opposite side view is identical; and, FIG. 5 is a cross-sectional view of the neo-natal intubation swivel connector for a catheter, taken along the line 5—5 of FIG. 2.

[56] **References Cited**

**U.S. PATENT DOCUMENTS**

D. 255,145	5/1980	Nederman	.....	D23/262
D. 277,782	2/1985	Beck	.....	D24/110
D. 297,046	8/1988	Dignam	.....	D24/112
D. 339,417	9/1993	Sampson et al.	.....	D24/129
3,606,401	9/1971	Schwarz	.....	285/368 X
4,619,640	10/1986	Potolsky et al.	.....	604/905 X



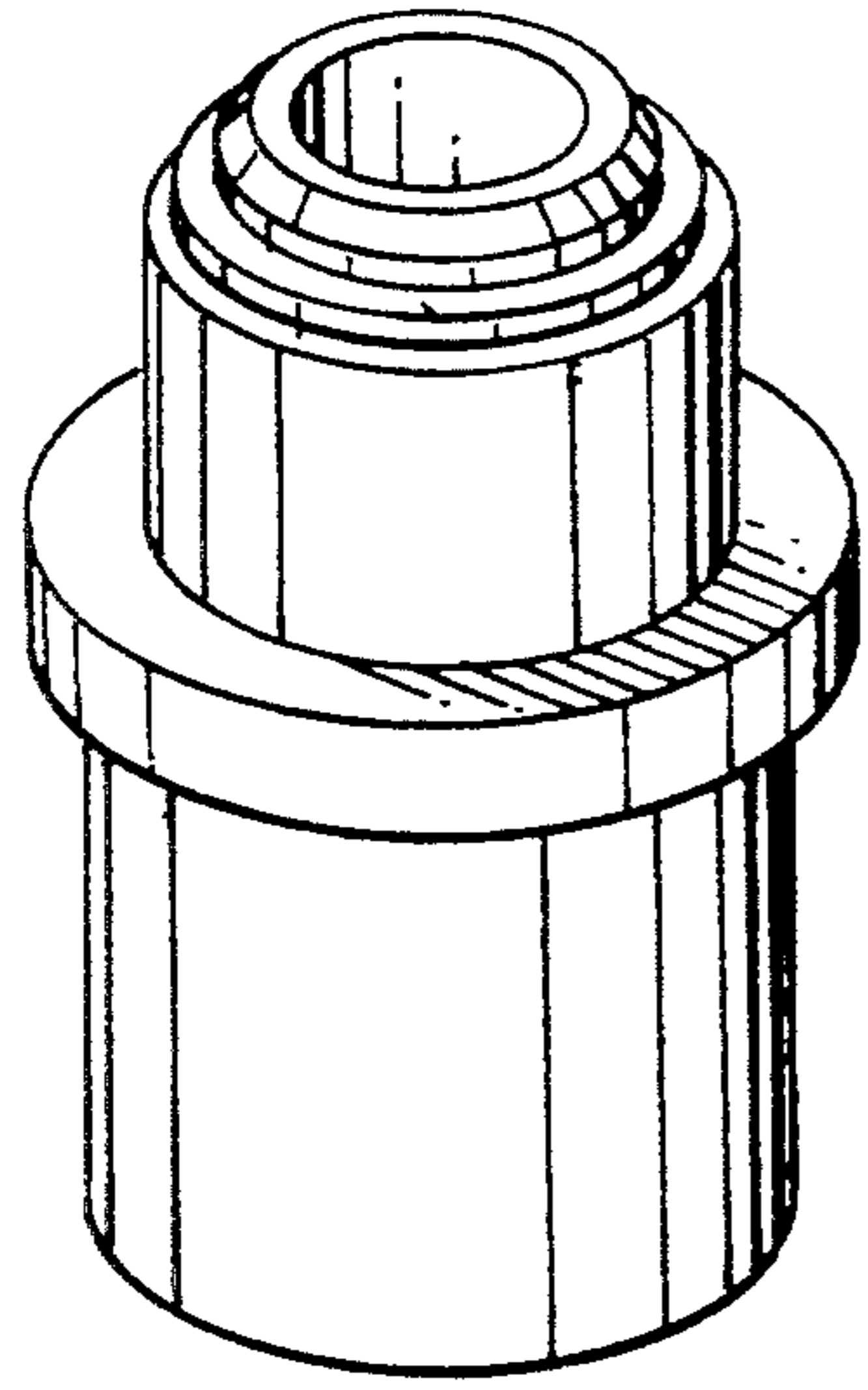


FIG. 1

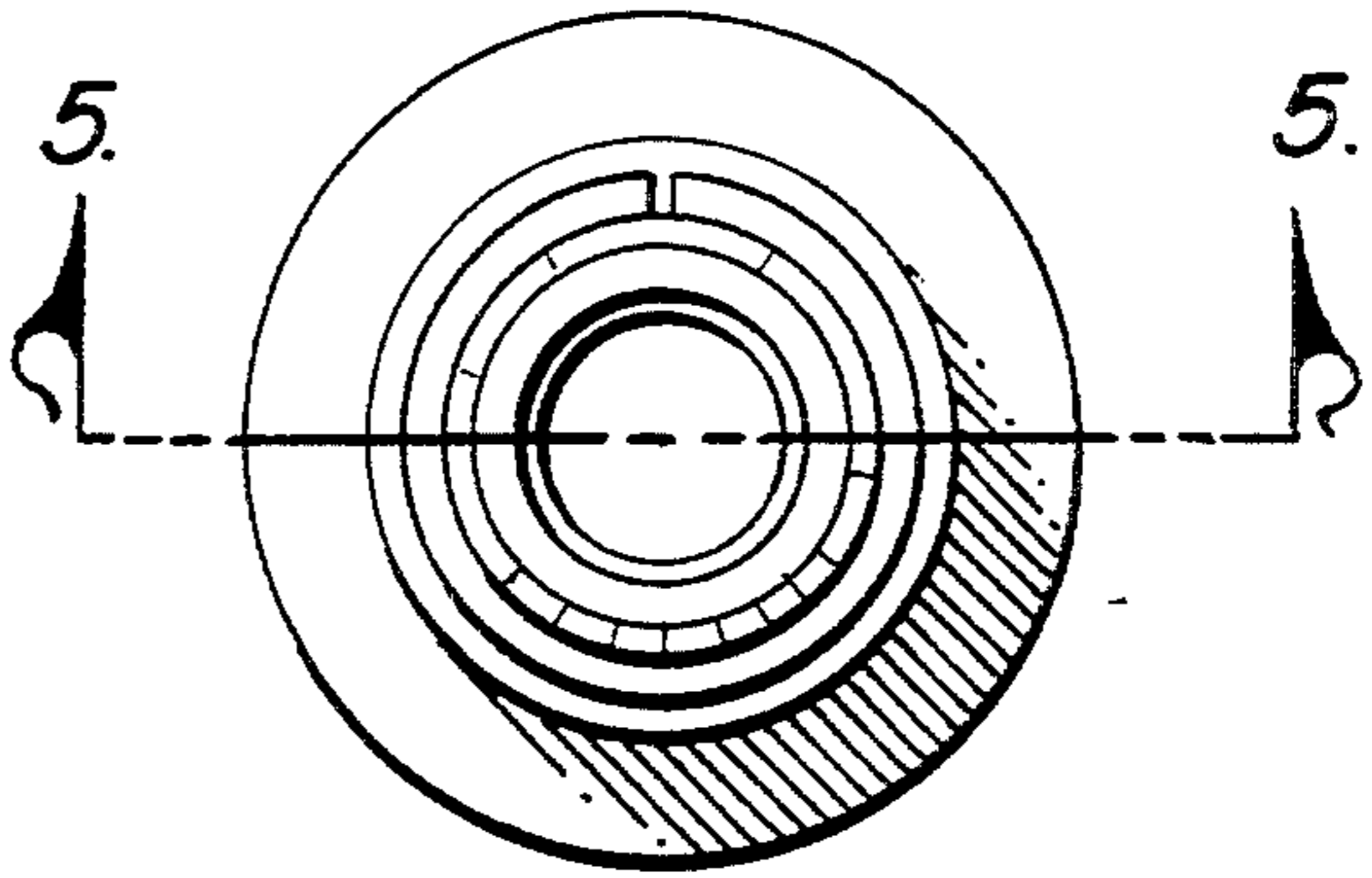


FIG. 2

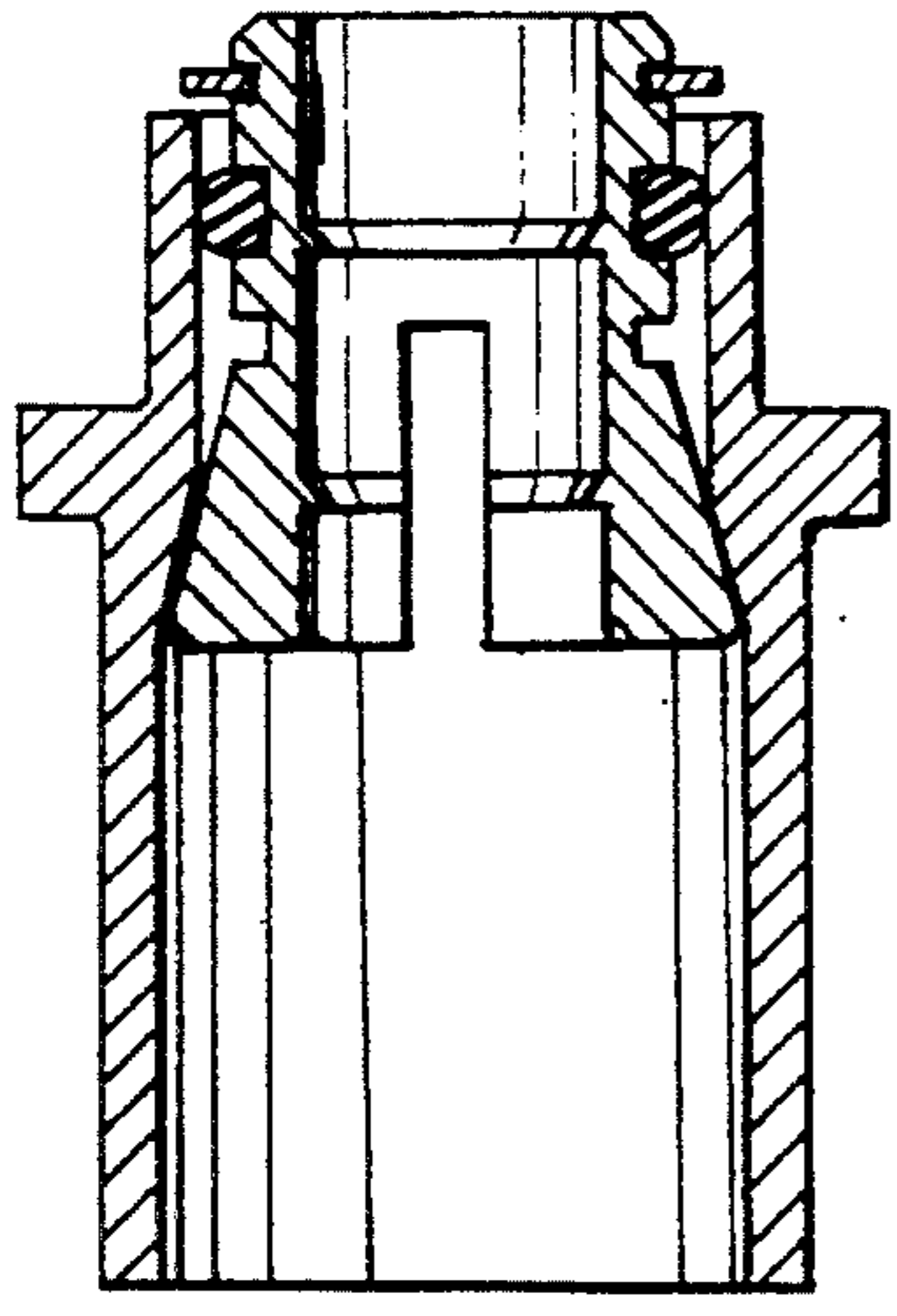


FIG. 5

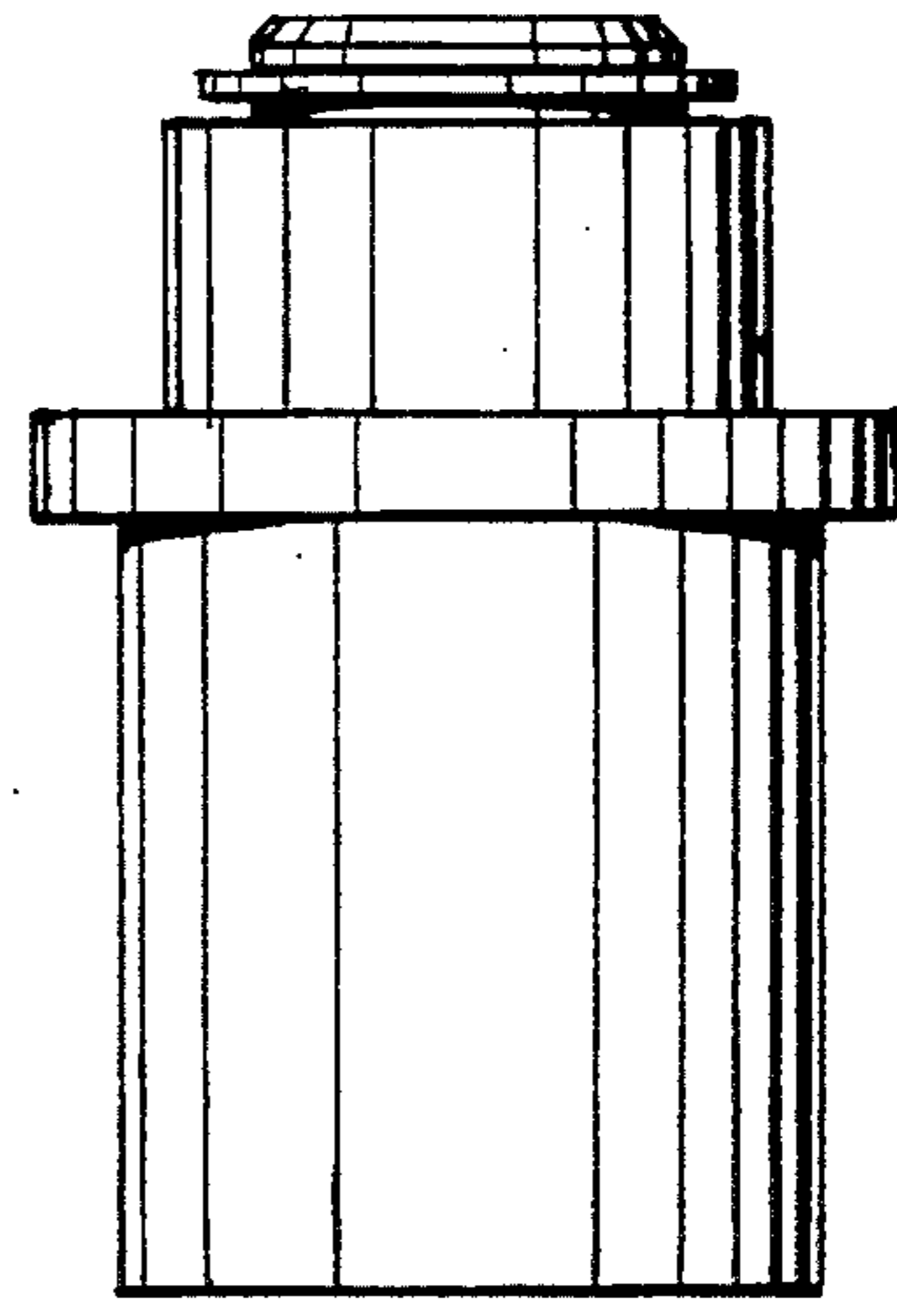


FIG. 4

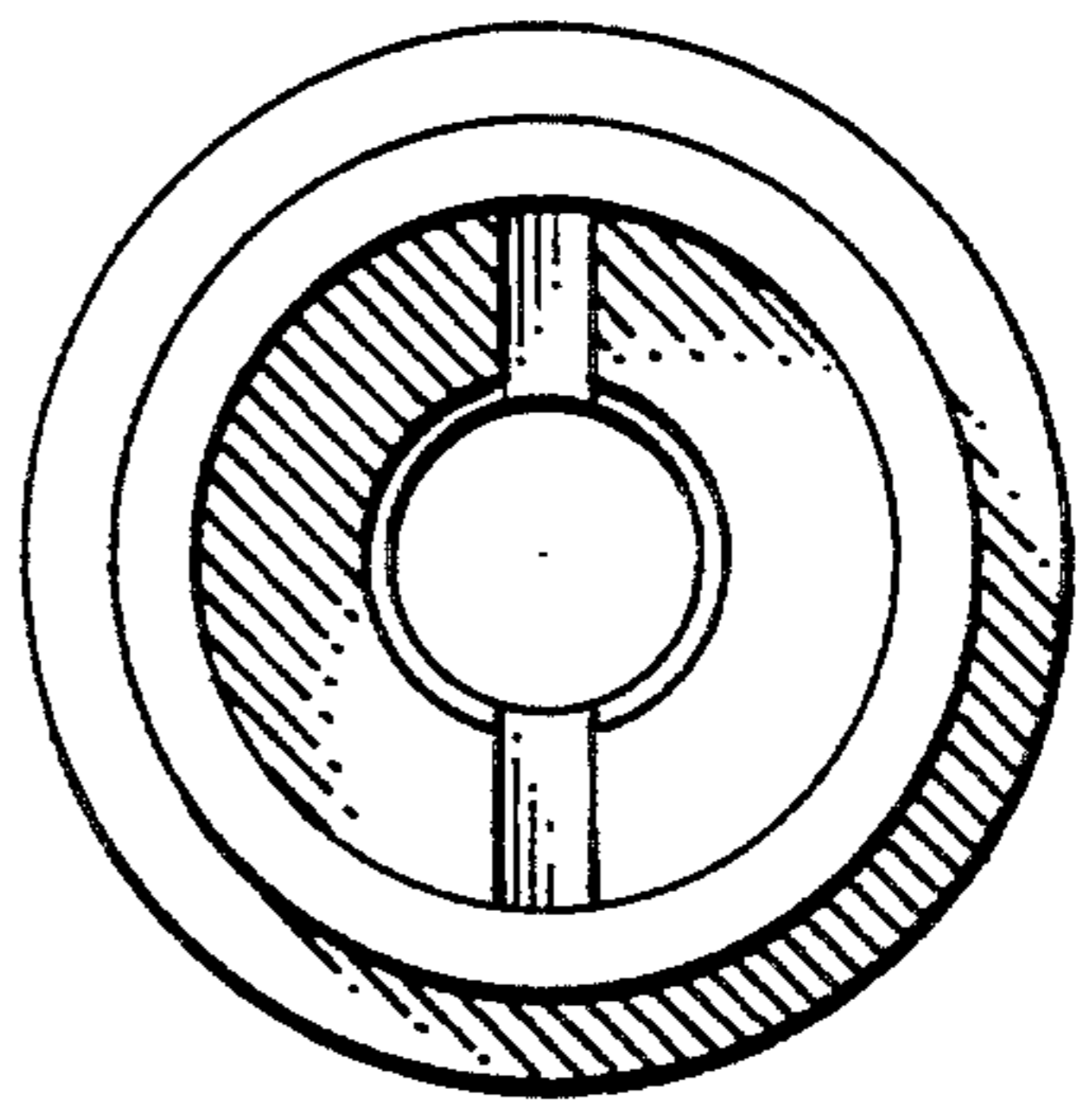


FIG. 3