



US00D357733S

United States Patent [19]
Matkovich

[11] **Patent Number: Des. 357,733**
[45] **Date of Patent: ** Apr. 25, 1995**

[54] **SPIKE DETECTOR**

[75] Inventor: **Vlado I. Matkovich**, Glen Cove, N.Y.

[73] Assignee: **PALL Corporation**, East Hills, N.Y.

[**] Term: **14 Years**

[21] Appl. No.: **920,626**

[22] Filed: **Jul. 28, 1992**

[52] U.S. Cl. **D24/112; D24/114**

[58] Field of Search **D24/112, 129; 604/411, 604/412, 413, 414, 239, 264, 905, 251; 128/765**

[56] **References Cited**

U.S. PATENT DOCUMENTS

D. 229,518	12/1973	Bujan	D24/114
D. 268,698	4/1983	Knute	D24/112
D. 272,850	2/1984	Kulle	D24/112
D. 291,490	8/1987	Raines	D24/112
2,746,455	5/1956	Abel	604/411
2,954,769	10/1960	Callahan et al.	604/413
2,989,053	6/1961	Hamilton	D24/112 X
4,411,661	10/1983	Kersten	604/251 X

4,648,873 3/1987 Robinson 604/251

Primary Examiner—A. Hugo Word

Assistant Examiner—I. Simmons

Attorney, Agent, or Firm—Leydig, Voit & Mayer

[57] **CLAIM**

The ornamental design for a spike connector, as shown and described.

DESCRIPTION

FIG. 1 is a perspective view of a spike connector showing my design;

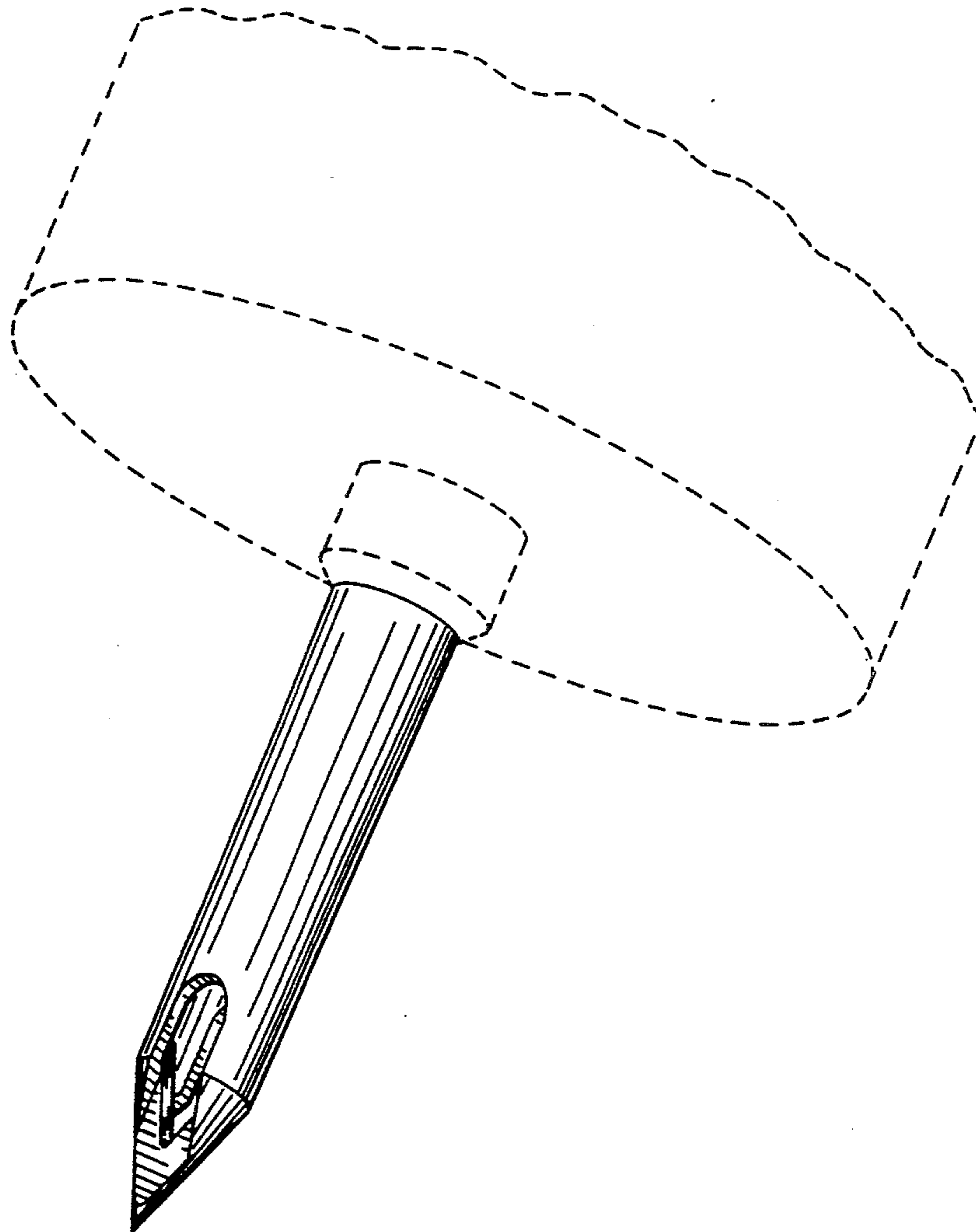
FIG. 2 is a front view of the spike connector shown in FIG. 1;

FIG. 3 is a side view of the spike connector shown in FIG. 1;

FIG. 4 is a top view of the spike connector shown in FIG. 1; and,

FIG. 5 is an enlarged bottom plan view of the spike connector shown in FIG. 1.

The broken line showing of a housing of FIG. 1 is for illustrative purposes only and forms no part of the claimed design.



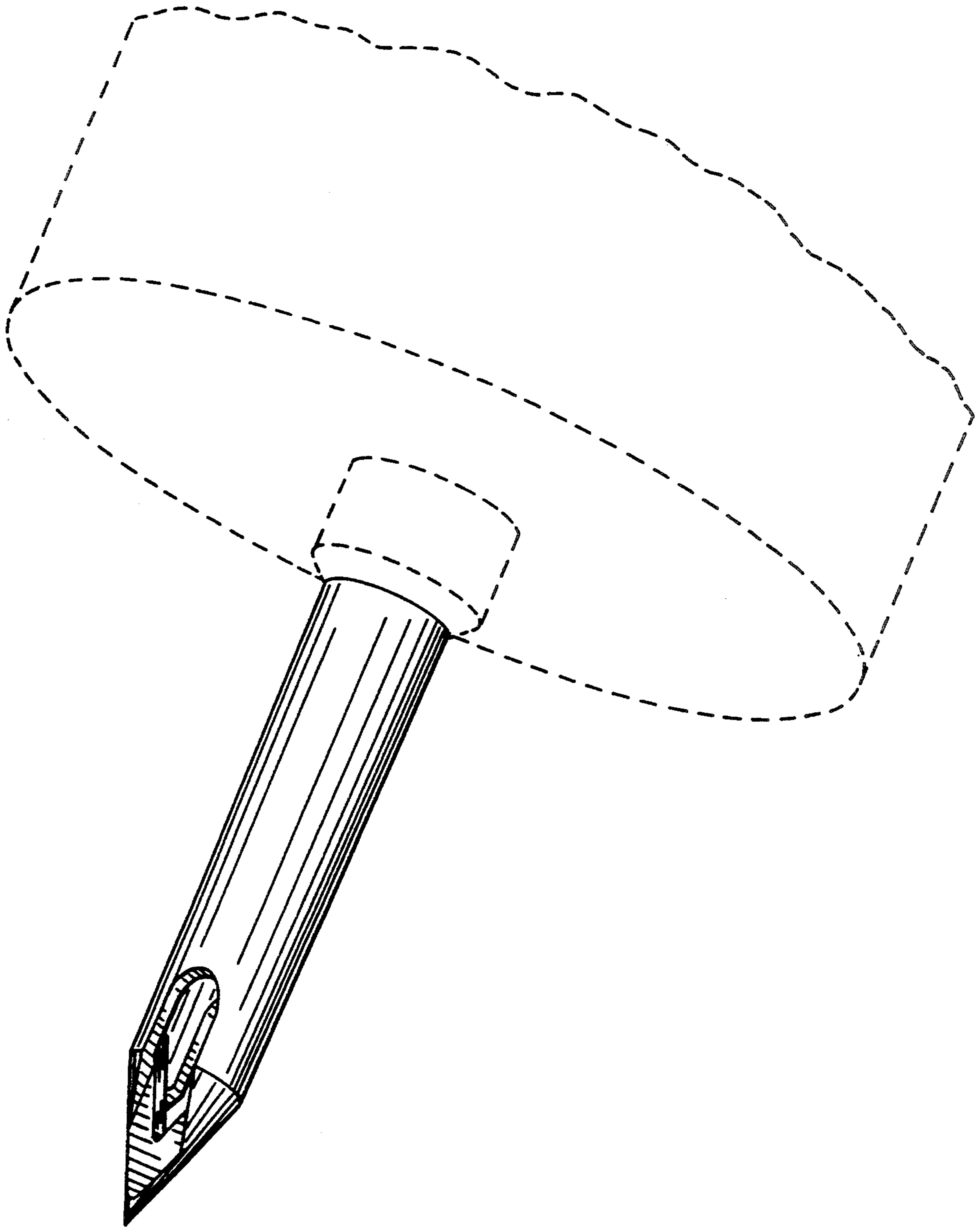


FIG. 1

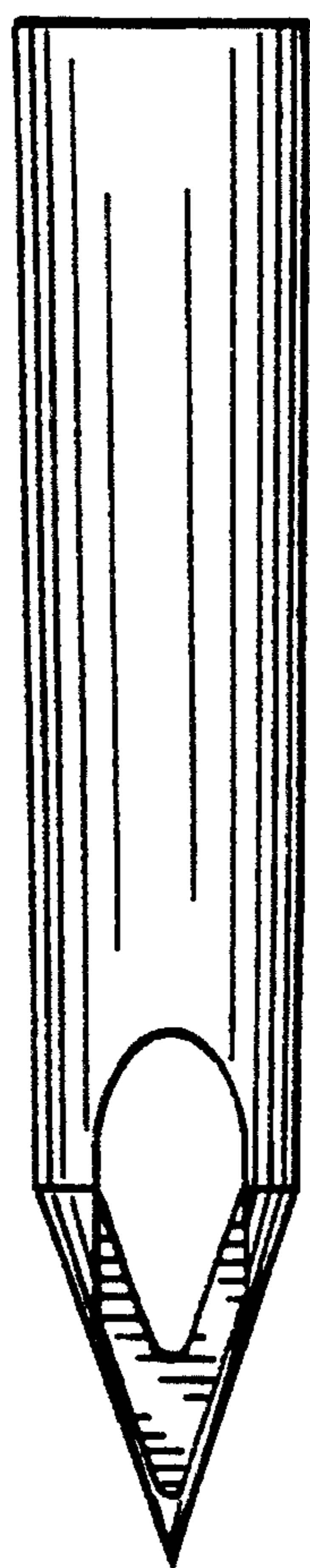


FIG. 2



FIG. 3

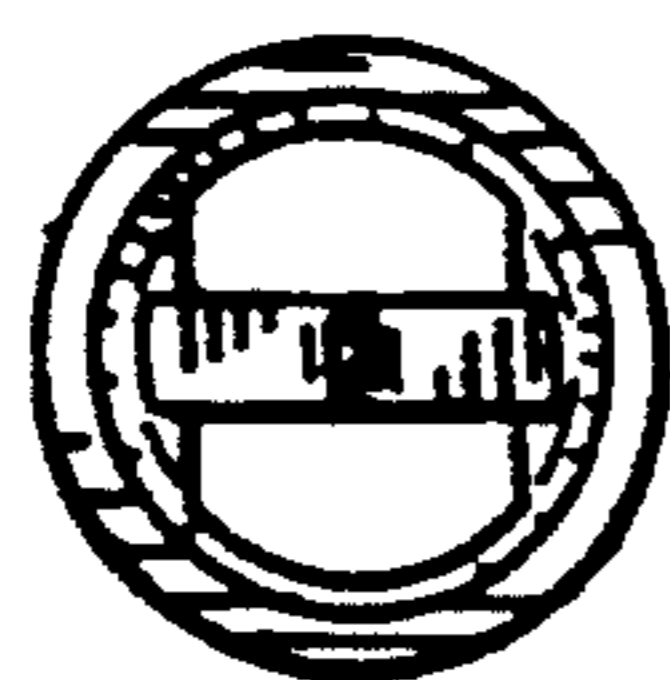


FIG. 4

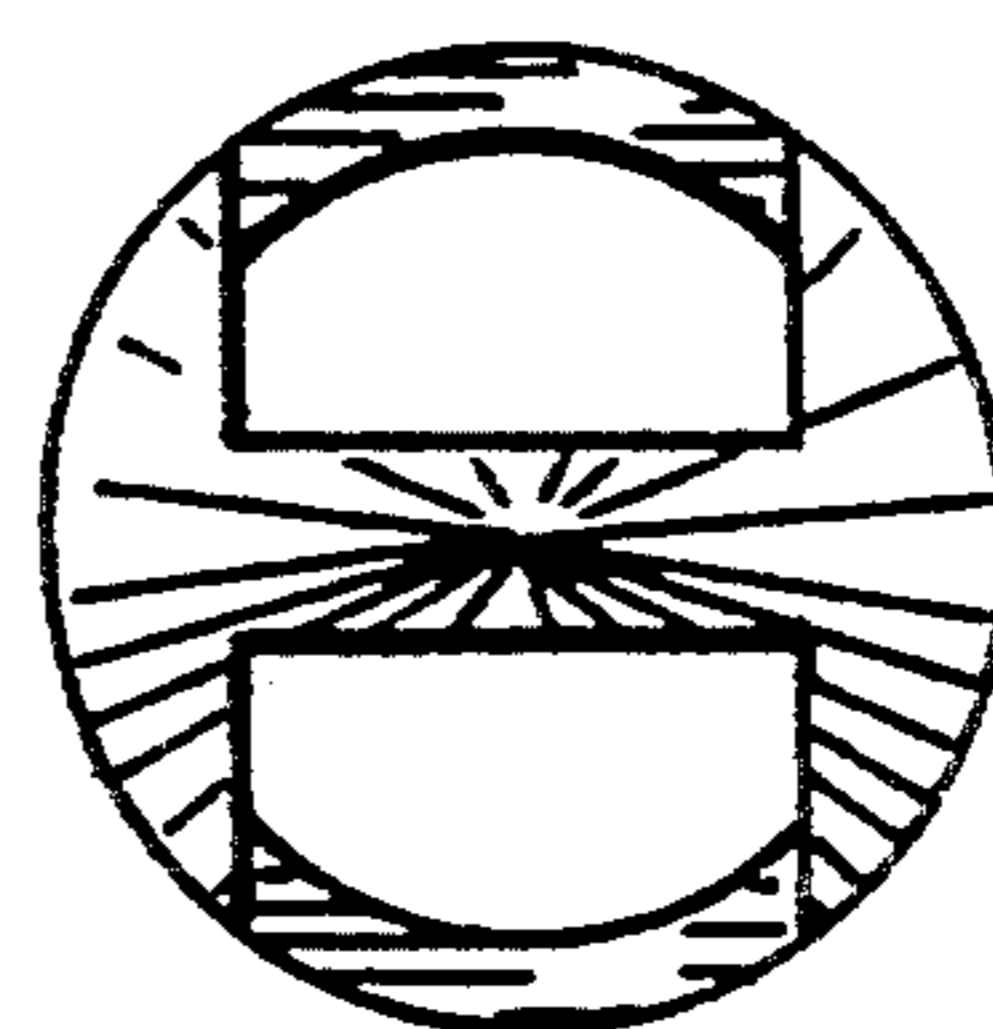


FIG. 5