



US00D357731S

United States Patent [19]

[11] Patent Number: **Des. 357,731**

Chih

[45] Date of Patent: **** Apr. 25, 1995**

[54] **Y-TYPE THREE WAY SINGLE-VALVE PIPE CONNECTOR**

Primary Examiner—A. Hugo Word
Assistant Examiner—E. Watterson
Attorney, Agent, or Firm—Bacon & Thomas

[76] Inventor: **E-Shun Chih**, No.5, Tian-Yang Section, Lu-Gung Town, Chang-Hau Hsien, Taiwan, Prov. of China

[57] **CLAIM**

The ornamental design for a Y-type three way single-valve pipe connector, as shown and described.

[**] Term: **14 Years**

DESCRIPTION

[21] Appl. No.: **6,561**

FIG. 1 is a top view of a Y-type three way single-valve pipe connector showing my new design;

[22] Filed: **Mar. 31, 1993**

FIG. 2 is a front view thereof;

[52] U.S. Cl. **D23/263**

FIG. 3 is a rear view thereof;

[58] Field of Search **D23/263, 264; 137/625.22, 625.46, 625.47, 876**

FIG. 4 is a left side view thereof, the right side being an identical mirror image;

[56] **References Cited**

U.S. PATENT DOCUMENTS

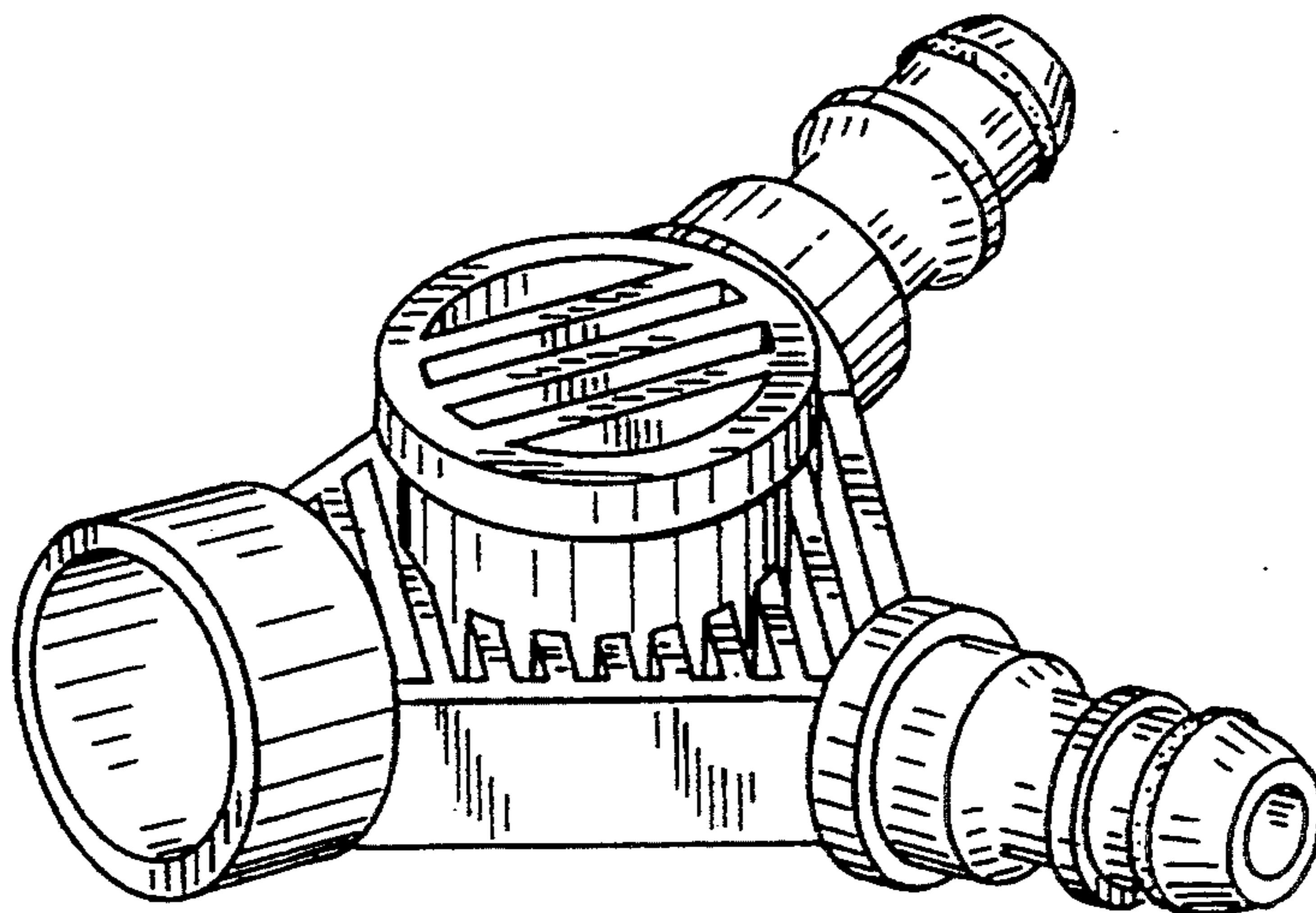
D. 214,906	8/1969	Steinmeyer	D23/263	X
D. 251,734	5/1979	McCaw et al.	D23/263	X
D. 273,320	4/1984	Mottingly et al.	D23/263	
3,791,679	2/1974	Glover	D23/263	X
4,593,717	6/1986	Levasseur	137/625.47	X

FIG. 5 is a bottom view thereof;

FIG. 6 is a perspective view thereof; and,

FIG. 7 is a top view of a Y-type three way single-valve connector according to the present invention.

The second embodiment as shown in FIG. 7 has sides, top and bottom identical to that shown in FIGS. 1 through 6 with the only difference being in the Y-type three way single-valve connector elements.



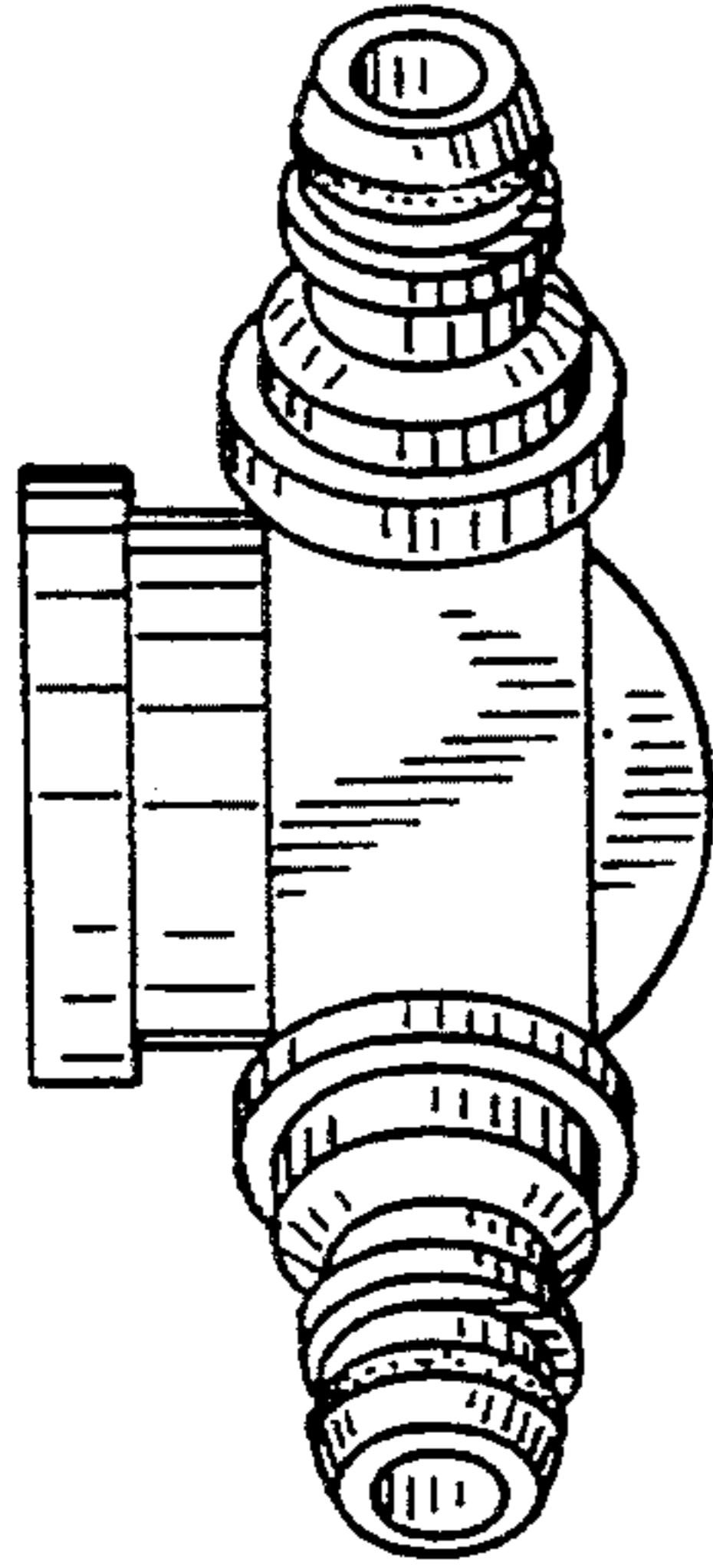


FIG. 3

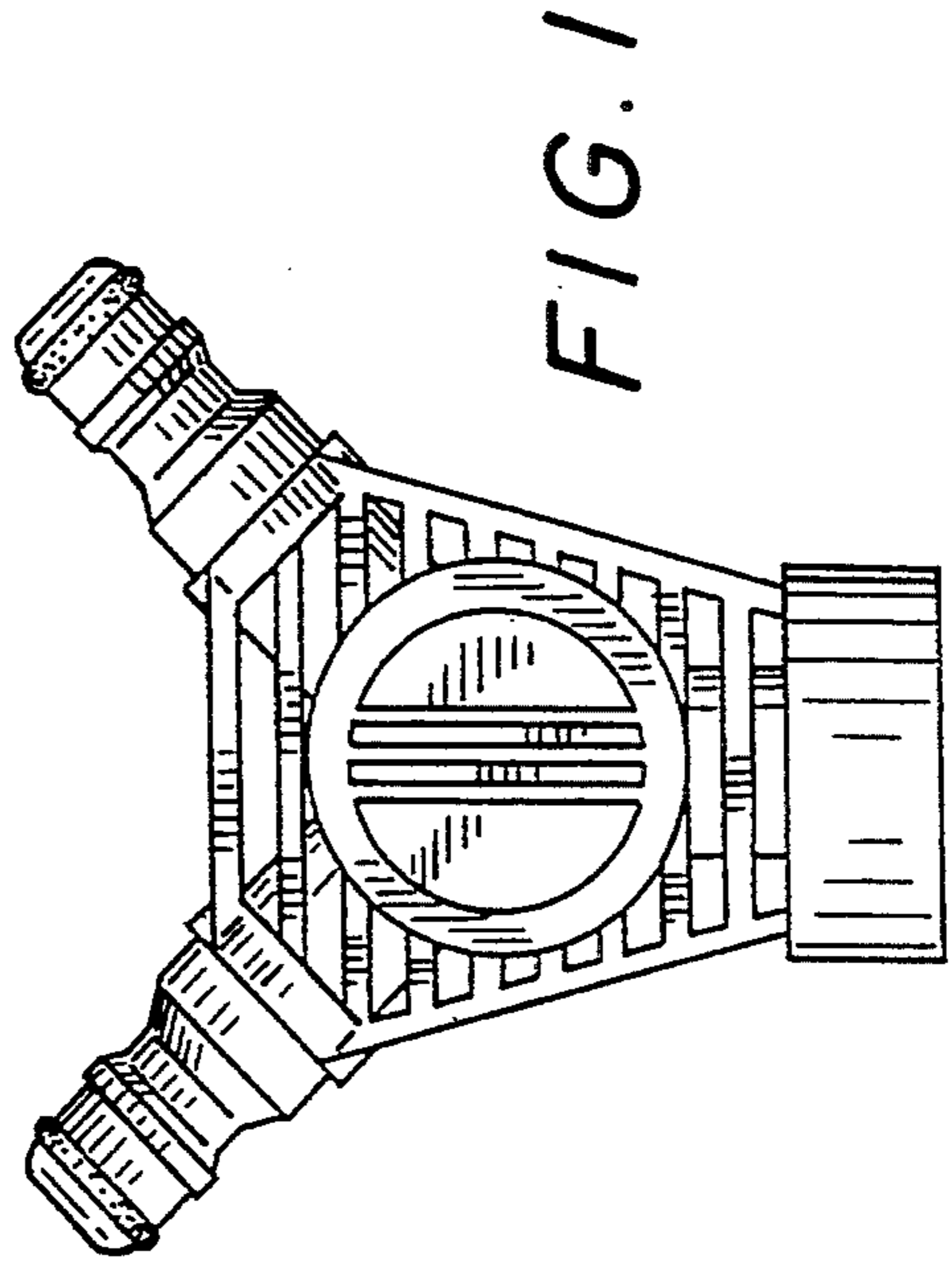


FIG. 1

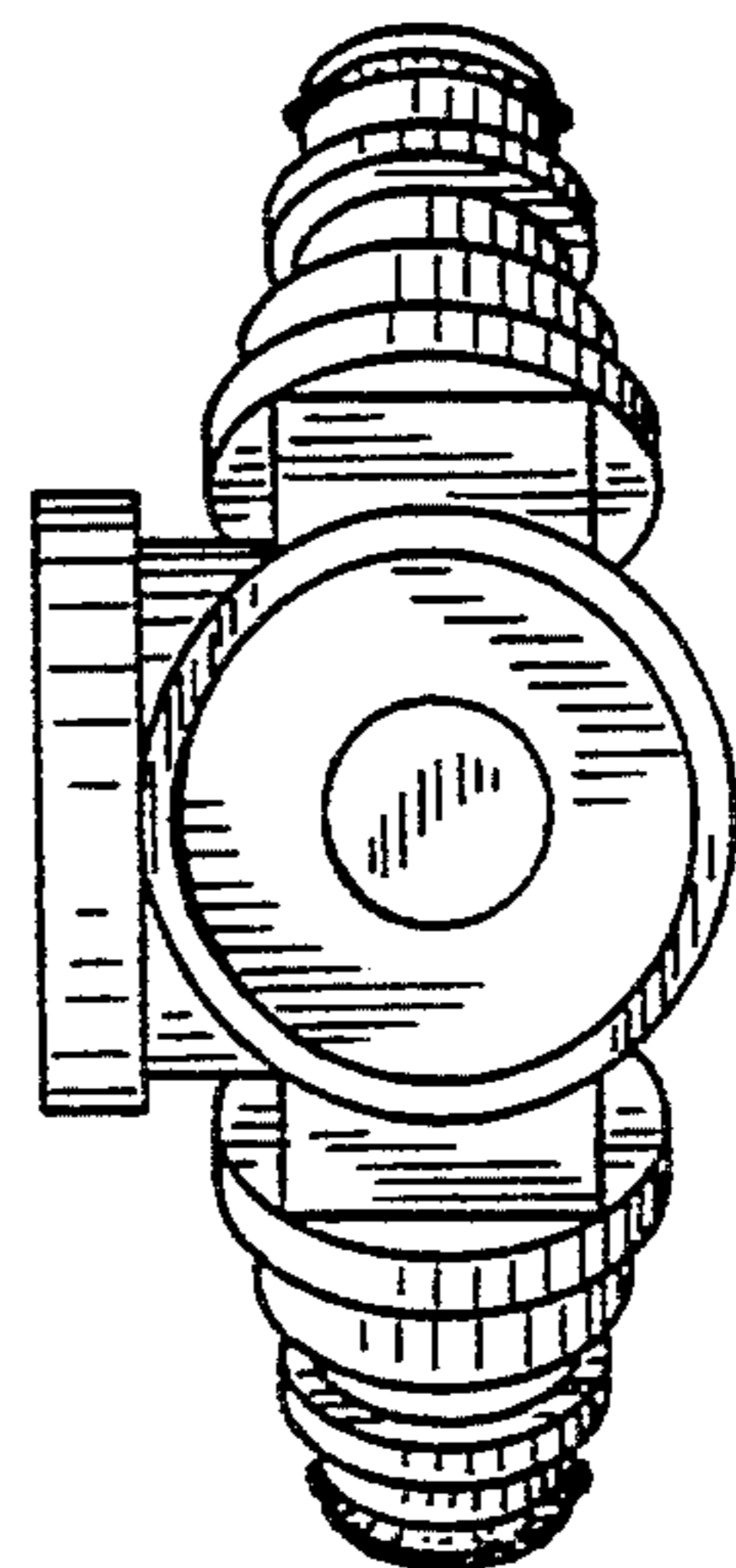


FIG. 2

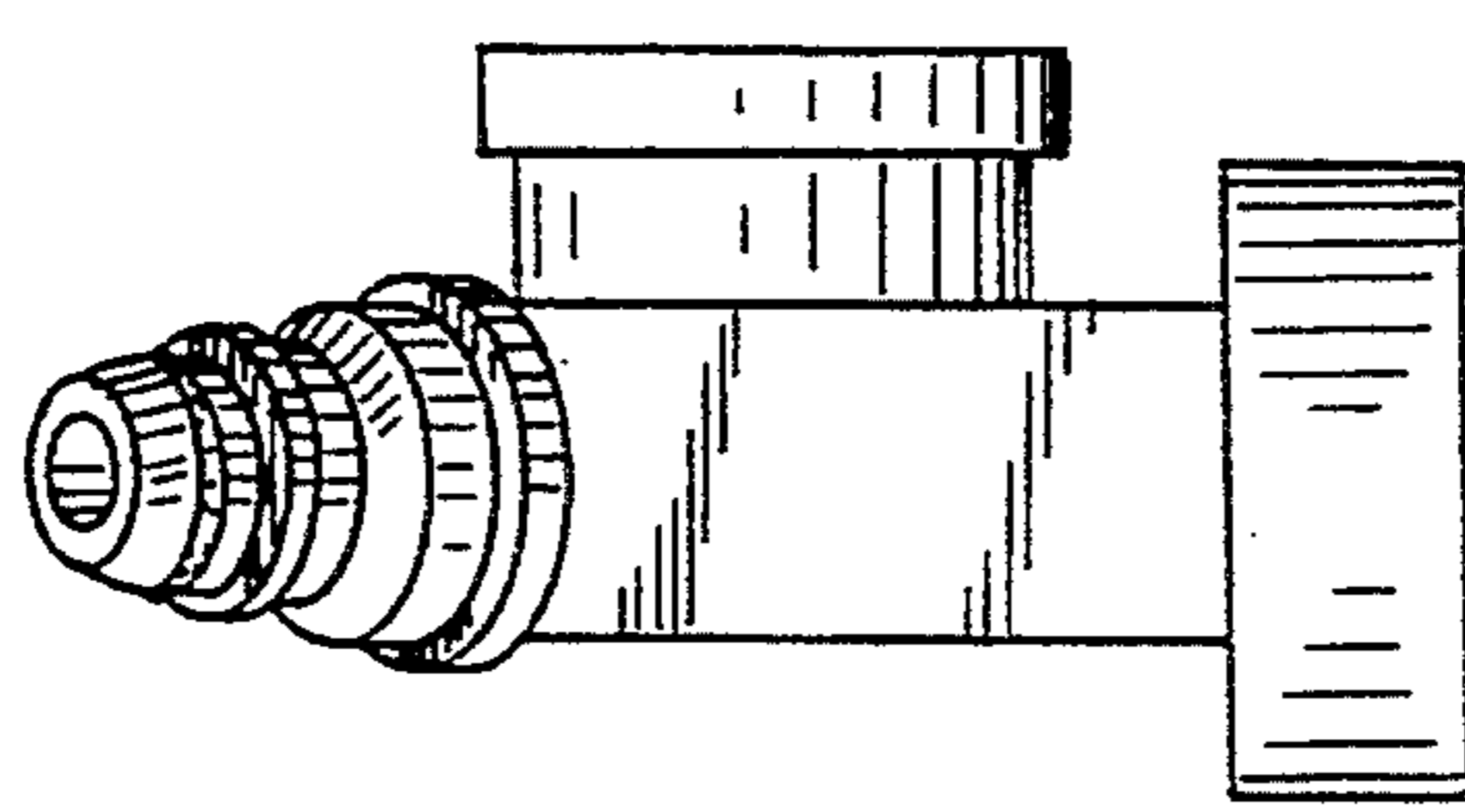


FIG. 4

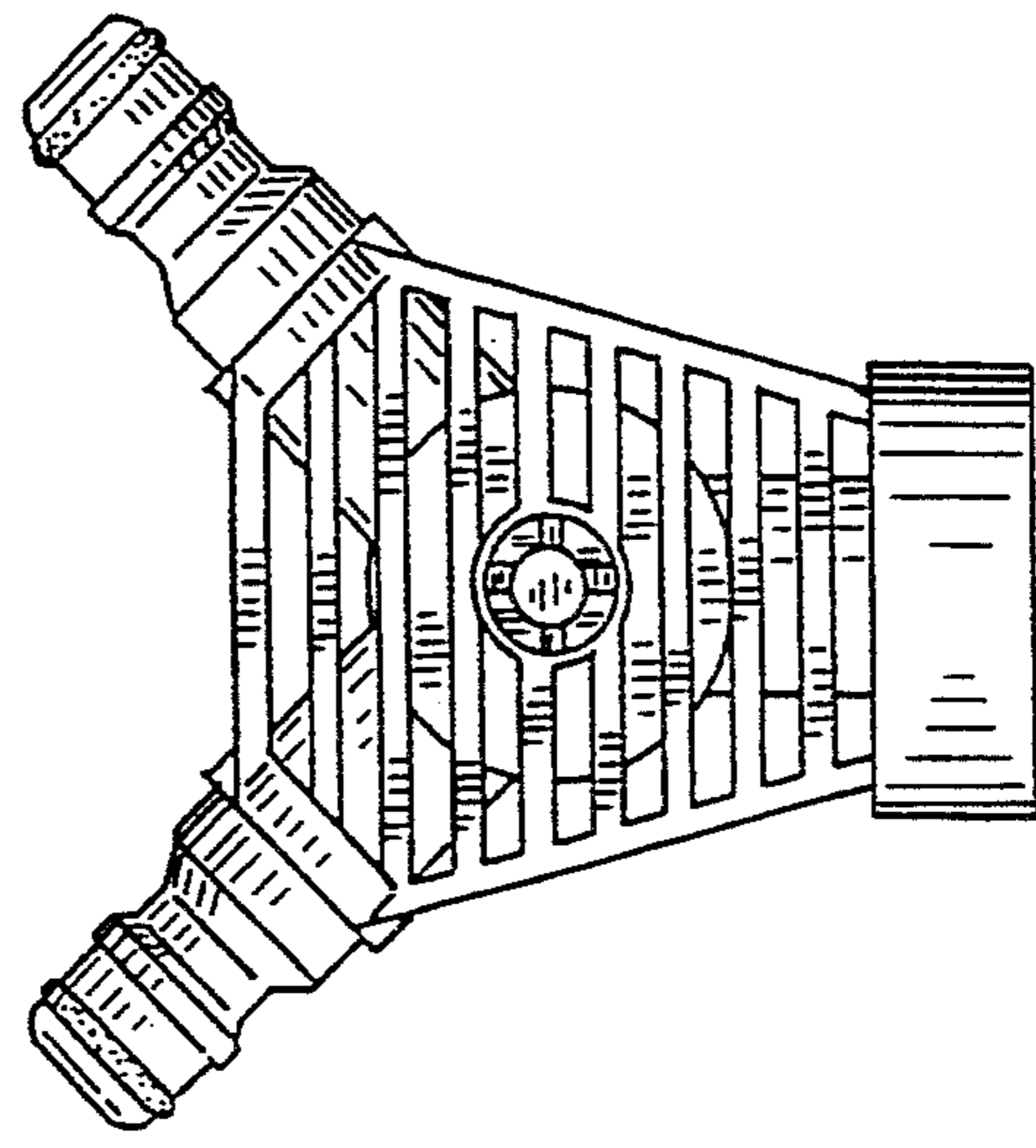


FIG. 5

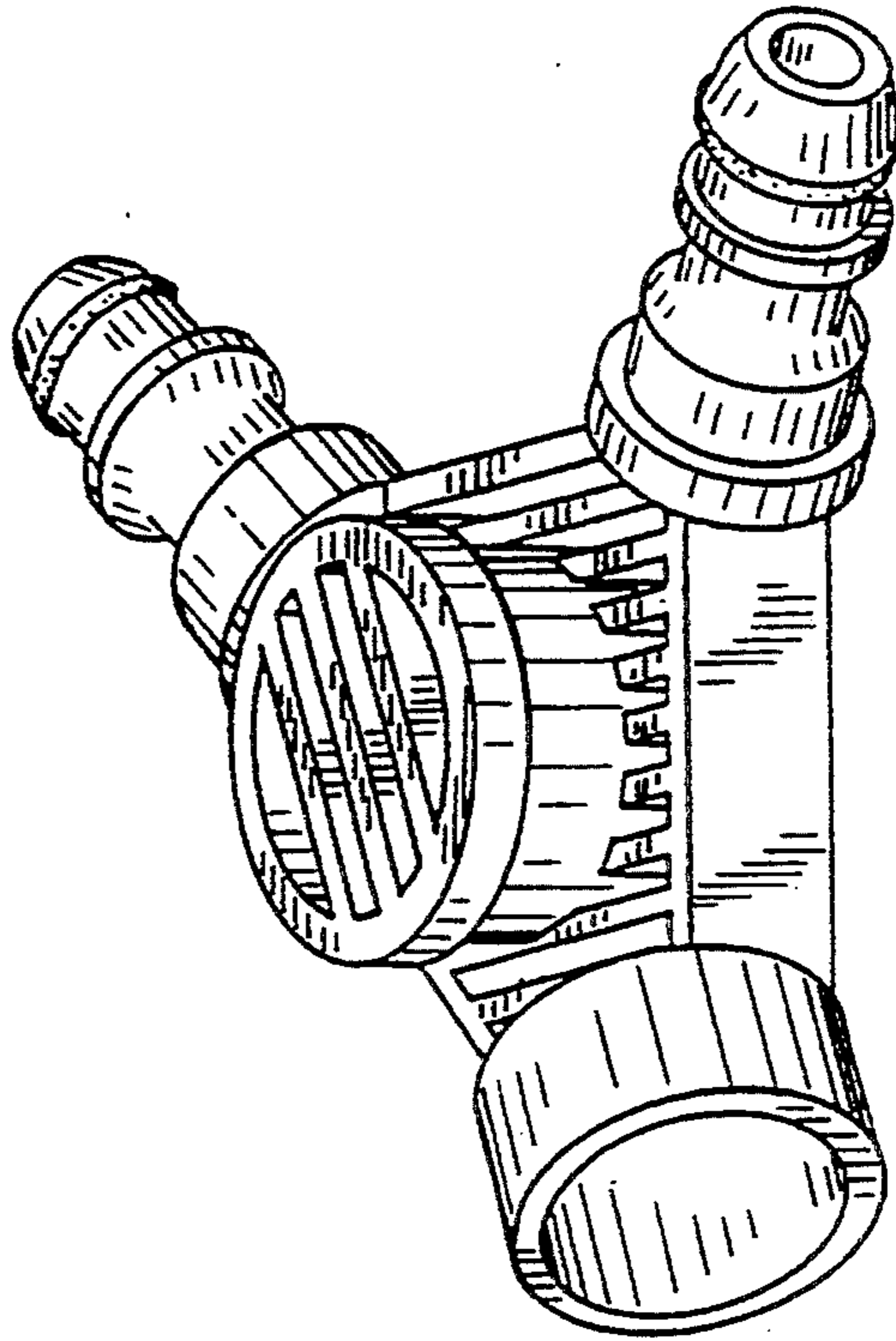


FIG. 6

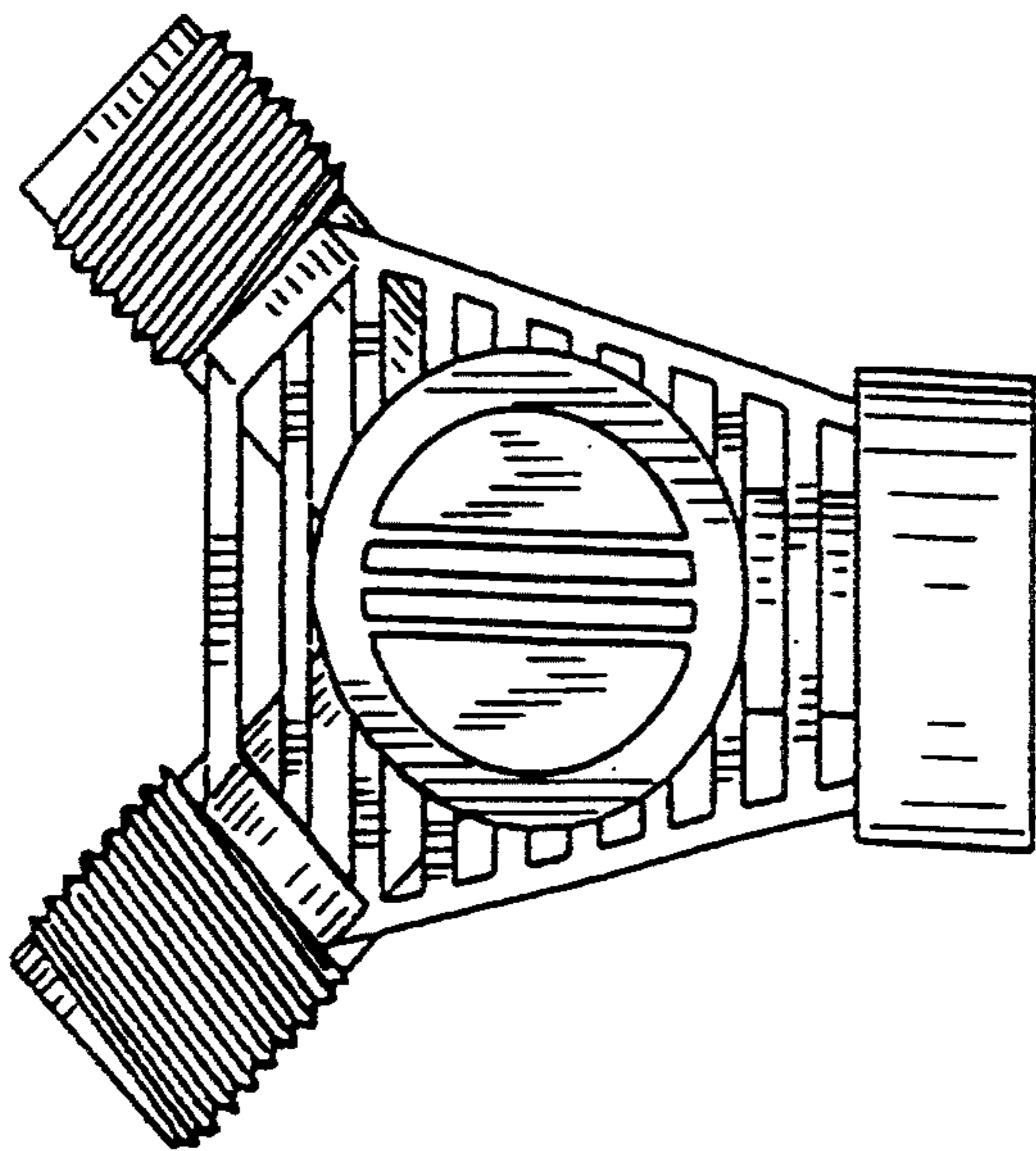


FIG. 7