



US00D357730S

United States Patent [19]
Saperstein

[11] **Patent Number: Des. 357,730**

[45] **Date of Patent: ** Apr. 25, 1995**

[54] **FAUCET HANDLE**

[75] **Inventor: Stanley Z. Saperstein, deceased, late of Harrington Park, N.J., by Carol Saperstein, administratrix**

[73] **Assignee: Harrington Brass Works Ltd. Inc., Englewood, N.J.**

[**] **Term: 14 Years**

[21] **Appl. No.: 20,932**

[22] **Filed: Apr. 5, 1994**

[52] **U.S. Cl. D23/252**

[58] **Field of Search D23/238-243, D23/249-254; D8/308, 310; 251/291, 292; 4/678, 677, 676, 675; 137/807; 16/110 R, 111 R, 114 R, 118, 121, 123, 125, DIG. 24, DIG. 30, DIG. 41**

[56] **References Cited**

U.S. PATENT DOCUMENTS

D. 290,496 6/1987 Ryan D23/252
D. 299,109 12/1988 Jans D8/308 X
D. 311,438 10/1990 Strignano D23/242

Primary Examiner—A. Hugo Word

Assistant Examiner—E. Watterson

Attorney, Agent, or Firm—Lerner, David, Littenberg, Krumholz & Mentlik

[57] **CLAIM**

The ornamental design for a faucet handle, as shown and described.

DESCRIPTION

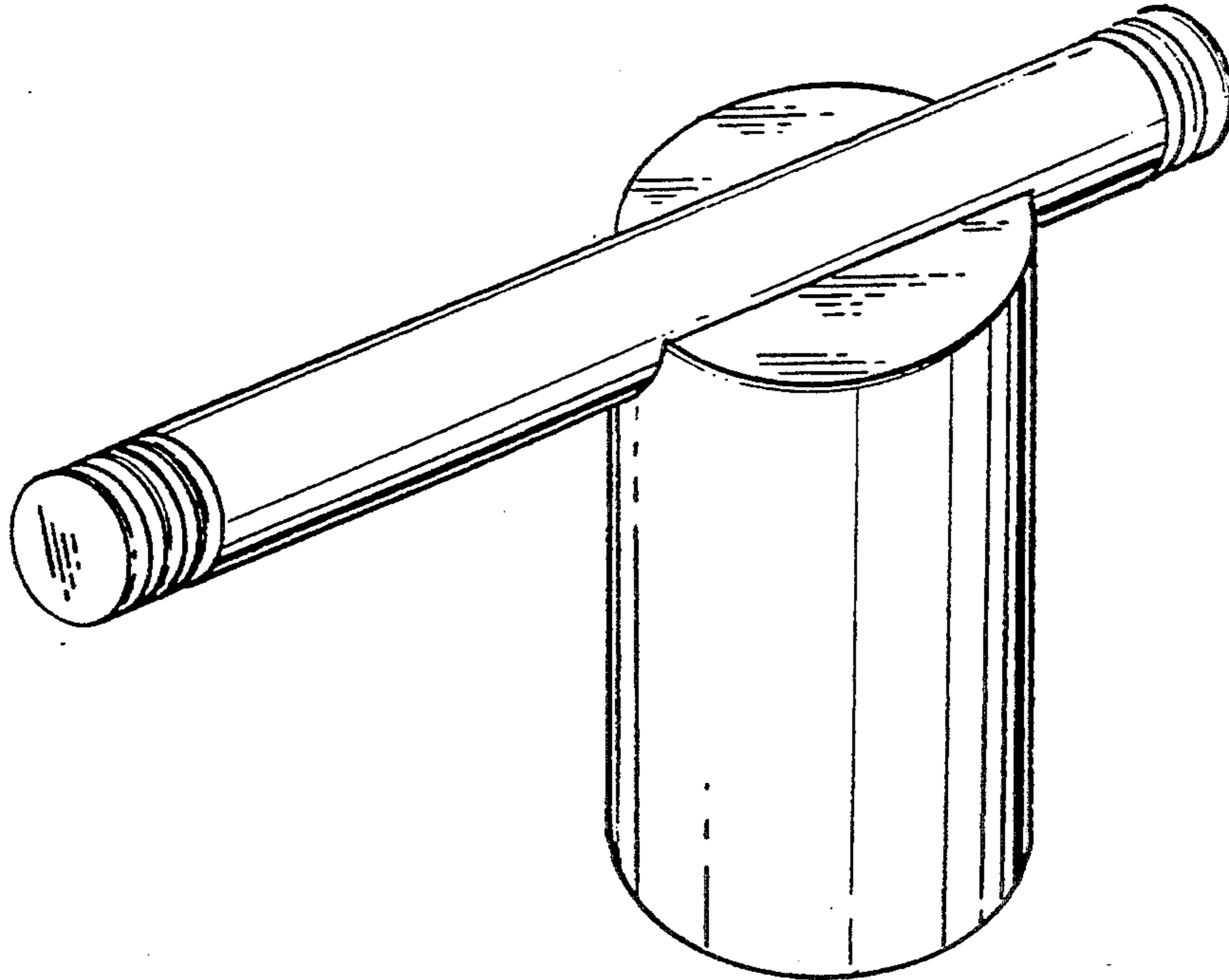
FIG. 1 is a perspective view of the faucet handle of the present invention;

FIG. 2 is a front elevational view thereof, the rear elevational view being identical thereto;

FIG. 3 is a right-side elevational view thereof, the left-side elevational view being a mirror image thereof;

FIG. 4 is a top plan view thereof; and,

FIG. 5 is a bottom plan view thereof.



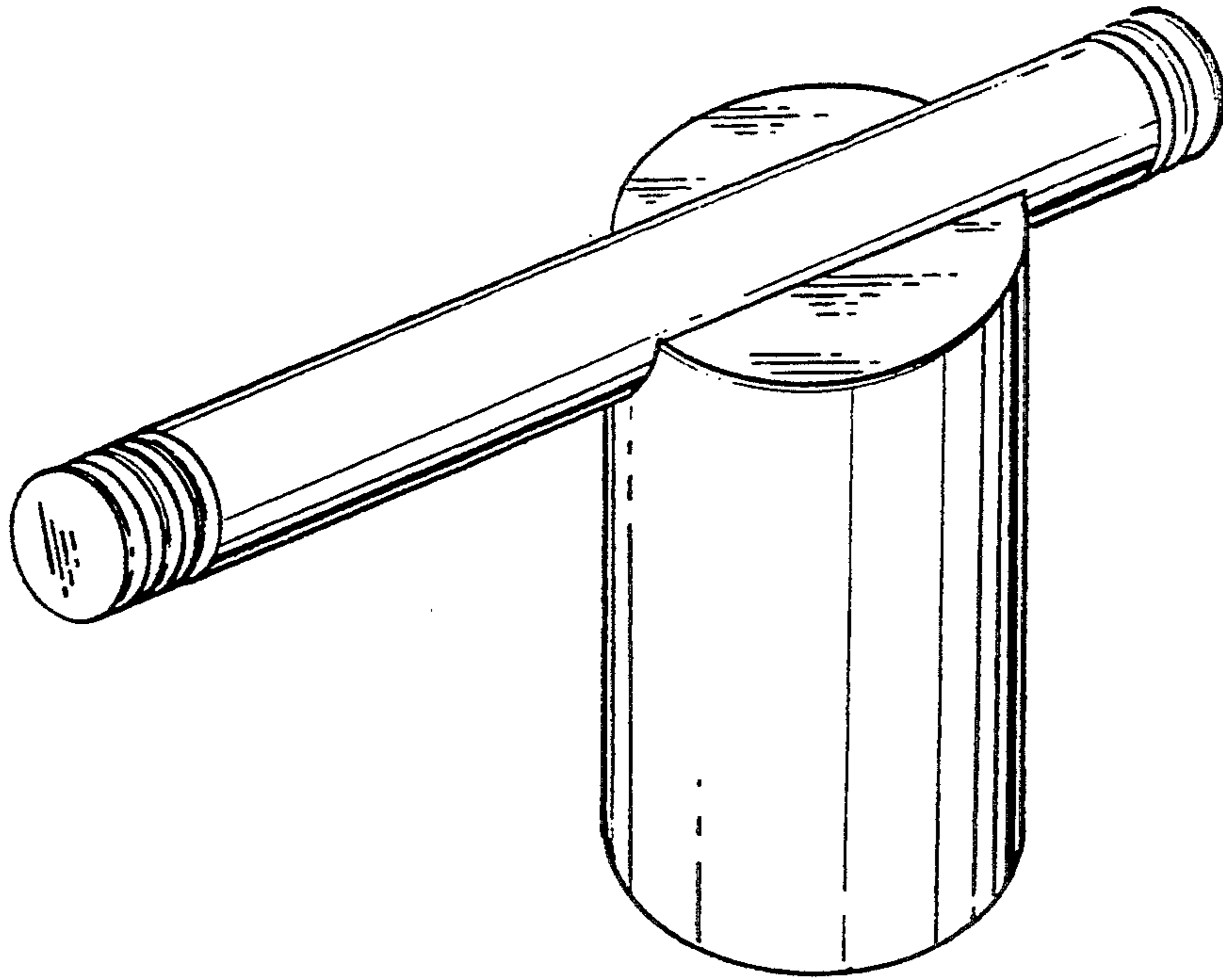


FIG. 1

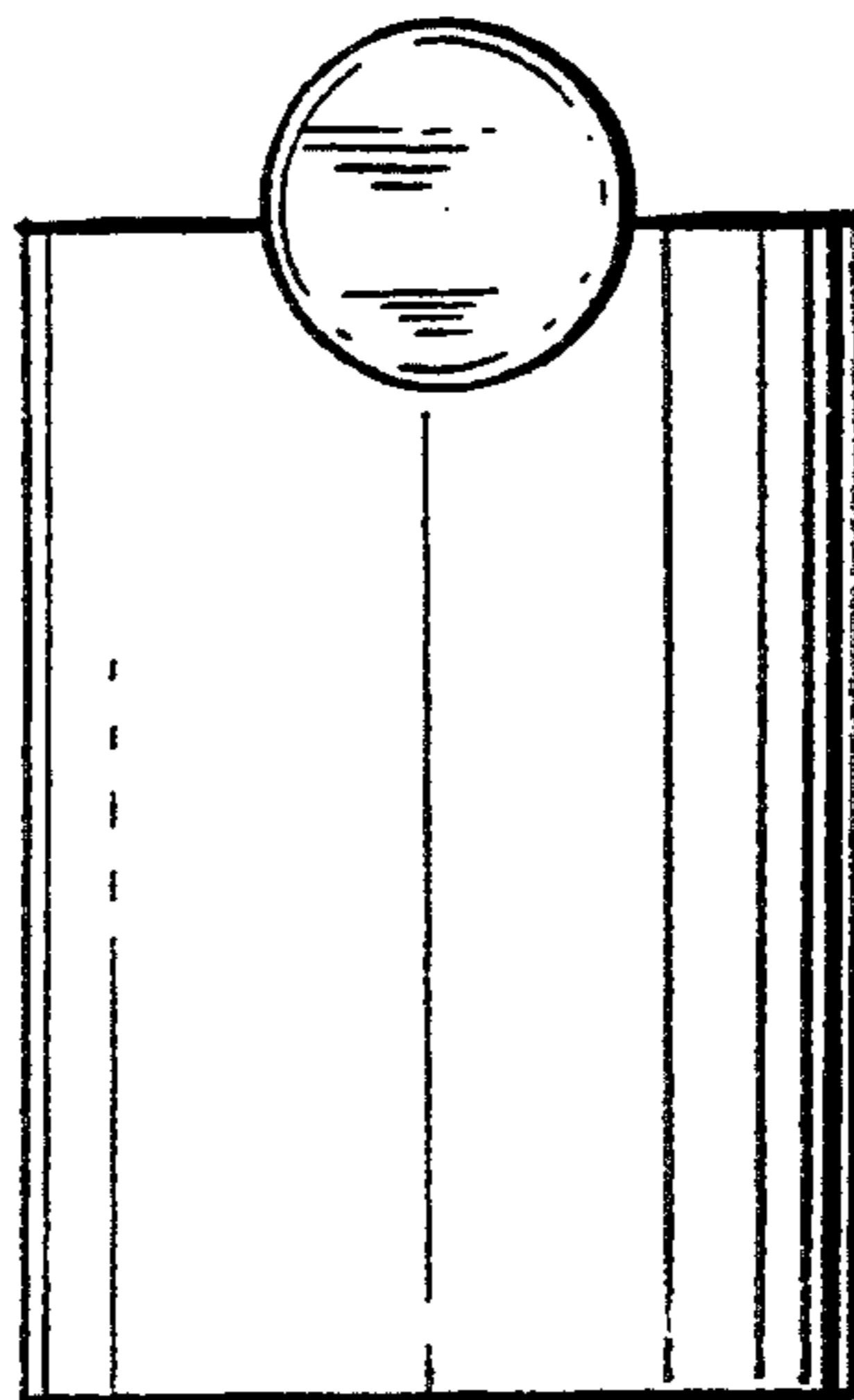


FIG. 2

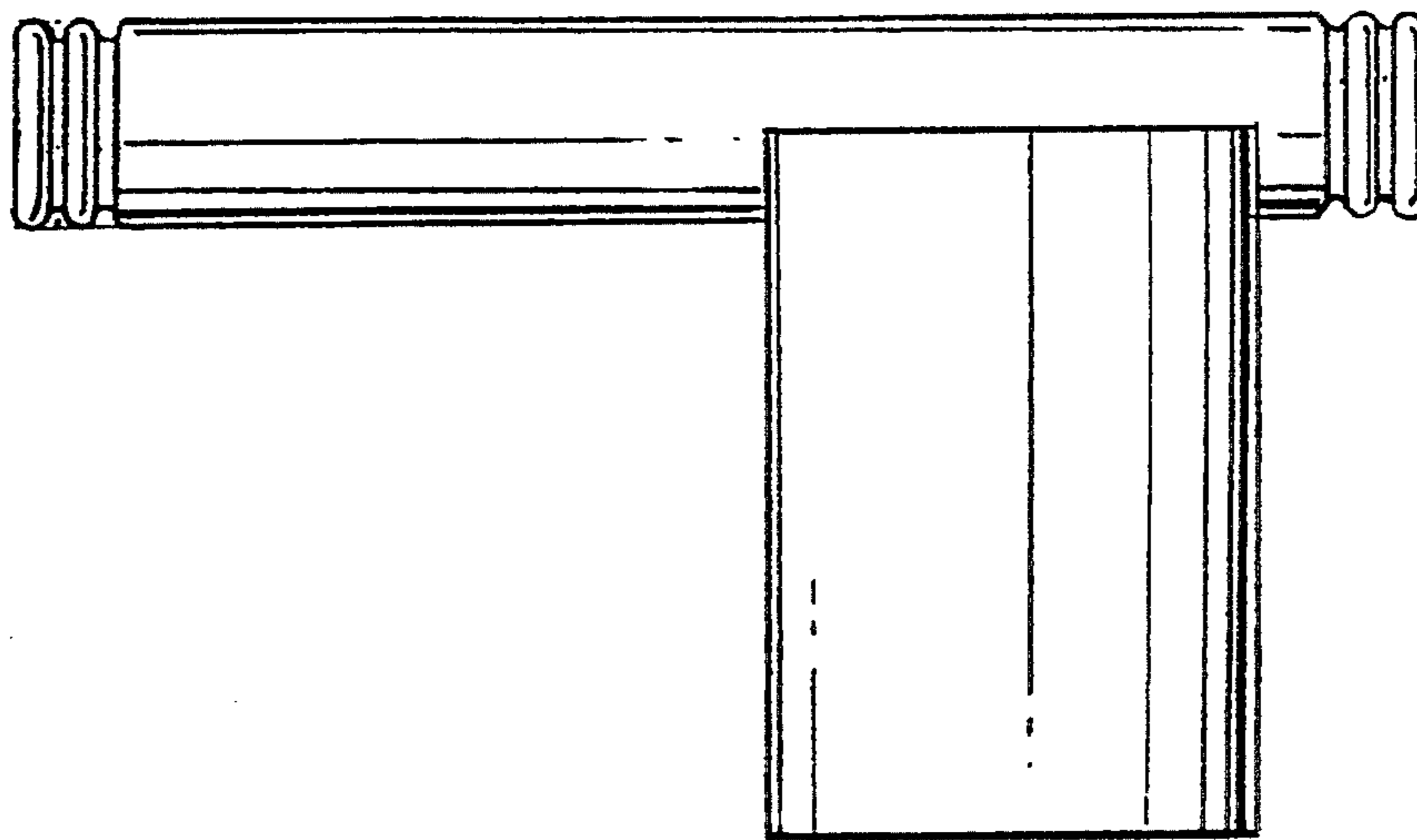


FIG. 3

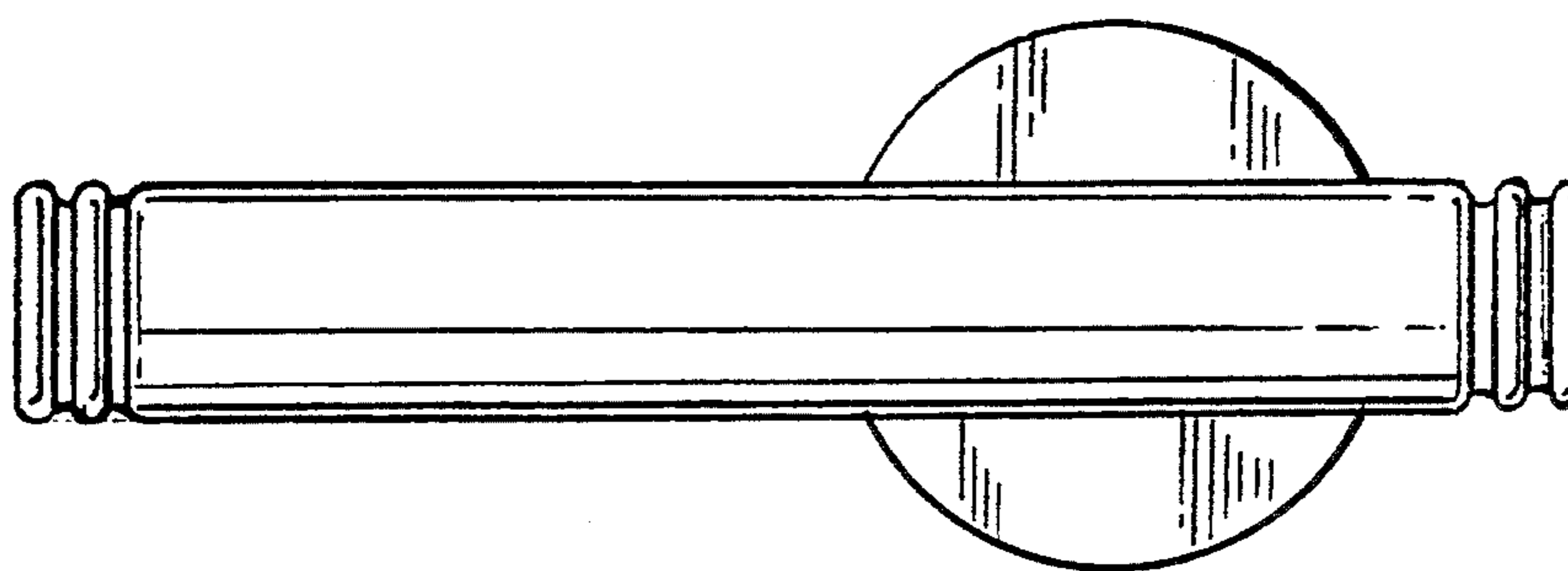


FIG. 4

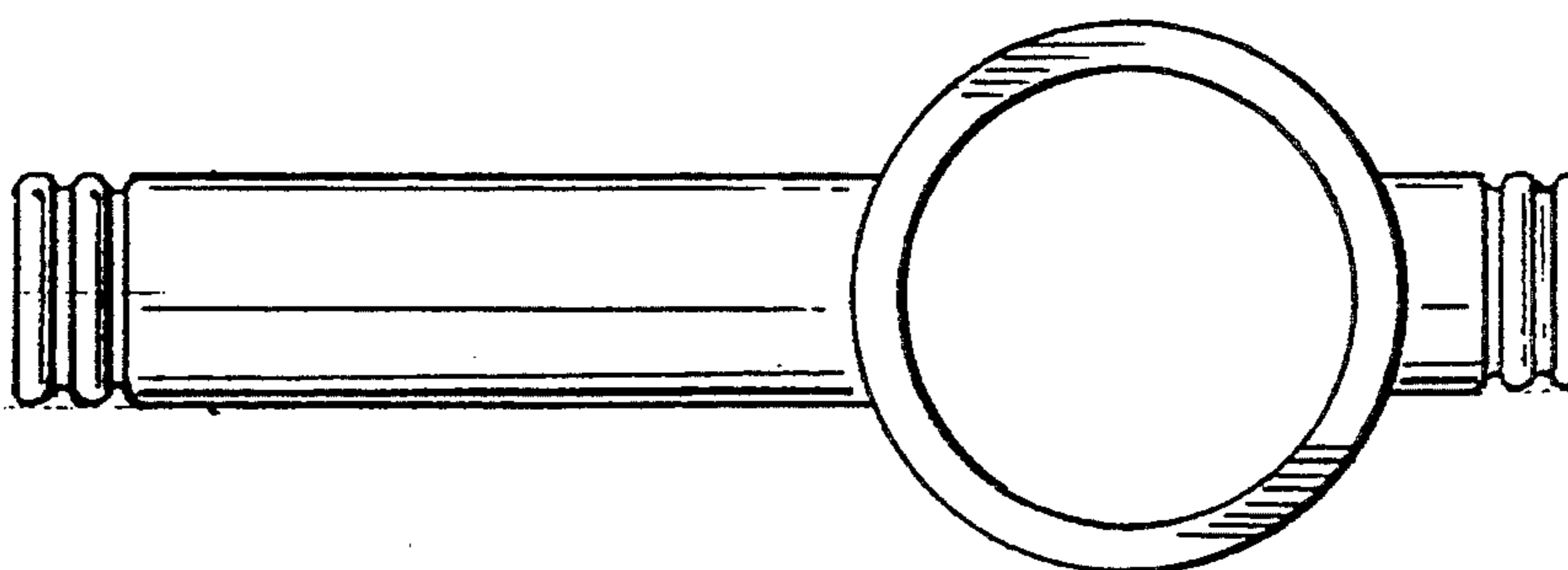


FIG. 5