



US00D357729S

United States Patent [19]

[11] Patent Number: **Des. 357,729**

Boyd

[45] Date of Patent: **** Apr. 25, 1995**

[54] WATERING CAN

[75] Inventor: **Edward L. Boyd, Montvale, N.J.**

[73] Assignee: **Rubbermaid Specialty Products Inc.,
Wooster, Ohio**

[**] Term: **14 Years**

[21] Appl. No.: **18,548**

[22] Filed: **Feb. 7, 1994**

[52] U.S. Cl. **D23/212; D23/200**

[58] Field of Search **D9/341, 524, 527, 528;
D23/200-213; 47/45.8 R, 45.8 CR, 45.5 SG,
48.59, 48.5 M, 48.5 S, 48.5; 210/DIG. 4, 97,
139, 169, 193, 198.1, 200, 205, 206, 209, 211,
212, 222, 223, 231, 242.1, 243, 244, 245, 246,
257.1, 257.2; 222/174, 310, 372, 383, 384, 385,
465.1, 466, 478, 481, 468, 565, 567, 571, 572,
573; 239/16-23, 289, 310, 317, 318, 375, 376,
377, 526, 583**

D. 266,018	8/1982	Dilyard	D23/212
D. 266,450	10/1982	Swett et al.	D23/212
D. 278,928	5/1985	Gerber	D23/212
D. 279,310	6/1985	Murphy	D23/212
880,522	3/1908	Gray .	
1,699,459	1/1929	Ullrich	239/377
1,702,523	2/1929	Schafer	239/377
2,372,466	3/1945	Zvolanek	239/377 X
3,648,933	3/1972	Grotz	239/377
4,030,664	6/1977	Tisbo et al.	239/289

Primary Examiner—Louis S. Zarfaz
Assistant Examiner—Monica A. Hannon
Attorney, Agent, or Firm—Richard B. O’Planick; Lisa B. Riedesel

[57] CLAIM

The ornamental design for a watering can, as shown and described.

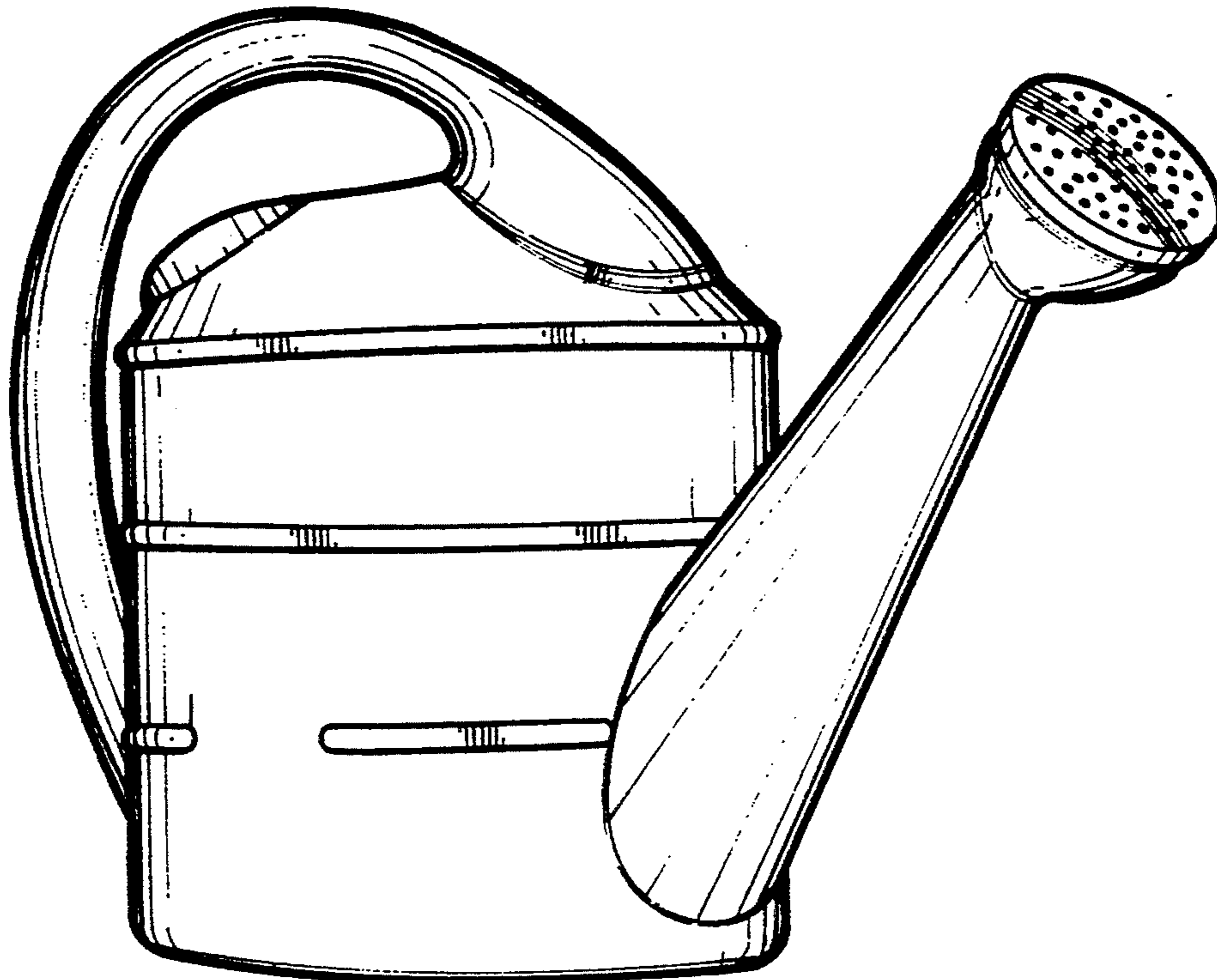
DESCRIPTION

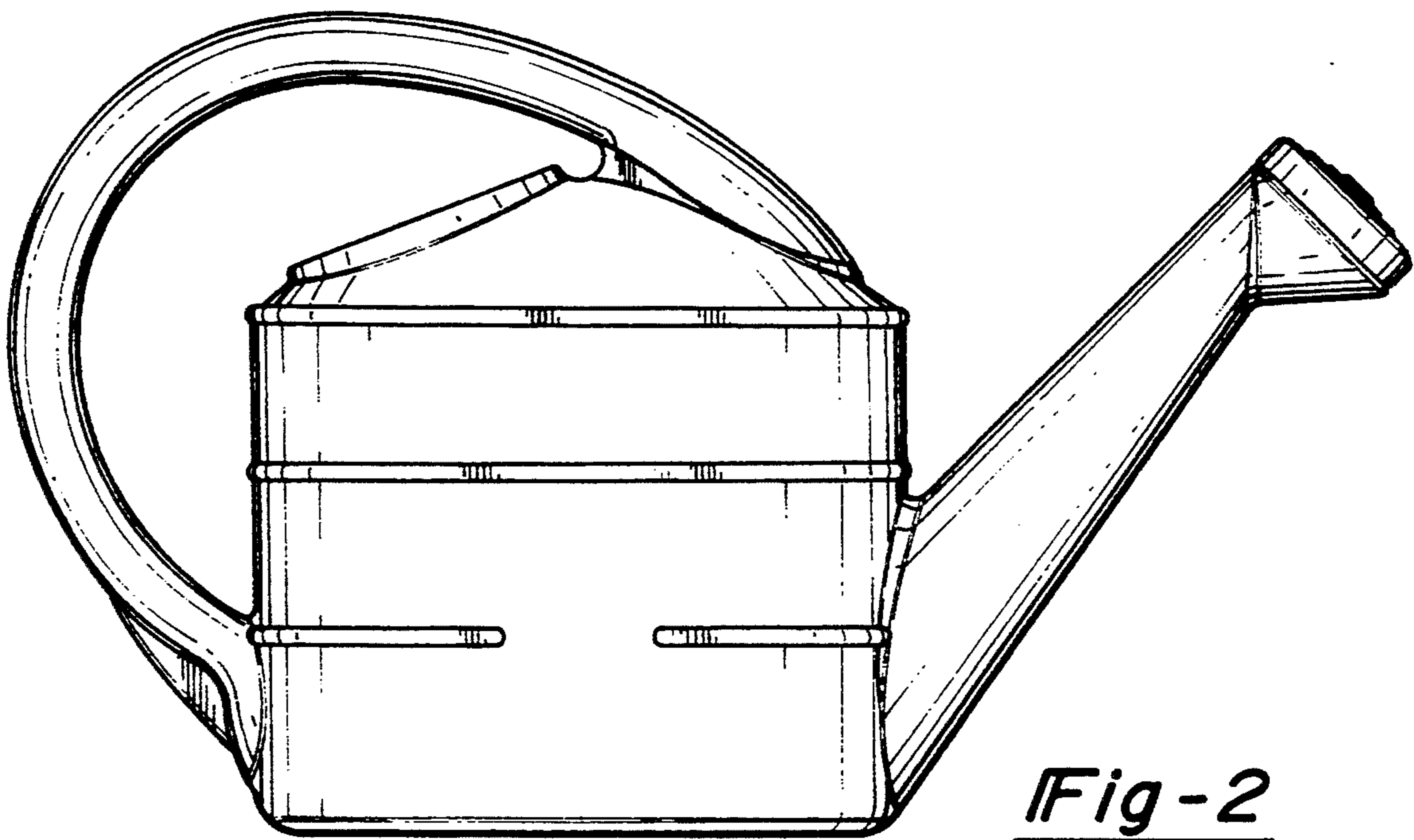
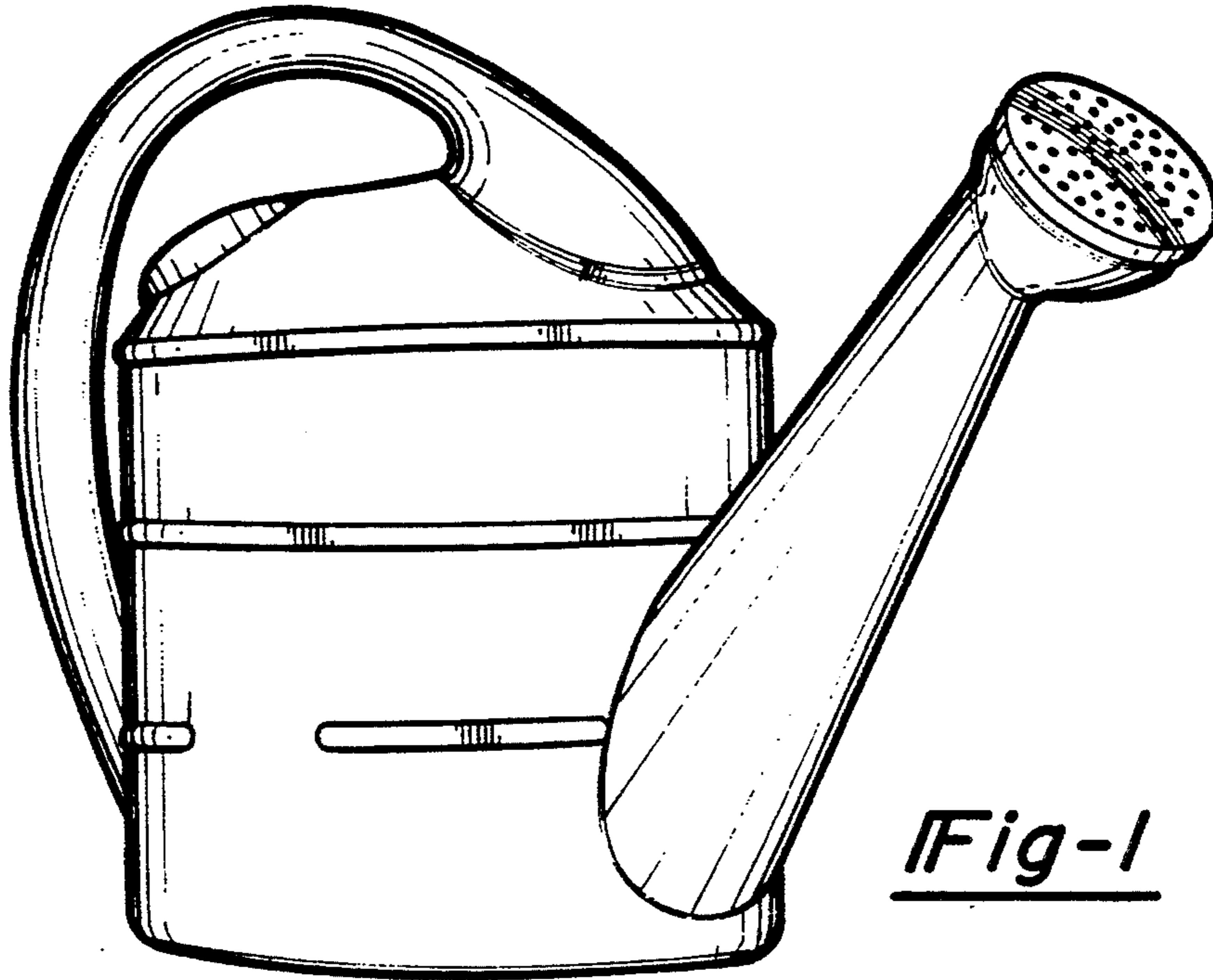
FIG. 1 is a top right front perspective view of a watering can showing my new design;
FIG. 2 is a front elevational view thereof;
FIG. 3 is a right side elevational view thereof;
FIG. 4 is a left side elevational rear elevational view thereof;
FIG. 5 is a top plan view thereof; and,
FIG. 6 is a bottom plan view thereof.

[56] References Cited

U.S. PATENT DOCUMENTS

D. 158,914	6/1950	Tompkins	D23/212
D. 175,084	7/1955	Locke	D23/212
D. 241,032	8/1976	Burke et al.	D23/212
D. 241,248	8/1976	Burke et al.	D23/212





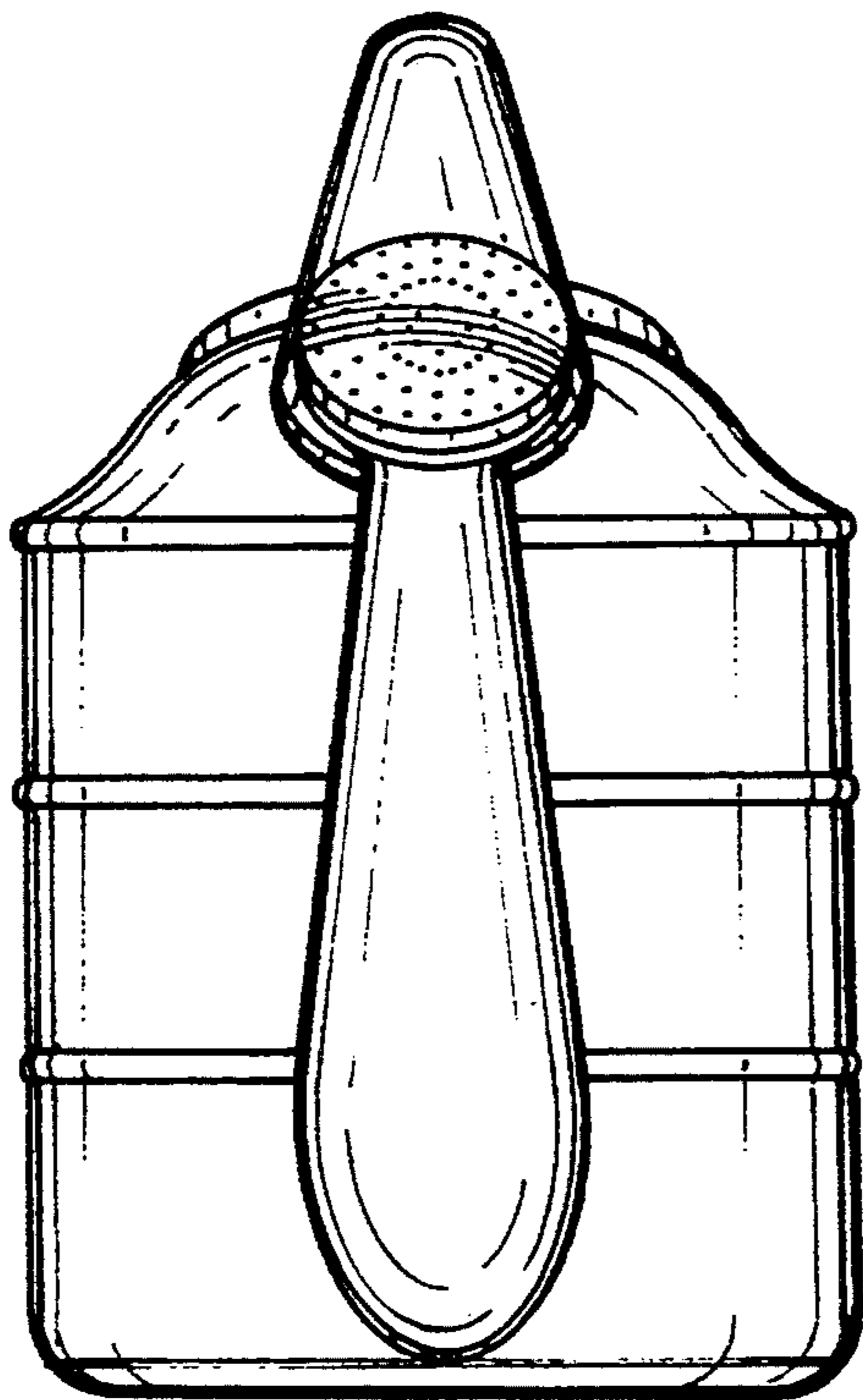


Fig-3

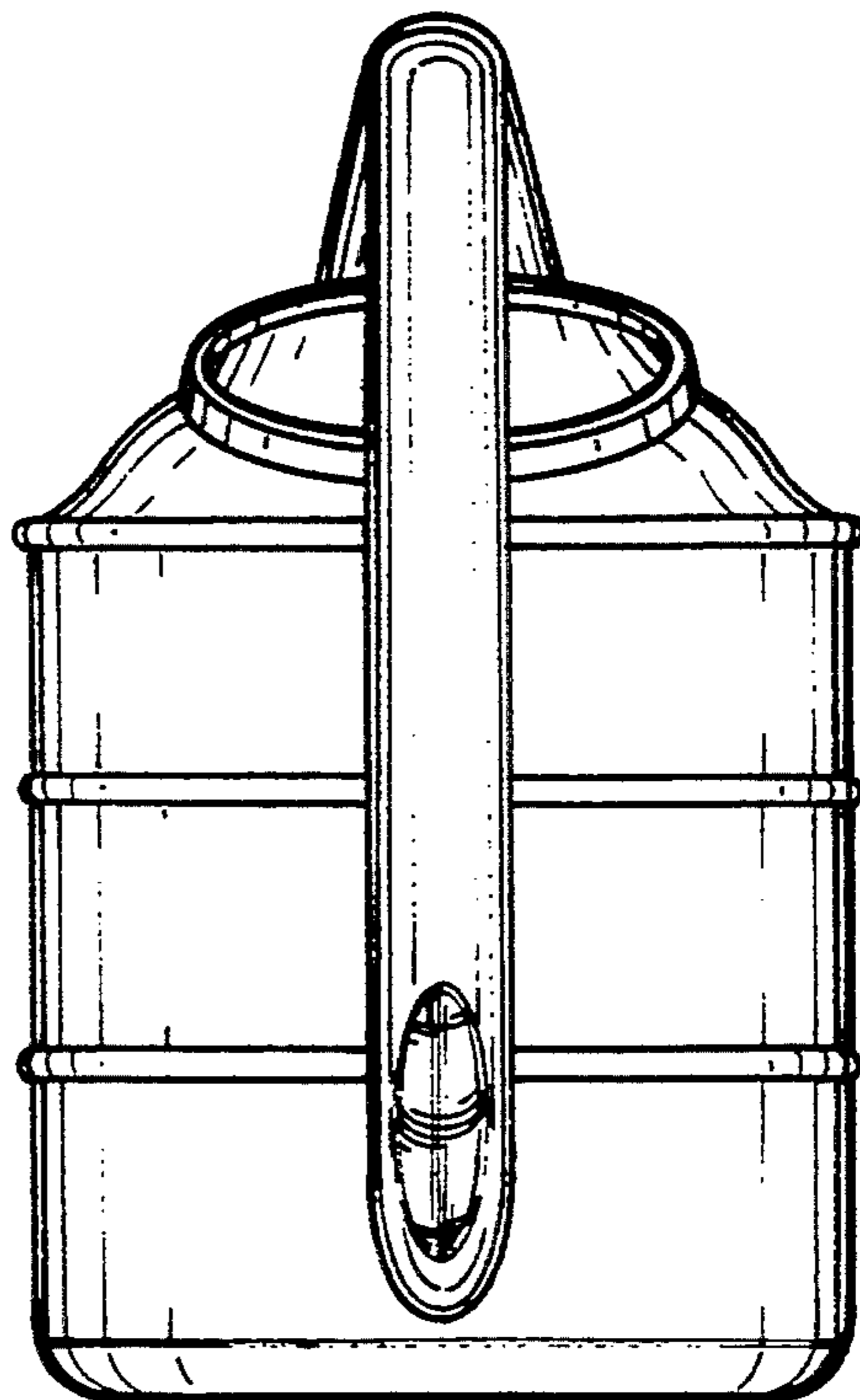


Fig-4

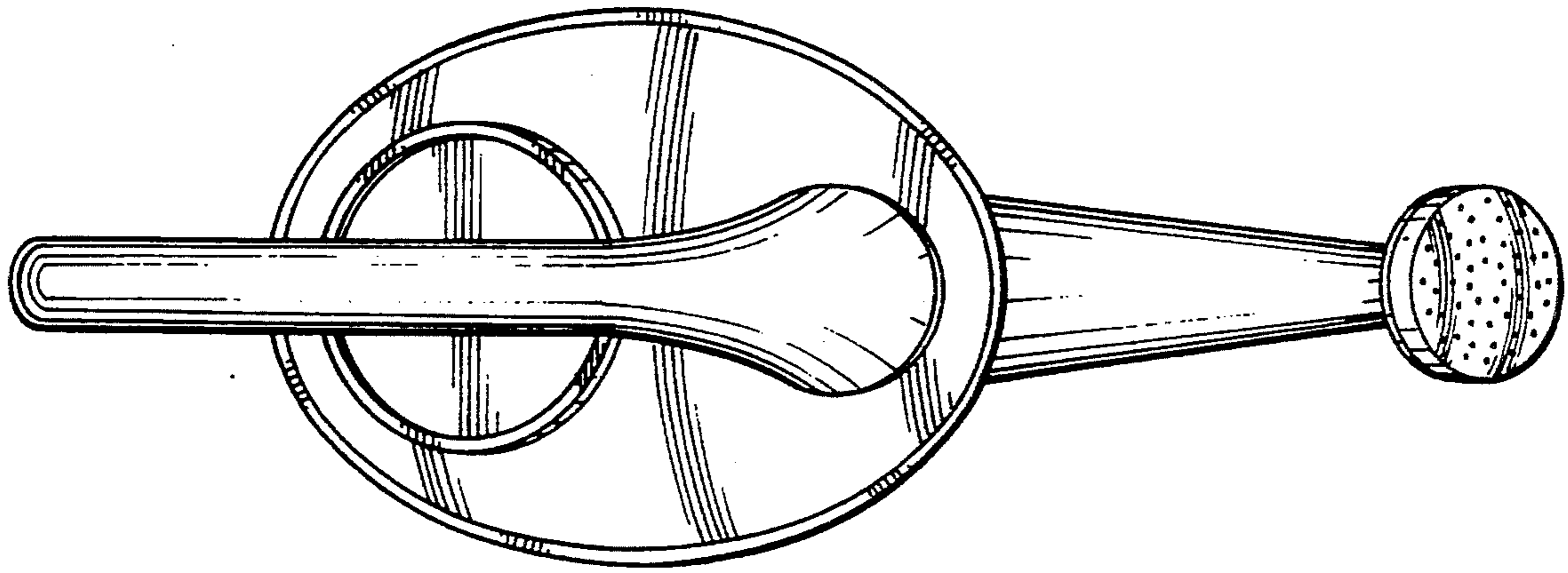


Fig-5

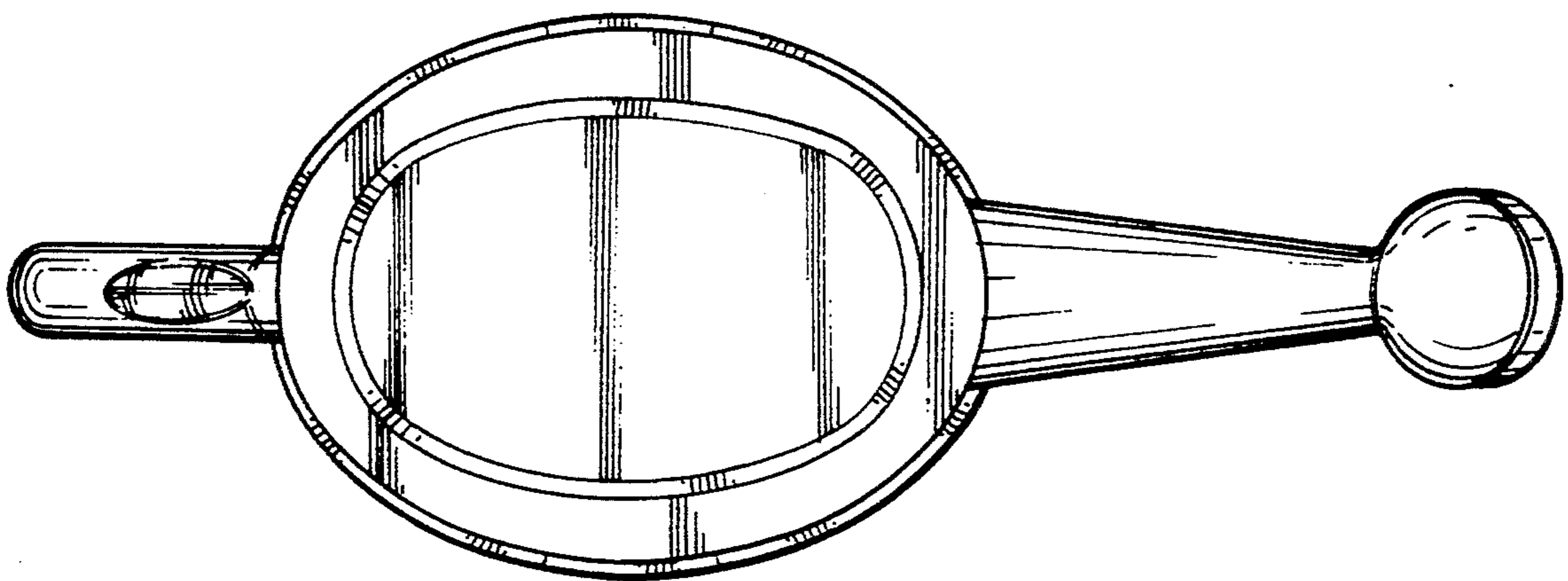


Fig-6