



US00D357728S

United States Patent [19]

[11] Patent Number: **Des. 357,728**

Carano

[45] Date of Patent: **** Apr. 25, 1995**

[54] **LIQUID TRANSFER UNIT**

[75] Inventor: **Leo J. Carano, Cayucos, Calif.**

[73] Assignee: **One More Time, Inc., Los Angeles, Calif.**

[**] Term: **14 Years**

[21] Appl. No.: **7,614**

[22] Filed: **Apr. 27, 1993**

[52] U.S. Cl. **D23/200**

[58] Field of Search **D23/200, 230-232; 239/146, 127, 15, 172, 706, 372, 373, 305, 532**

[56] **References Cited**

U.S. PATENT DOCUMENTS

3,940,065	2/1976	Ware et al.	239/146
4,848,659	7/1989	Tadyck	239/146
5,064,123	11/1991	Aiello et al.	239/146

Primary Examiner—Wallace R. Burke

Assistant Examiner—Melody Brown

Attorney, Agent, or Firm—Fulwider Patton Lee & Utecht

[57] **CLAIM**

The ornamental design for a liquid transfer unit, as shown and described.

DESCRIPTION

FIG. 1 is a perspective view of a liquid transfer unit embodying my new design;

FIG. 2 is a rear elevational view of the liquid transfer unit shown in FIG. 1 on a reduced scale;

FIG. 3 is a left side elevational view of the liquid transfer unit shown in FIG. 1 on a reduced scale;

FIG. 4 is a top view of the liquid transfer unit shown in FIG. 1 on a reduced scale;

FIG. 5 is a front elevational view of the liquid transfer unit shown in FIG. 1 on a reduced scale;

FIG. 6 is a right side elevational view of the liquid transfer unit shown in FIG. 1 on a reduced scale; and,

FIG. 7 is a bottom view of the liquid transfer unit shown in FIG. 1 on a reduced scale.

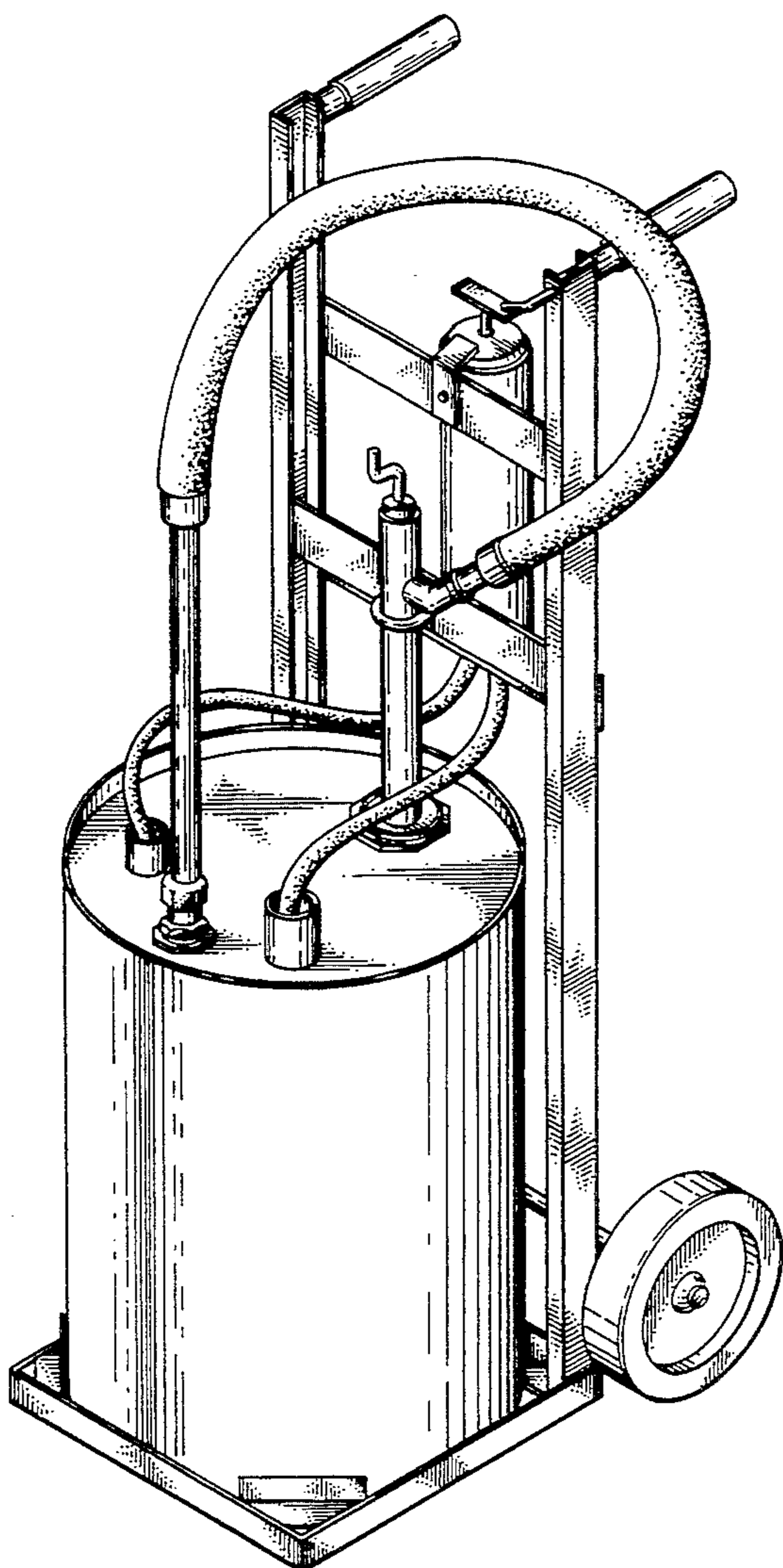
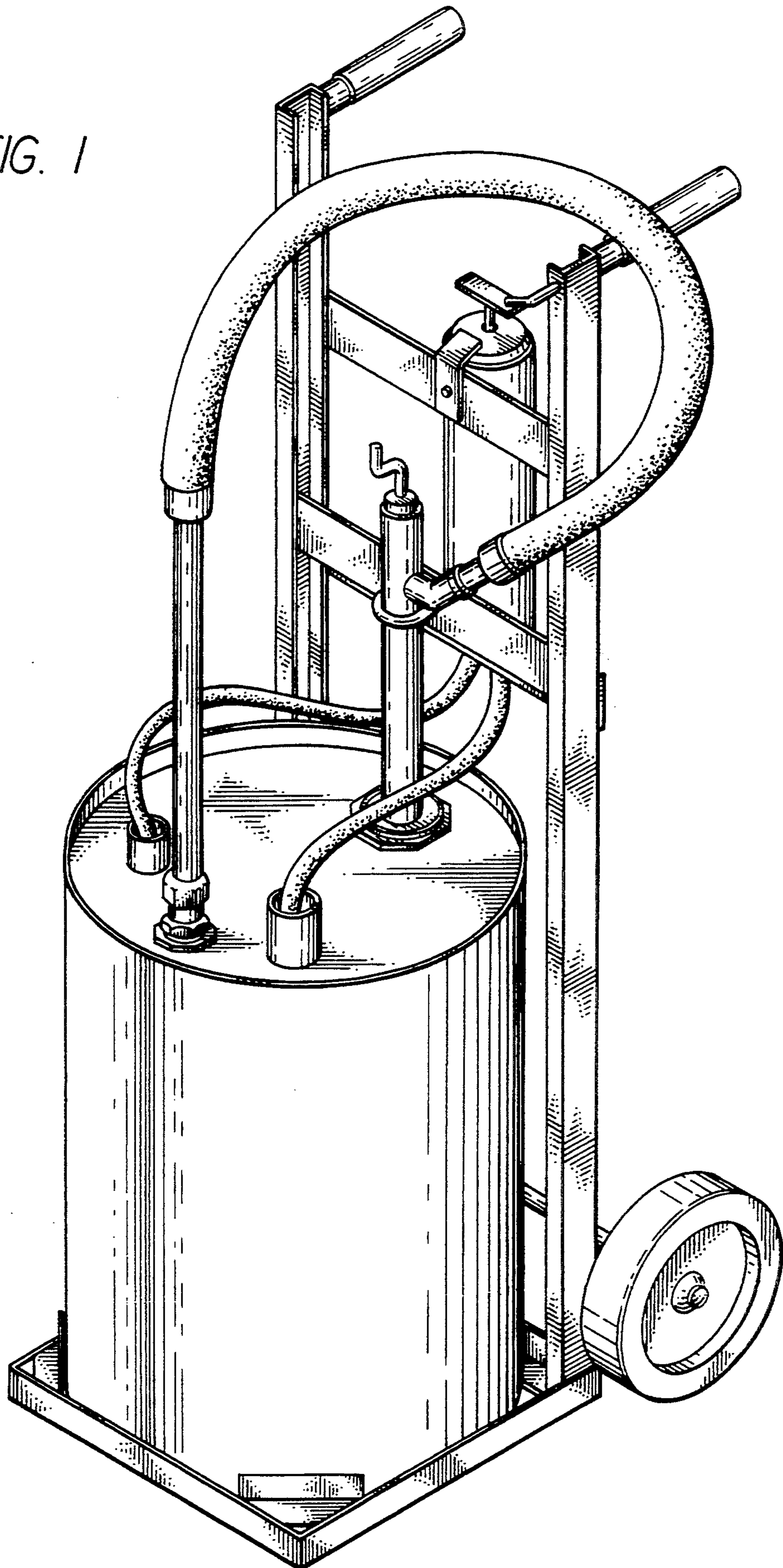


FIG. 1



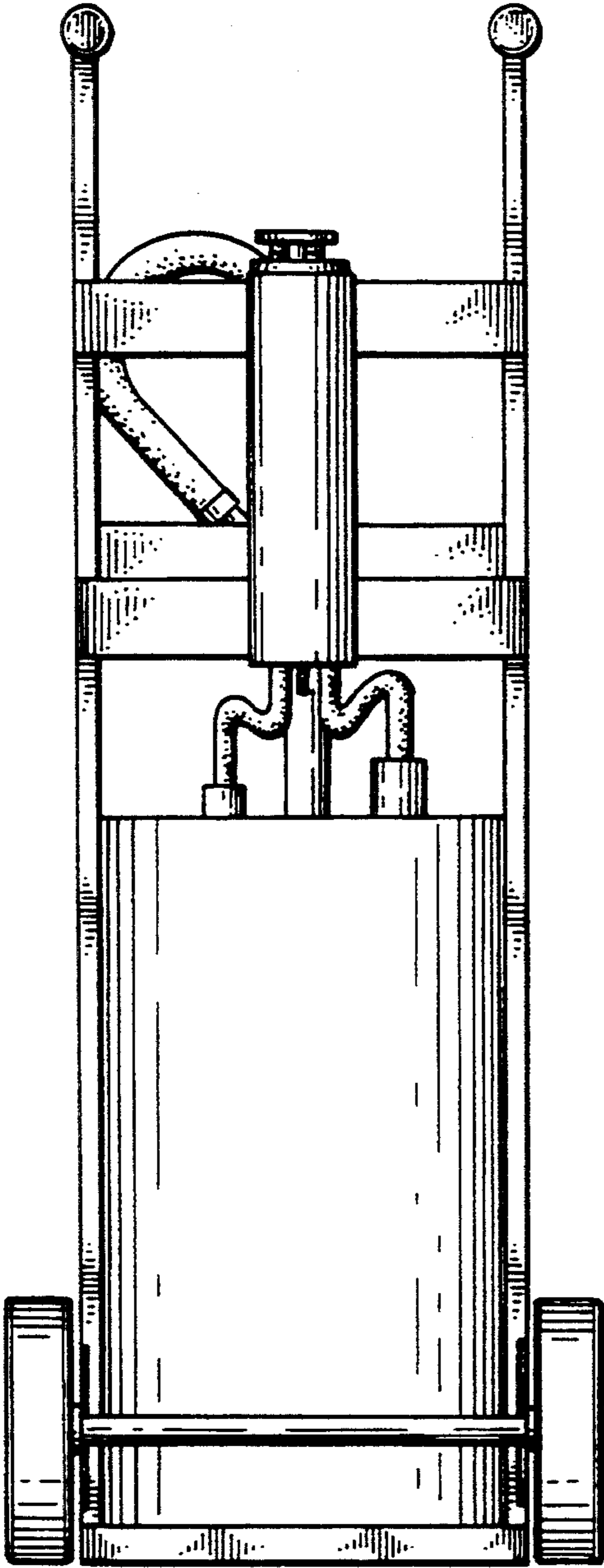


FIG. 2

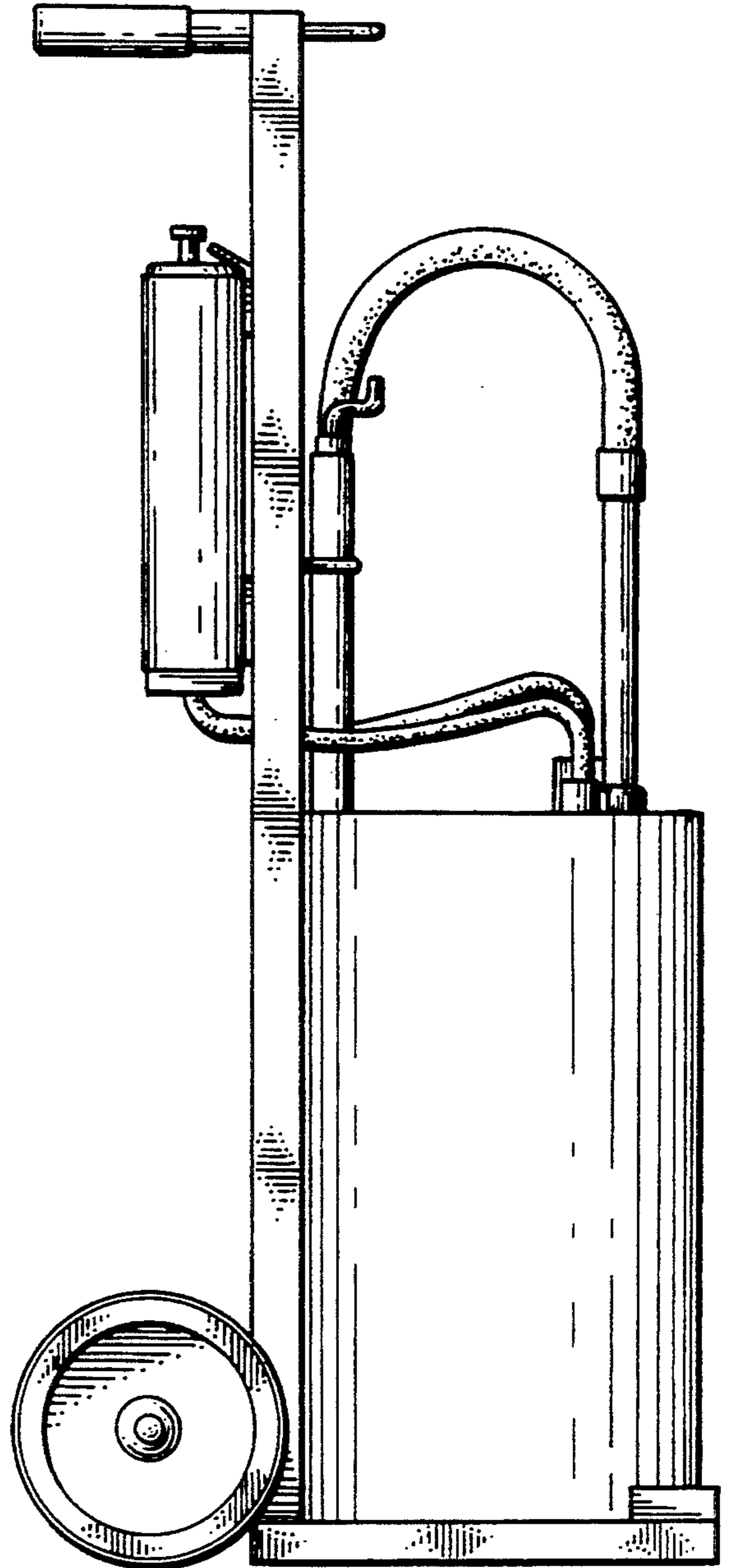


FIG. 3

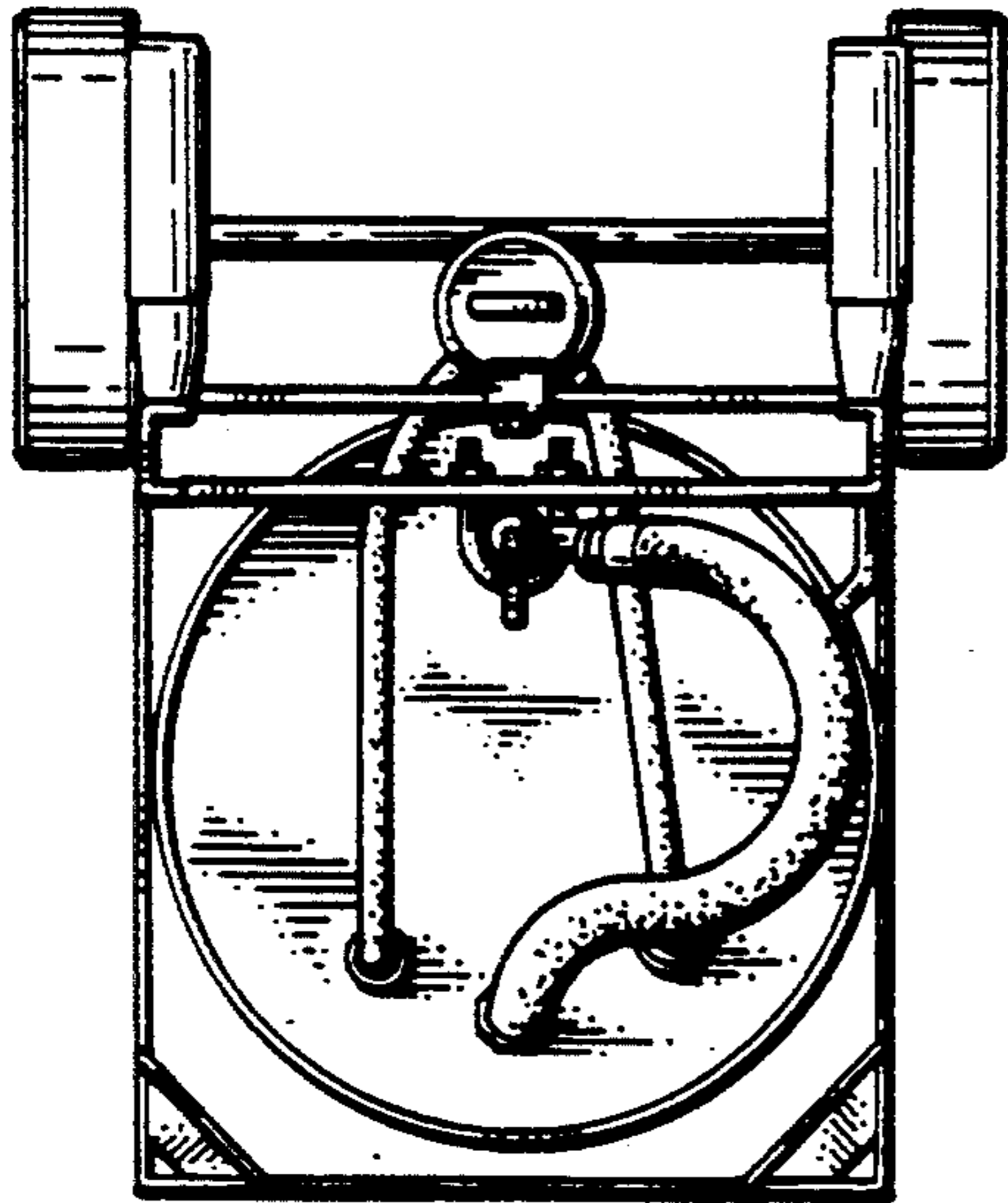


FIG. 4

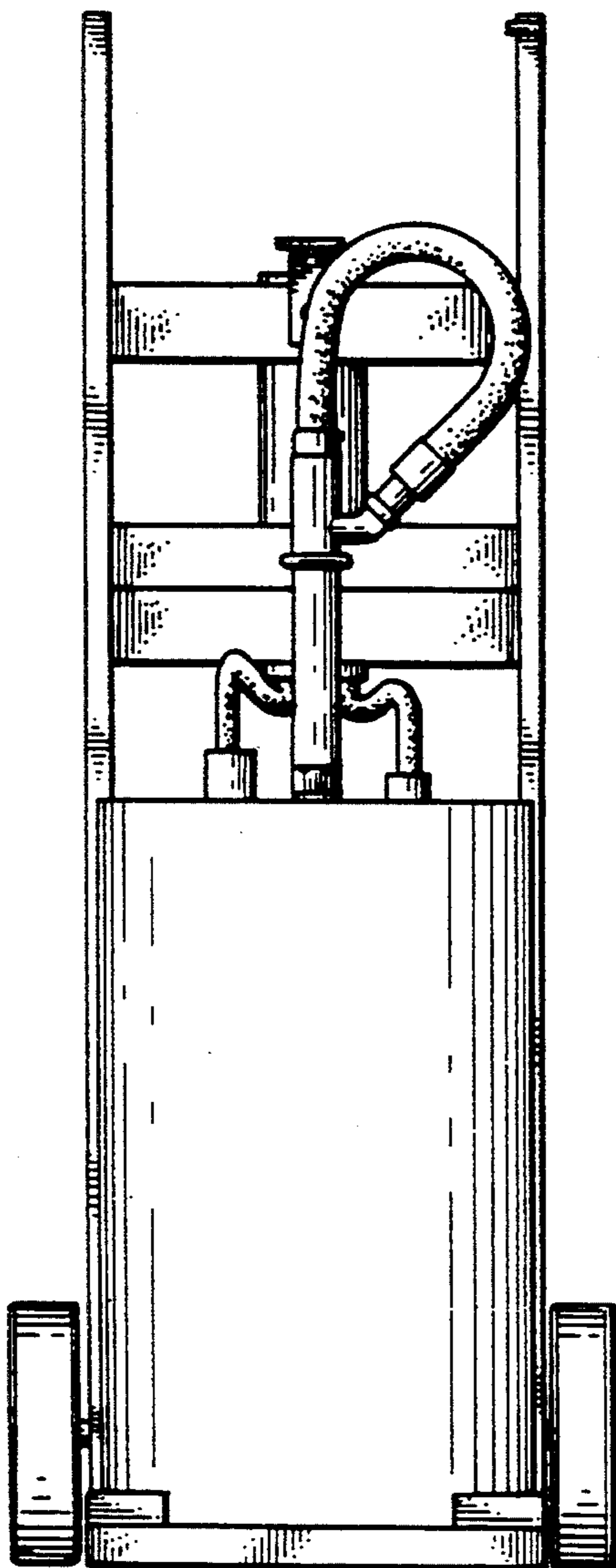


FIG. 5

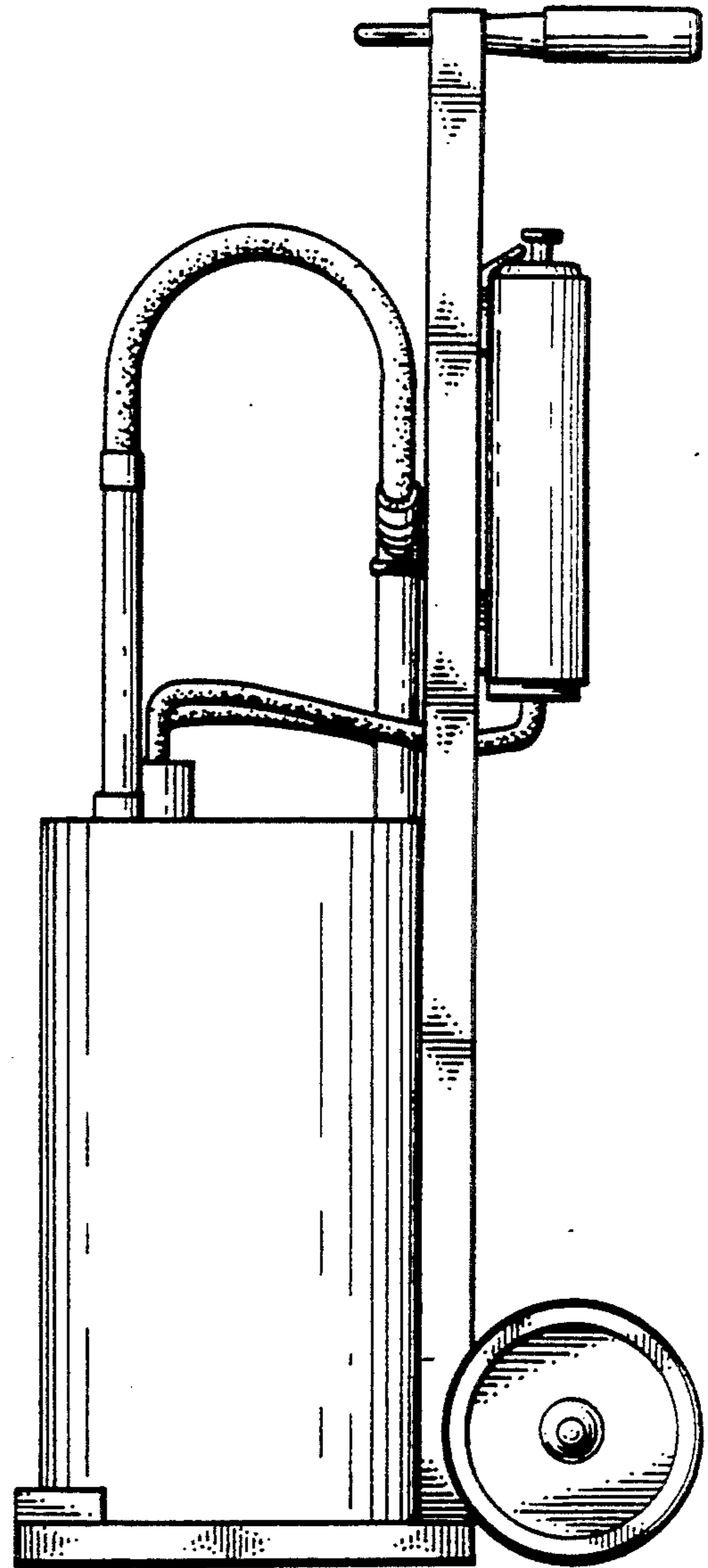


FIG. 6

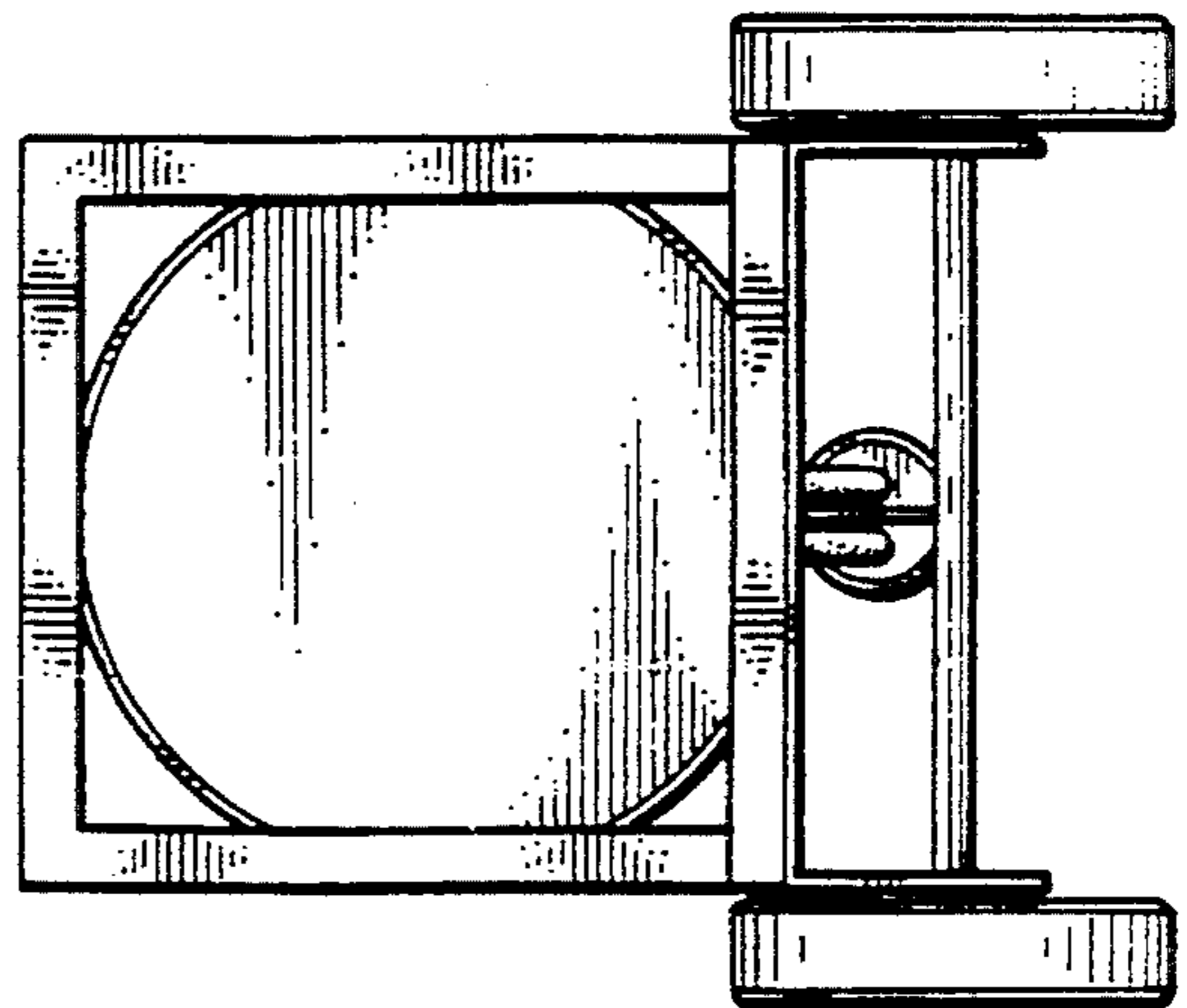


FIG. 7