



US00D357721S

United States Patent [19]

[11] Patent Number: **Des. 357,721**

Barrett et al.

[45] Date of Patent: **** Apr. 25, 1995**

[54] **COVER FOR A PEDESTAL MOUNTED BOWLING SCORER**

D. 166,618	4/1952	Mince	D6/610
D. 240,882	8/1976	Knight	D6/610
3,433,479	3/1969	Huck et al.	473/71
4,136,870	1/1979	Kinser	473/67

[75] Inventors: **Sean O. Barrett**, Grayslake; **William C. Cesaroni**, Glenview, both of Ill.; **Michael F. Stirling**; **Michael J. Katje**, both of Spring Lake, Mich.

Primary Examiner—Prabhakar Deshmukh
Attorney, Agent, or Firm—Wood, Phillips, VanSanten, Clark & Mortimer

[73] Assignee: **Brunswick Bowling & Billiards Corporation**, Muskegon, Mich.

[57] **CLAIM**

[**] Term: **14 Years**

The ornamental design of a cover for a pedestal mounted bowling scorer, as shown and described.

[21] Appl. No.: **12,071**

DESCRIPTION

[22] Filed: **Aug. 20, 1993**

[52] U.S. Cl. **D21/233**; D10/46.1

[58] Field of Search D10/46.1; D21/233; 473/54, 55, 67, 70, 71, 115; 116/222-225; 206/521.2, 592, 594; D6/397, 419, 420, 610, 486, 495

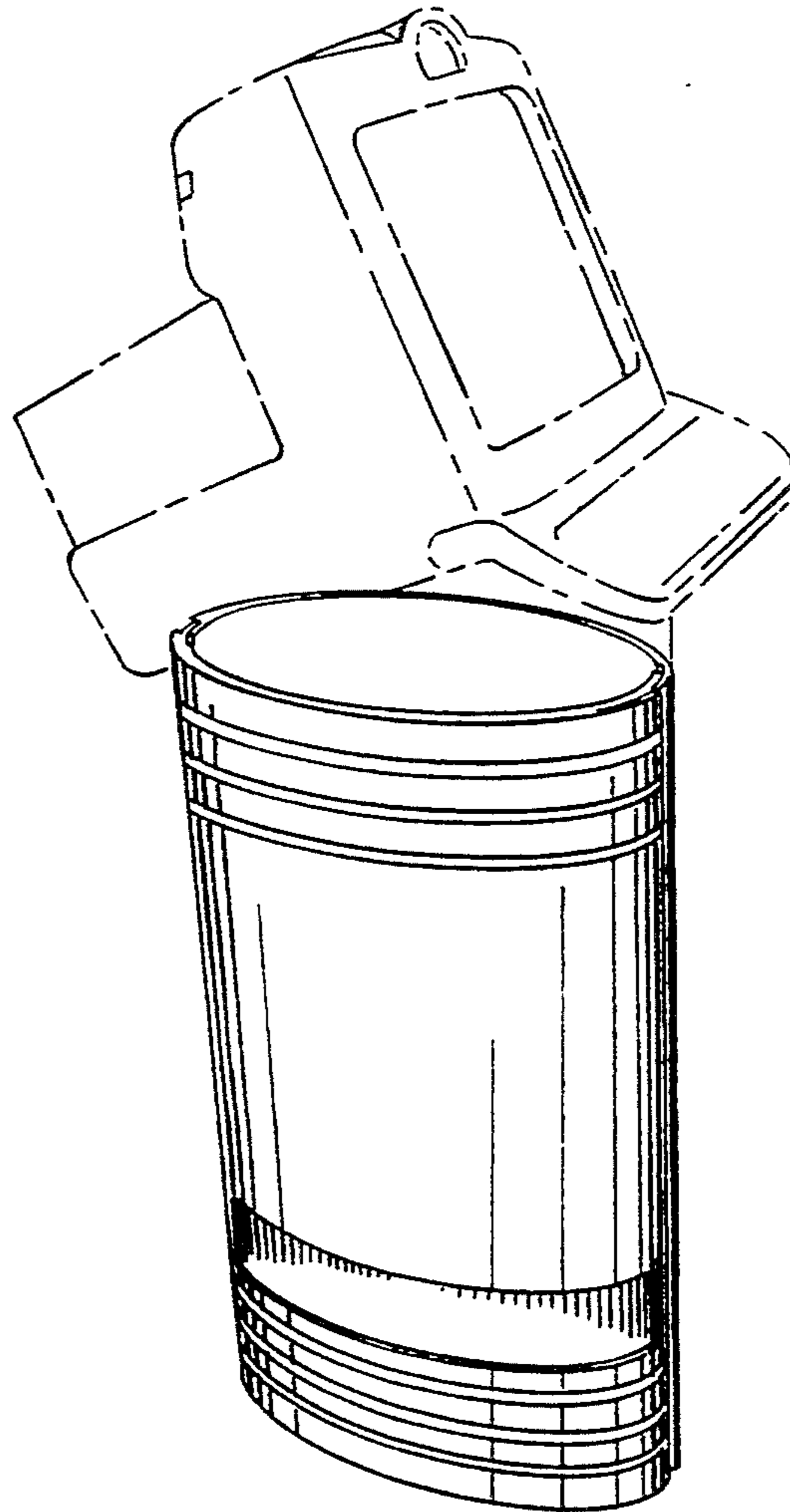
FIG. 1 is a perspective view of a cover for a pedestal mounted bowling scorer showing our new design; FIG. 2 is a right side view of the cover of FIG. 1; FIG. 3 is a front view of the cover of FIG. 1; FIG. 4 is a top view of the cover of FIG. 1; FIG. 5 is a back view of the cover of FIG. 1; FIG. 6 is a left side view of the cover of FIG. 1; and, FIG. 7 is a bottom view of the cover of FIG. 1.

[56] **References Cited**

U.S. PATENT DOCUMENTS

D. 108,317	2/1938	Buchalter	D6/610
D. 161,724	1/1951	Anderson et al.	D21/233 X

The broken line showing of a bowling scorer is for illustrative purposes only and forms no part of the claim.



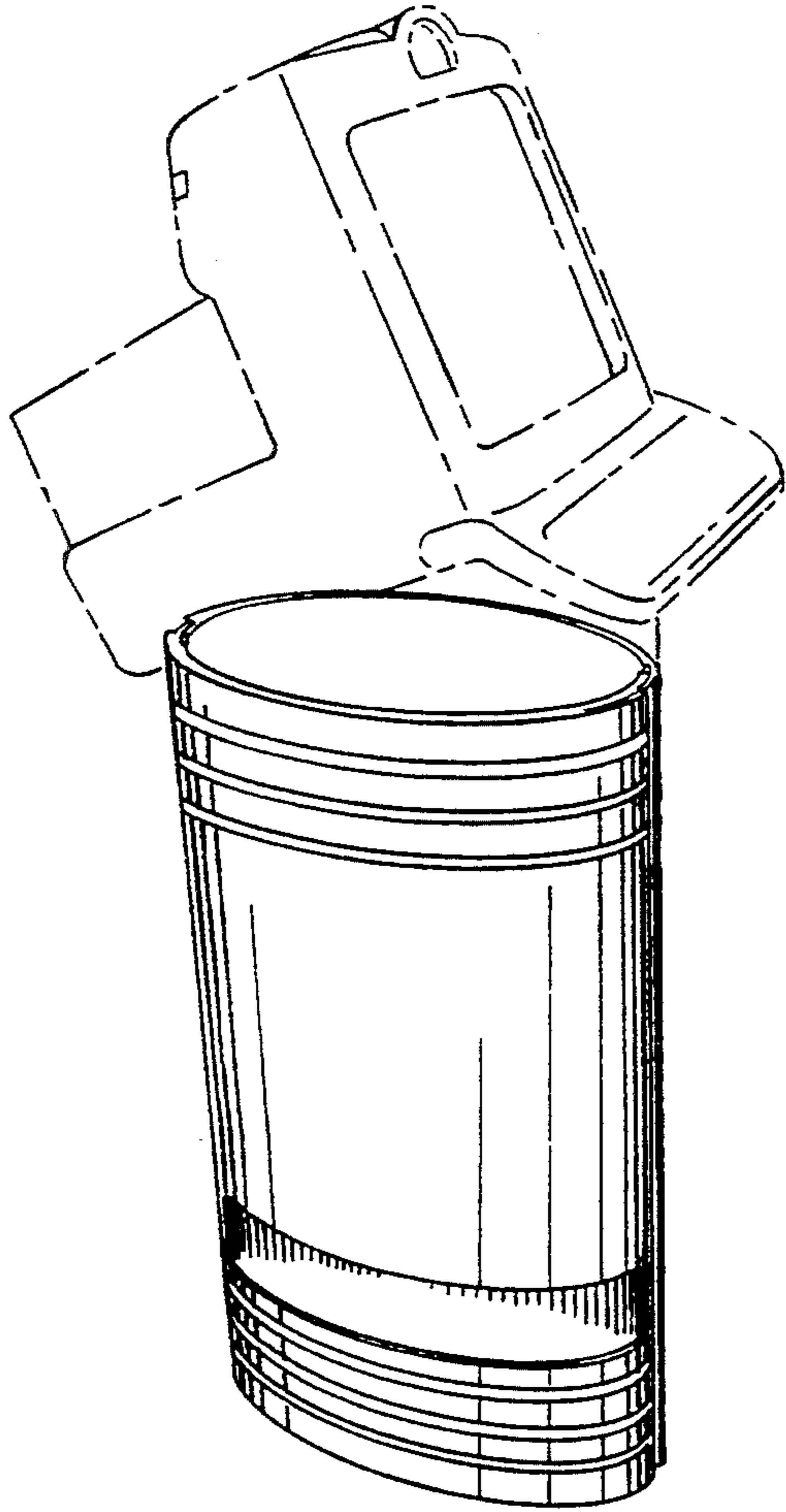


FIG. 1

FIG. 2

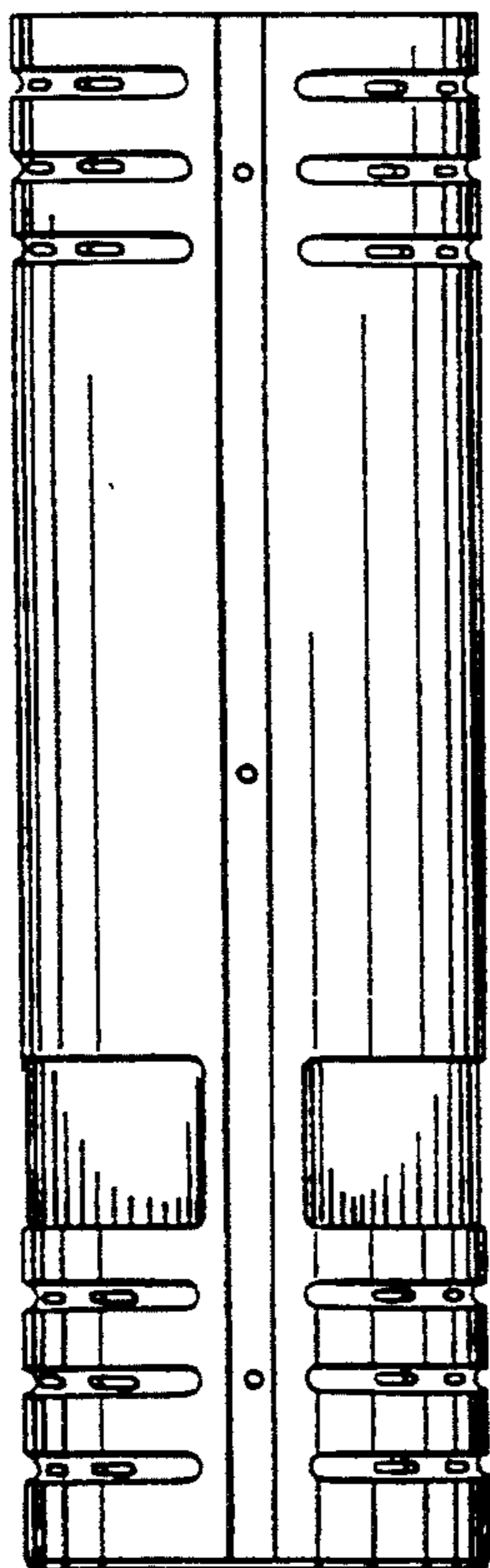
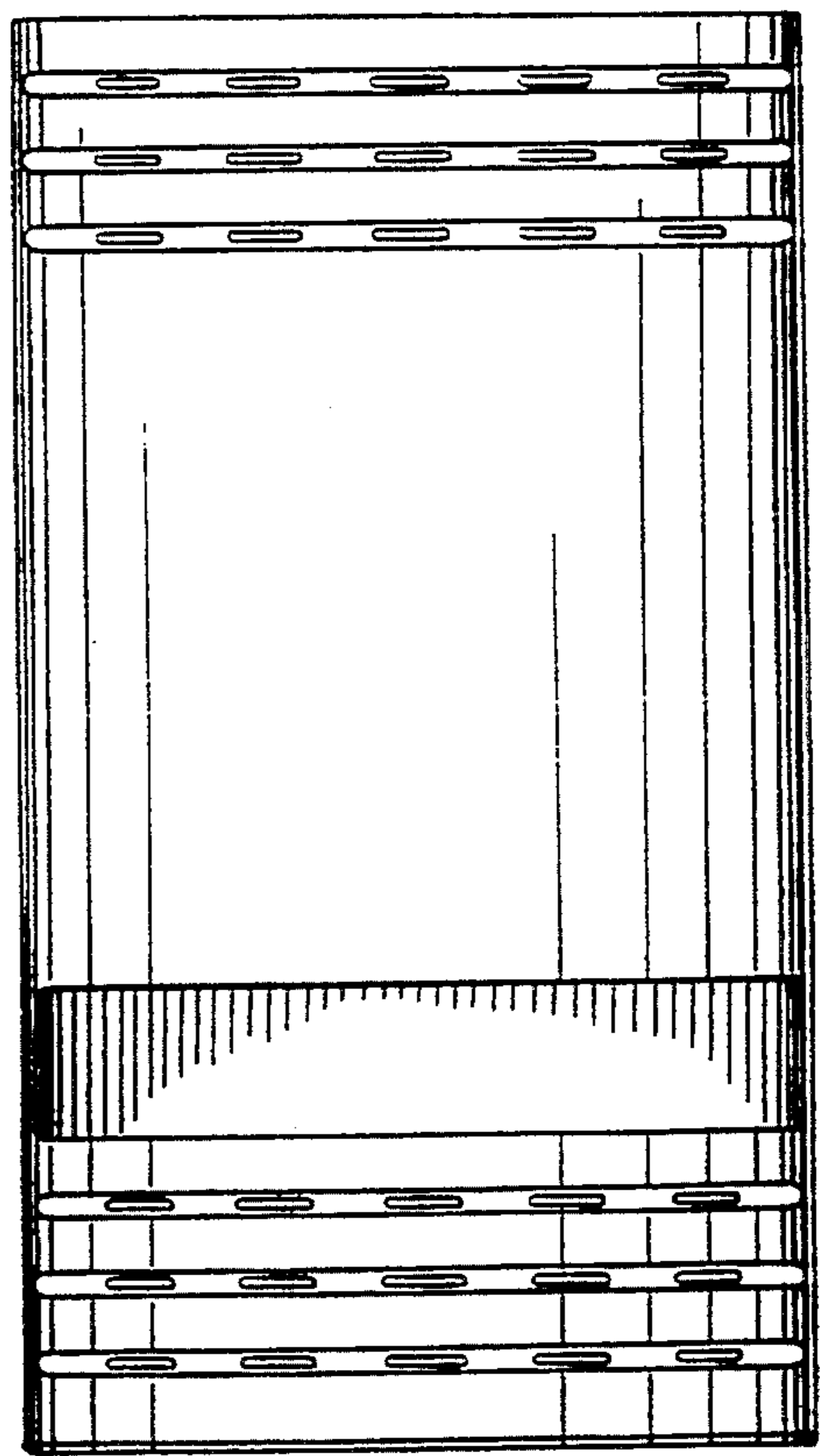


FIG. 3

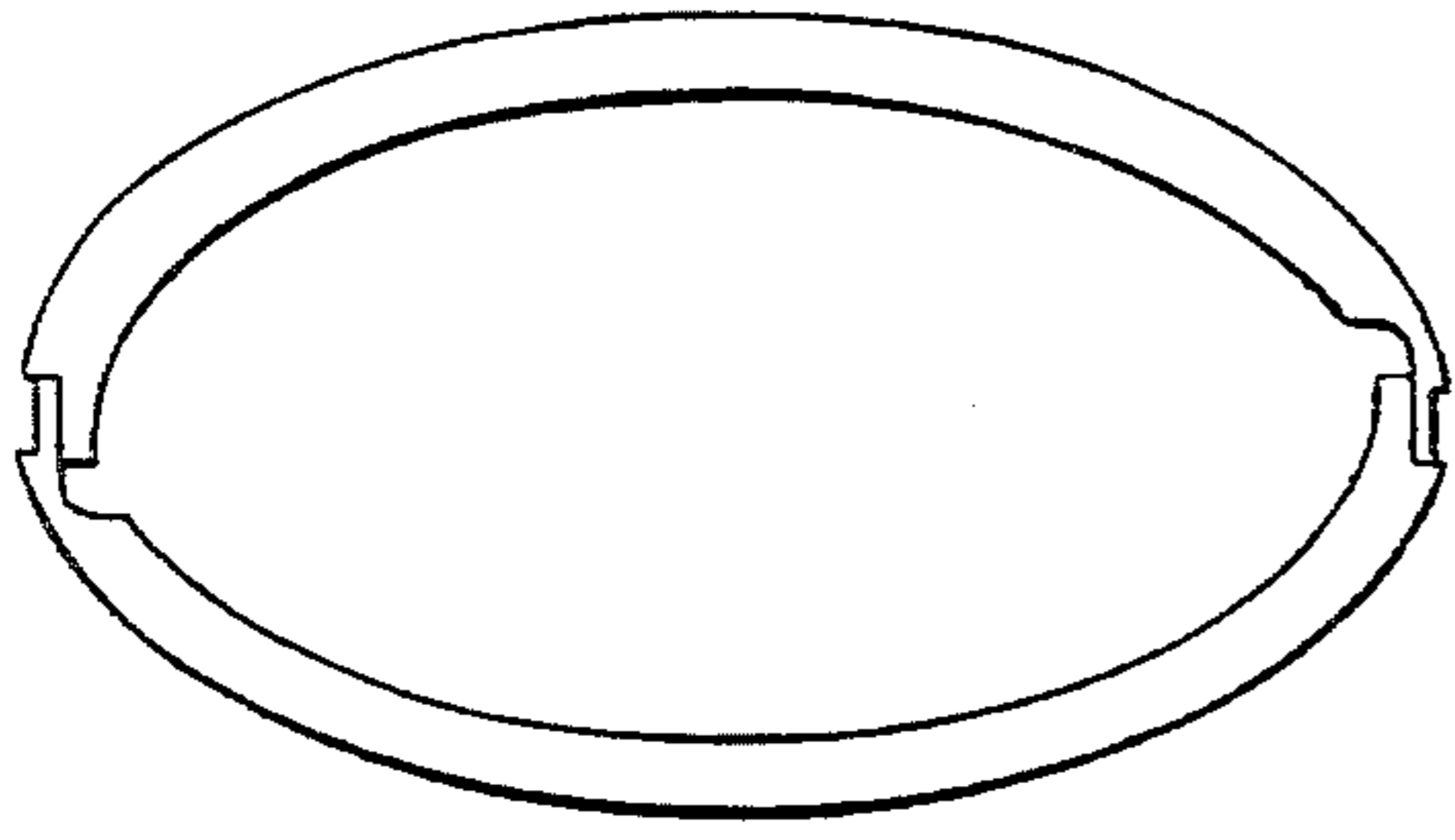


FIG. 4

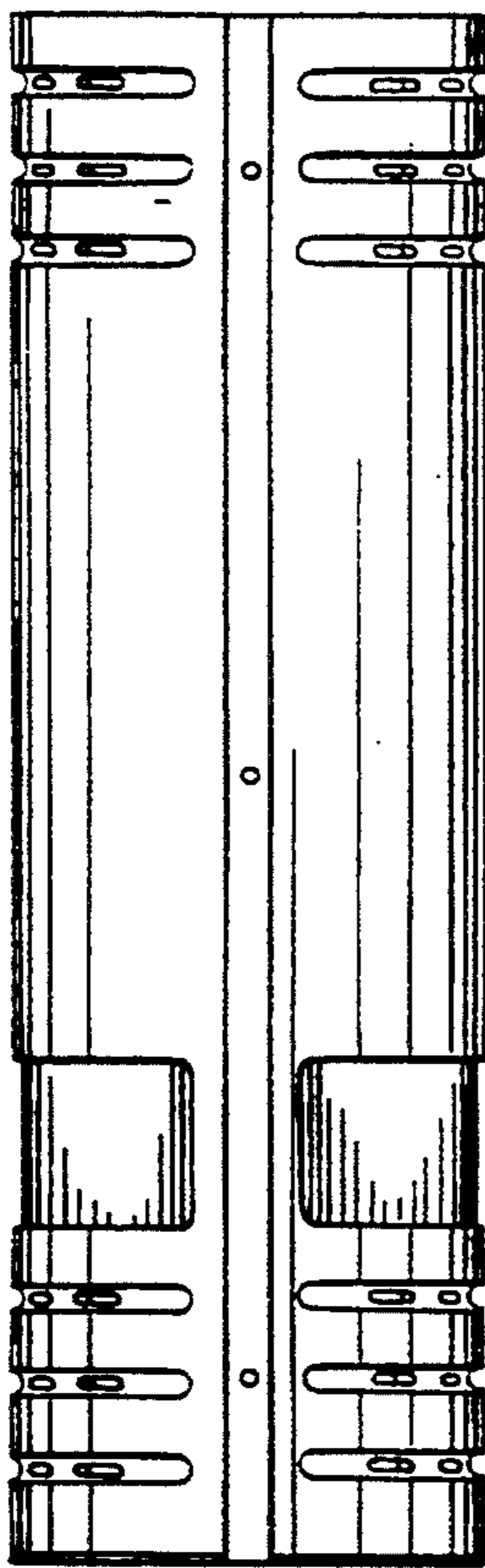


FIG. 5

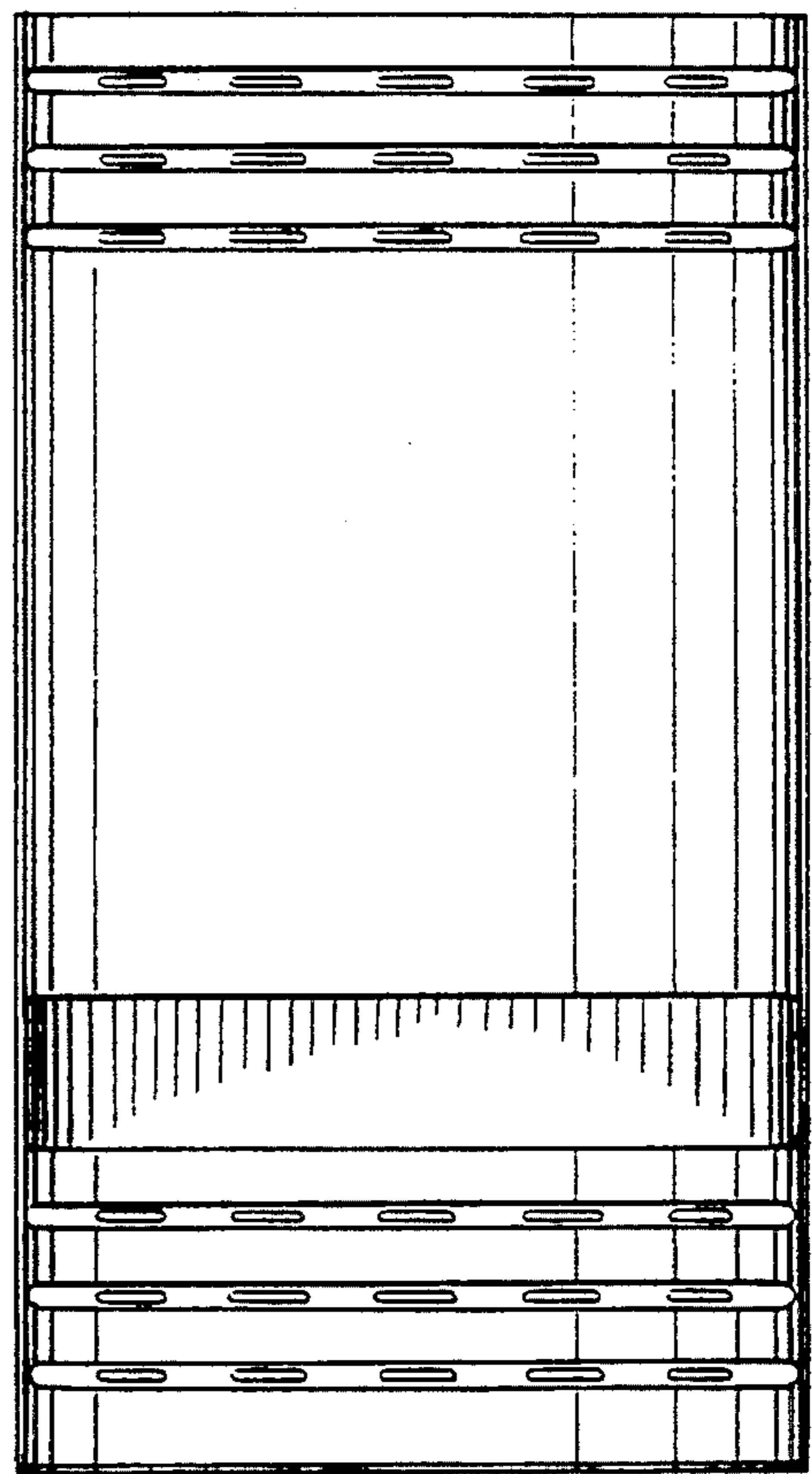


FIG. 6

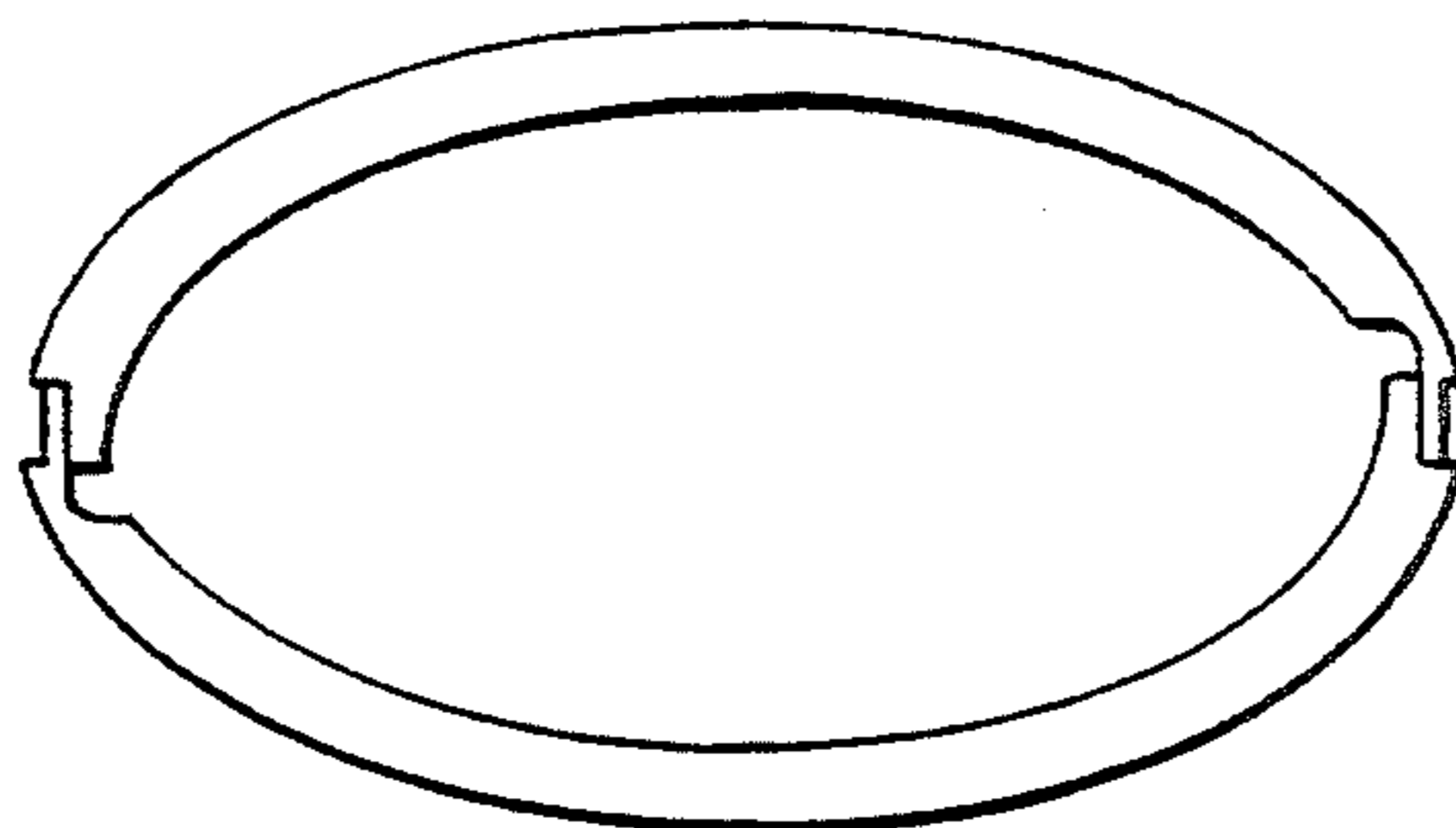


FIG. 7