



US00D357718S

United States Patent [19]

[11] Patent Number: **Des. 357,718**

Nielsen et al.

[45] Date of Patent: **** Apr. 25, 1995**

[54] ARMCHAIR FOR A TOY BUILDING SET

[75] Inventors: **Henrik K. Nielsen**, Copenhagen S;
Synnøve Vataker, Søborg, both of
Denmark

[73] Assignee: **Interlego AG**, Baar, Switzerland

[**] Term: **14 Years**

[21] Appl. No.: **13,266**

[22] Filed: **Sep. 22, 1993**

[52] U.S. Cl. **D21/123**

[58] Field of Search **D21/108, 109, 111, 114,
D21/121, 123; D6/480, 334, 381; D12/6;
446/107, 111, 116, 121, 125, 128, 141, 268, 296,
322, 323, 460, 479, 482, 490**

[56] **References Cited**

U.S. PATENT DOCUMENTS

| | | | | |
|------------|---------|----------|-------|---------|
| D. 51,659 | 1/1918 | Roberts | | D21/123 |
| D. 140,583 | 3/1945 | Brunetti | | D21/123 |
| D. 291,219 | 8/1987 | Ryaa | | D21/123 |
| D. 340,094 | 10/1993 | Houry | | D21/123 |
| 1,379,648 | 5/1921 | Niebel | | 446/482 |
| 1,660,119 | 2/1928 | Decker | | 446/482 |

FOREIGN PATENT DOCUMENTS

133178 5/1933 Germany 446/479

OTHER PUBLICATIONS

Fisher-Price Catalog, 1987 p. 64 Lower Left of Page--
Chair.

Constructive Playthings, 1992 p. 40 Right Side of
Page-Chair.

Primary Examiner—Terry A. Wallace

Assistant Examiner—R. Barkai

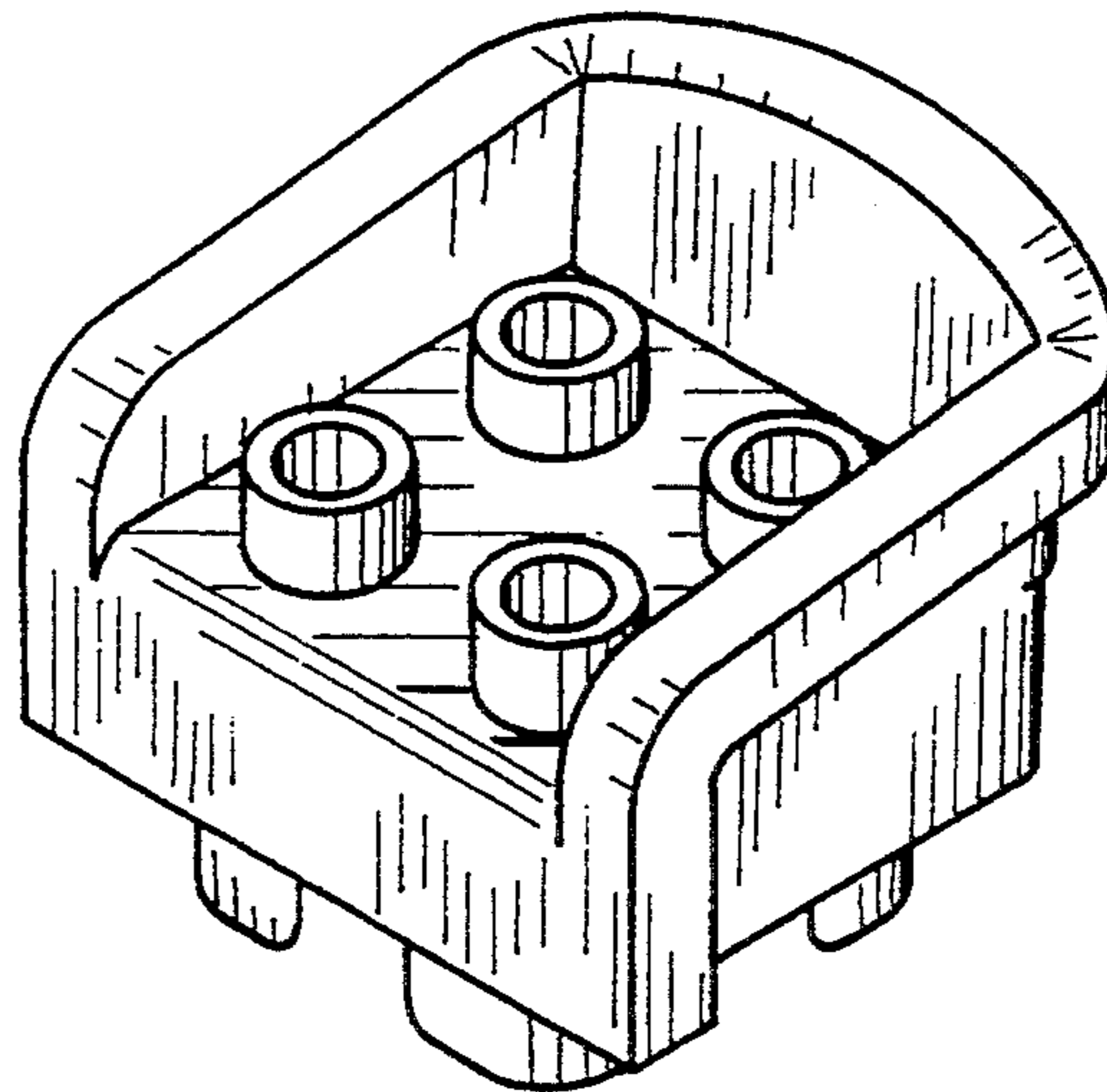
Attorney, Agent, or Firm—Kane, Dalsimer, Sullivan,
Kurucz, Levy, Eisele and Richard

[57] **CLAIM**

The ornamental design for an armchair for a toy build-
ing set, as shown and described.

DESCRIPTION

FIG. 1 is a top perspective view of the armchair for a
toy building set showing our new design;
FIG. 2 is a bottom perspective view thereof;
FIG. 3 is a right side elevational view thereof;
FIG. 4 is a front elevational view thereof;
FIG. 5 is a left side elevational view thereof;
FIG. 6 is a rear elevational view thereof;
FIG. 7 is a top plan view thereof; and,
FIG. 8 is a bottom plan view thereof.



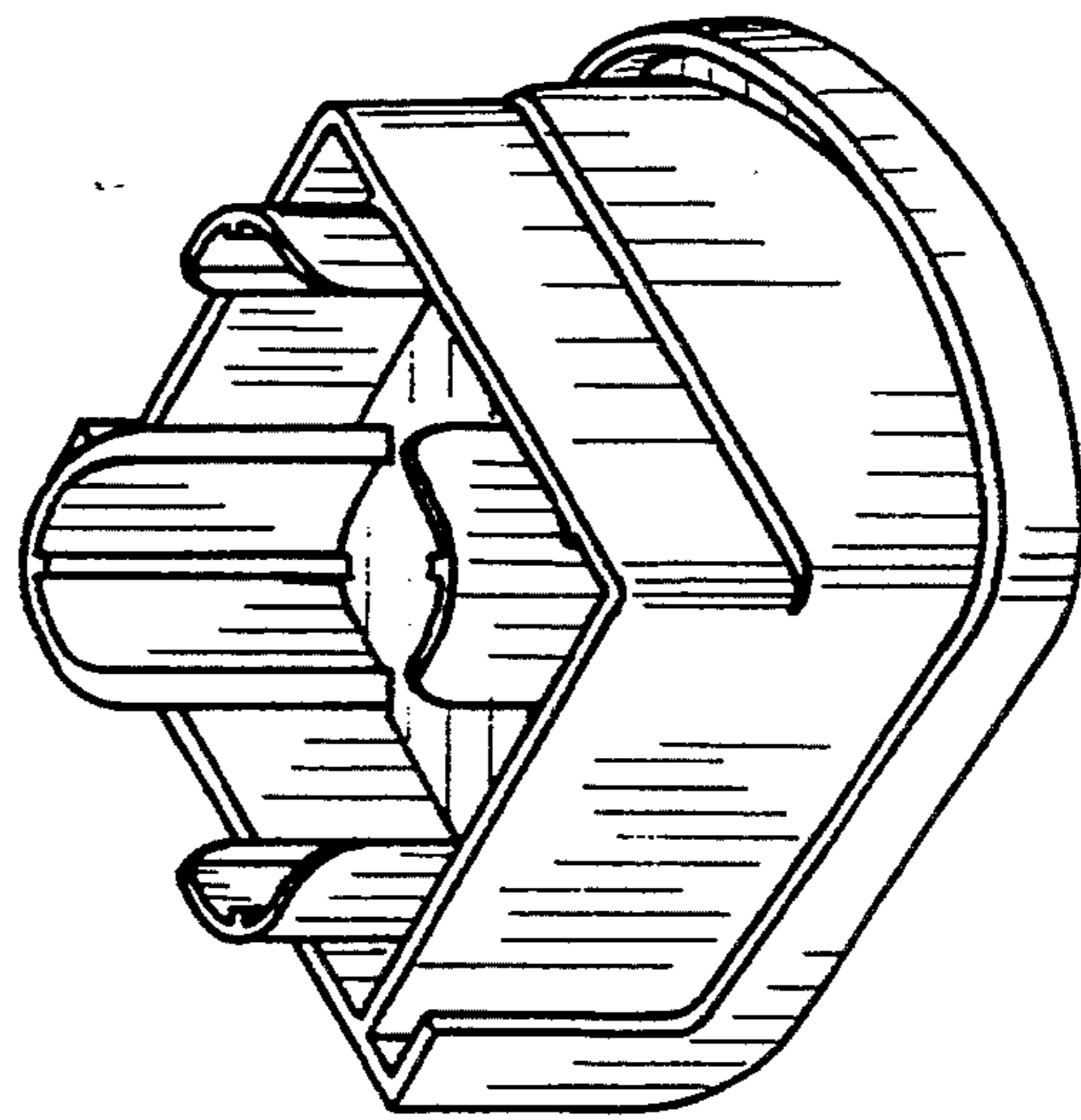


FIG. 2

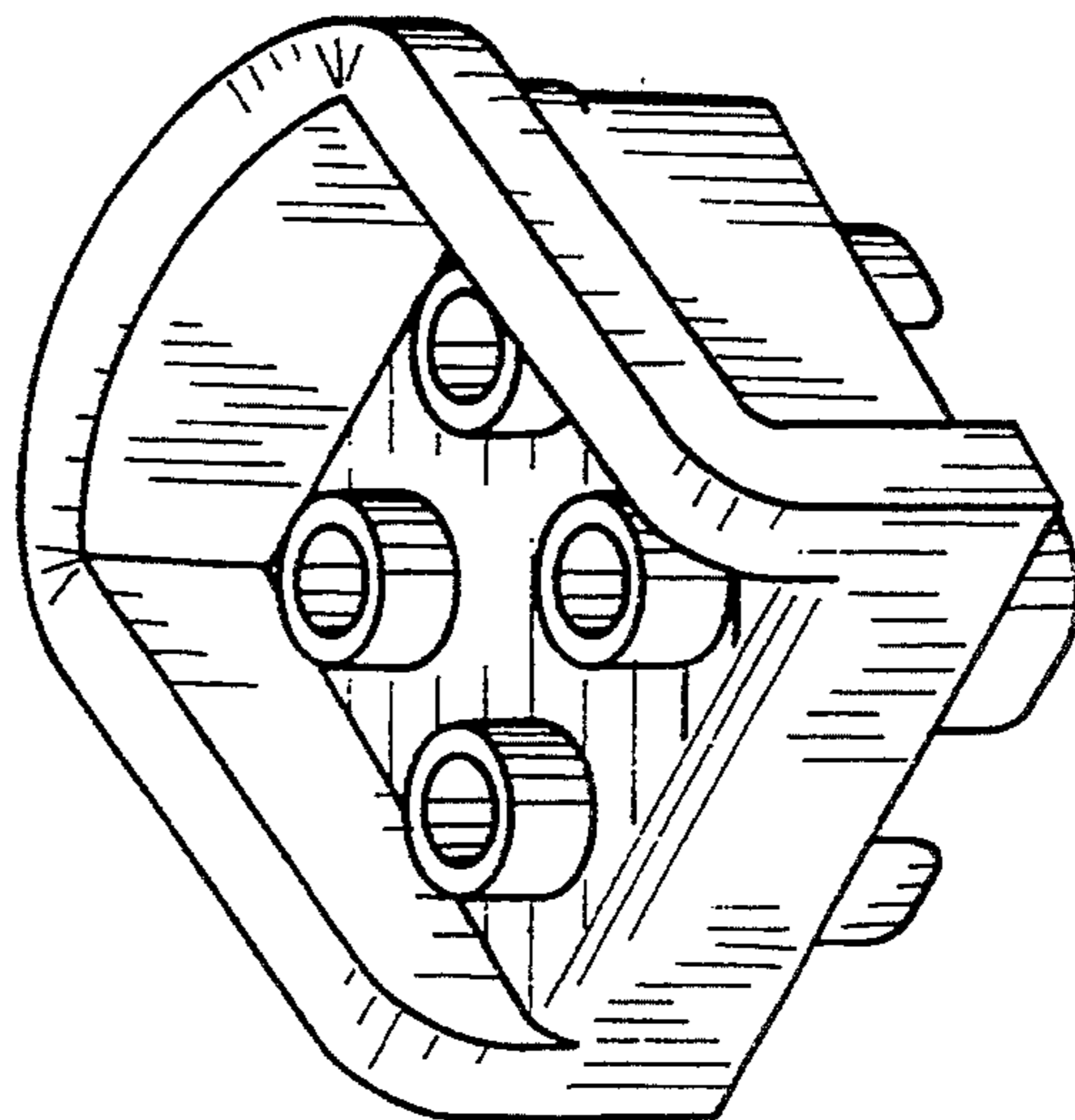


FIG. 1

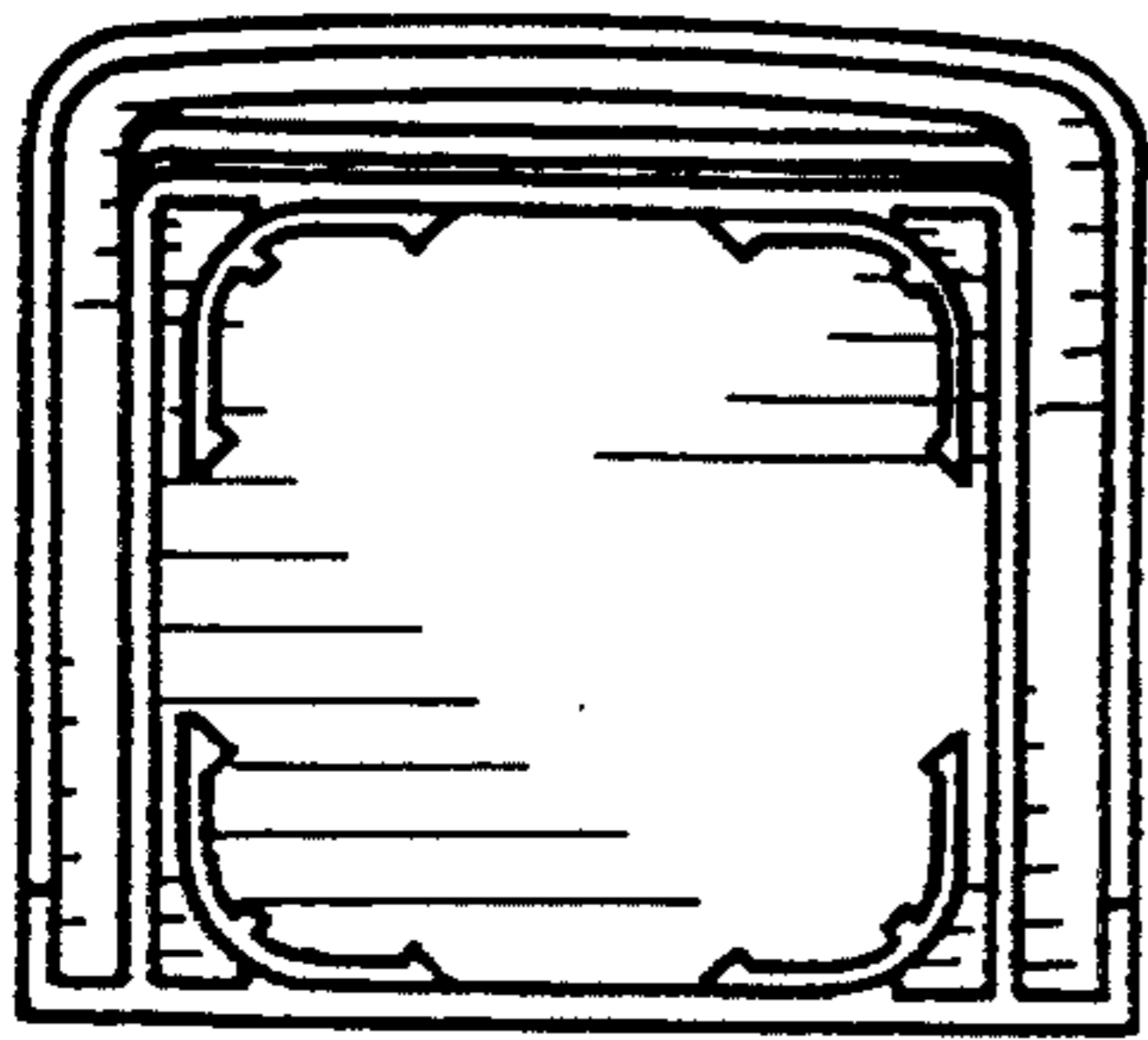


FIG. 8

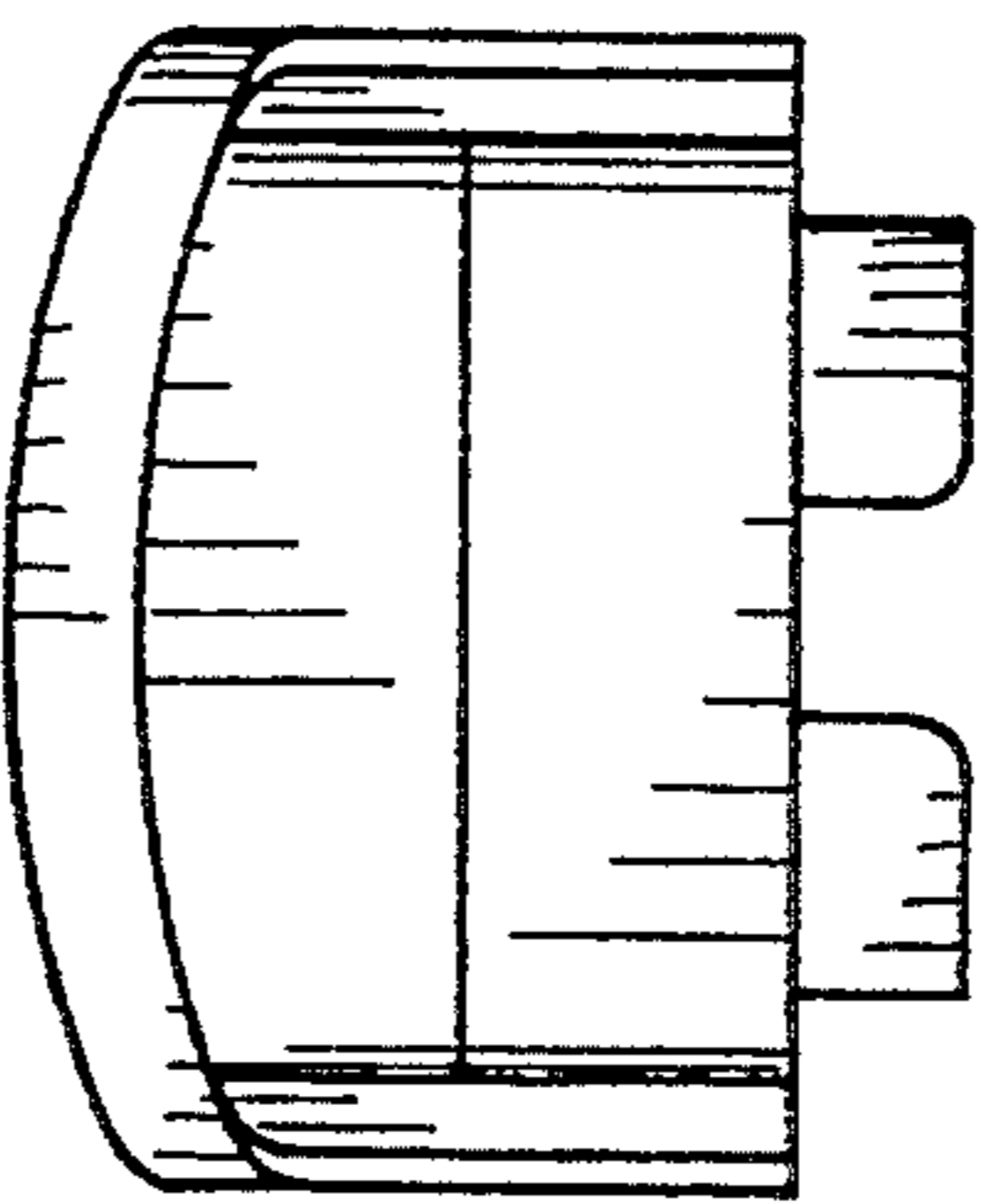


FIG. 6

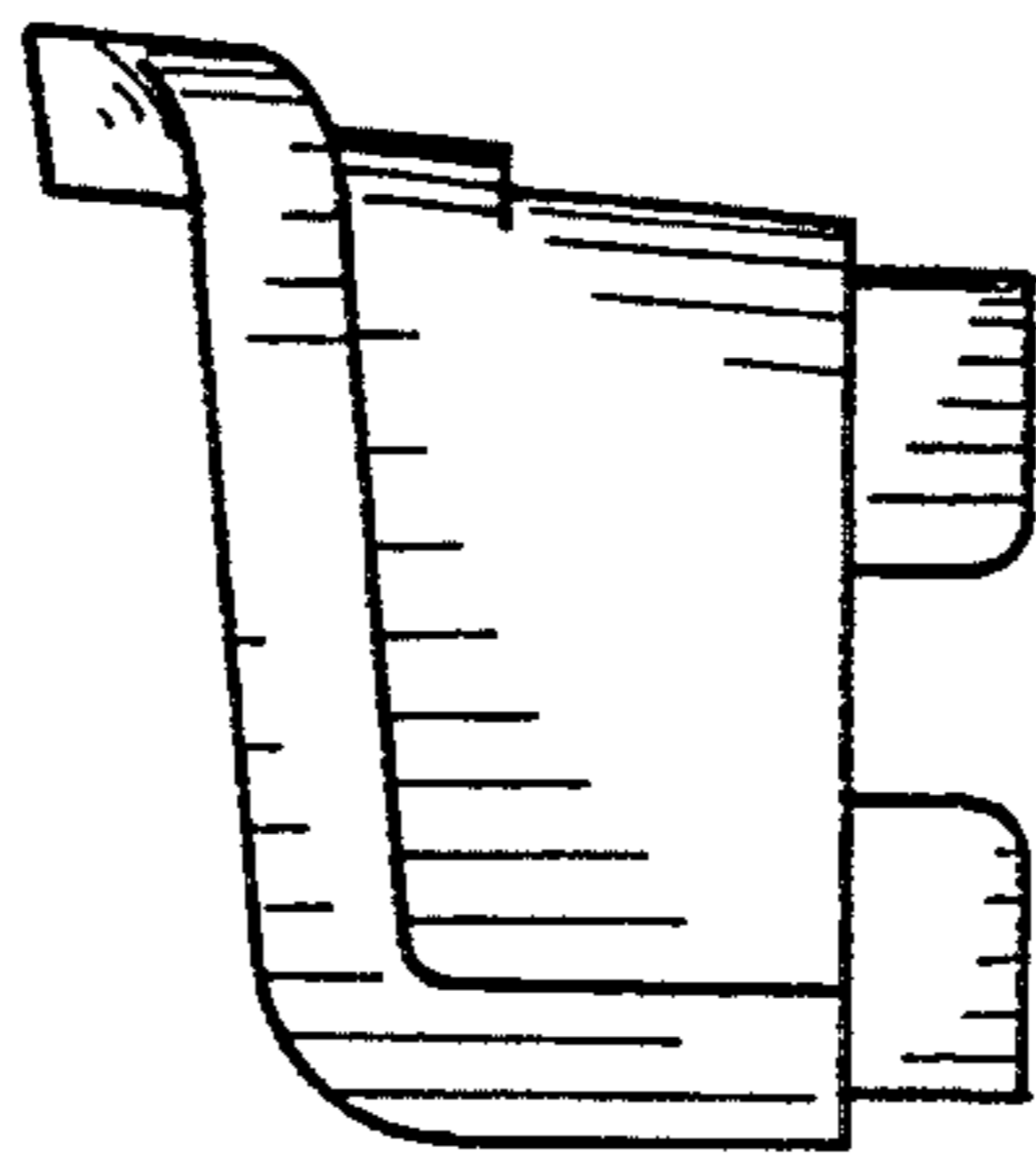


FIG. 5

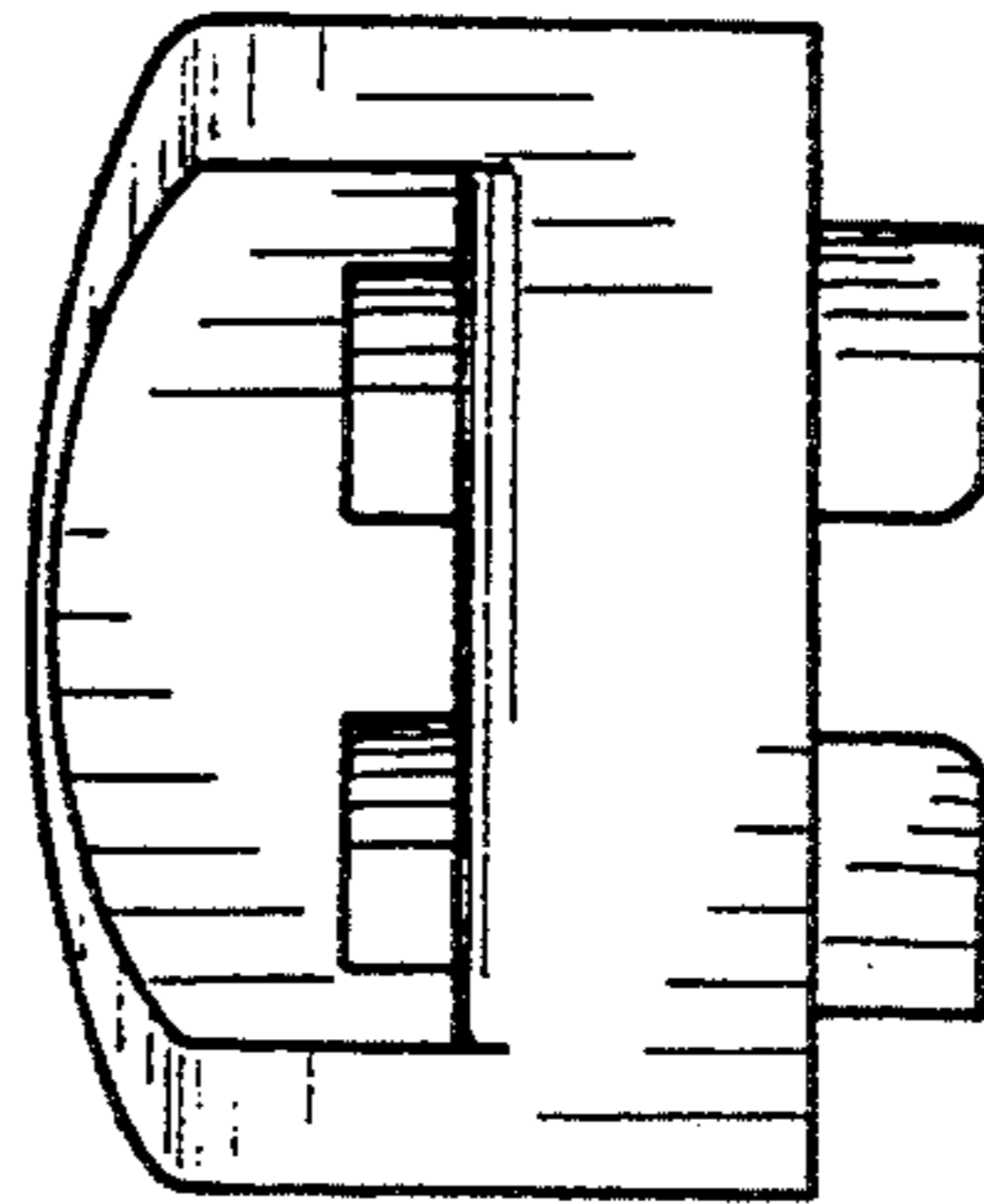


FIG. 4

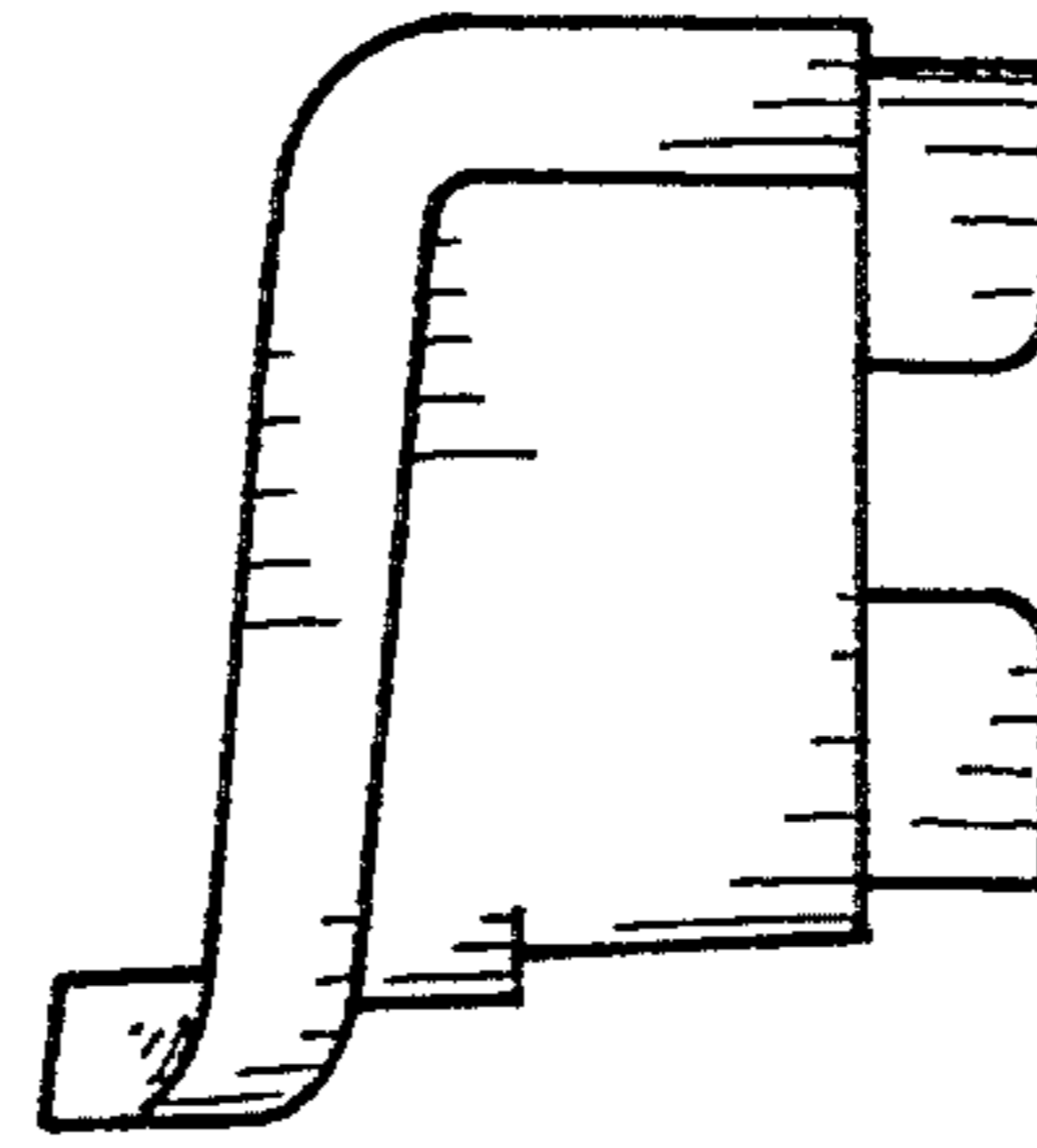


FIG. 3

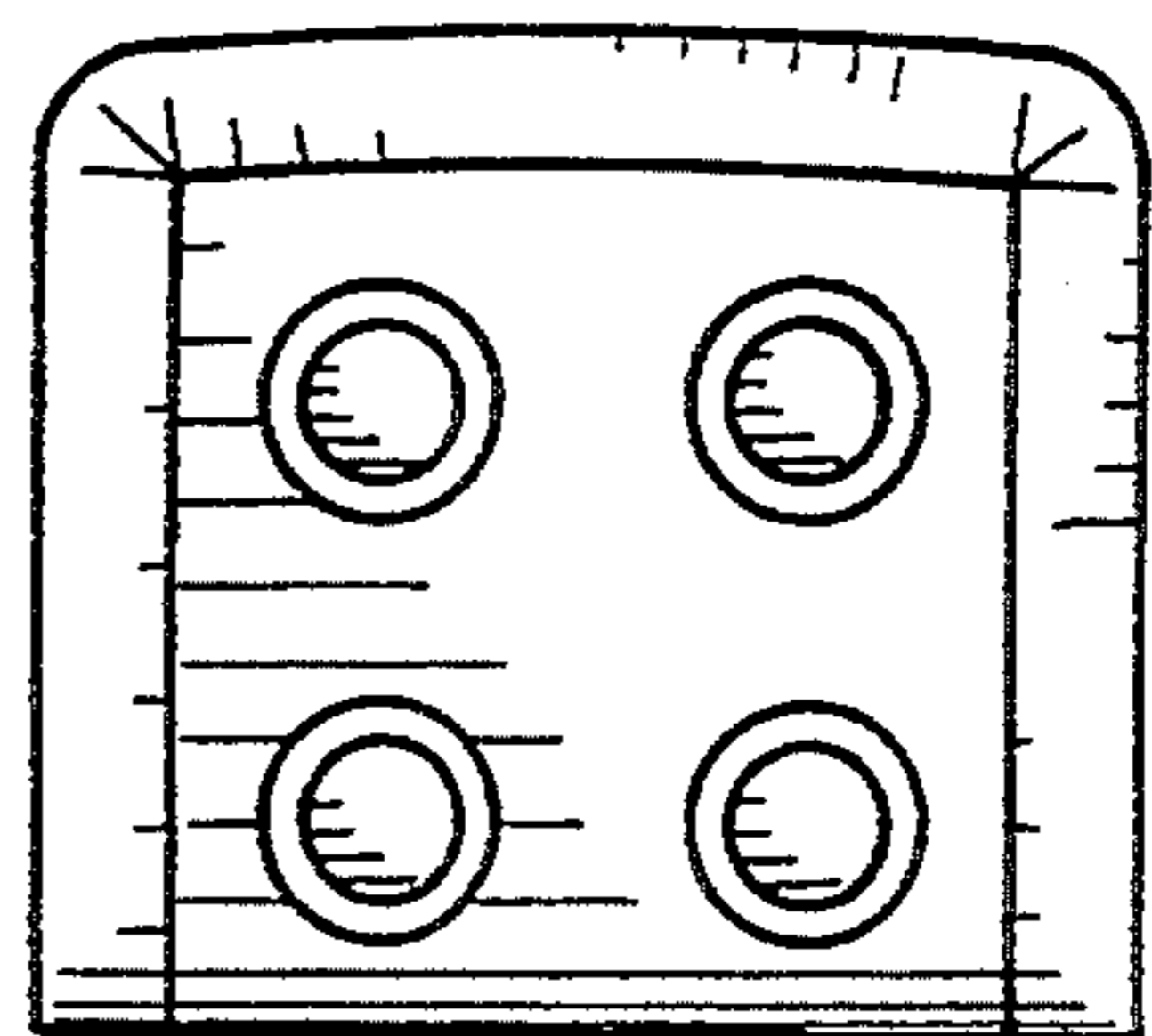


FIG. 7