



US00D357717S

# United States Patent [19]

[11] Patent Number: Des. 357,717

Nielsen et al.

[45] Date of Patent: \*\* Apr. 25, 1995

## [54] SOFA FOR A TOY BUILDING SET

[75] Inventors: **Henrik K. Nielsen**, Copenhagen S;  
**Synnove Vatakar**, Søborg, both of  
Denmark

[73] Assignee: **Interlego AG**, Baar, Switzerland

[\*\*] Term: **14 Years**

[21] Appl. No.: **13,312**

[22] Filed: **Sep. 22, 1993**

[52] U.S. Cl. .... **D21/123**

[58] Field of Search ..... **D21/108, 109, 111, 114,  
D21/121, 123; D6/480, 334, 381; D12/6;  
446/107, 111, 116, 121, 125, 128, 141, 268, 296,  
322, 323, 479, 482, 490**

### [56] References Cited

#### U.S. PATENT DOCUMENTS

D. 291,219 8/1987 Ryaa ..... D21/108

#### FOREIGN PATENT DOCUMENTS

133178 5/1933 Germany ..... 446/479

## OTHER PUBLICATIONS

Storm Becker Playthings Catalog 1934 p. 4 middle of  
page-sofa.

Childcraft Fall 1991 p. 40 top center of page-sofa.

Constructive Playthings catalog p. 6 1992 top of  
page-sofa.

*Primary Examiner*—Terry A. Wallace

*Assistant Examiner*—R. Barkai

*Attorney, Agent, or Firm*—Kane, Dalsimer, Sullivan,  
Kurucz, Levy, Eisele and Richard

## [57] CLAIM

The ornamental design for a sofa for a toy building set,  
as shown and described.

## DESCRIPTION

FIG. 1 is a top perspective view of the sofa for a toy  
building set showing our new design;

FIG. 2 is a bottom perspective view thereof;

FIG. 3 is a right side elevational view thereof;

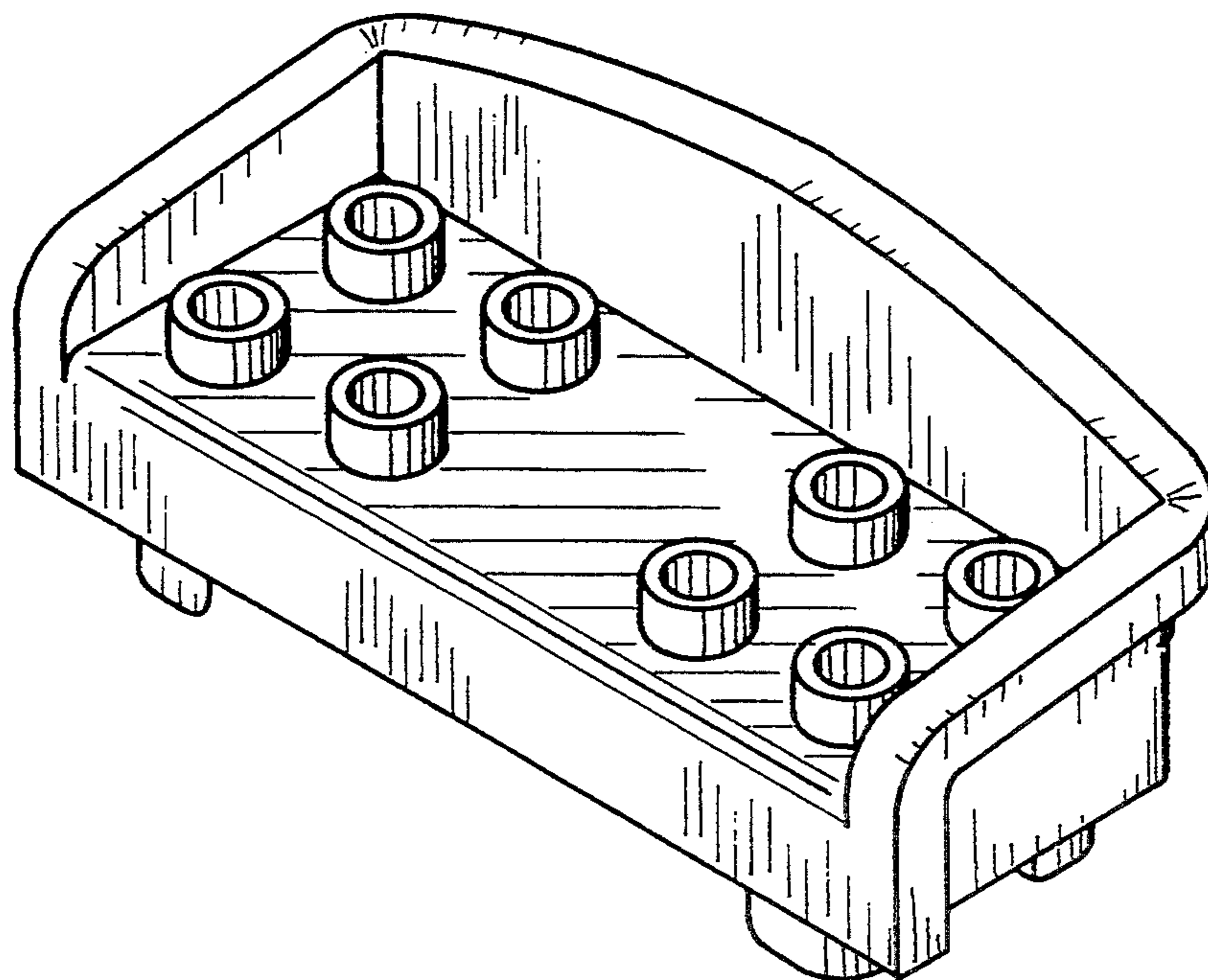
FIG. 4 is a front elevational view thereof;

FIG. 5 is a left side elevational view thereof;

FIG. 6 is a rear elevational view thereof;

FIG. 7 is a top plan view thereof; and,

FIG. 8 is a bottom plan view thereof.



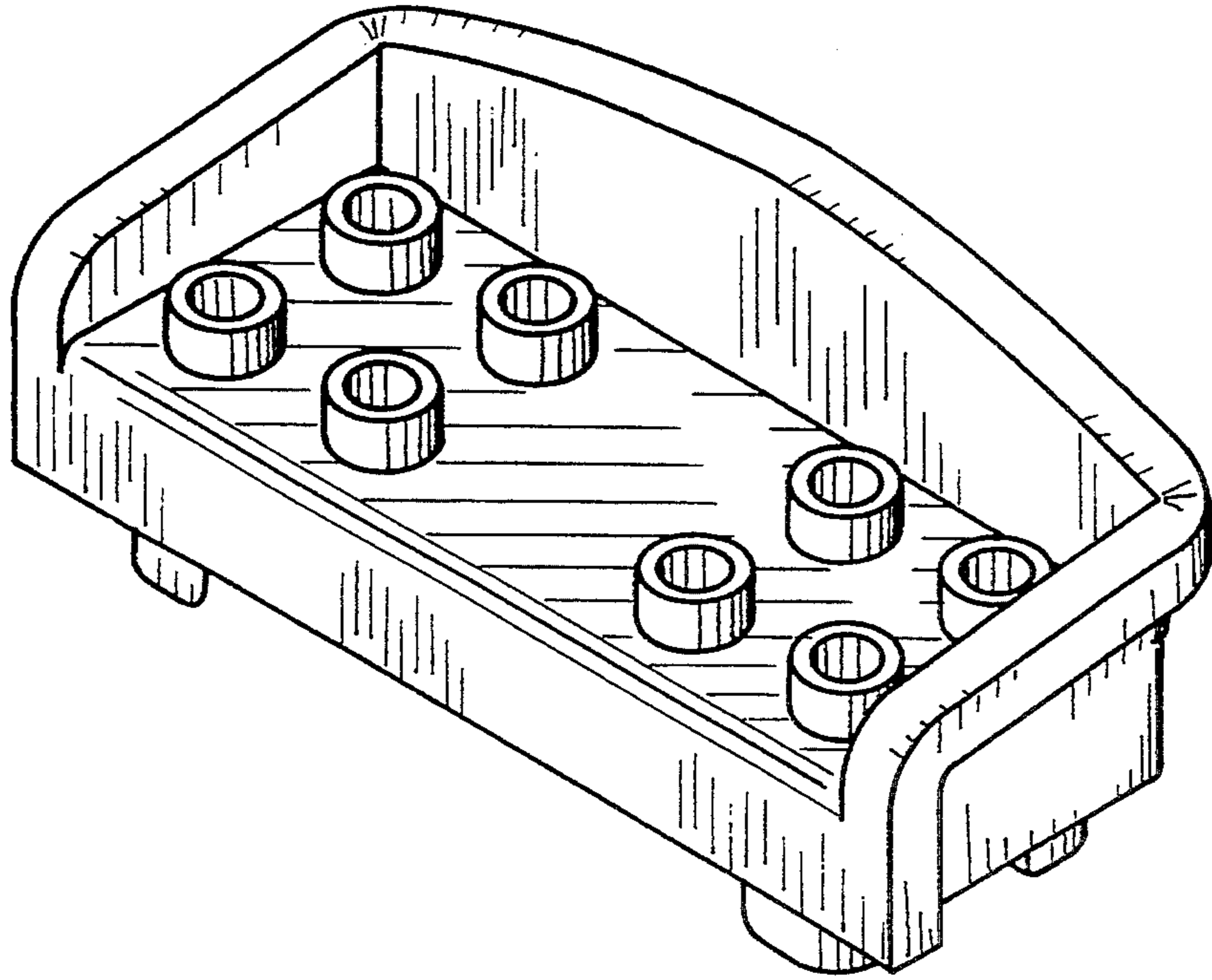


FIG. 1

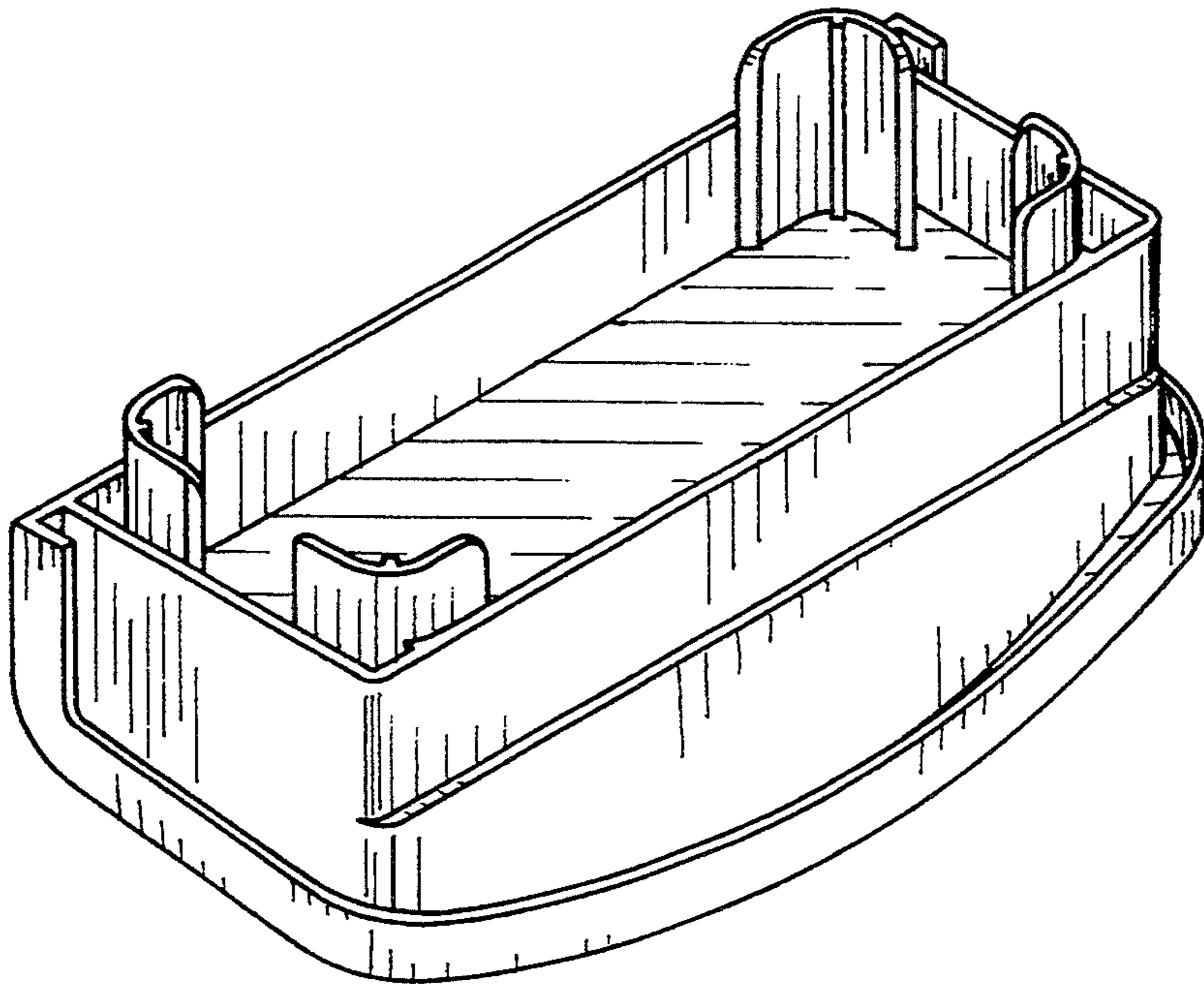


FIG. 2

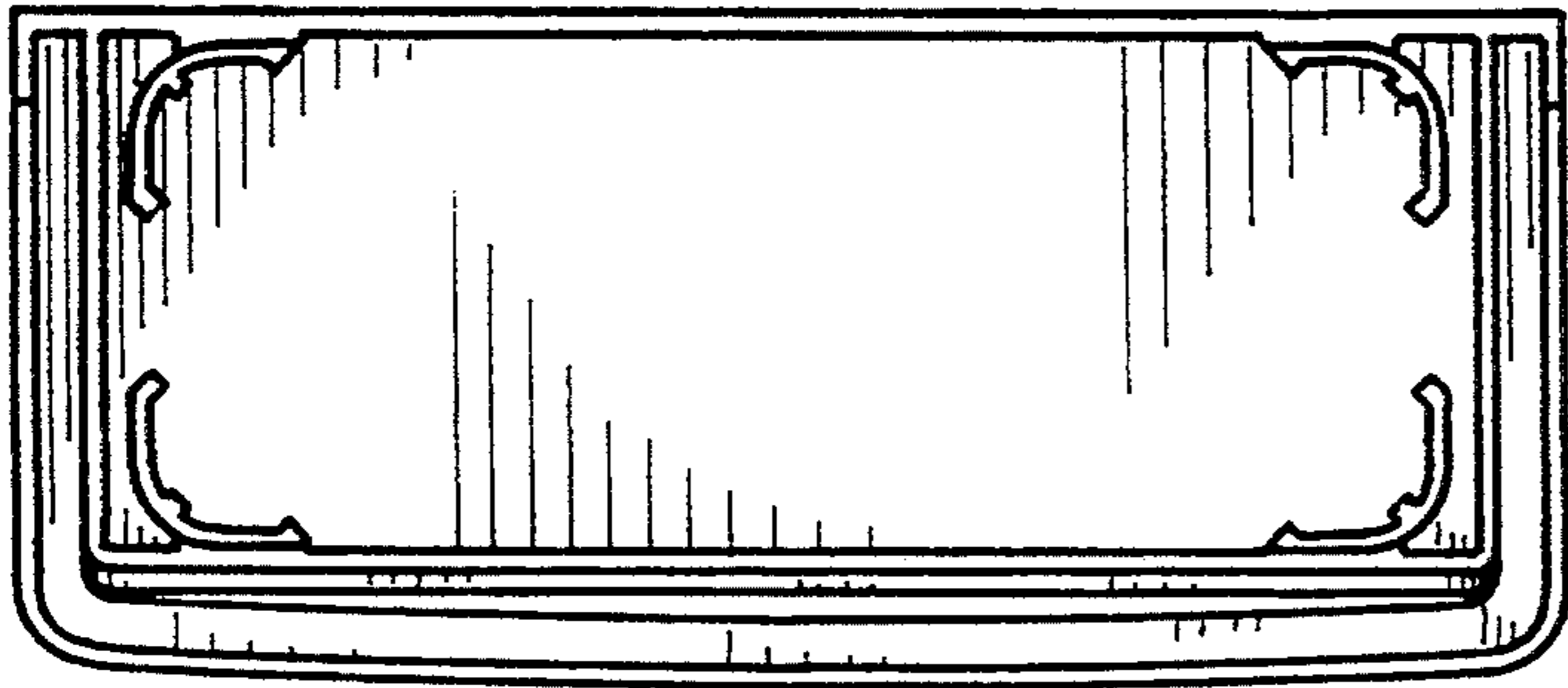


FIG. 8

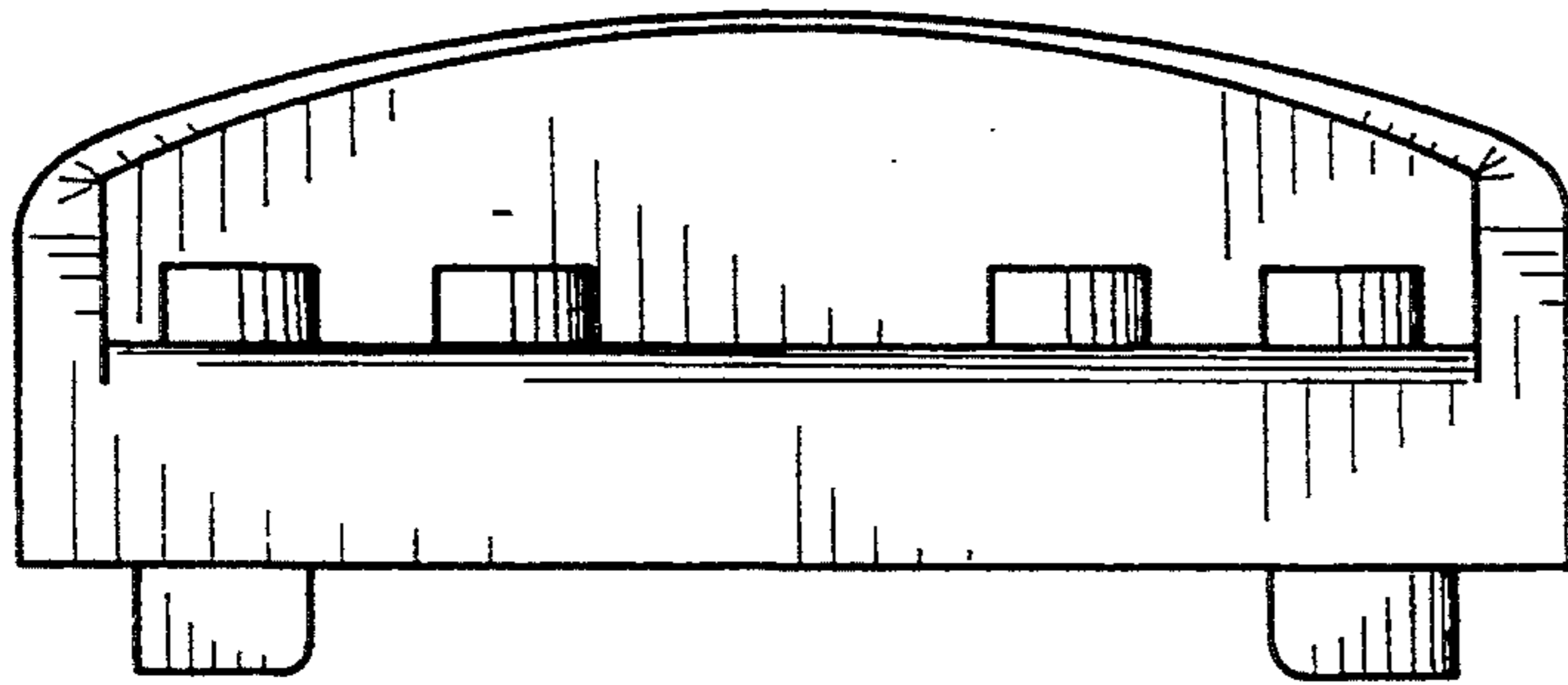


FIG. 4

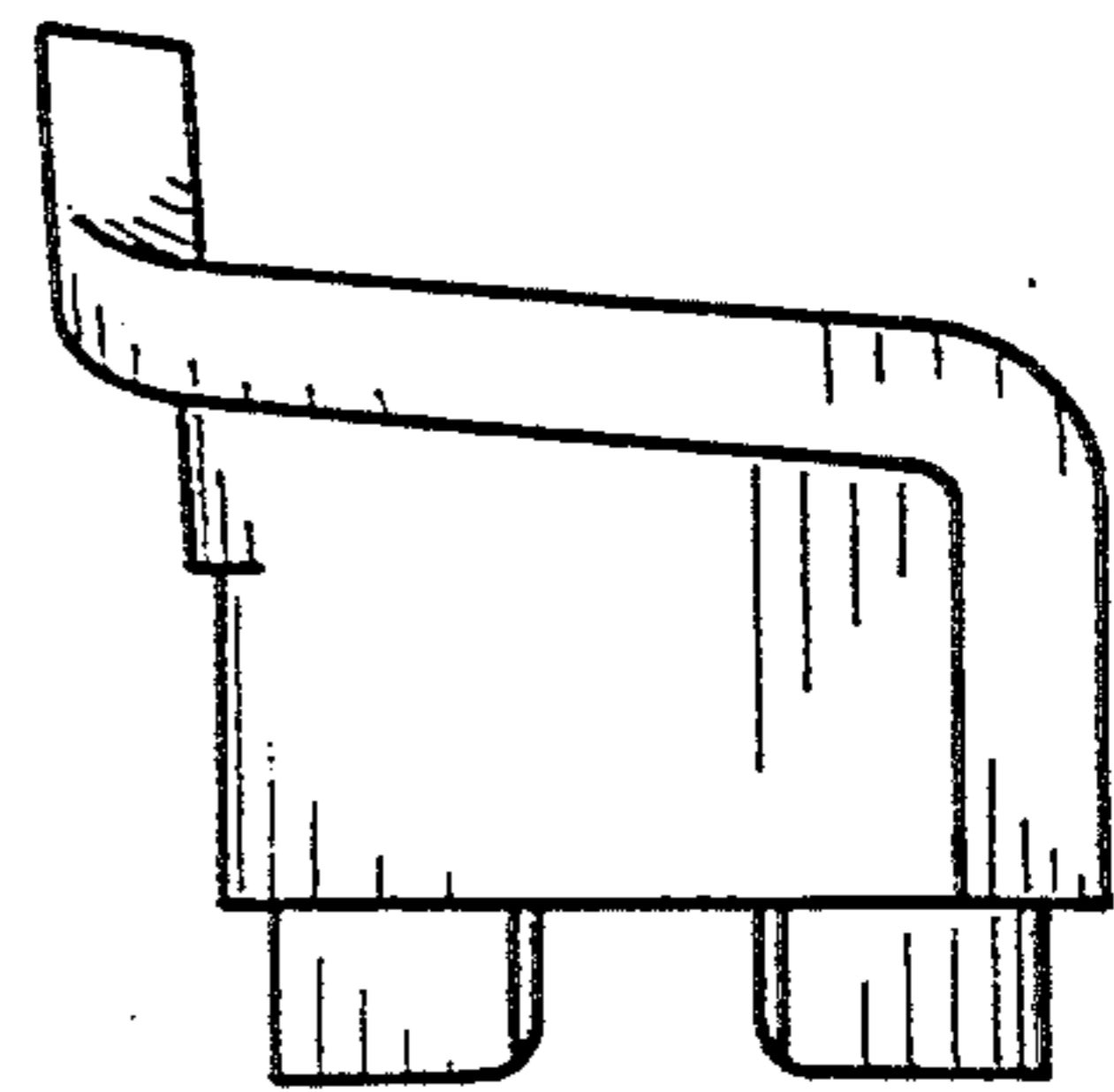


FIG. 3

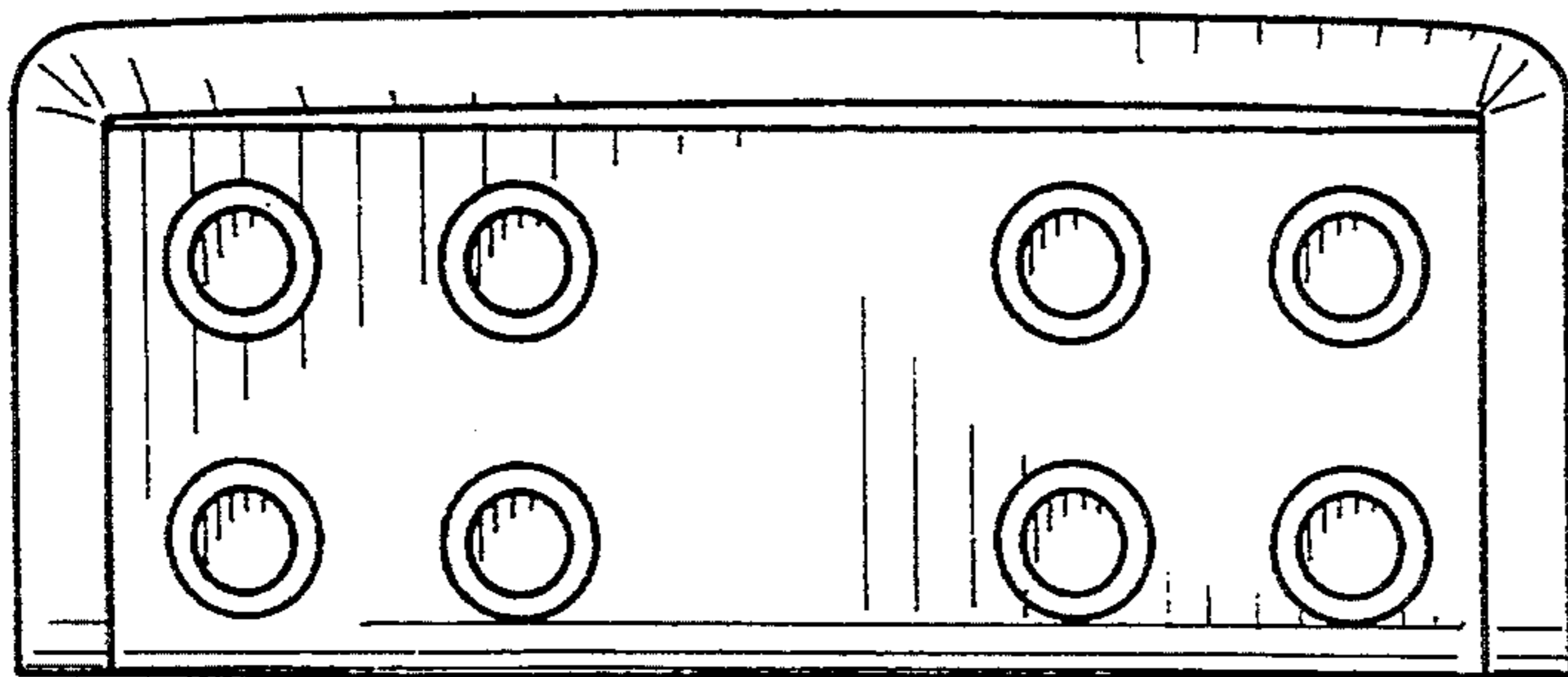


FIG. 7

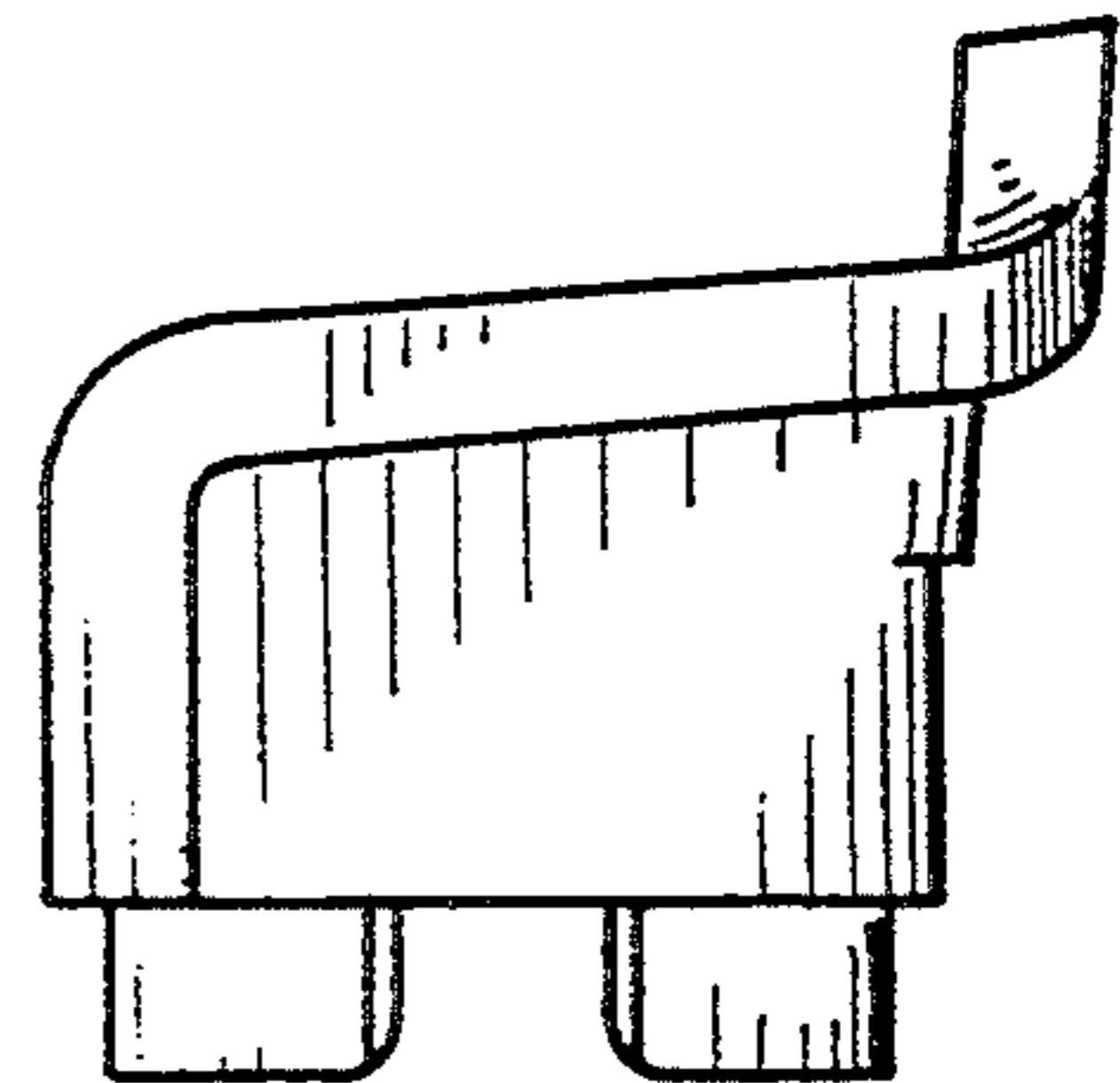


FIG. 5

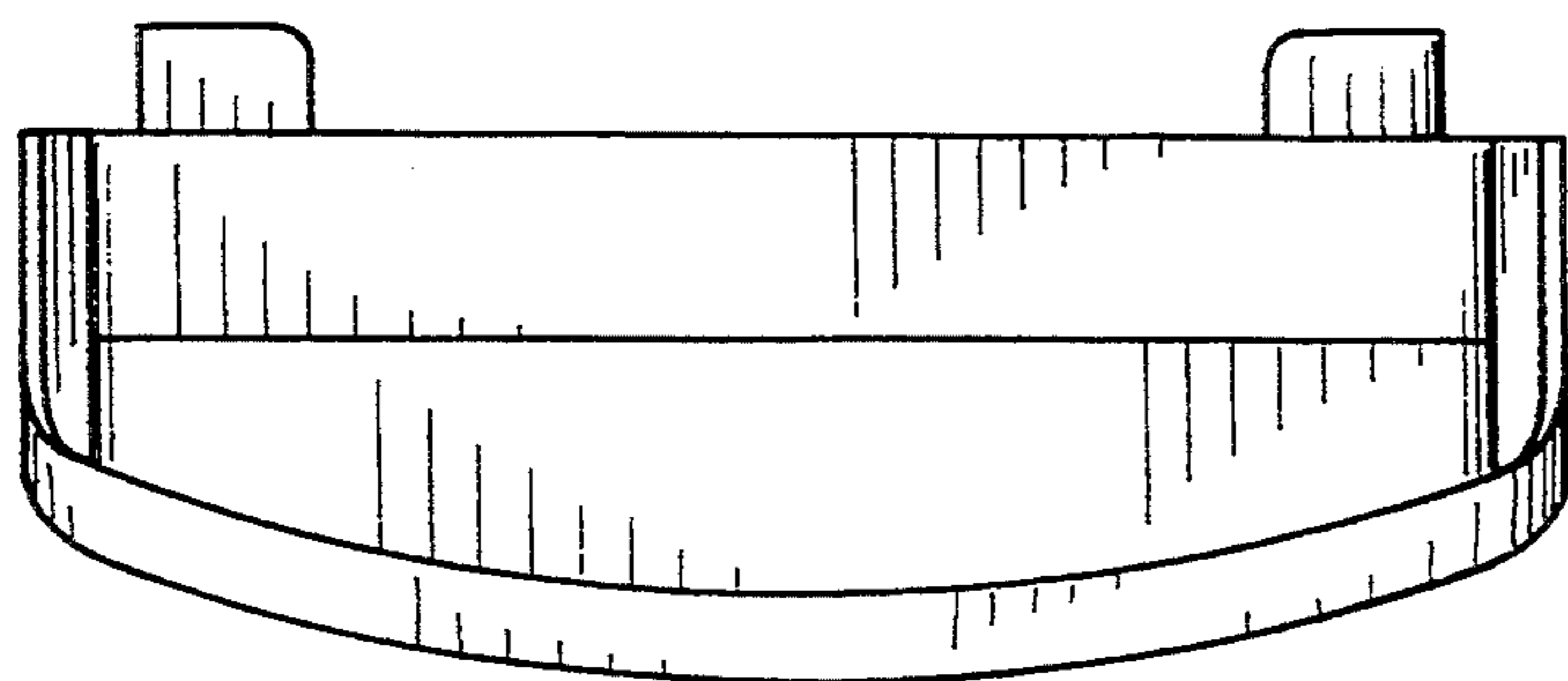


FIG. 6